

US00D635545S

(12) **United States Design Patent**
Sakai

(10) **Patent No.:** **US D635,545 S**

(45) **Date of Patent:** **** Apr. 5, 2011**

(54) **VOICE RECORDING/REPRODUCING
DEVICE**

(75) Inventor: **Koji Sakai**, Hachioji (JP)

(73) Assignee: **Olympus Imaging Corp**, Tokyo (JP)

(**) Term: **14 Years**

(21) Appl. No.: **29/368,769**

(22) Filed: **Aug. 30, 2010**

(30) **Foreign Application Priority Data**

Jul. 26, 2010 (JP) 2010-018061

(51) **LOC (9) Cl.** **14-01**

(52) **U.S. Cl.** **D14/167**

(58) **Field of Classification Search** D14/167,
D14/154, 168, 188, 496, 156, 160, 161, 162,
D14/163, 164, 165, 158, 203.1, 341, 346,
D14/342, 345, 225, 226, 228, 227, 214, 247,
D14/203.7; 455/351, 350; D19/60, 62; D21/330;
369/44.14, 44.32; 700/94
See application file for complete search history.

(56) **References Cited**

U.S. PATENT DOCUMENTS

D472,483 S *	4/2003	Disch	D10/80
D475,042 S *	5/2003	Lehtonen	D14/247
D504,691 S *	5/2005	Ohno	D14/496
D513,512 S *	1/2006	Tsai	D14/203.7
D516,577 S *	3/2006	Matsuoka	D14/496
D531,990 S *	11/2006	Kobayashi	D14/217
D553,640 S *	10/2007	Kimura et al.	D14/496
D560,683 S *	1/2008	Lee	D14/496

D571,762 S *	6/2008	Lee et al.	D14/138 AD
D590,801 S *	4/2009	Kim et al.	D14/138 AD
D601,552 S *	10/2009	Christiansen et al.	D14/247
D604,726 S *	11/2009	Miles et al.	D14/247
D605,165 S *	12/2009	Sheba et al.	D14/203.7
D605,167 S *	12/2009	Sheba et al.	D14/203.7

OTHER PUBLICATIONS

U.S. Appl. No. 29/368,764; First Named Inventor: Koji Sakai; Title: "Voice Recording/Reproducing Device"; filed Aug. 30, 2010.

U.S. Appl. No. 29/368,770; First Named Inventor: Koji Sakai; Title: "Voice Recording/Reproducing Device"; filed Aug. 30, 2010.

* cited by examiner

Primary Examiner — Austin Murphy

(74) *Attorney, Agent, or Firm* — Holtz, Holtz, Goodman & Chick, PC

(57) **CLAIM**

The ornamental design for a voice recording/reproducing device, as shown and described.

DESCRIPTION

FIG. 1 is a front and top right perspective view of the voice recording/reproducing device showing my new design; FIG. 2 is a front elevational view thereof; FIG. 3 is a rear elevational view thereof; FIG. 4 is a top plan view thereof; FIG. 5 is a bottom plan view thereof; FIG. 6 is a right side view thereof; and, FIG. 7 is a left side view thereof.

The broken lines showing in the drawings represent portions of the voice recording/reproducing device that form no part of the claimed design.

1 Claim, 5 Drawing Sheets

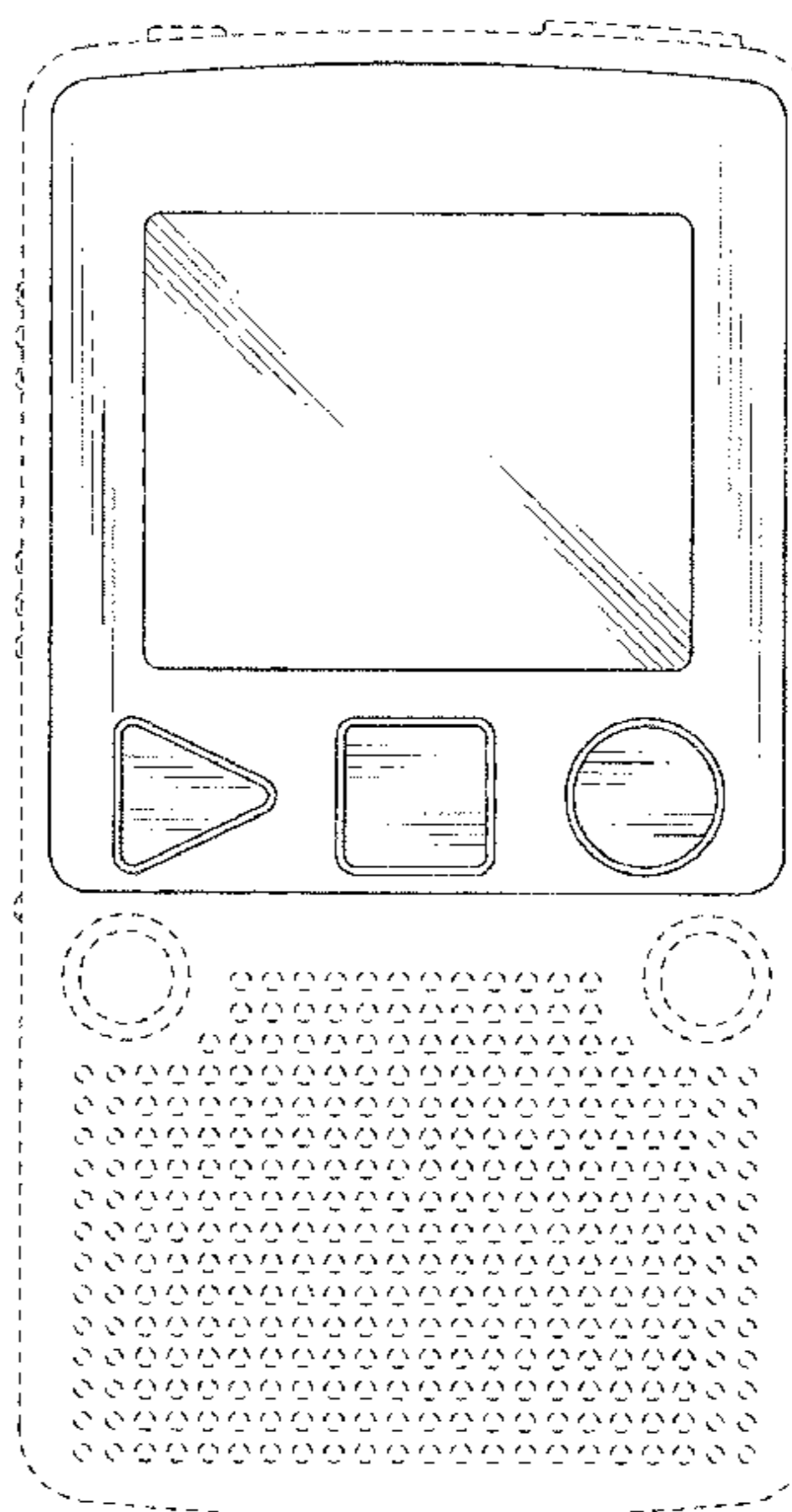
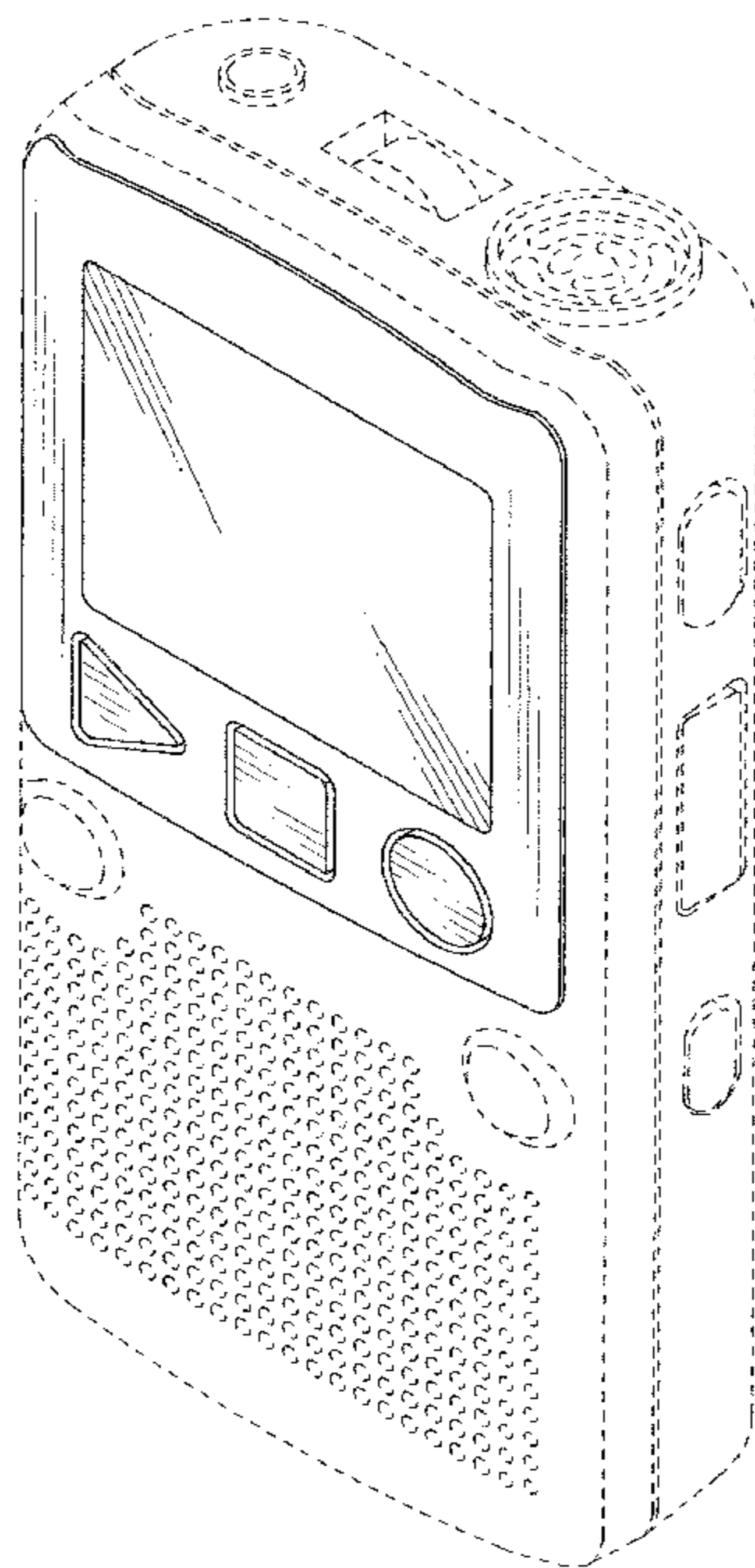


FIG. 1

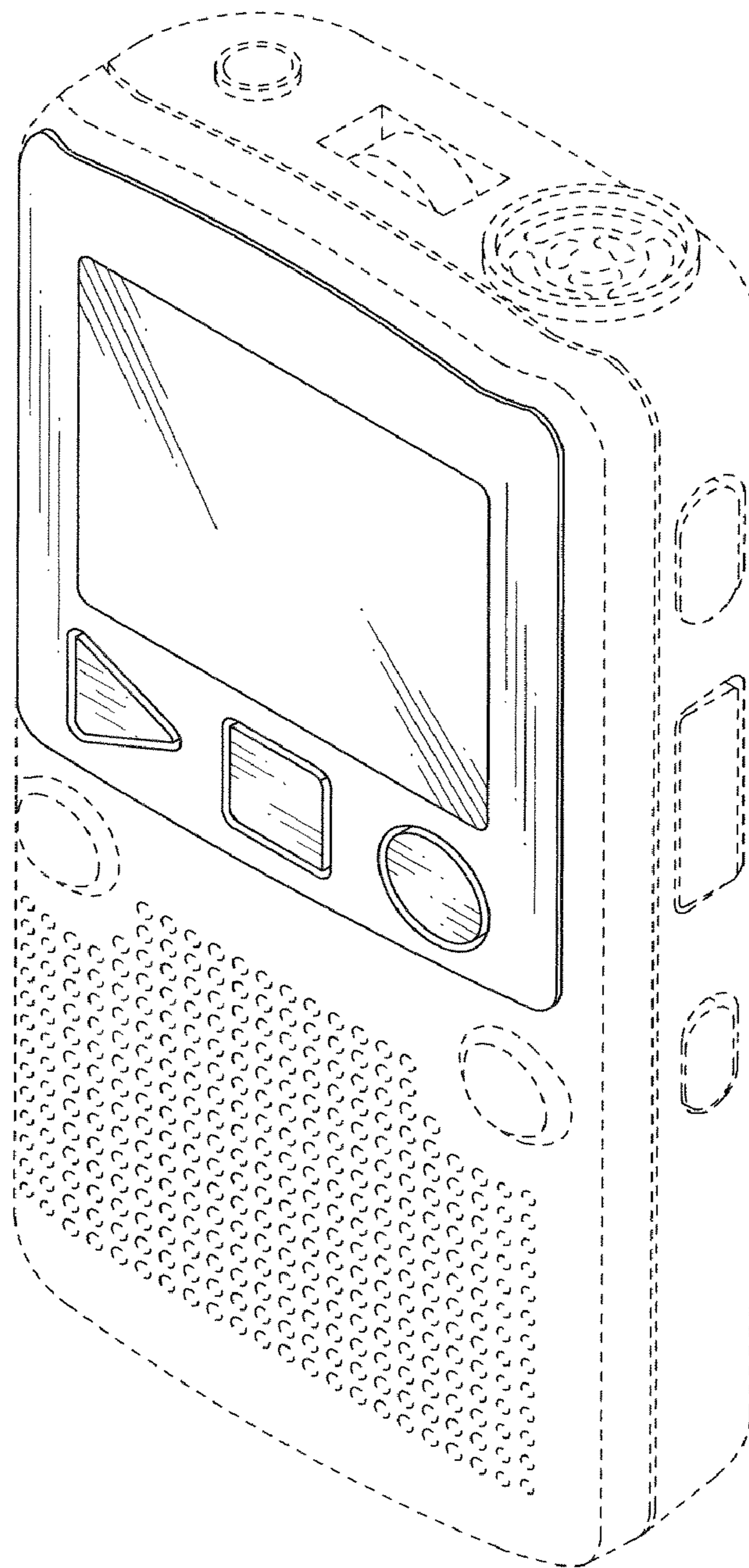


FIG. 2

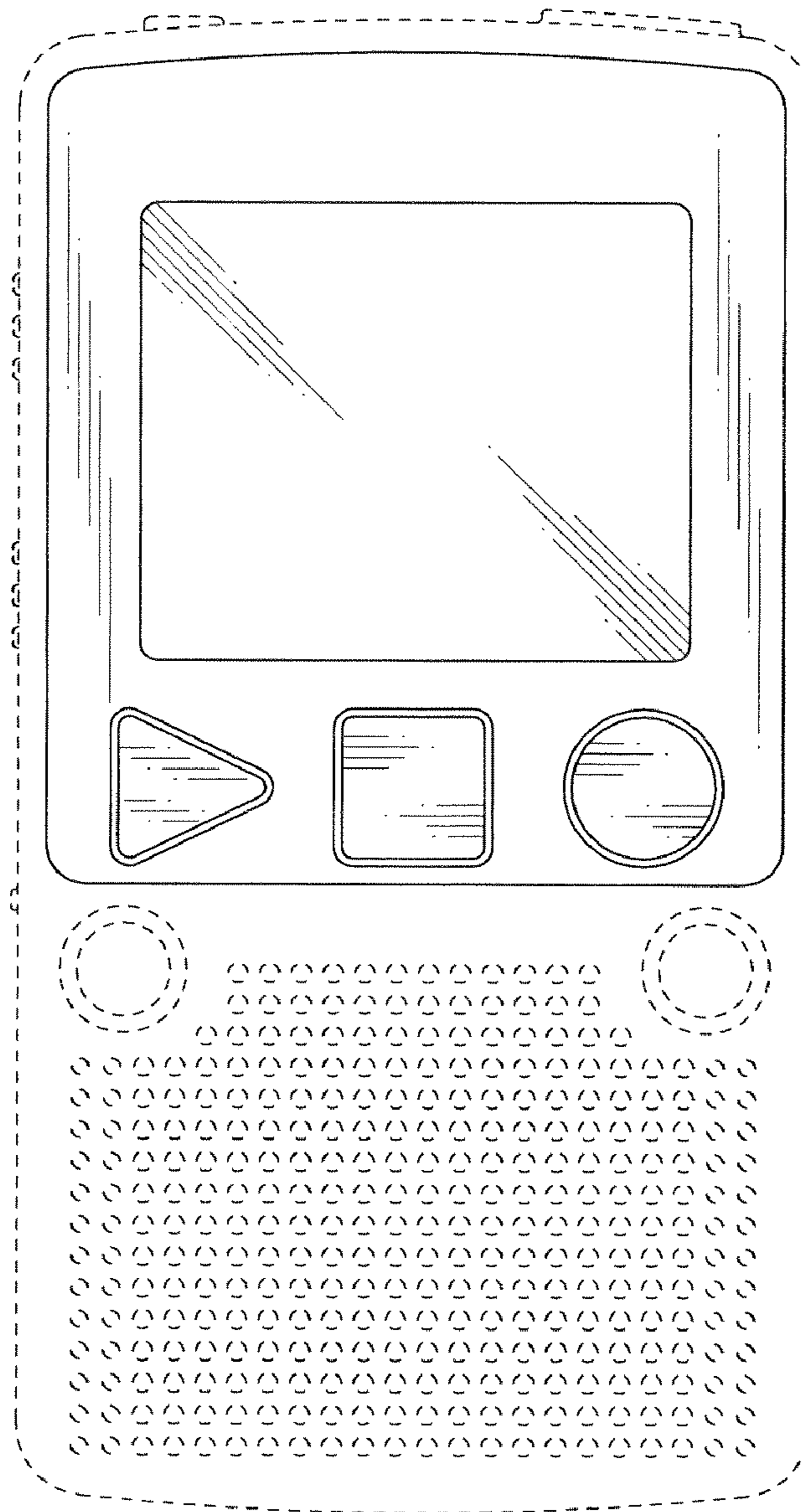


FIG.3

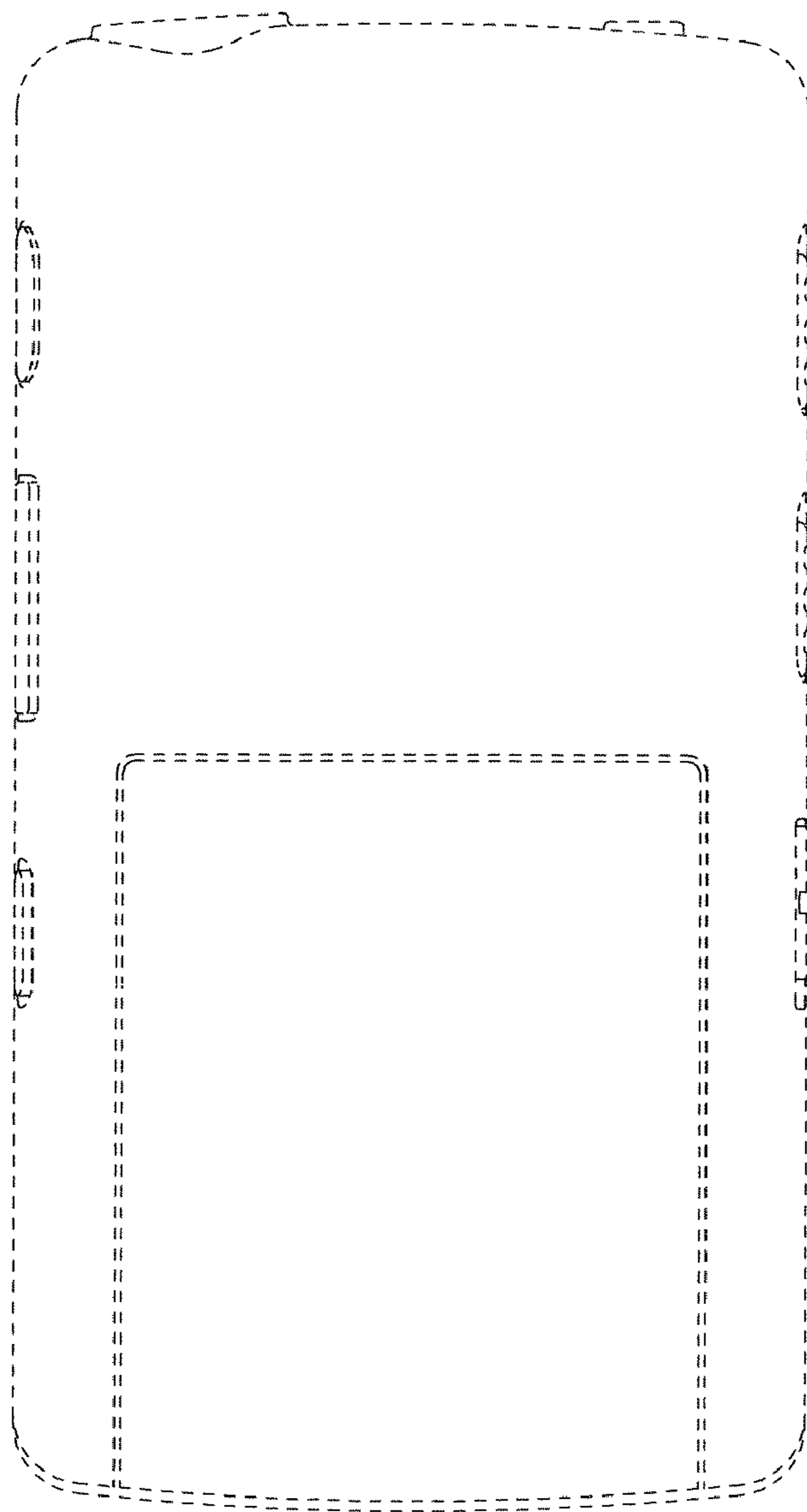


FIG.4

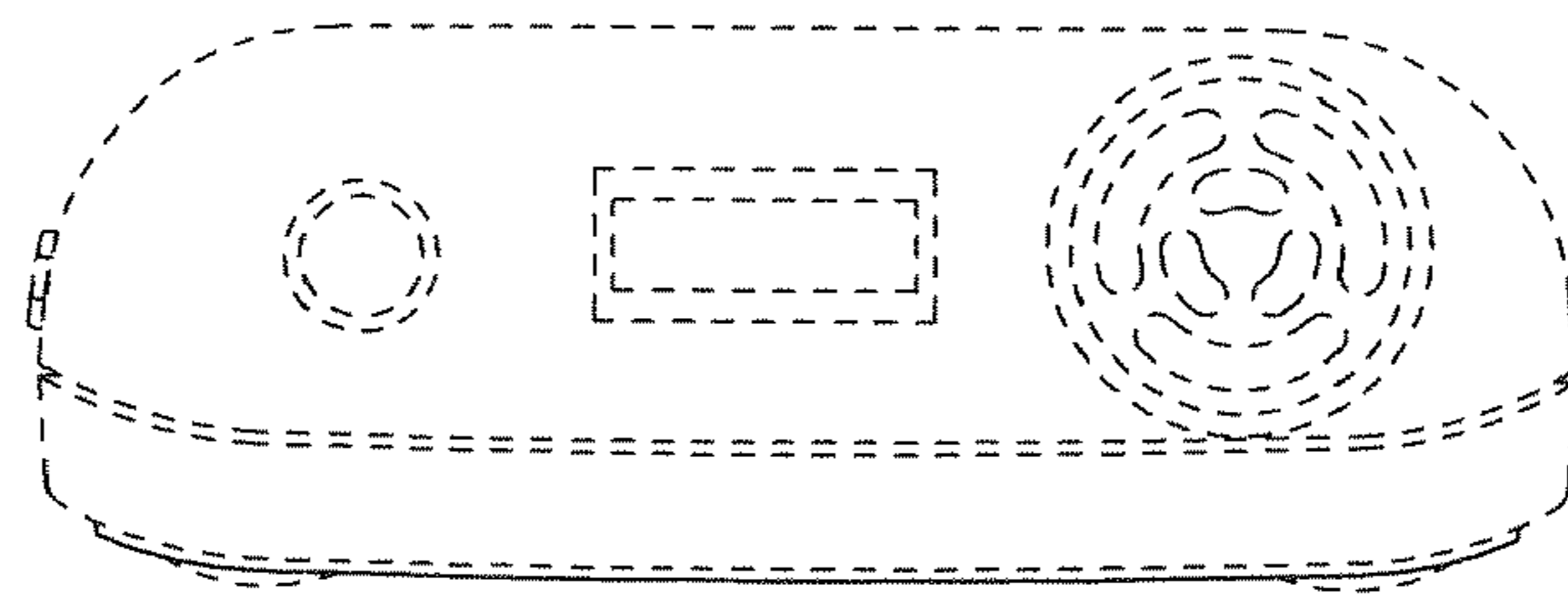


FIG.5

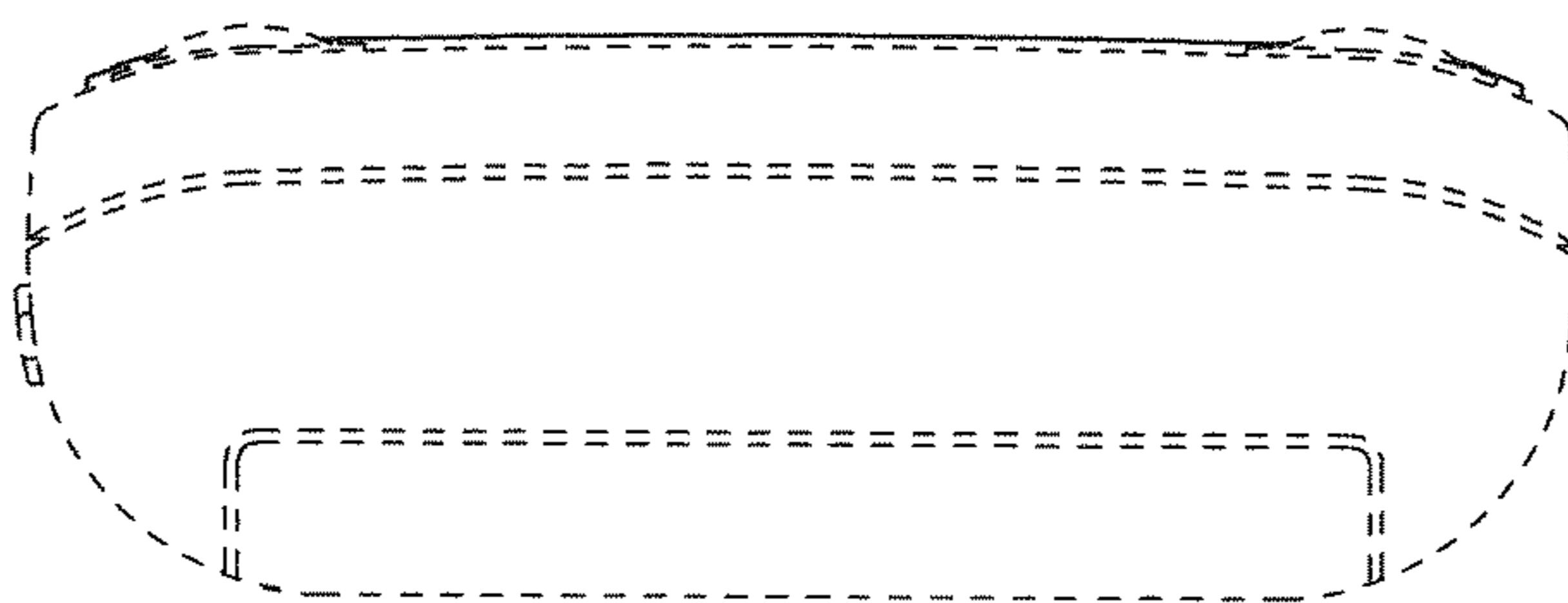


FIG.6

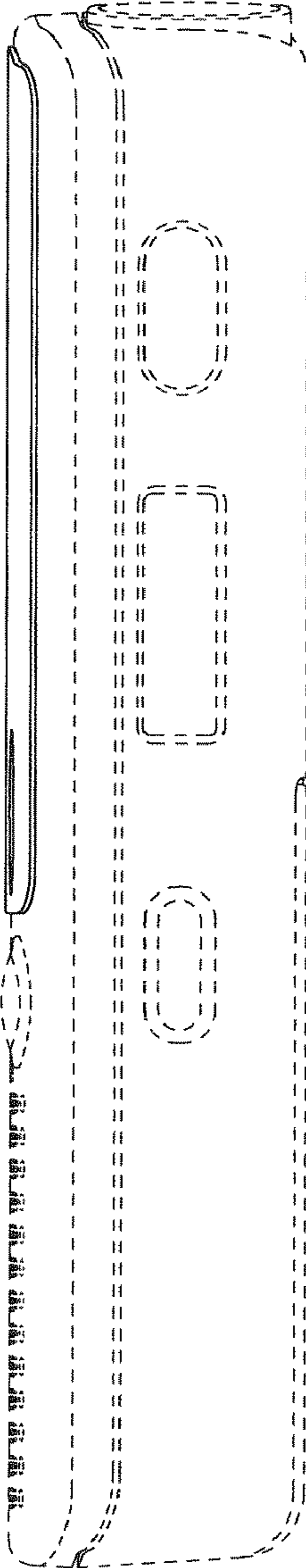


FIG.7

