



US00D635542S

(12) **United States Design Patent**
Park et al.

(10) **Patent No.:** **US D635,542 S**

(45) **Date of Patent:** **** Apr. 5, 2011**

(54) **MOBILE PHONE**

(75) Inventors: **Chan Woo Park**, Gyeonggi-do (KR);
Sha Rim Choe, Seoul (KR)

(73) Assignee: **LG Electronics Inc.**, Seoul (KR)

(**) Term: **14 Years**

(21) Appl. No.: **29/366,452**

(22) Filed: **Jul. 26, 2010**

(30) **Foreign Application Priority Data**

Jan. 27, 2010 (KR) 30-2010-0003462

(51) **LOC (9) Cl.** **14-03**

(52) **U.S. Cl.** **D14/138 AB**

(58) **Field of Classification Search** D14/138 AB,
D14/496, 341, 345, 346, 203.3, 203.4, 203.7,
D14/138 R, 138 AD, 138 G; 455/575.3,
455/556.2; D21/517; 379/433.13

See application file for complete search history.

(56) **References Cited**

U.S. PATENT DOCUMENTS

D508,035 S *	8/2005	Kim et al.	D14/138 AB
D510,079 S *	9/2005	Kim et al.	D14/138 AB
D512,038 S *	11/2005	Kim et al.	D14/138 AB
7,269,443 B2 *	9/2007	Park et al.	455/556.2
D563,365 S *	3/2008	Kim	D14/138 AB
D571,343 S *	6/2008	Cha et al.	D14/138 AB
D571,771 S *	6/2008	Kim et al.	D14/138 AB
D574,352 S *	8/2008	Cha et al.	D14/138 AB
D576,594 S *	9/2008	Lee et al.	D14/138 AB
D578,978 S *	10/2008	Kim et al.	D14/138 AB
D582,877 S *	12/2008	Lee et al.	D14/138 AB
D582,881 S *	12/2008	Son et al.	D14/138 AB
D583,794 S *	12/2008	Lee et al.	D14/138 AB
D601,996 S *	10/2009	Jeoung et al.	D14/138 AB
D601,997 S *	10/2009	Kim et al.	D14/138 AB
D603,819 S *	11/2009	Yoon	D14/138 AB
D603,825 S *	11/2009	Jeoung et al.	D14/138 AB
D613,711 S *	4/2010	Ryu	D14/138 AB

D615,064 S *	5/2010	Kim et al.	D14/138 AB
D615,065 S *	5/2010	Kim et al.	D14/138 AB
D615,518 S *	5/2010	Ryu	D14/138 AB
2004/0106439 A1 *	6/2004	Garroch	455/566
2007/0004475 A1 *	1/2007	Kuo et al.	455/575.3

OTHER PUBLICATIONS

LG MG295 telephone, announced Jan. 2008, [online], [site visited Nov. 7, 2010]. Available from Internet, <URL: <http://www.gsmarena.com>>.*

LG U370 telephone, announced Mar. 2008, [online], [site visited Nov. 7, 2010]. Available from Internet, <URL: <http://www.gsmarena.com>>.*

Sagem MY C5-2 telephone, announced 4th quarter 2004, [online], [site visited Nov. 7, 2010]. Available from Internet, <URL: <http://www.gsmarena.com>>.*

Samsung E690 telephone, announced Nov. 2006, [online], [site visited Nov. 7, 2010]. Available from Internet, <URL: <http://www.gsmarena.com>>.*

Samsung T139 telephone, announced Nov. 2009, [online], [site visited Nov. 7, 2010]. Available from Internet, <URL: <http://www.gsmarena.com>>.*

* cited by examiner

Primary Examiner — Jeffrey D Asch

(74) *Attorney, Agent, or Firm* — Morgan, Lewis & Bockius LLP

(57) **CLAIM**

The ornamental design for a mobile phone, as shown and described.

DESCRIPTION

FIG. 1 is a perspective view of a mobile phone showing our new design;

FIG. 2 is a front view thereof;

FIG. 3 is a rear view thereof;

FIG. 4 is a left side view thereof;

FIG. 5 is a right side view thereof;

FIG. 6 is a top plan view thereof; and,

FIG. 7 is a bottom plan view thereof.

1 Claim, 6 Drawing Sheets

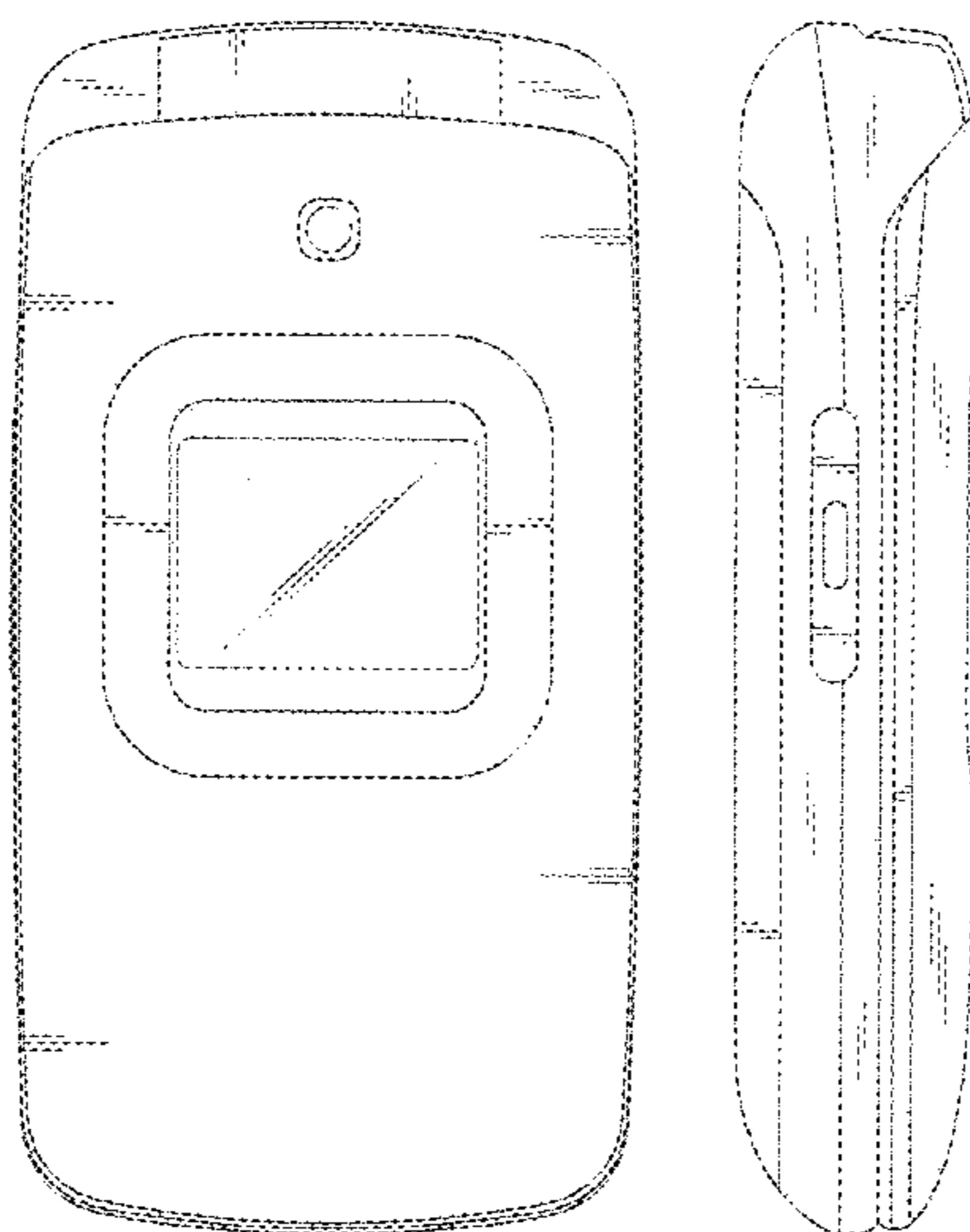


FIG. 1

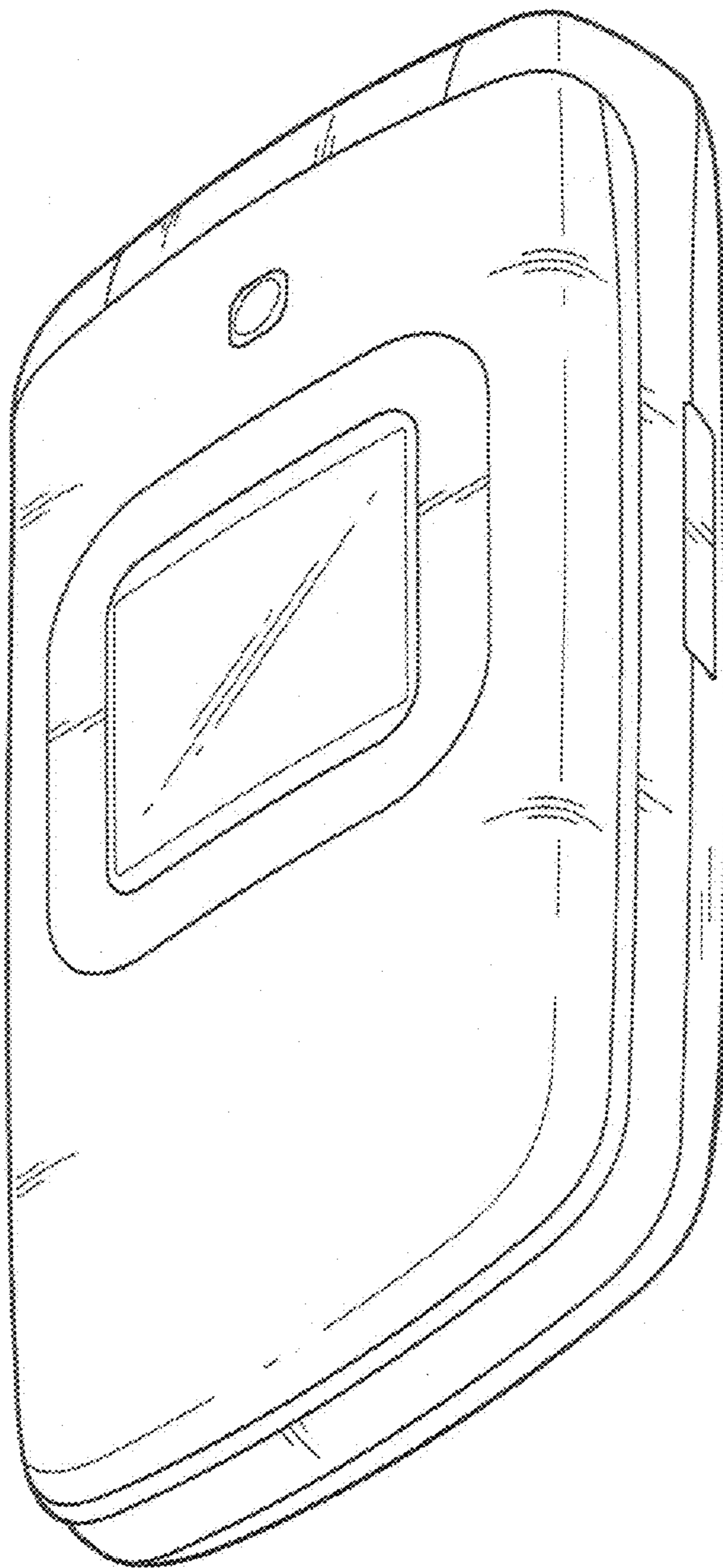


FIG. 2

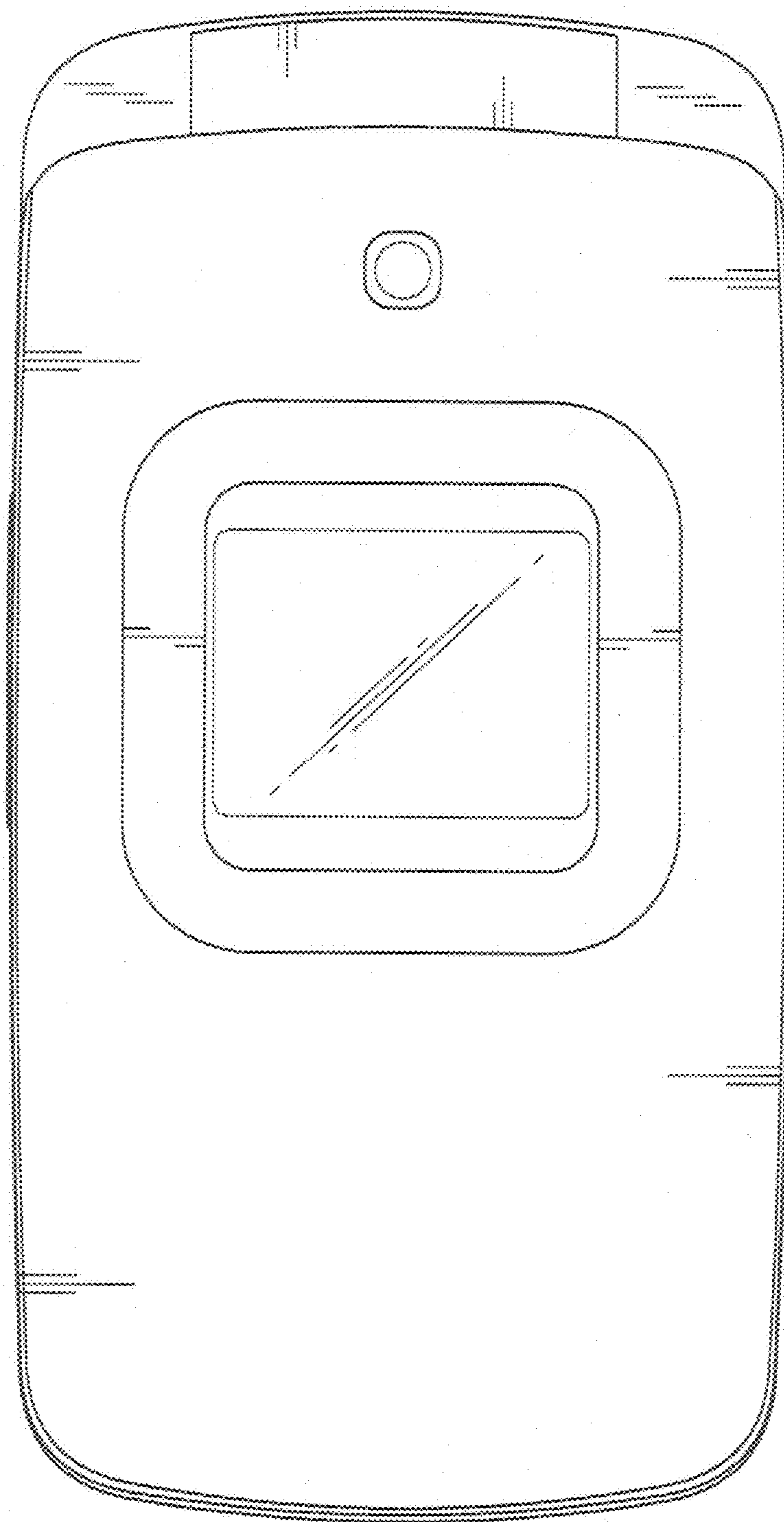


FIG. 3

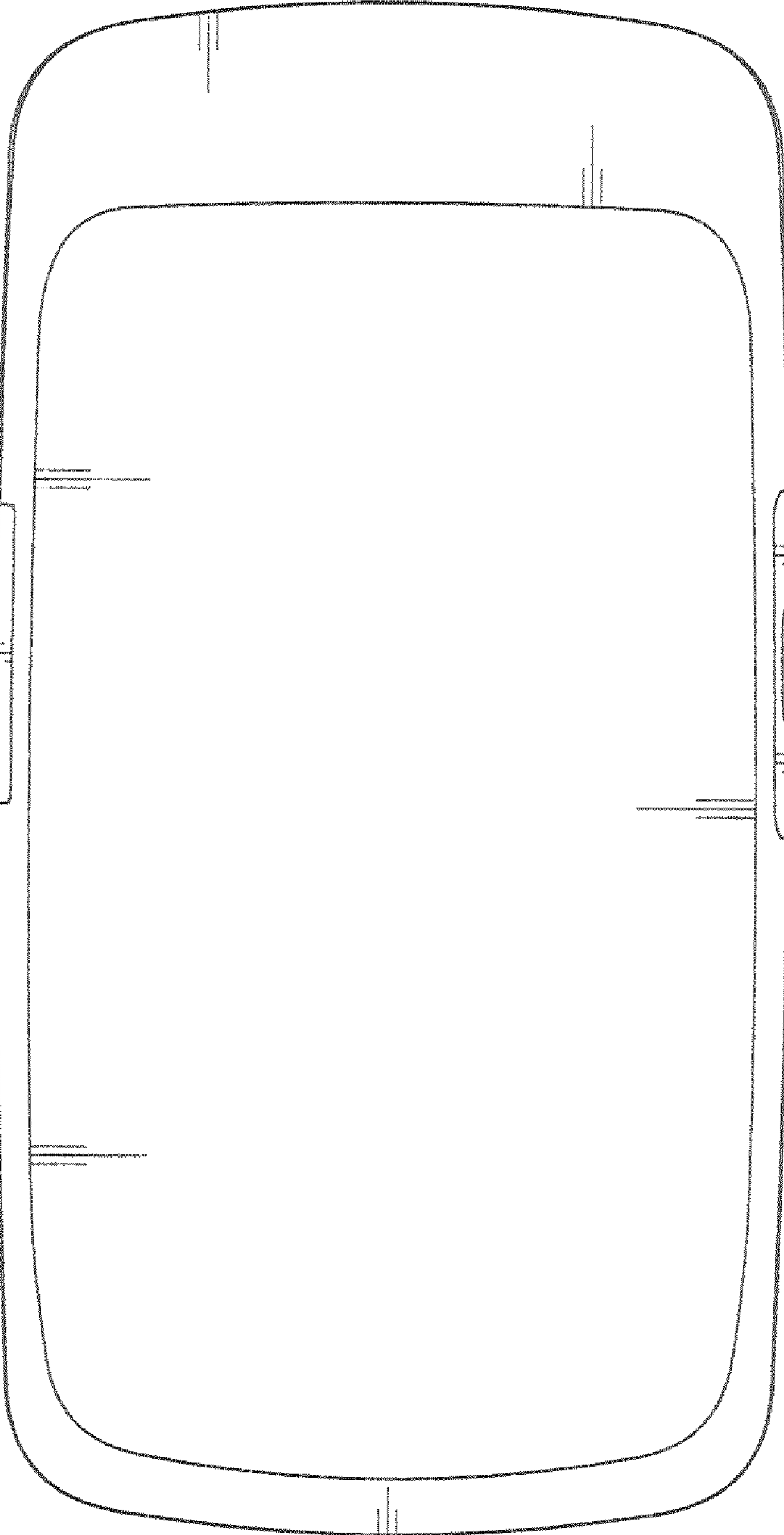


FIG. 4

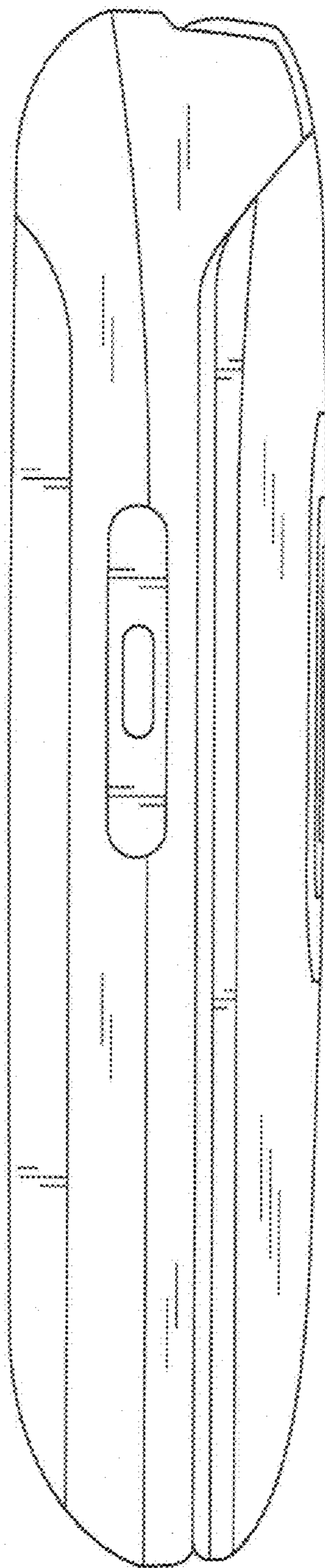


FIG. 5

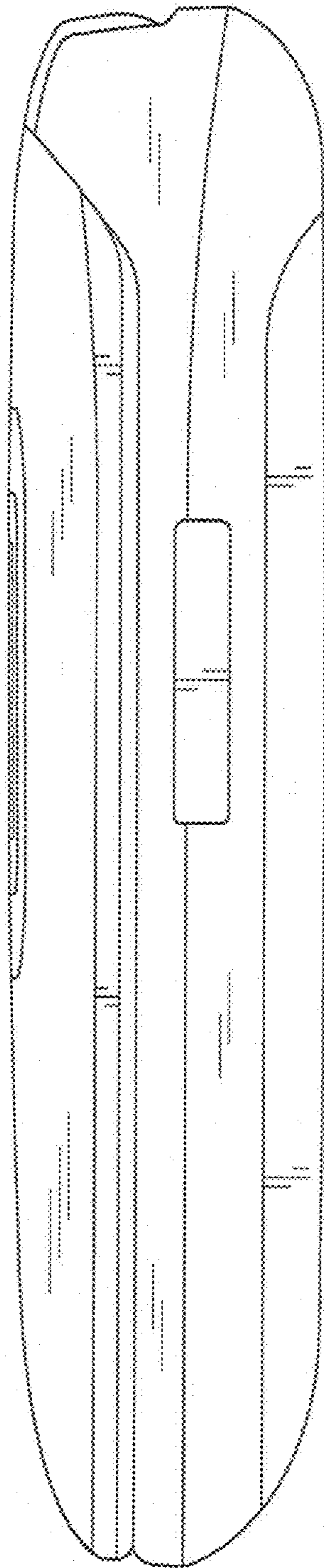


FIG. 6

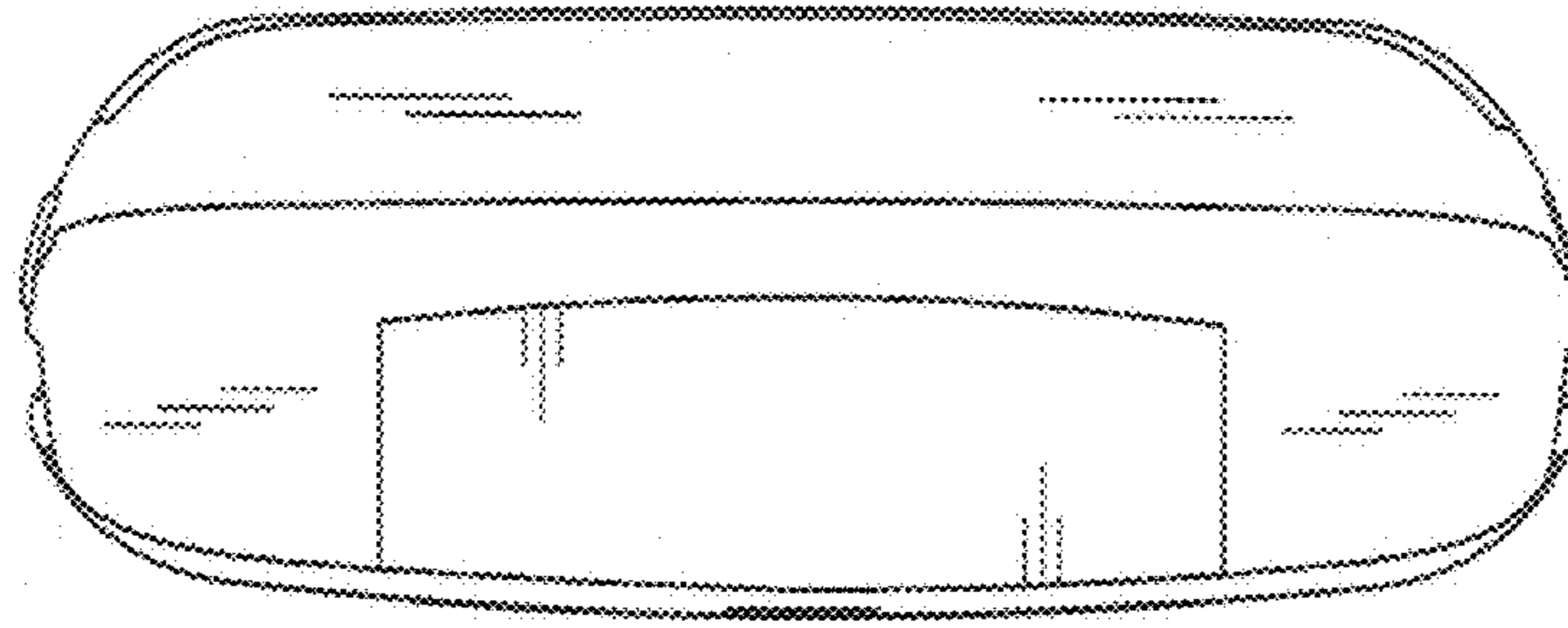


FIG. 7

