



US00D635536S

(12) **United States Design Patent**
Xiao

(10) **Patent No.:** **US D635,536 S**

(45) **Date of Patent:** **** Apr. 5, 2011**

(54) **MOBILE PHONE**

(75) Inventor: **Zhi-Qiang Xiao**, Shenzhen (CN)

(73) Assignee: **FIH (Hong Kong) Limited**, Kowloon (HK)

(**) Term: **14 Years**

(21) Appl. No.: **29/359,449**

(22) Filed: **Apr. 12, 2010**

(51) **LOC (9) Cl.** **14-03**

(52) **U.S. Cl.** **D14/138 AA; D14/203.3**

(58) **Field of Classification Search** D14/138 AA, D14/138 AB, 138 R, 138 AD, 138 AC, 138 G, D14/341, 345, 346, 203.4, 203.7, 203.1, 496, D14/203.3; 455/575.3, 575.1, 575.4, 556.2; 379/433.01, 433.04, 433.1, 433.13; D21/517
See application file for complete search history.

(56) **References Cited**

U.S. PATENT DOCUMENTS

- D504,442 S * 4/2005 Kim D14/203.7
- D514,590 S * 2/2006 Naruki D14/203.3
- D541,272 S * 4/2007 Wang D14/356
- 7,301,596 B1 * 11/2007 Morganstern et al. 349/131
- D558,763 S * 1/2008 Morganstern et al. D14/356
- D562,299 S * 2/2008 Wang et al. D14/138 AA
- D565,599 S * 4/2008 Jang et al. D14/496
- D573,570 S * 7/2008 Park et al. D14/138 AA
- D574,371 S * 8/2008 Reda et al. D14/245
- D580,401 S * 11/2008 Kim et al. D14/138 AD
- D582,418 S * 12/2008 Kim et al. D14/435
- D593,526 S * 6/2009 Tang D14/138 G
- D593,552 S * 6/2009 Ferrari et al. D14/341
- D597,045 S * 7/2009 Kim et al. D14/138 AA
- 7,565,183 B2 * 7/2009 Vance et al. 455/575.1
- D603,406 S * 11/2009 Wood et al. D14/346
- D606,513 S * 12/2009 Wood et al. D14/203.7
- D608,781 S * 1/2010 Wada D14/371
- D609,667 S * 2/2010 Shi et al. D14/138 AA

- D611,030 S * 3/2010 Hirano D14/138 G
- D615,058 S * 5/2010 Lee et al. D14/138 AA
- D617,750 S * 6/2010 Chen et al. D14/138 AA
- D617,755 S * 6/2010 Leinvuo D14/138 G
- D623,159 S * 9/2010 Cheng et al. D14/138 AA
- D628,182 S * 11/2010 Hirano D14/138 AA

OTHER PUBLICATIONS

Sony Ericsson Aspen telephone, announced Feb. 2010, [online], [site visited Dec. 12, 2010]. Available from Internet ,<URL: http://www.gsmarena.com>.*

Philips Xenium 9@9d telephone, announced Mar. 2006, [online], [site visited Dec. 12, 2010]. Available from Internet ,<URL: http://www.gsmarena.com>.*

* cited by examiner

Primary Examiner — Jeffrey D Asch

(74) *Attorney, Agent, or Firm* — Steven M. Reiss

(57) **CLAIM**

The ornamental design for a mobile phone, as shown and described.

DESCRIPTION

FIG. 1 is a perspective view of a mobile phone showing my new design;

FIG. 2 is a front elevational view thereof;

FIG. 3 is a rear elevational view thereof;

FIG. 4 is a left side elevational view thereof;

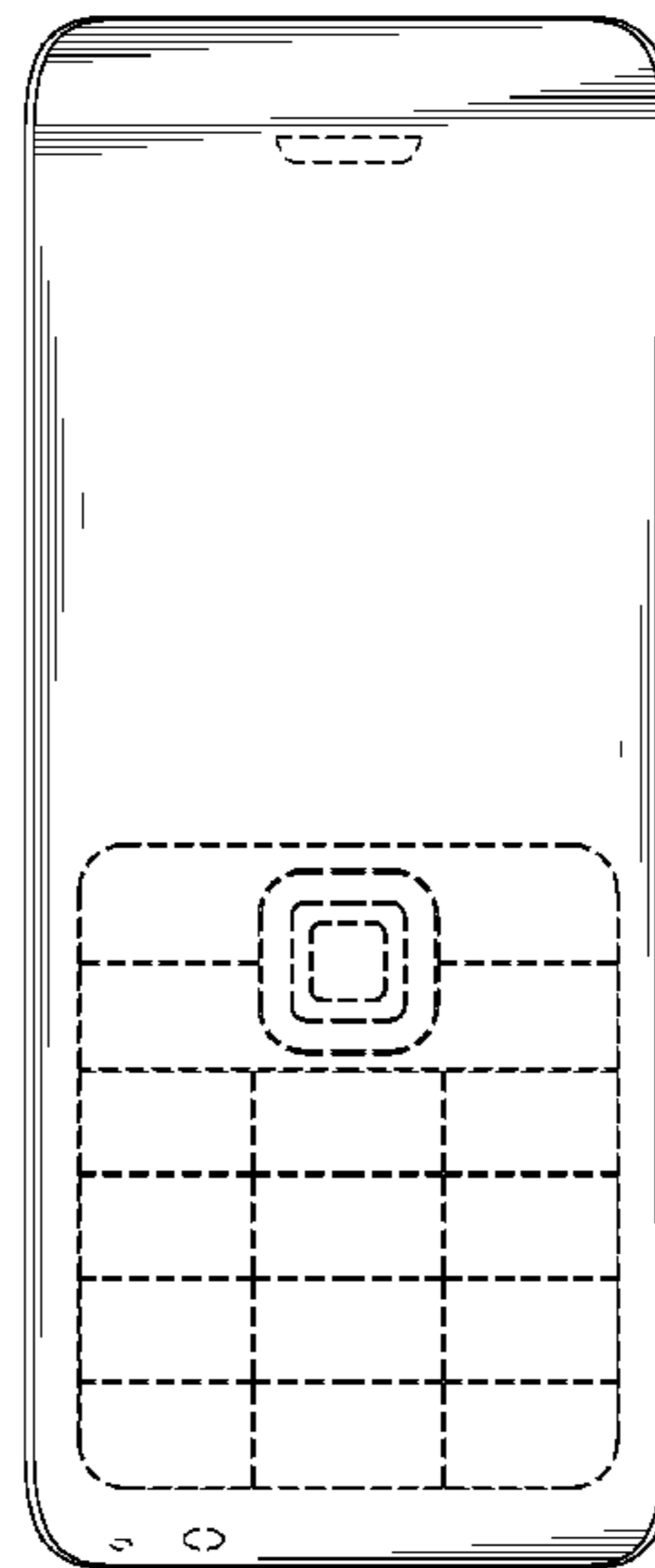
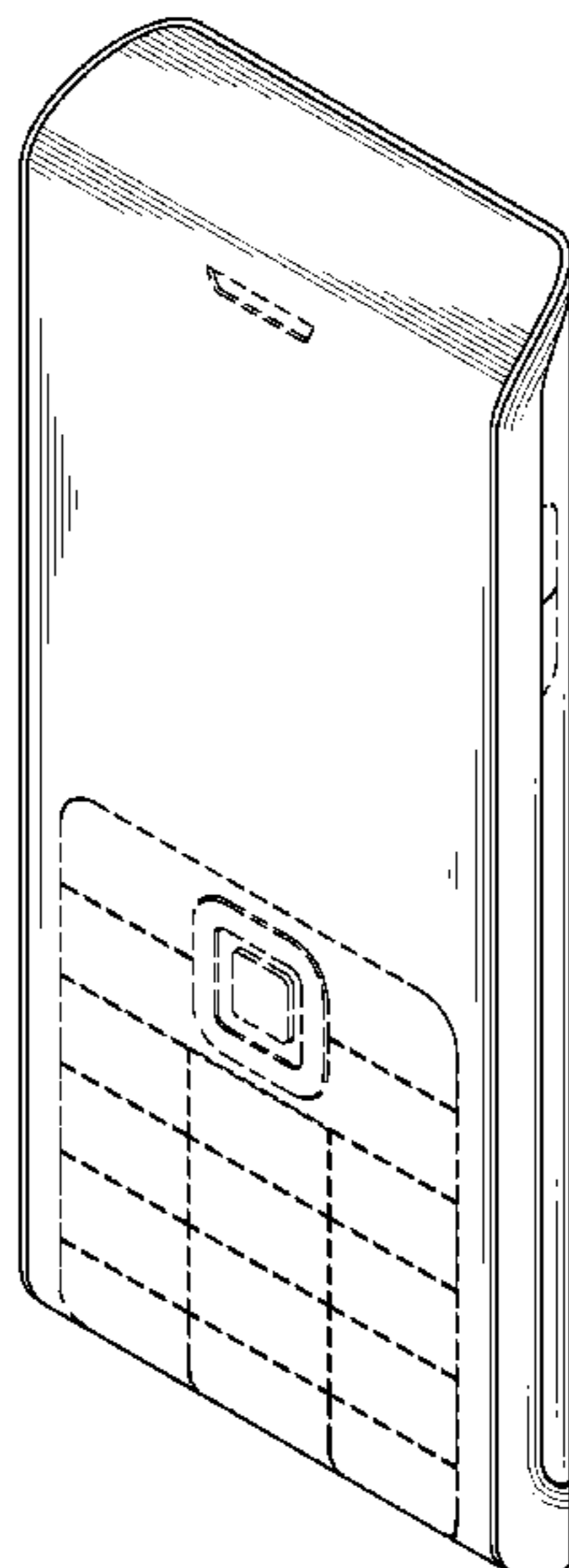
FIG. 5 is a right side elevational view thereof;

FIG. 6 is a top plan view thereof; and,

FIG. 7 is a bottom plan view thereof.

The broken lines shown throughout the views, which are immediately adjacent to the shaded areas and define unshaded regions, represent the bounds of the claimed design, while all other broken lines are directed to environment and are for illustrative purposes only; the broken lines form no part of the claimed design.

1 Claim, 7 Drawing Sheets



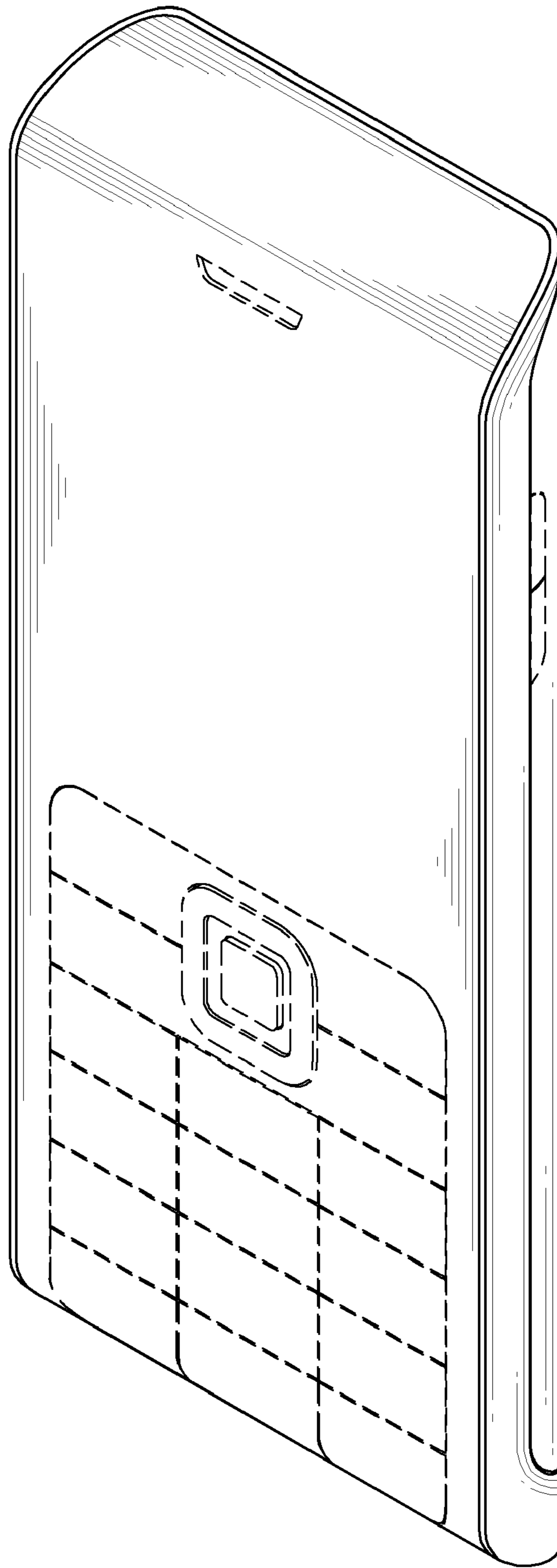


FIG. 1

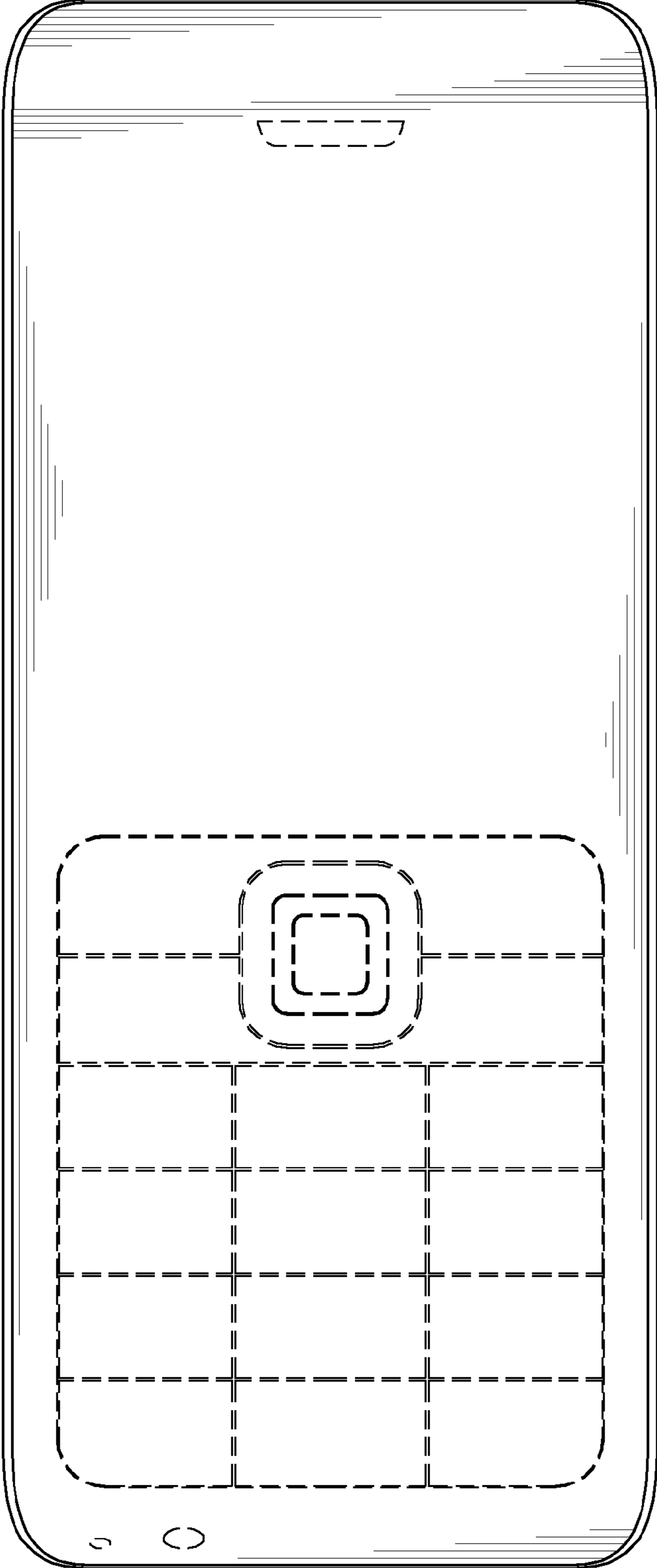


FIG. 2

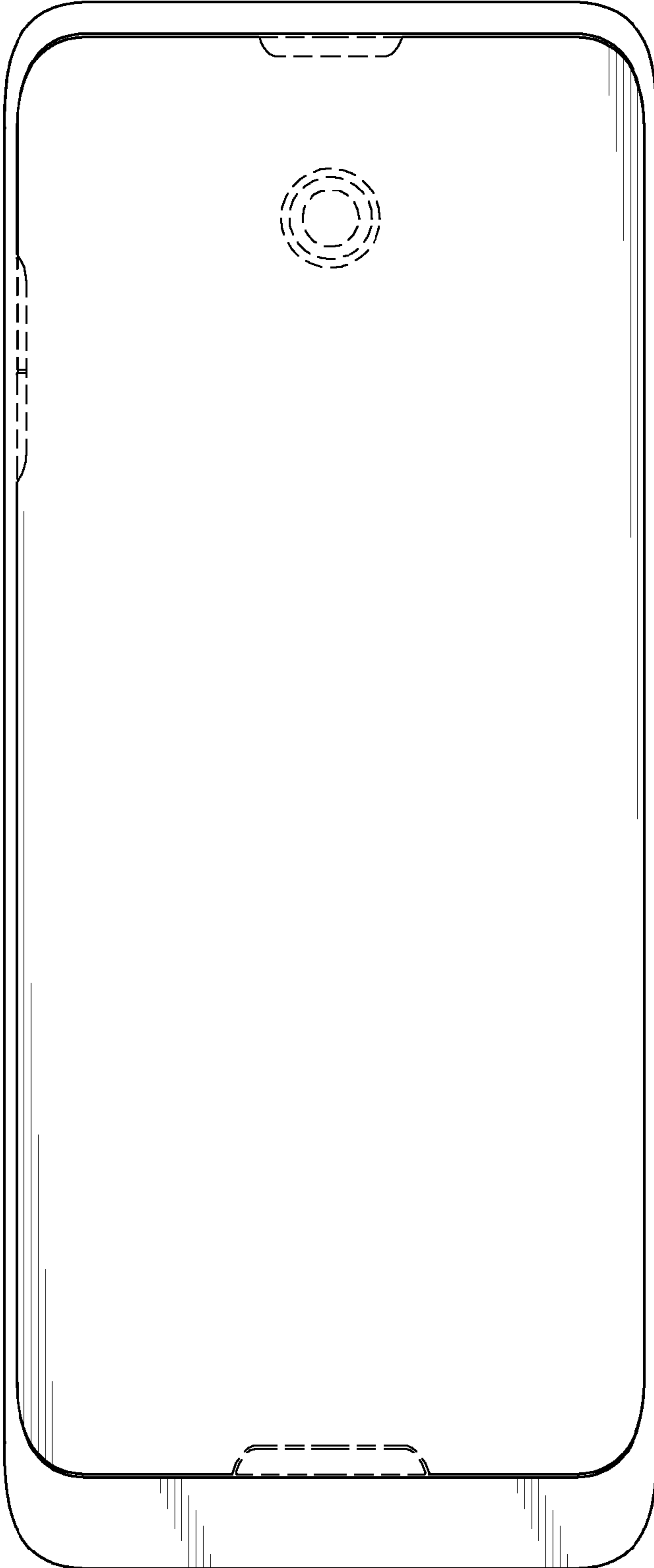


FIG. 3

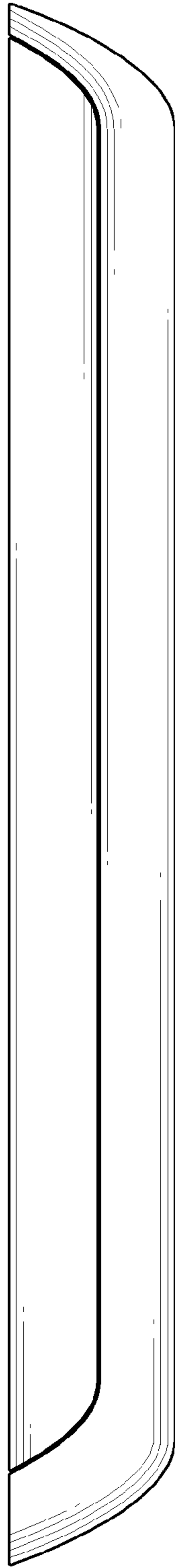


FIG. 4

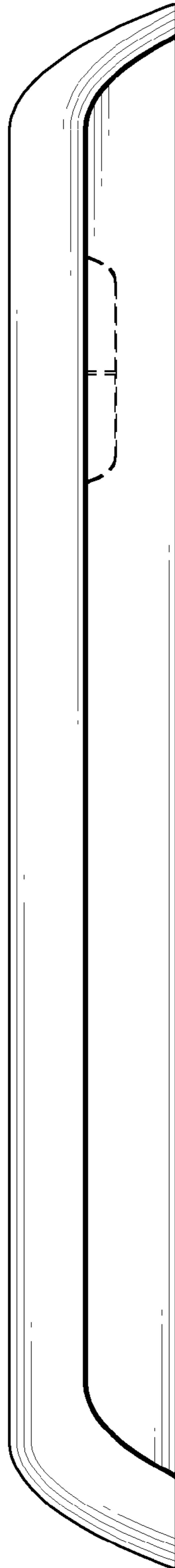


FIG. 5

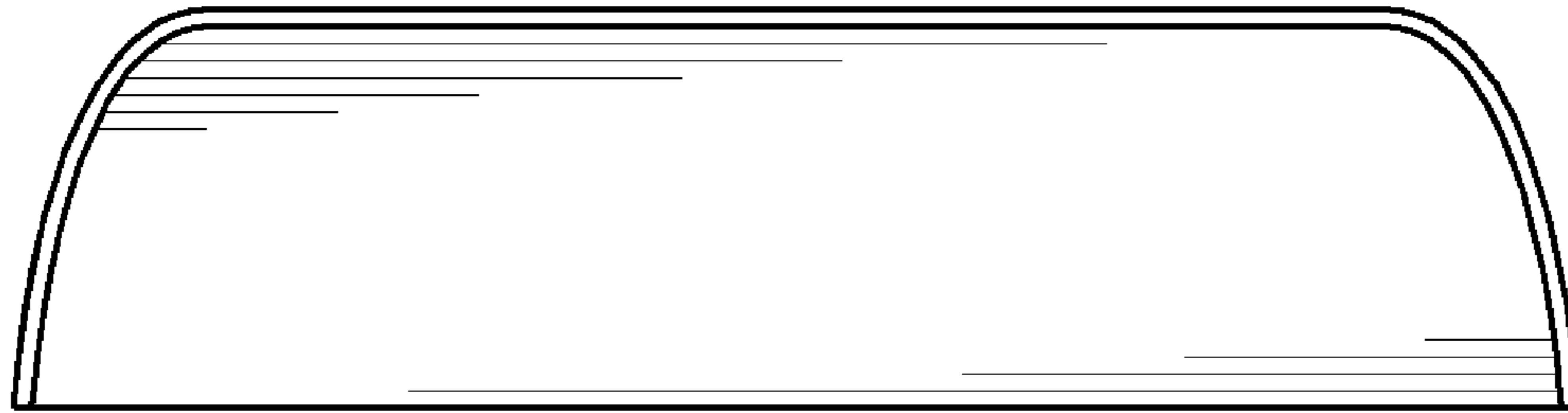


FIG. 6

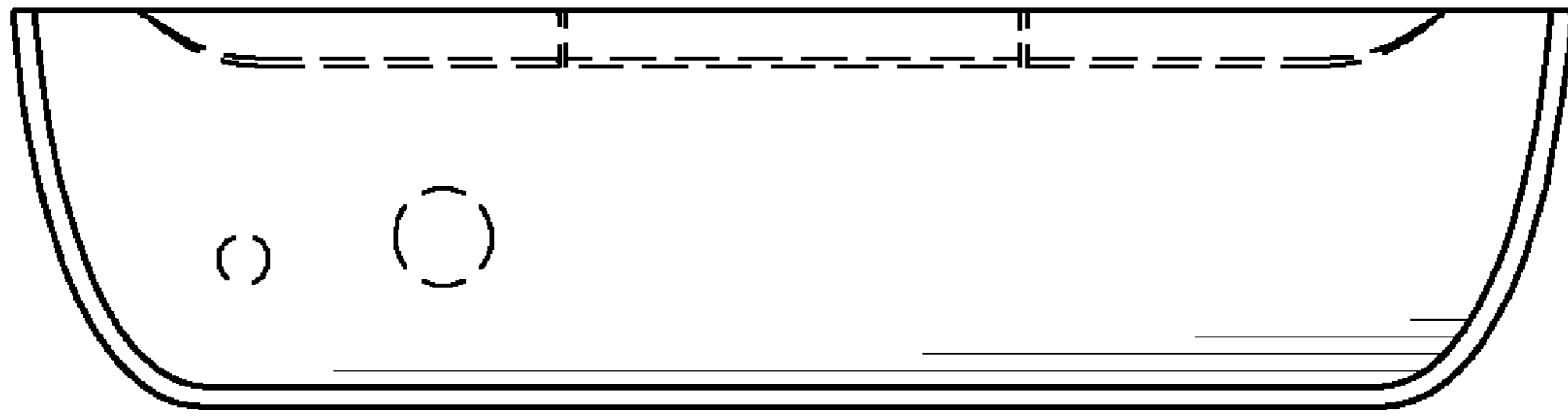


FIG. 7