



US00D635534S

(12) **United States Design Patent**  
**Cho et al.**

(10) **Patent No.:** **US D635,534 S**  
(45) **Date of Patent:** **\*\* Apr. 5, 2011**

(54) **SET TOP BOX**  
(75) Inventors: **Chul-Yong Cho**, Seoul (KR); **Sung-II Bang**, Seoul (KR); **Tae-Hun Kim**, Seoul (KR); **Sin-Wi Moon**, Jeju-do (KR); **Yu-Li Sung**, Kyunggi-do (KR)  
(73) Assignee: **Samsung Electronics Co., Ltd.**, Kyunggi-do (KR)

D585,395 S 1/2009 Cho et al.  
D587,223 S 2/2009 Chun  
D587,224 S 2/2009 Chun et al.  
D588,559 S 3/2009 Kim et al.  
D592,619 S 5/2009 Woo et al.  
D592,620 S 5/2009 Kim et al.  
D593,971 S 6/2009 Kim et al.  
D593,972 S 6/2009 Cho et al.  
D593,973 S 6/2009 Cho et al.  
D596,149 S 7/2009 Cho et al.  
D599,753 S 9/2009 Cho et al.  
D602,887 S 10/2009 Cho et al.  
D602,888 S 10/2009 Cho et al.  
D602,889 S 10/2009 Cho et al.

(\*\*) Term: **14 Years**  
(21) Appl. No.: **29/370,857**

(Continued)

(22) Filed: **Sep. 14, 2010**

(51) **LOC (9) Cl.** ..... **14-03**  
(52) **U.S. Cl.** ..... **D14/125**  
(58) **Field of Classification Search** ..... D14/125-13,  
D14/168, 188, 197, 198, 371, 374-377, 496-510;  
312/7.1, 7.2; 348/836, 838, 180, 184, 325,  
348/739; 341/12; 349/58; 720/600, 619,  
720/646, 647, 655; 455/347-351; 369/75.11,  
369/75.21

See application file for complete search history.

(56) **References Cited**

**U.S. PATENT DOCUMENTS**

D455,409 S \* 4/2002 Hsu et al. .... D14/125  
D529,879 S 10/2006 Park et al.  
D533,157 S 12/2006 Park  
D541,811 S 5/2007 Park  
D544,455 S 6/2007 Park et al.  
D545,774 S 7/2007 Woo et al.  
D551,183 S 9/2007 Park et al.  
D560,176 S 1/2008 Woo  
D560,177 S 1/2008 Chun et al.  
D560,689 S 1/2008 Cho  
D567,193 S 4/2008 Kang et al.  
D571,754 S 6/2008 Cho et al.  
D574,793 S 8/2008 Kim et al.  
D584,254 S 1/2009 Jeon et al.  
D584,701 S 1/2009 Kim et al.

**OTHER PUBLICATIONS**

U.S. Appl. No. 29/370,856, Applicant: Chul-Yong Cho, et al., filed Sep. 14, 2010 entitled Set Top Box.

(Continued)

*Primary Examiner* — Raphael Barkai  
*Assistant Examiner* — Randall Gholson  
(74) *Attorney, Agent, or Firm* — Flynn, Thiel, Boutell & Tanis, P.C.

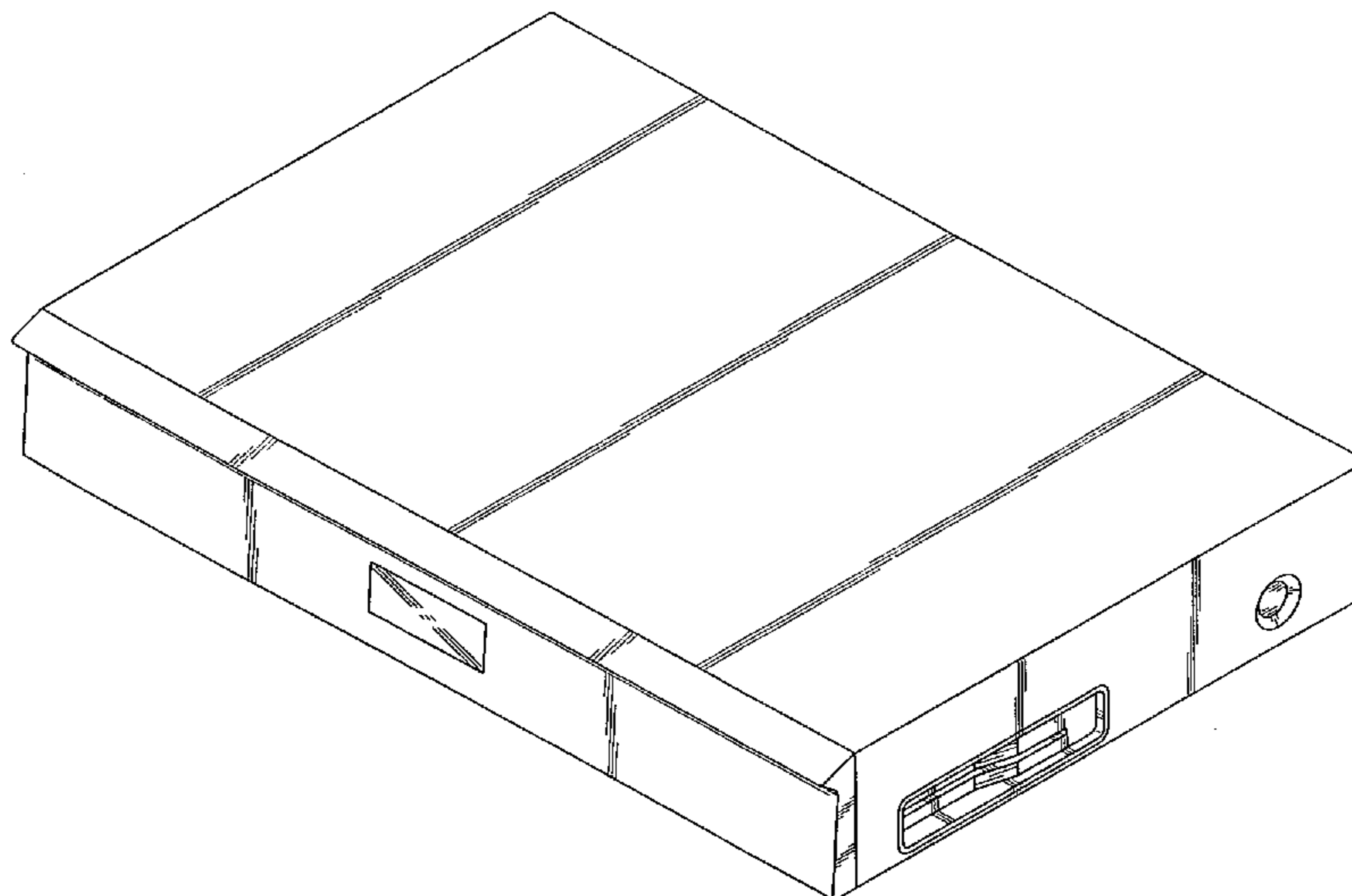
(57) **CLAIM**

The ornamental design for a set top box, as shown and described.

**DESCRIPTION**

FIG. 1 is a top front perspective view of a set top box showing our new design;  
FIG. 2 is a front elevational view thereof;  
FIG. 3 is a rear elevational view thereof;  
FIG. 4 is a left side elevational view thereof;  
FIG. 5 is a right side elevational view thereof;  
FIG. 6 is a top plan view thereof; and,  
FIG. 7 is a bottom plan view thereof.

**1 Claim, 3 Drawing Sheets**



# US D635,534 S

Page 2

---

## U.S. PATENT DOCUMENTS

D602,890 S 10/2009 Cho et al.  
D608,310 S 1/2010 Cho et al.  
D608,744 S 1/2010 Kim et al.  
D608,745 S 1/2010 Cho et al.  
D609,656 S 2/2010 Cho et al.  
D610,102 S 2/2010 Cho et al.  
D623,154 S \* 9/2010 Tu ..... D14/125

## OTHER PUBLICATIONS

U.S. Appl. No. 29/370,855, Applicant: Chul-Yong Cho, et al., filed Sep. 14, 2010 entitled Set Top Box.

U.S. Appl. No. 29/370,852, Applicant: Yu-Li Sung, et al., filed Sep. 14, 2010 entitled Set Top Box.

U.S. Appl. No. 29/370,854, Applicant: Yu-Li Sung, et al., filed Sep. 14, 2010 entitled Set Top Box.

U.S. Appl. No. 29/370,853, Applicant: Chul-Yong Cho, et al., filed Sep. 14, 2010 entitled Set Top Box.

U.S. Appl. No. 29/370,860, Applicant: Chul-Yong Cho, et al., filed Sep. 14, 2010 entitled Set Top Box.

\* cited by examiner

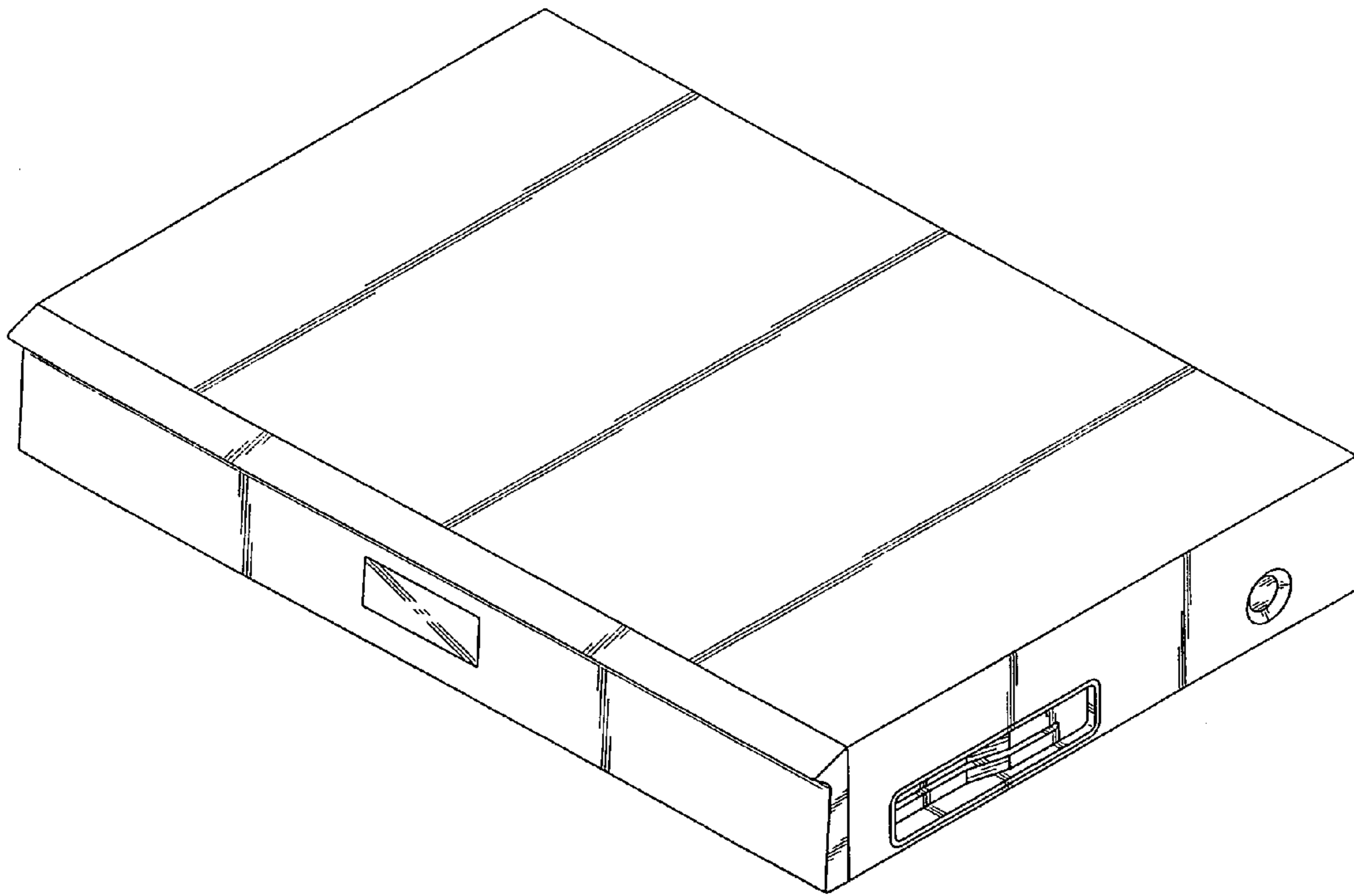


FIG. 1

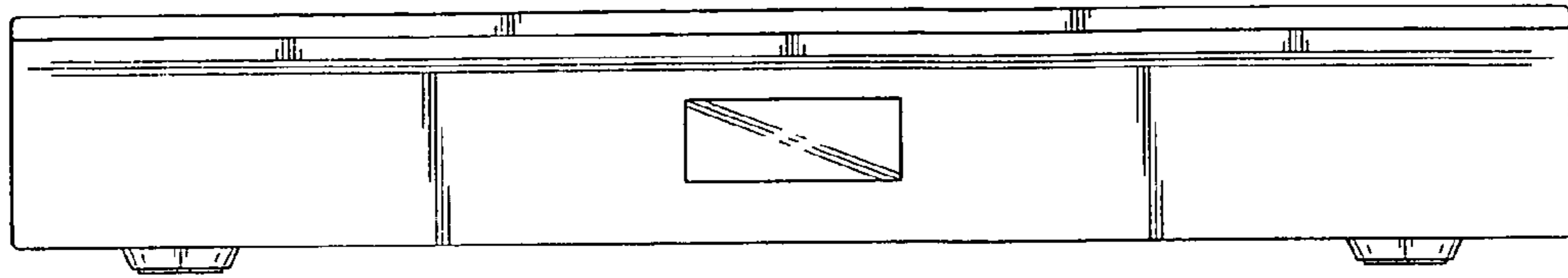


FIG. 2

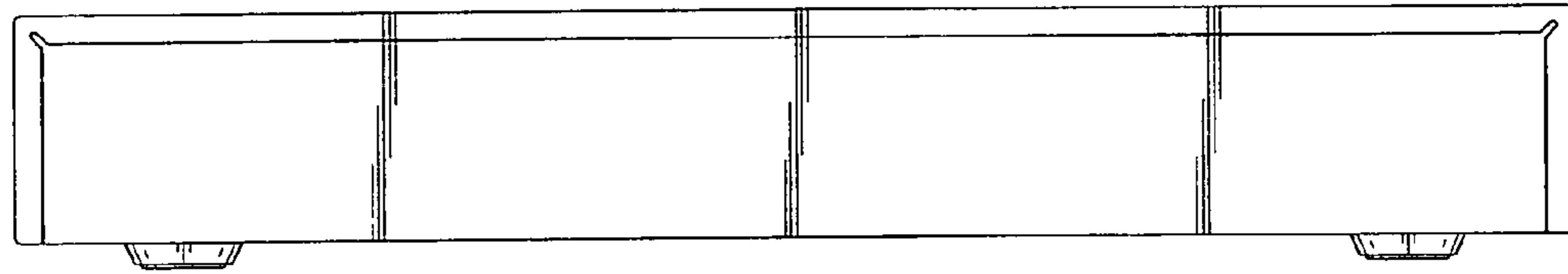


FIG. 3

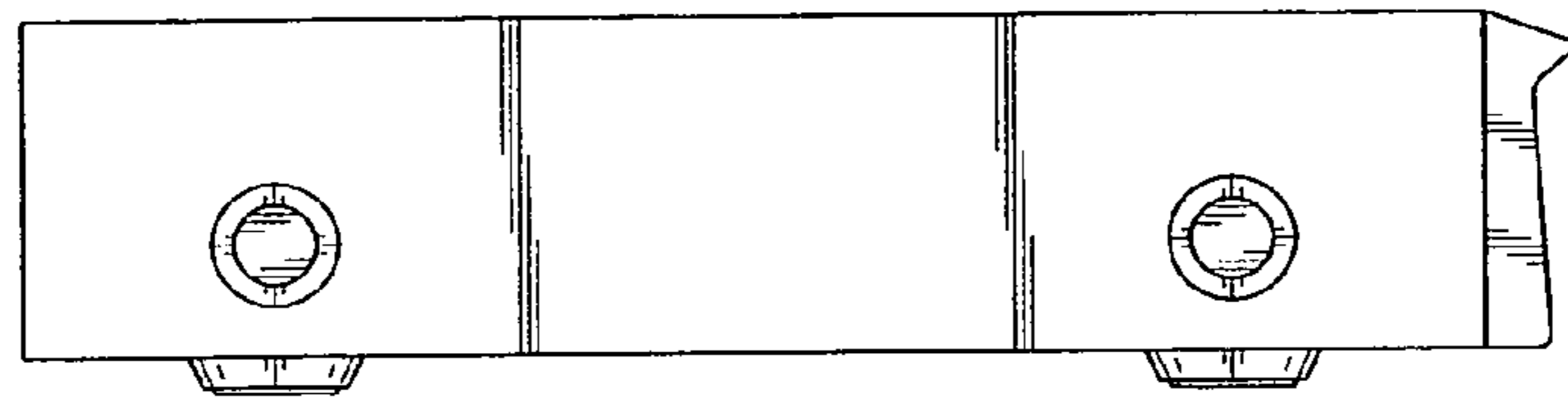


FIG. 4

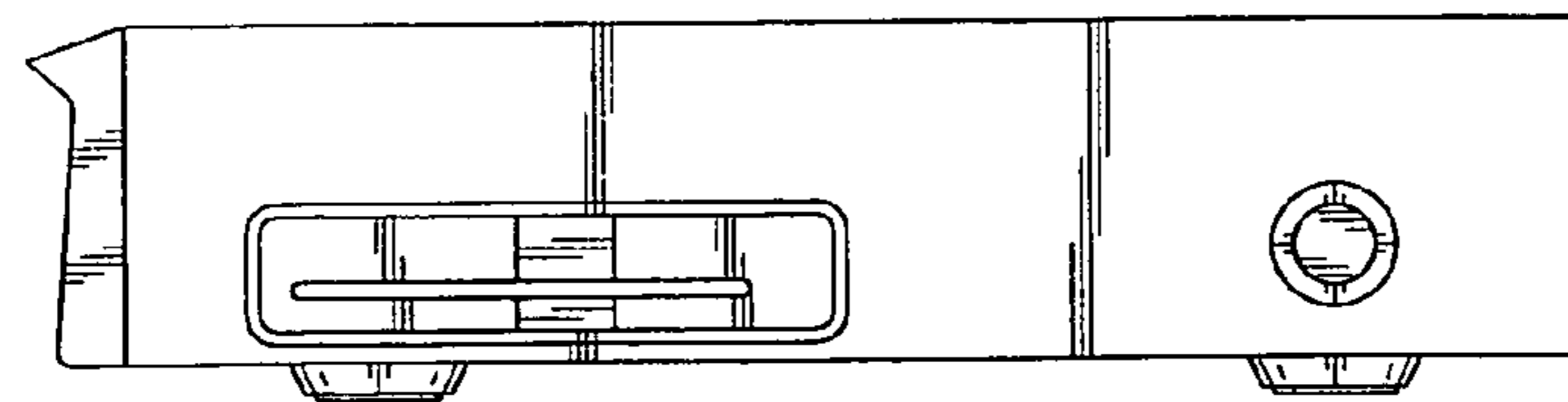


FIG. 5

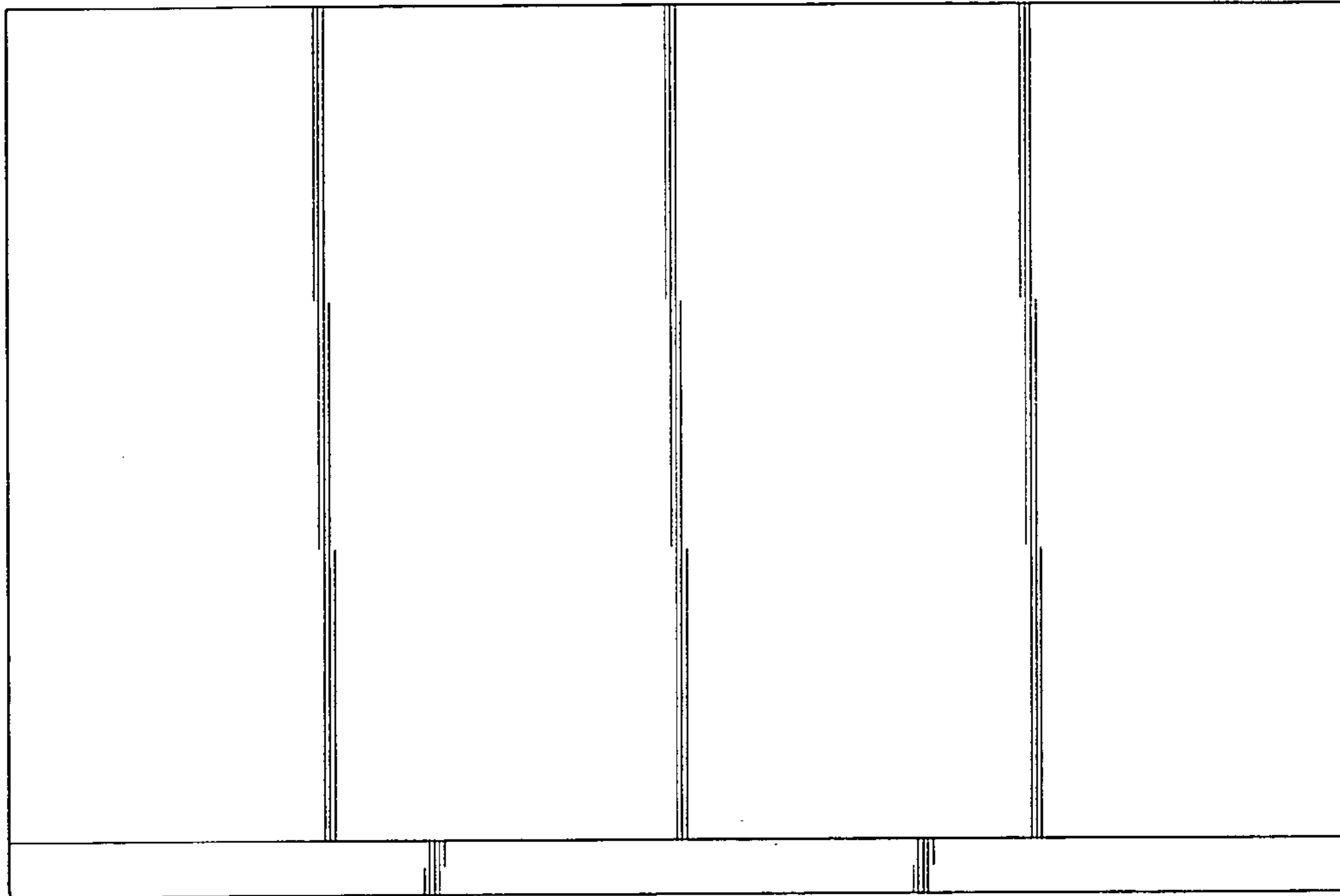


FIG. 6

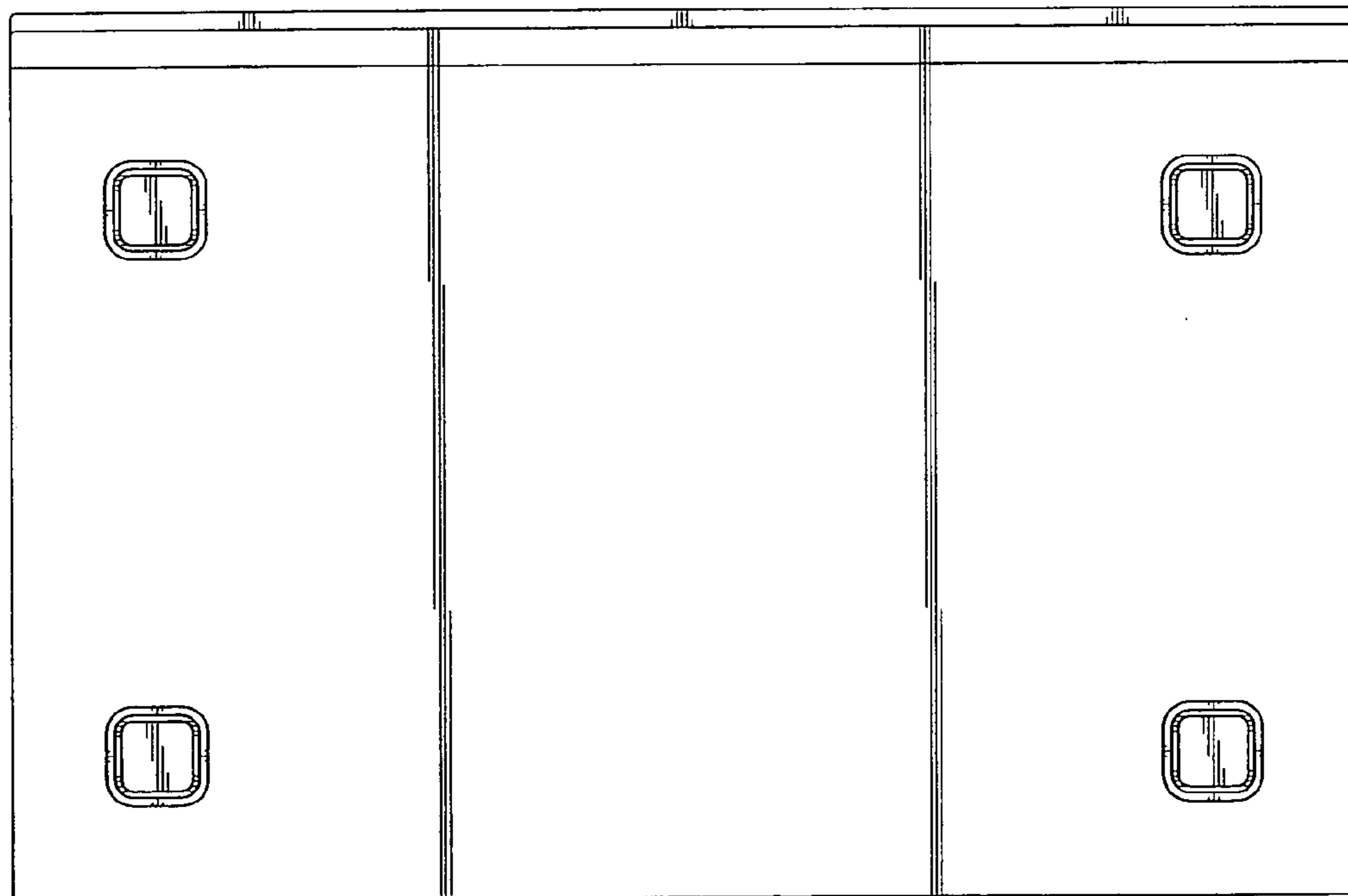


FIG. 7