



US00D635533S

(12) **United States Design Patent**  
**Cho et al.**

(10) **Patent No.:** **US D635,533 S**  
(45) **Date of Patent:** **\*\* Apr. 5, 2011**

- (54) **SET TOP BOX**
- (75) Inventors: **Chul-Yong Cho**, Seoul (KR); **Sung-II Bang**, Seoul (KR); **Tae-Hun Kim**, Seoul (KR); **Sin-Wi Moon**, Jeju-do (KR); **Yu-Li Sung**, Kyunggi-do (KR)
- (73) Assignee: **Samsung Electronics Co., Ltd.**, Kyunggi-do (KR)
- (\*\*) Term: **14 Years**

D587,223 S	2/2009	Chun	
D587,224 S	2/2009	Chun et al.	
D588,559 S	3/2009	Kim et al.	
D592,619 S	5/2009	Woo et al.	
D592,620 S	5/2009	Kim et al.	
D593,971 S	6/2009	Kim et al.	
D593,972 S	6/2009	Cho et al.	
D593,973 S	6/2009	Cho et al.	
D596,149 S	7/2009	Cho et al.	
D599,753 S	9/2009	Cho et al.	
D601,583 S *	10/2009	Andre et al.	D14/496
D601,585 S *	10/2009	Andre et al.	D14/496
D602,887 S	10/2009	Cho et al.	

(Continued)

(21) Appl. No.: **29/370,855**

(22) Filed: **Sep. 14, 2010**

(51) **LOC (9) Cl.** ..... **14-03**

(52) **U.S. Cl.** ..... **D14/125**

(58) **Field of Classification Search** ..... D14/125-13,  
D14/168, 188, 197, 198, 371, 374-377, 496-510;  
312/7.1, 7.2; 348/836, 838, 180, 184, 325,  
348/739; 341/12; 349/58; 720/600, 619,  
720/646, 647, 655; 455/347-351; 369/75.11,  
369/75.21

See application file for complete search history.

(56) **References Cited**

**U.S. PATENT DOCUMENTS**

D529,879 S	10/2006	Park et al.	
D533,157 S	12/2006	Park	
D541,811 S	5/2007	Park	
D544,455 S	6/2007	Park et al.	
D545,774 S	7/2007	Woo et al.	
D551,183 S	9/2007	Park et al.	
D556,199 S *	11/2007	Song	D14/357
D560,176 S	1/2008	Woo	
D560,177 S	1/2008	Chun et al.	
D560,689 S	1/2008	Cho	
D567,193 S	4/2008	Kang et al.	
D571,754 S	6/2008	Cho et al.	
D574,793 S	8/2008	Kim et al.	
D584,254 S	1/2009	Jeon et al.	
D584,701 S	1/2009	Kim et al.	
D585,395 S	1/2009	Cho et al.	

**OTHER PUBLICATIONS**

U.S. Appl. No. 29/370,856, Applicant: Chul-Yong Cho, et al., filed Sep. 14, 2010 entitled Set Top Box.

U.S. Appl. No. 29/370,852, Applicant: Yu-Li Sung, et al., filed Sep. 14, 2010 entitled Set Top Box.

(Continued)

*Primary Examiner* — Raphael Barkai  
*Assistant Examiner* — Randall Gholson

(74) *Attorney, Agent, or Firm* — Flynn, Thiel, Boutell & Tanis, P.C.

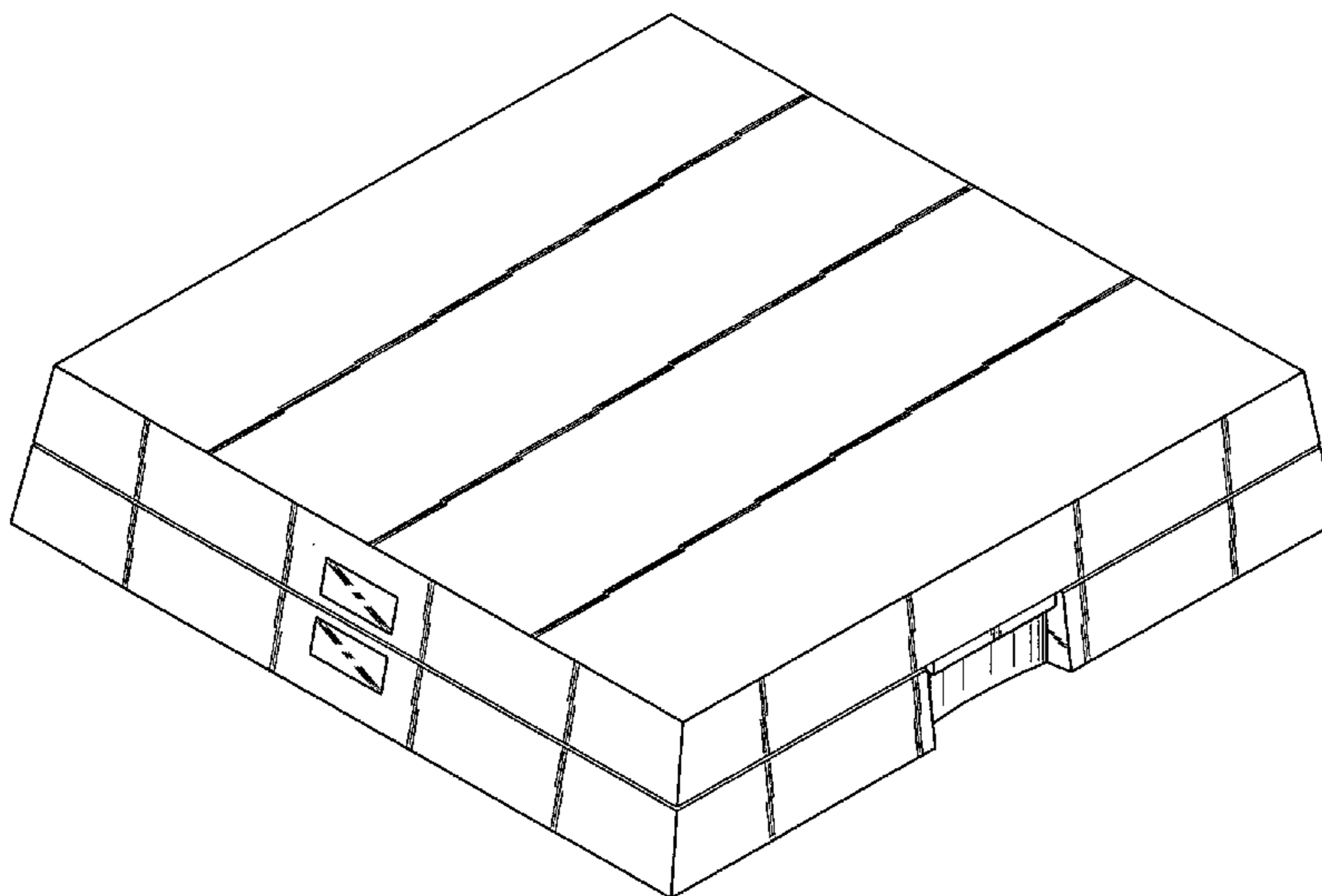
(57) **CLAIM**

The ornamental design for a set top box, as shown and described.

**DESCRIPTION**

FIG. 1 is a top front perspective view of a set top box showing our new design;  
FIG. 2 is a front elevational view thereof;  
FIG. 3 is a rear elevational view thereof;  
FIG. 4 is a left side elevational view thereof;  
FIG. 5 is a right side elevational view thereof;  
FIG. 6 is a top plan view thereof; and,  
FIG. 7 is a bottom plan view thereof.

**1 Claim, 4 Drawing Sheets**



# US D635,533 S

Page 2

---

## U.S. PATENT DOCUMENTS

D602,888 S 10/2009 Cho et al.  
D602,889 S 10/2009 Cho et al.  
D602,890 S 10/2009 Cho et al.  
D602,891 S \* 10/2009 Luo ..... D14/125  
D606,034 S \* 12/2009 Suzuki ..... D14/125  
D608,310 S 1/2010 Cho et al.  
D608,744 S 1/2010 Kim et al.  
D608,745 S 1/2010 Cho et al.  
D609,656 S 2/2010 Cho et al.  
D610,102 S 2/2010 Cho et al.  
D627,318 S \* 11/2010 Petersen et al. .... D14/125

## OTHER PUBLICATIONS

U.S. Appl. No. 29/370,854, Applicant: Yu-Li Sung, et al., filed Sep. 14, 2010 entitled Set Top Box.  
U.S. Appl. No. 29/370,853, Applicant: Chul-Yong Cho, et al., filed Sep. 14, 2010 entitled Set Top Box.  
U.S. Appl. No. 29/370,857, Applicant: Chul-Yong Cho, et al., filed Sep. 14, 2010 entitled Set Top Box.  
U.S. Appl. No. 29/370,860, Applicant: Chul-Yong Cho, et al., filed Sep. 14, 2010 entitled Set Top Box.

\* cited by examiner

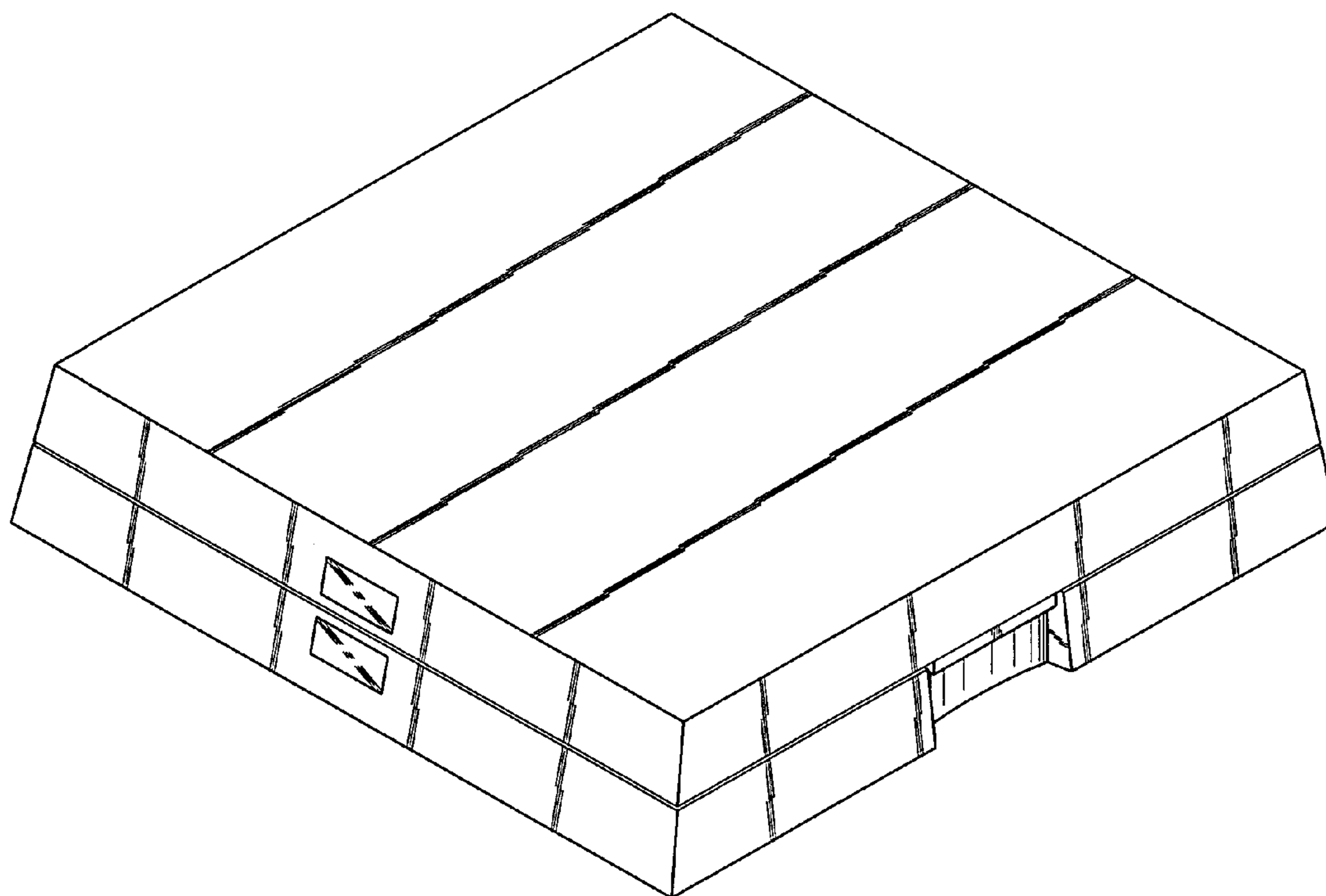


FIG.1

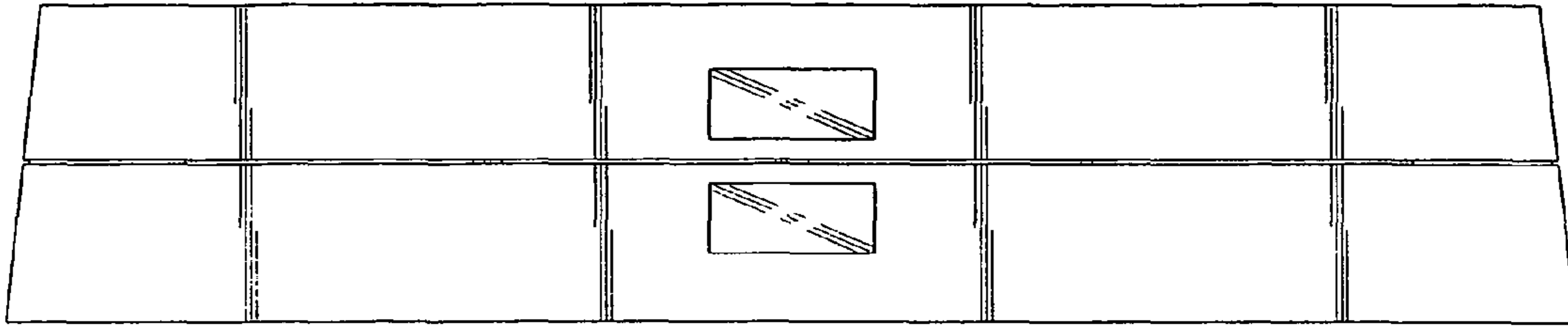


FIG. 2

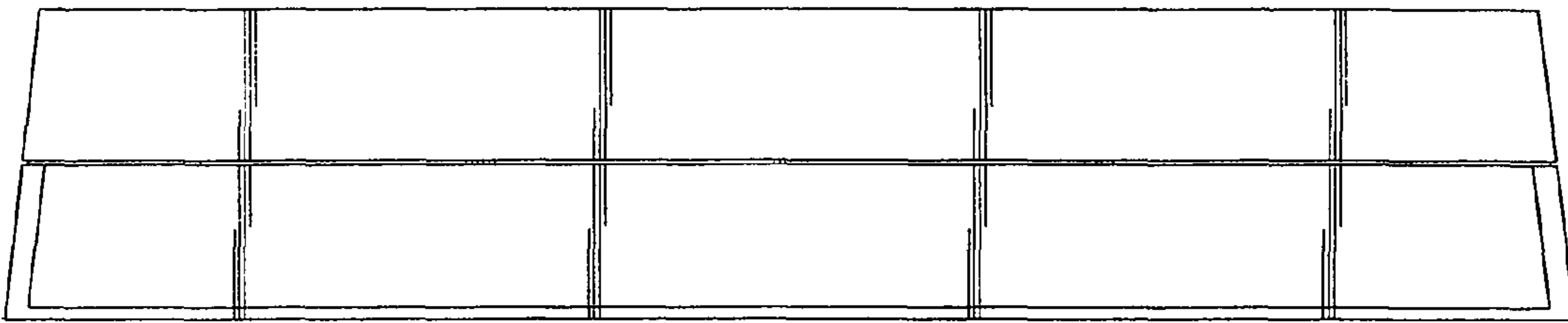


FIG. 3

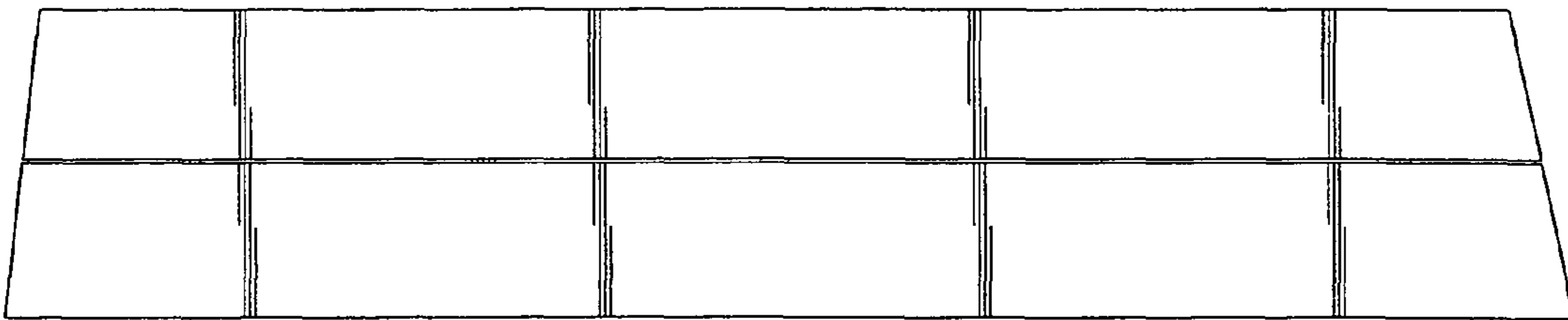


FIG. 4

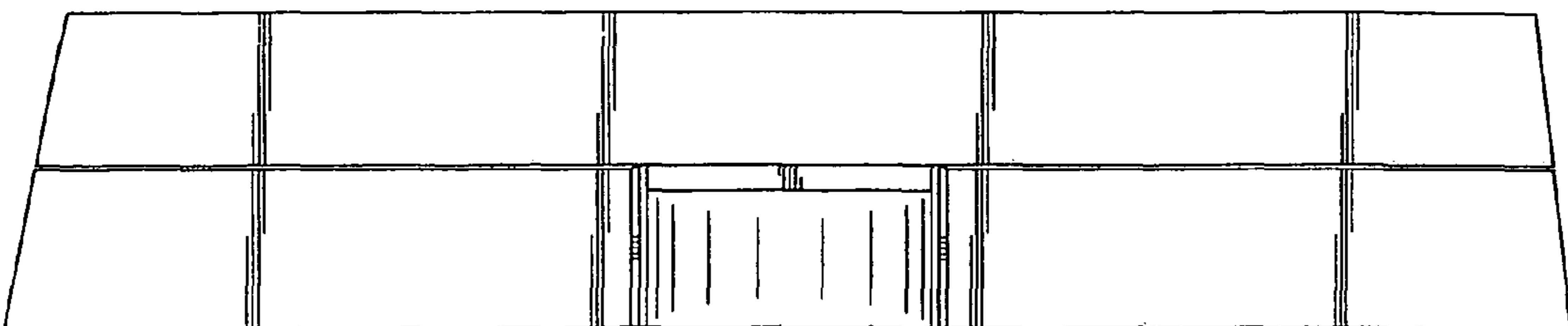


FIG. 5

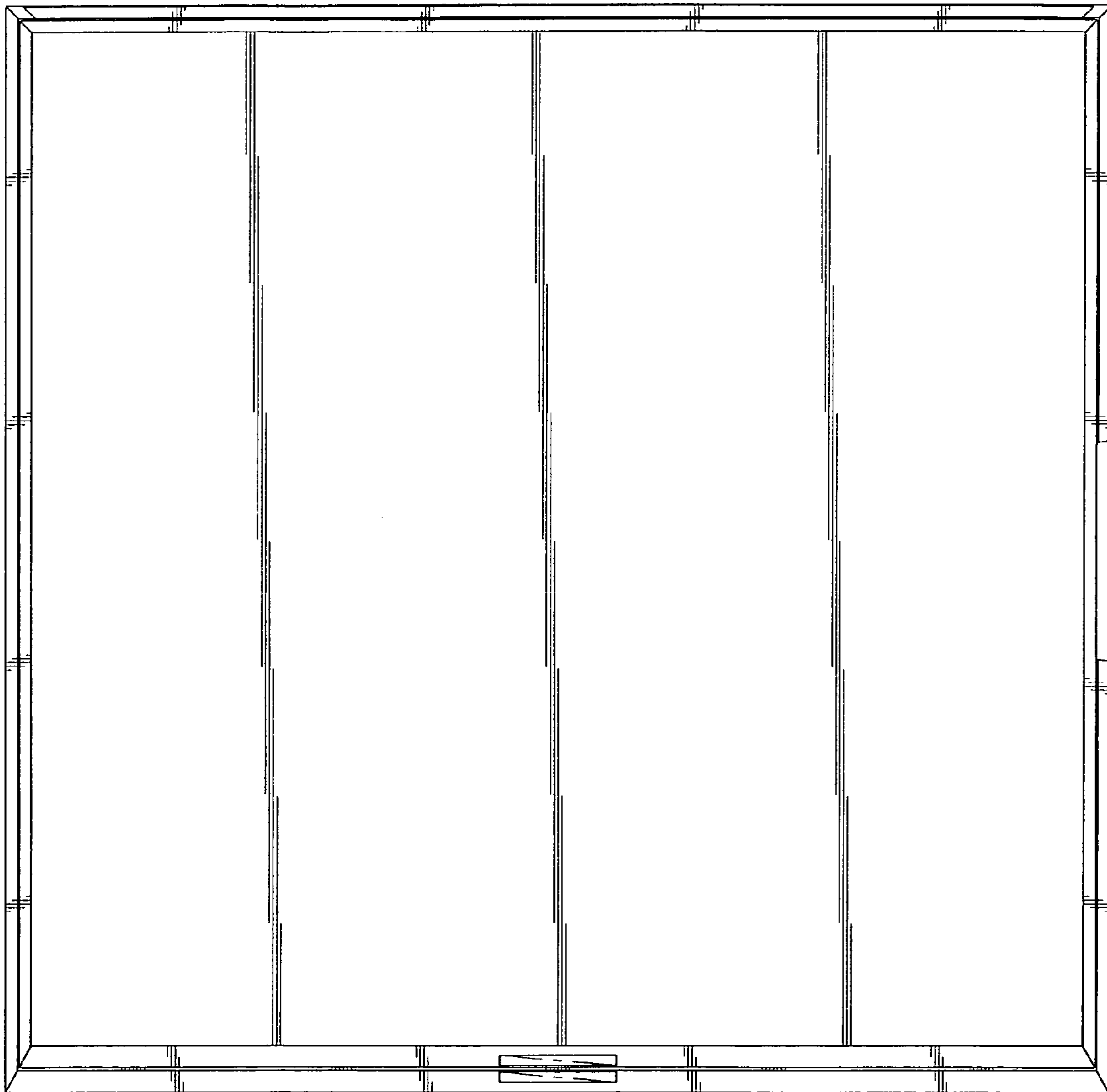


FIG. 6

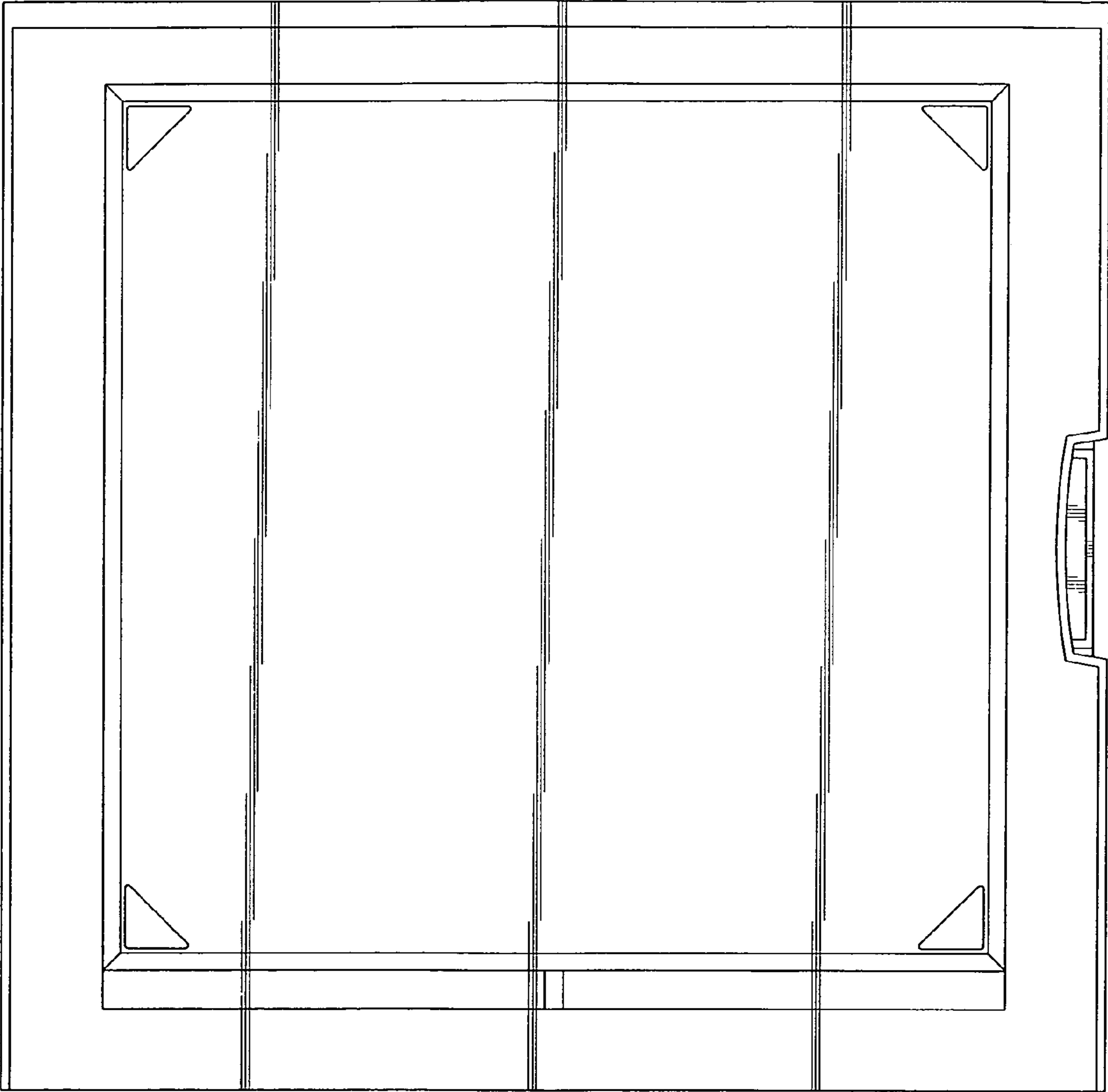


FIG. 7