



US00D635531S

(12) **United States Design Patent**
Cho et al.

(10) **Patent No.:** **US D635,531 S**
(45) **Date of Patent:** **** Apr. 5, 2011**

(54) **SET TOP BOX**
(75) Inventors: **Chul-Yong Cho**, Seoul (KR); **Sung-II Bang**, Seoul (KR); **Tae-Hun Kim**, Seoul (KR); **Sin-Wi Moon**, Jeju-do (KR); **Yu-Li Sung**, Kyunggi-do (KR)
(73) Assignee: **Samsung Electronics Co., Ltd.**, Kyunggi-do (KR)
(**) Term: **14 Years**

D560,689 S 1/2008 Cho
D567,193 S 4/2008 Kang et al.
D571,754 S 6/2008 Cho et al.
D574,793 S 8/2008 Kim et al.
D584,254 S 1/2009 Jeon et al.
D584,701 S 1/2009 Kim et al.
D585,395 S 1/2009 Cho et al.
D587,223 S 2/2009 Chun
D587,224 S 2/2009 Chun et al.
D588,559 S 3/2009 Kim et al.
D592,619 S 5/2009 Woo et al.
D592,620 S 5/2009 Kim et al.
D593,971 S 6/2009 Kim et al.

(Continued)

(21) Appl. No.: **29/370,853**

(22) Filed: **Sep. 14, 2010**

(51) **LOC (9) Cl.** **14-03**

(52) **U.S. Cl.** **D14/125**

(58) **Field of Classification Search** D14/125-13,
D14/168, 188, 197, 198, 371, 374-377; 312/7.1,
312/7.2; 348/836, 838, 180, 184, 325, 739;
341/12; 349/58; 720/600, 619, 646, 647,
720/655; 455/347-351; 369/75.11, 75.21
See application file for complete search history.

(56) **References Cited**

U.S. PATENT DOCUMENTS

D284,777 S * 7/1986 Anthony D19/91
D292,851 S * 11/1987 Krone D6/300
D318,673 S * 7/1991 Terk D14/230
D348,257 S * 6/1994 Wingate D14/313
D350,956 S * 9/1994 Sumikawa D14/155
D352,176 S * 11/1994 McMillan D6/310
D367,561 S * 3/1996 Kwan D6/310
D529,879 S 10/2006 Park et al.
D533,157 S 12/2006 Park
D541,811 S 5/2007 Park
D544,455 S 6/2007 Park et al.
D545,774 S 7/2007 Woo et al.
D551,183 S 9/2007 Park et al.
D552,053 S * 10/2007 Kim D14/499
D560,176 S 1/2008 Woo
D560,177 S 1/2008 Chun et al.

OTHER PUBLICATIONS

U.S. Appl. No. 29/370,856, Applicant: Chul-Yong Cho, et al., filed Sep. 14, 2010 entitled Set Top Box.

(Continued)

Primary Examiner — Raphael Barkai

Assistant Examiner — Randall Gholson

(74) *Attorney, Agent, or Firm* — Flynn, Thiel, Boutell & Tanis, P.C.

(57) **CLAIM**

The ornamental design for a set top box, as shown and described.

DESCRIPTION

FIG. 1 is a top front perspective view of a set top box showing our new design;

FIG. 2 is a front elevational view thereof;

FIG. 3 is a rear elevational view thereof;

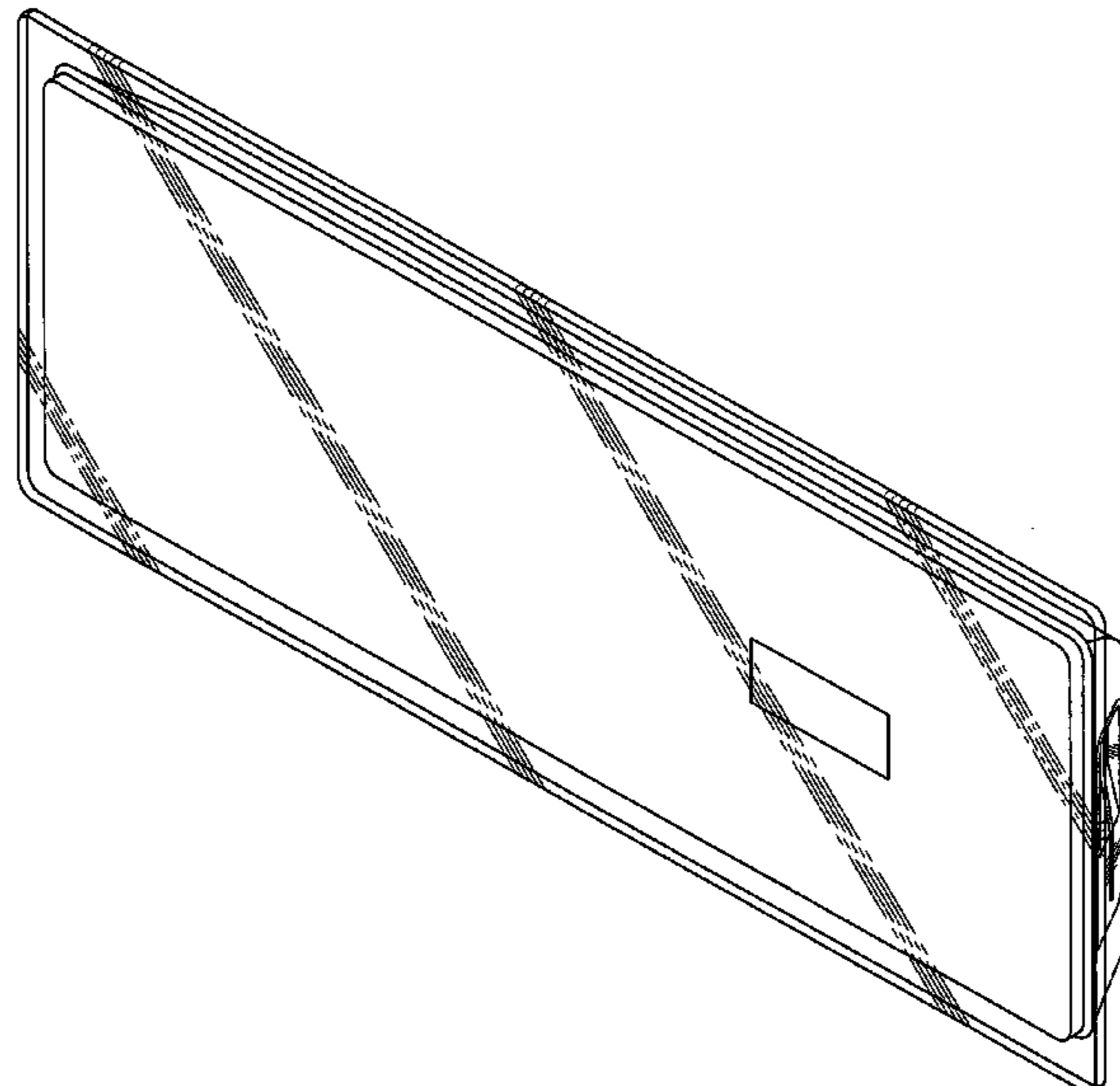
FIG. 4 is a left side elevational view thereof;

FIG. 5 is a right side elevational view thereof;

FIG. 6 is a top plan view thereof; and,

FIG. 7 is a bottom plan view thereof.

1 Claim, 3 Drawing Sheets



US D635,531 S

Page 2

U.S. PATENT DOCUMENTS

D593,972 S 6/2009 Cho et al.
D593,973 S 6/2009 Cho et al.
D596,149 S 7/2009 Cho et al.
D599,753 S 9/2009 Cho et al.
D602,887 S 10/2009 Cho et al.
D602,888 S 10/2009 Cho et al.
D602,889 S 10/2009 Cho et al.
D602,890 S 10/2009 Cho et al.
D608,310 S 1/2010 Cho et al.
D608,744 S 1/2010 Kim et al.
D608,745 S 1/2010 Cho et al.
D609,656 S 2/2010 Cho et al.
D610,102 S 2/2010 Cho et al.
2009/0225519 A1* 9/2009 Mischel et al. 361/724

OTHER PUBLICATIONS

U.S. Appl. No. 29/370,855, Applicant: Chul-Yong Cho, et al., filed Sep. 14, 2010 entitled Set Top Box.
U.S. Appl. No. 29/370,852, Applicant: Yu-Li Sung, et al., filed Sep. 14, 2010 entitled Set Top Box.
U.S. Appl. No. 29/370,854, Applicant: Yu-Li Sung, et al., filed Sep. 14, 2010 entitled Set Top Box.
U.S. Appl. No. 29/370,857, Applicant: Chul-Yong Cho, et al., filed Sep. 14, 2010 entitled Set Top Box.
U.S. Appl. No. 29/370,860, Applicant: Chul-Yong Cho, et al., filed Sep. 14, 2010 entitled Set Top Box.

* cited by examiner

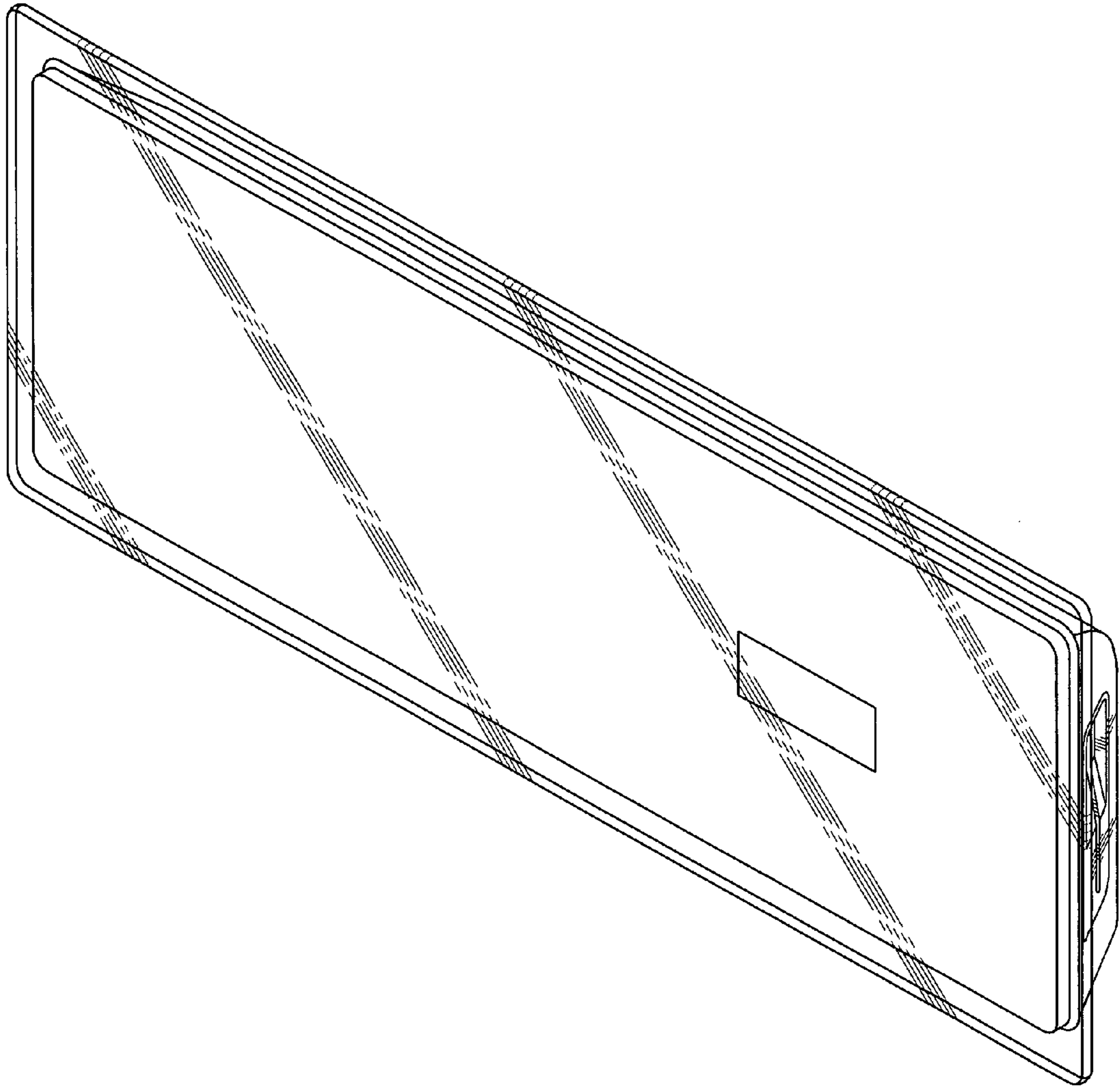


FIG.1

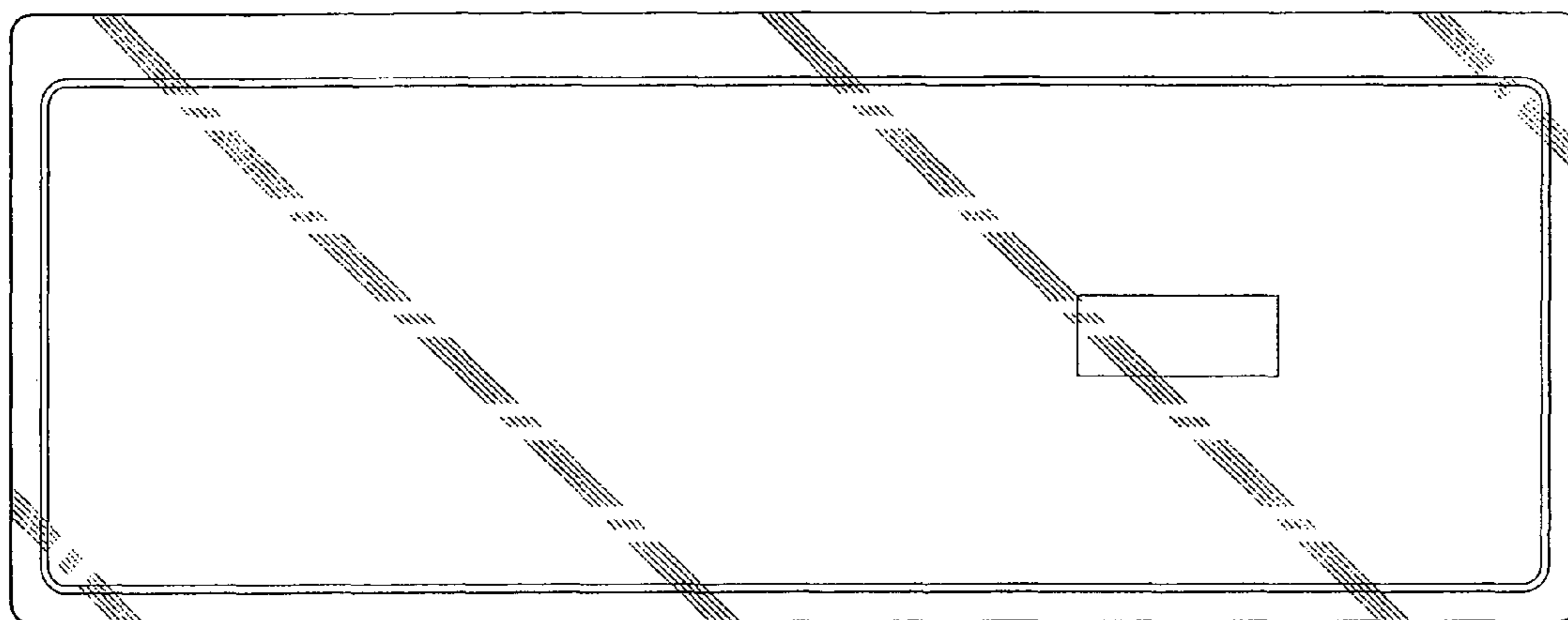


FIG. 2

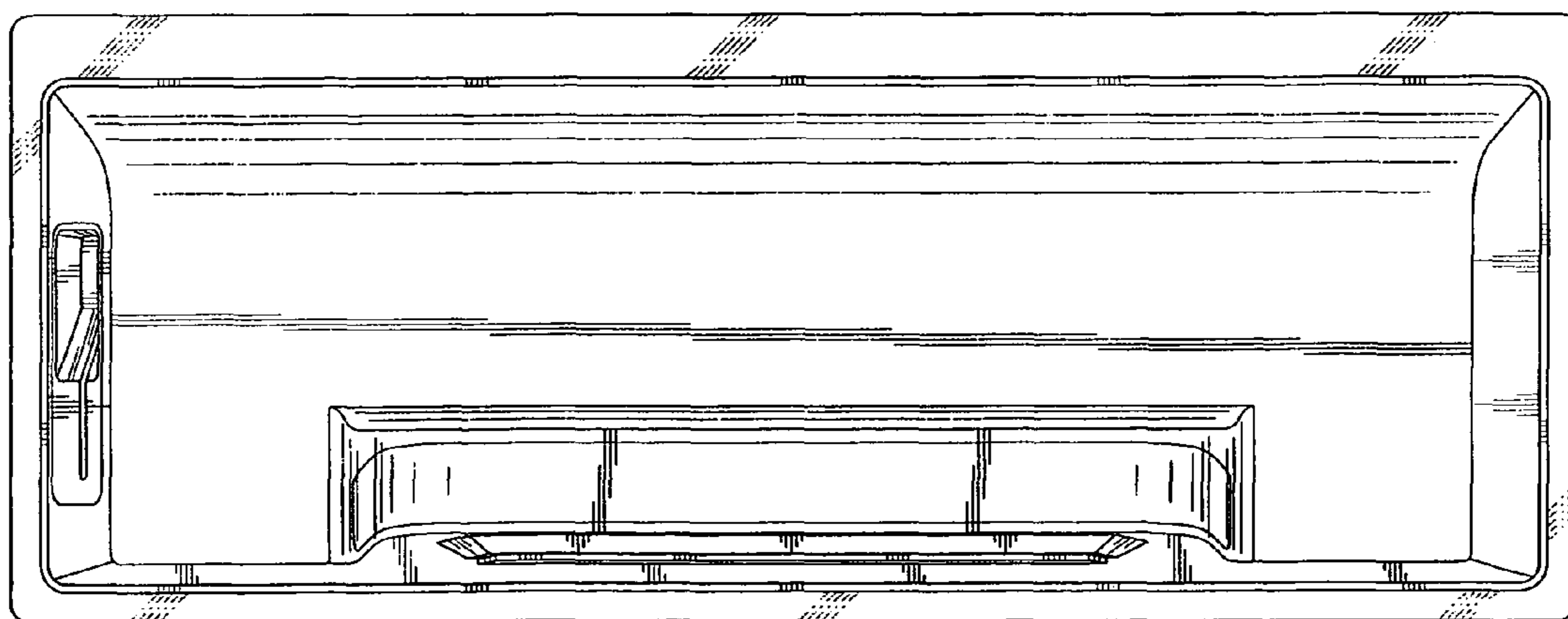


FIG. 3

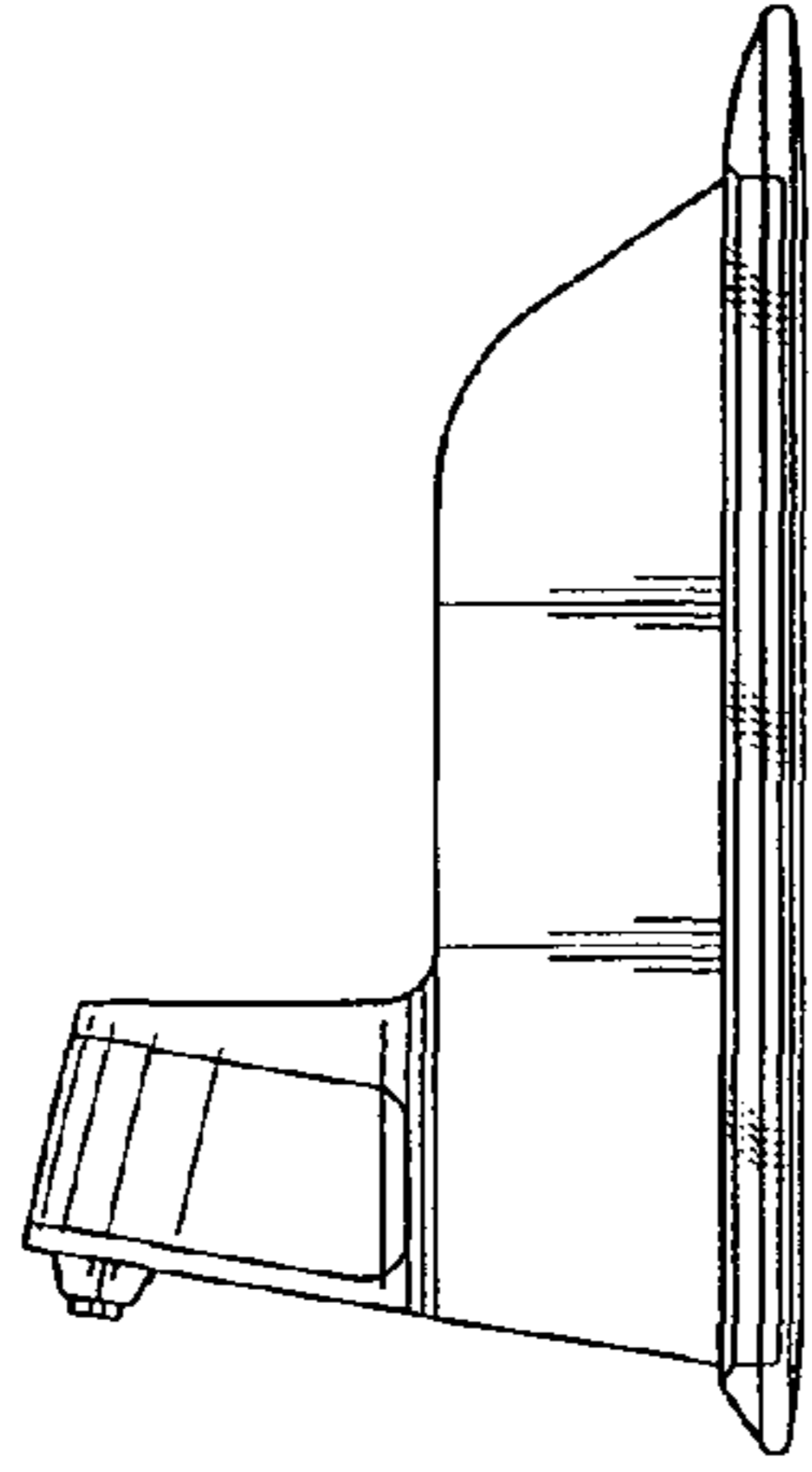


FIG. 4

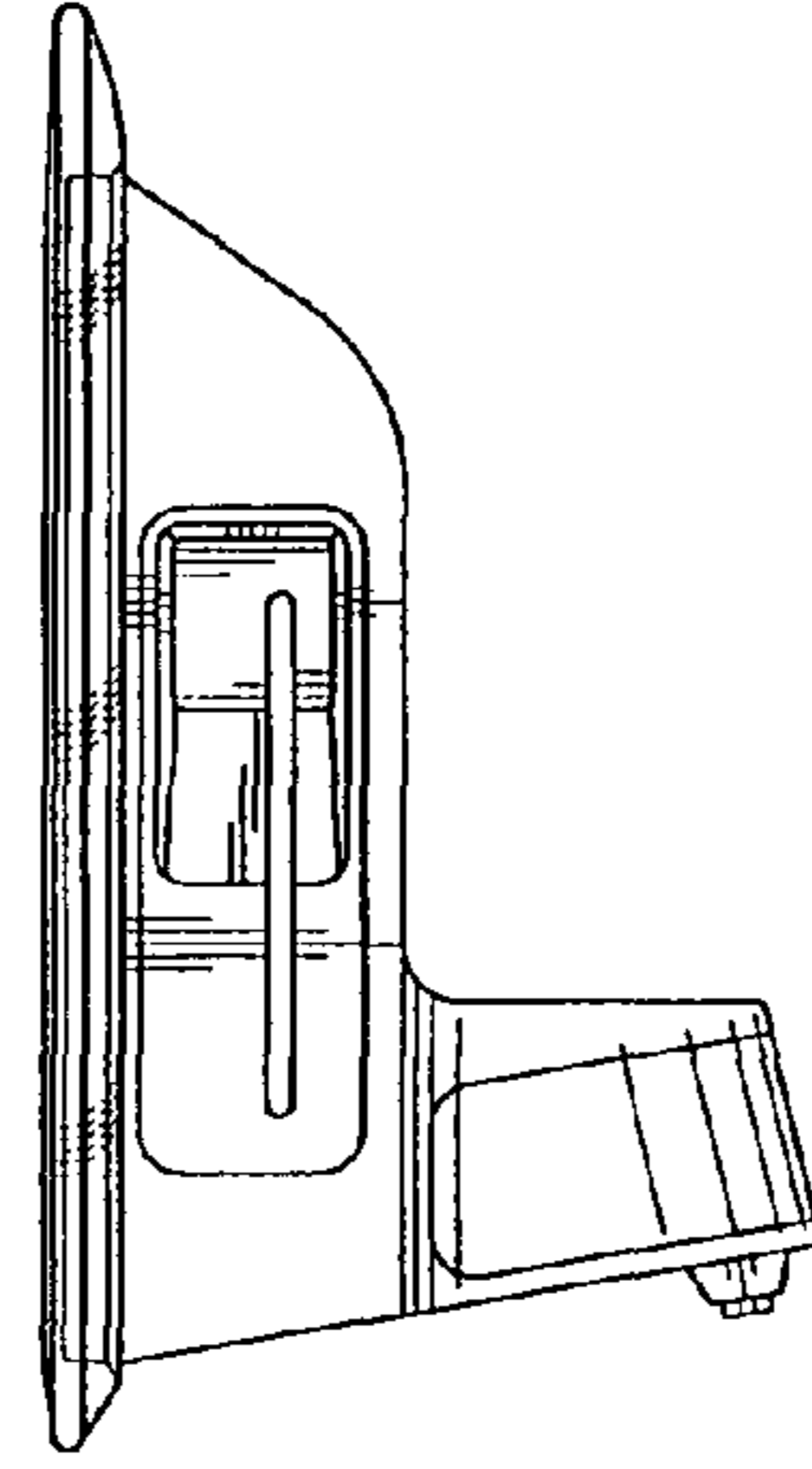


FIG. 5

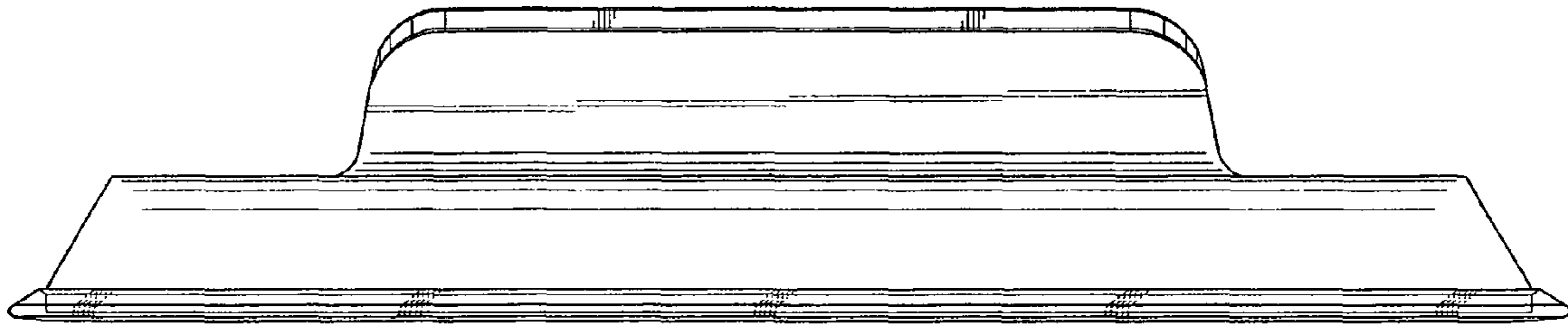


FIG. 6

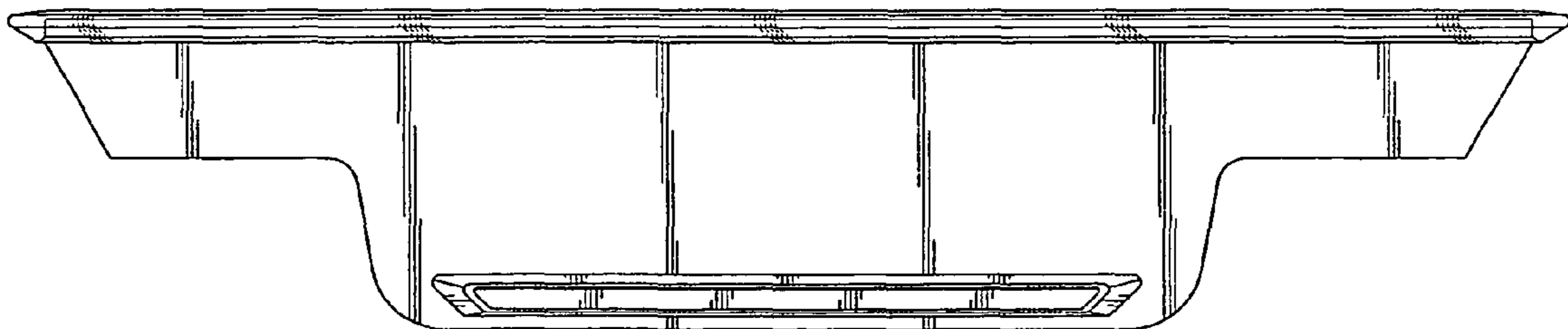


FIG. 7