



US00D635530S

(12) **United States Design Patent**
Sung et al.

(10) **Patent No.:** **US D635,530 S**

(45) **Date of Patent:** **** Apr. 5, 2011**

(54) **SET TOP BOX**

(75) Inventors: **Yu-Li Sung**, Kyunggi-do (KR); **Sung-II Bang**, Seoul (KR)

(73) Assignee: **Samsung Electronics Co., Ltd.**,
Kyunggi-do (KR)

(**) Term: **14 Years**

(21) Appl. No.: **29/370,852**

(22) Filed: **Sep. 14, 2010**

(51) **LOC (9) Cl.** **14-03**

(52) **U.S. Cl.** **D14/125**

(58) **Field of Classification Search** D14/125-13,
D14/168, 188, 197, 198, 371, 374-377, 496;
312/7.1, 7.2; 348/836, 838, 180, 184, 325,
348/739; 341/12; 349/58; 720/600, 619,
720/646, 647, 655; 455/347-351; 369/75.11,
369/75.21

See application file for complete search history.

(56) **References Cited**

U.S. PATENT DOCUMENTS

| | | | | | |
|------------|---|---------|------------------|-------|---------|
| D455,409 S | * | 4/2002 | Hsu et al. | | D14/125 |
| D529,879 S | | 10/2006 | Park et al. | | |
| D533,157 S | | 12/2006 | Park | | |
| D541,811 S | | 5/2007 | Park | | |
| D544,455 S | | 6/2007 | Park et al. | | |
| D545,768 S | * | 7/2007 | Hsu | | D13/147 |
| D545,774 S | | 7/2007 | Woo et al. | | |
| D549,191 S | * | 8/2007 | Paradise et al. | | D14/125 |
| D551,183 S | | 9/2007 | Park et al. | | |
| D560,176 S | | 1/2008 | Woo | | |
| D560,177 S | | 1/2008 | Chun et al. | | |
| D560,689 S | | 1/2008 | Cho | | |
| D566,065 S | * | 4/2008 | Whittaker et al. | | D14/125 |
| D567,193 S | | 4/2008 | Kang et al. | | |
| D571,754 S | | 6/2008 | Cho et al. | | |
| D574,793 S | | 8/2008 | Kim et al. | | |
| D584,254 S | | 1/2009 | Jeon et al. | | |
| D584,701 S | | 1/2009 | Kim et al. | | |
| D585,395 S | | 1/2009 | Cho et al. | | |
| D587,223 S | | 2/2009 | Chun | | |

| | | |
|------------|---------|-------------|
| D587,224 S | 2/2009 | Chun et al. |
| D588,559 S | 3/2009 | Kim et al. |
| D592,619 S | 5/2009 | Woo et al. |
| D592,620 S | 5/2009 | Kim et al. |
| D593,971 S | 6/2009 | Kim et al. |
| D593,972 S | 6/2009 | Cho et al. |
| D593,973 S | 6/2009 | Cho et al. |
| D596,149 S | 7/2009 | Cho et al. |
| D599,753 S | 9/2009 | Cho et al. |
| D602,887 S | 10/2009 | Cho et al. |
| D602,888 S | 10/2009 | Cho et al. |
| D602,889 S | 10/2009 | Cho et al. |
| D602,890 S | 10/2009 | Cho et al. |

(Continued)

OTHER PUBLICATIONS

U.S. Appl. No. 29/370,856, Applicant: Chul-Yong Cho, et al., filed Sep. 14, 2010 entitled Set Top Box.

U.S. Appl. No. 29/370,855, Applicant: Chul-Yong Cho, et al., filed Sep. 14, 2010 entitled Set Top Box.

U.S. Appl. No. 29/370,854, Applicant: Yu-Li Sung, et al., filed Sep. 14, 2010 entitled Set Top Box.

(Continued)

Primary Examiner — Raphael Barkai

Assistant Examiner — Randall Gholson

(74) *Attorney, Agent, or Firm* — Flynn, Thiel, Boutell & Tanis, P.C.

(57) **CLAIM**

The ornamental design for a set top box, as shown and described.

DESCRIPTION

FIG. 1 is a top front perspective view of a set top box showing our new design;

FIG. 2 is a front elevational view thereof;

FIG. 3 is a rear elevational view thereof;

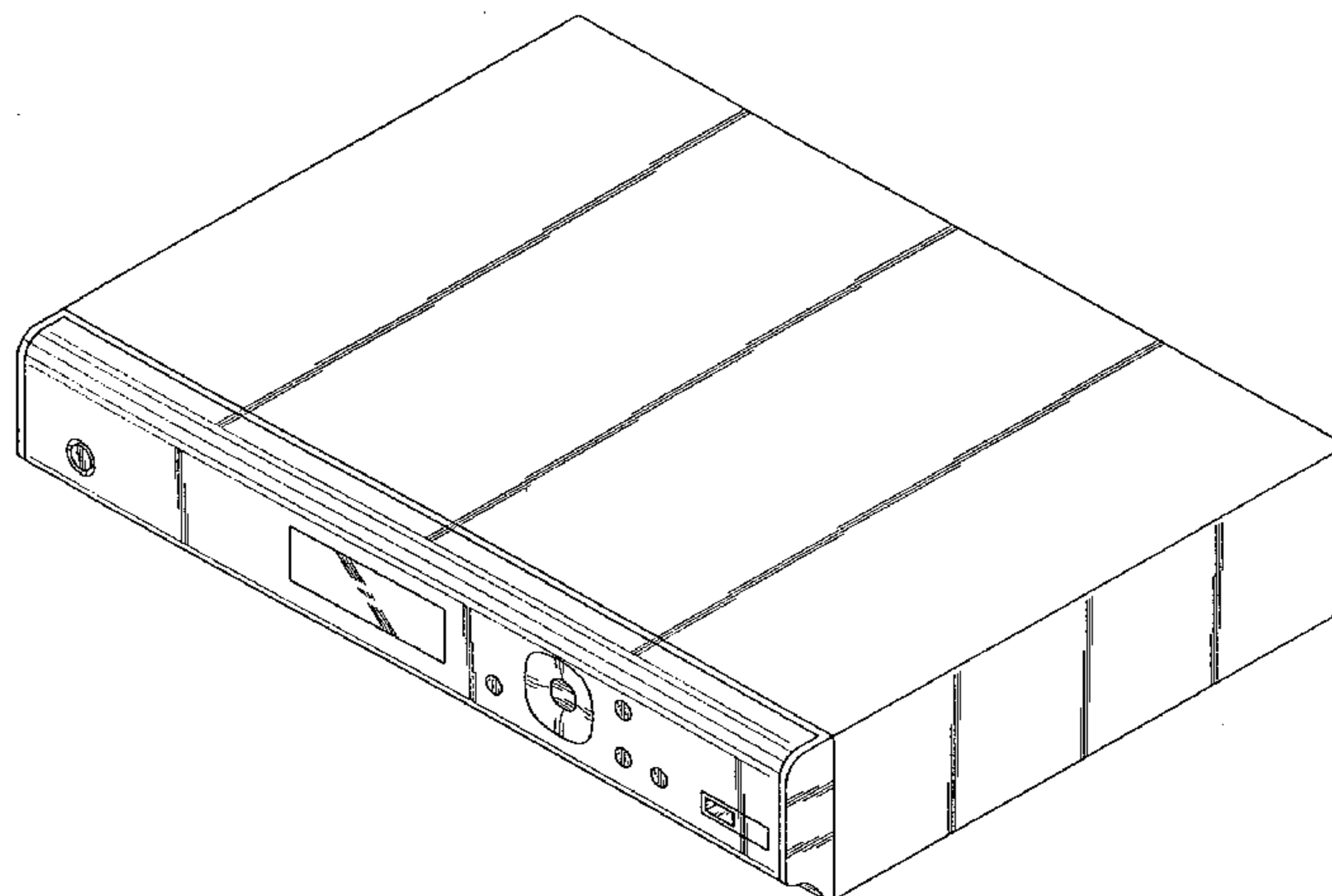
FIG. 4 is a left side elevational view thereof;

FIG. 5 is a right side elevational view thereof;

FIG. 6 is a top plan view thereof; and,

FIG. 7 is a bottom plan view thereof.

1 Claim, 3 Drawing Sheets



US D635,530 S

Page 2

U.S. PATENT DOCUMENTS

| | | | |
|--------------|---------|-----------------|---------------|
| D608,310 S | 1/2010 | Cho et al. | |
| D608,744 S | 1/2010 | Kim et al. | |
| D608,745 S | 1/2010 | Cho et al. | |
| D609,656 S | 2/2010 | Cho et al. | |
| D610,102 S | 2/2010 | Cho et al. | |
| D616,466 S * | 5/2010 | Sheppard et al. | D14/501 |
| D620,953 S * | 8/2010 | Andre et al. | D14/496 |
| D623,154 S * | 9/2010 | Tu | D14/125 |
| D626,099 S * | 10/2010 | Huang | D14/125 |

OTHER PUBLICATIONS

U.S. Appl. No. 29/370,853, Applicant: Chul-Yong Cho, et al., filed Sep. 14, 2010 entitled Set Top Box.
U.S. Appl. No. 29/370,857, Applicant: Chul-Yong Cho, et al., filed Sep. 14, 2010 entitled Set Top Box.
U.S. Appl. No. 29/370,860, Applicant: Chul-Yong Cho, et al., filed Sep. 14, 2010 entitled Set Top Box.
* cited by examiner

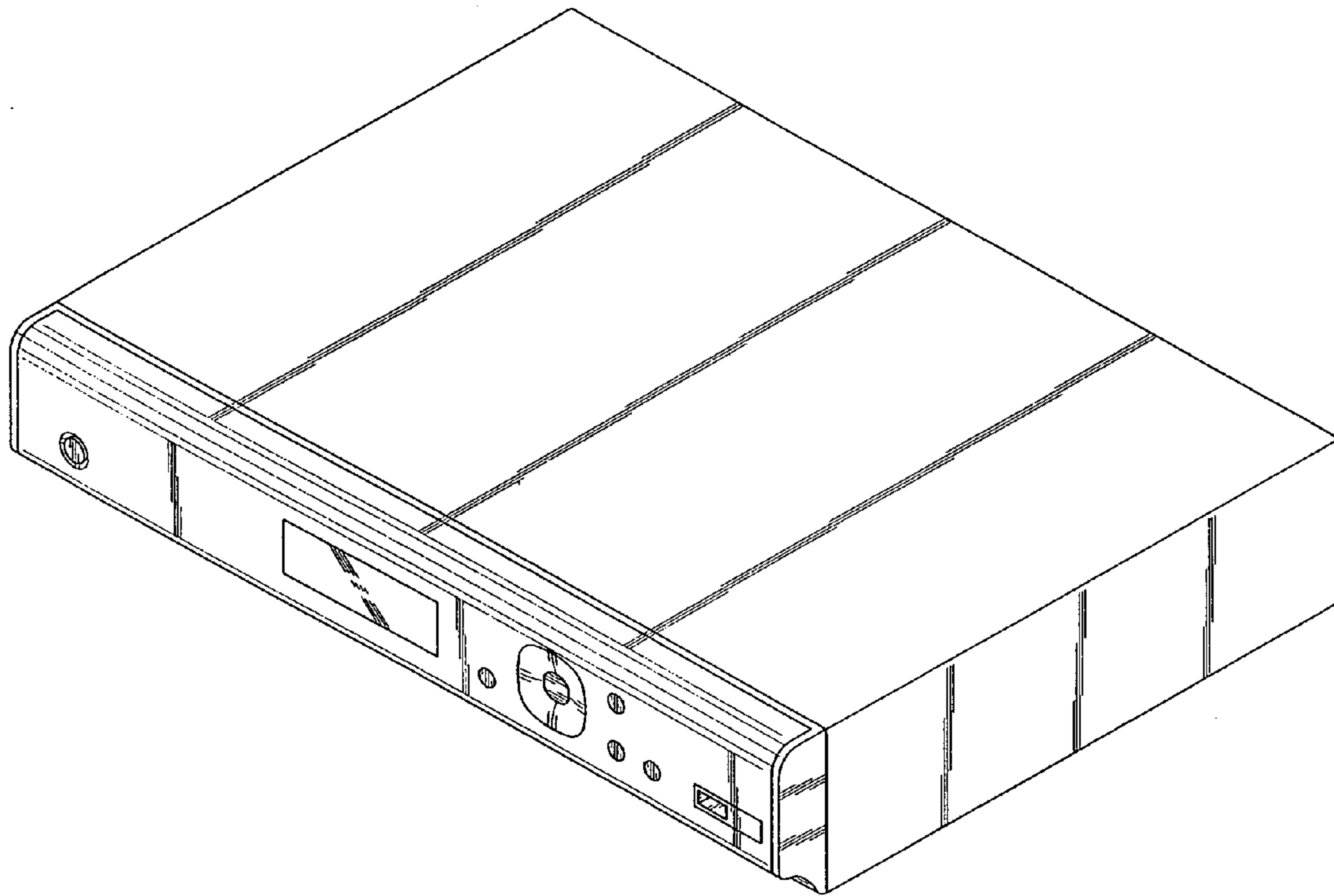


FIG. 1

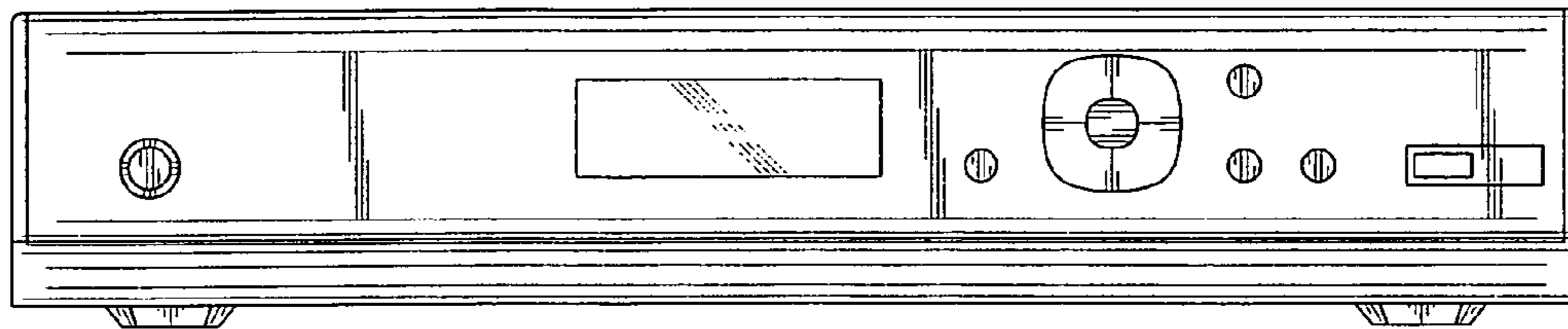


FIG. 2

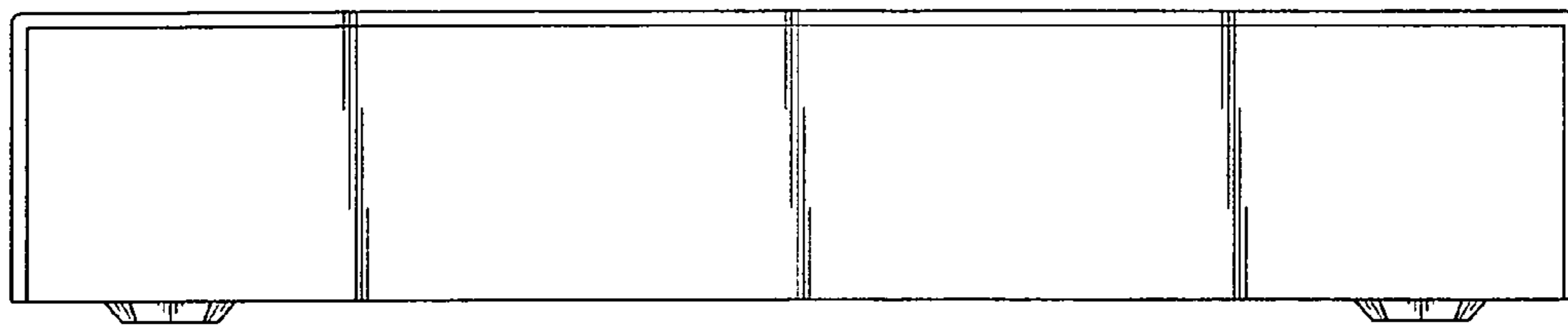


FIG. 3

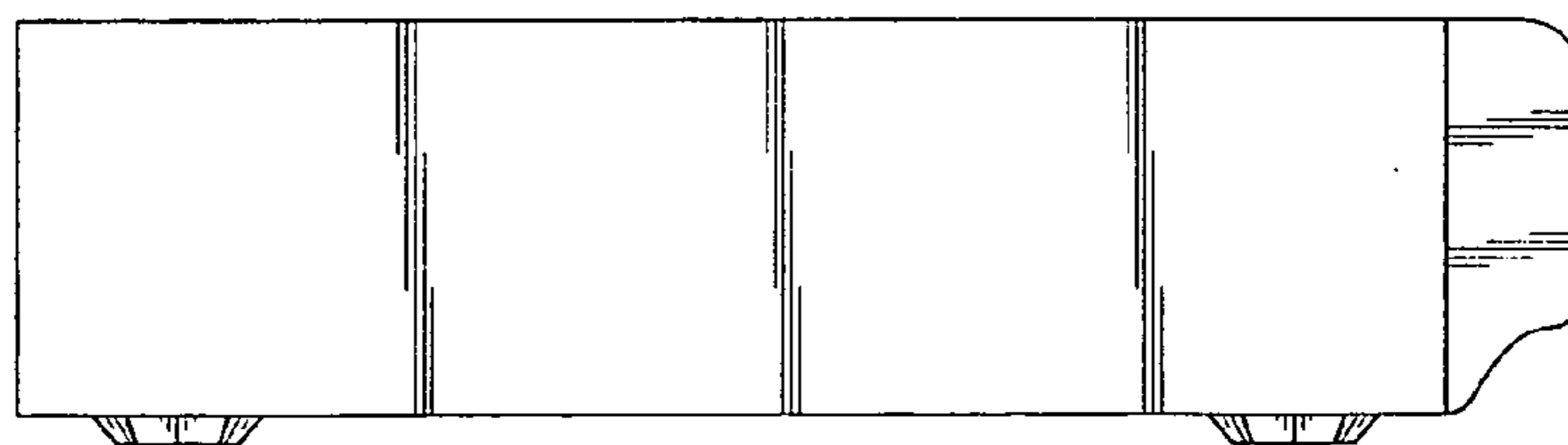


FIG. 4

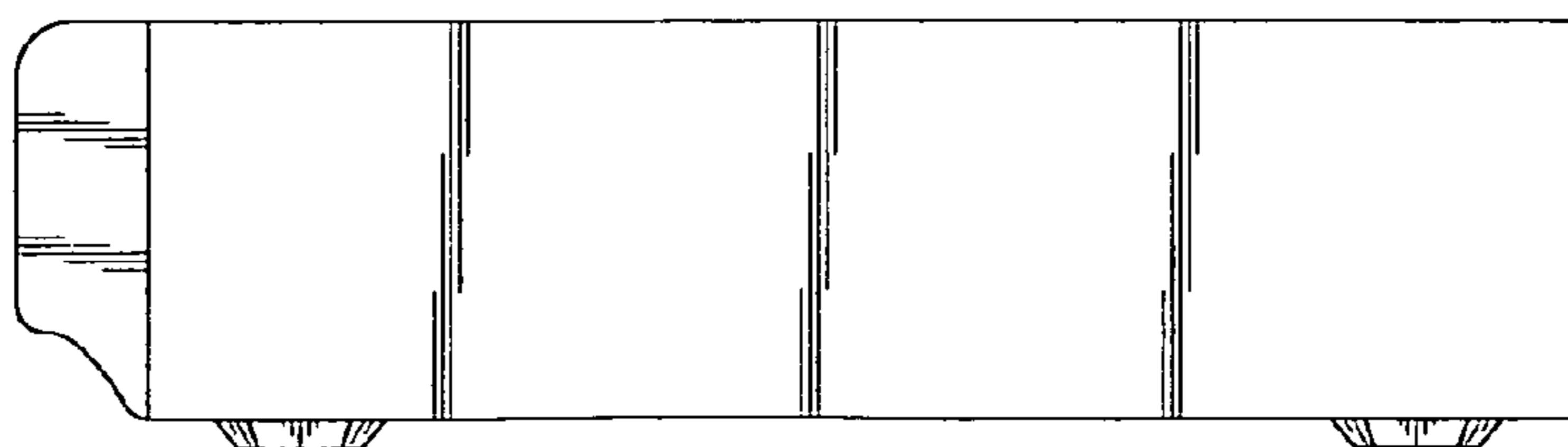


FIG. 5

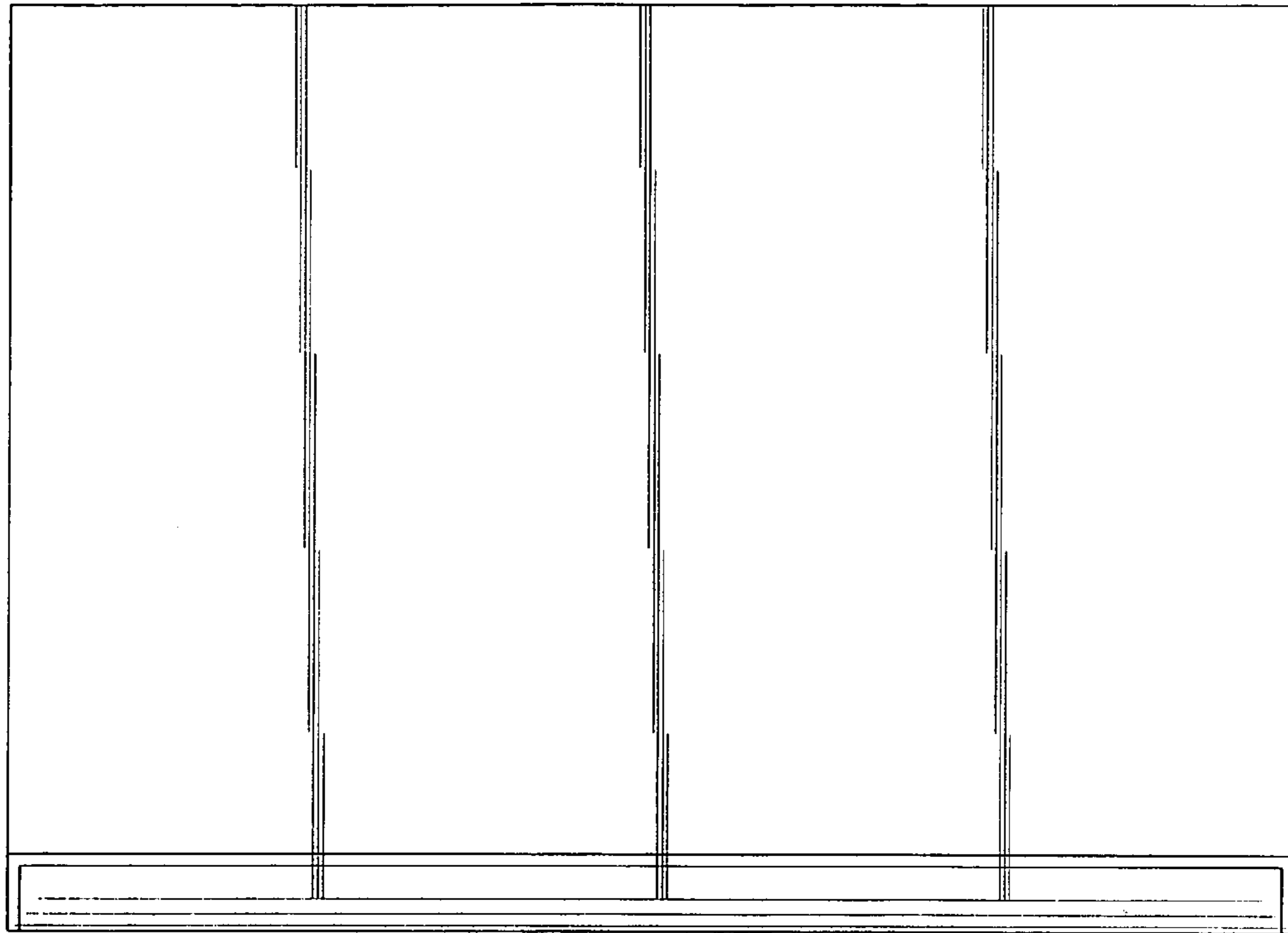


FIG. 6

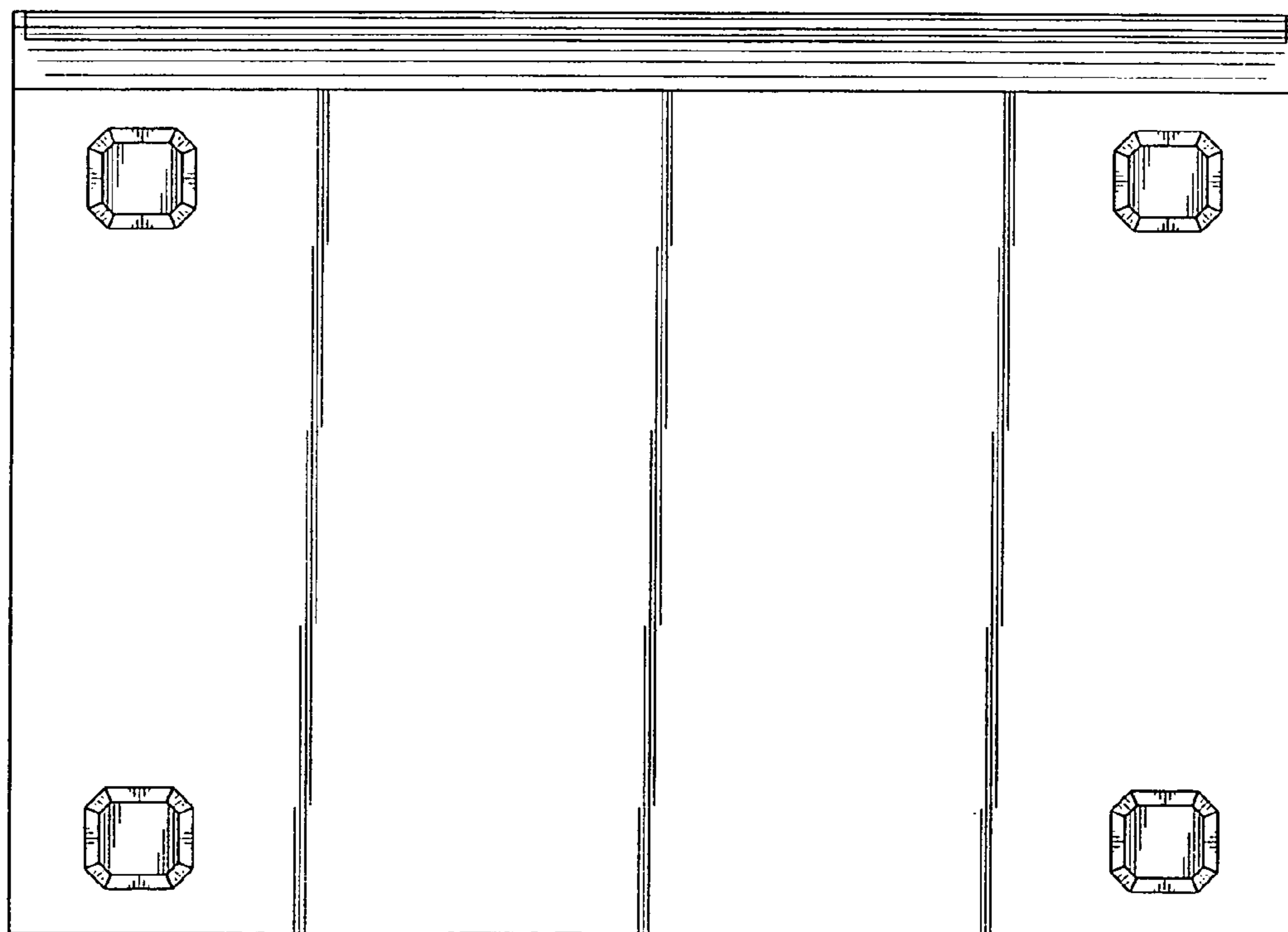


FIG. 7