



US00D635529S

(12) **United States Design Patent**  
**Hsu**

(10) **Patent No.:** **US D635,529 S**  
(45) **Date of Patent:** **\*\* Apr. 5, 2011**

(54) **LIGHT EMITTING DIODE PACKAGING CARRIER**

(75) Inventor: **Chin-Chang Hsu**, Pingtung County (TW)

(73) Assignee: **Lextar Electronics Corp.**, Hsinchu (TW)

(\*\*) Term: **14 Years**

(21) Appl. No.: **29/366,454**

(22) Filed: **Jul. 26, 2010**

(30) **Foreign Application Priority Data**

Feb. 12, 2010 (TW) ..... 99300770

(51) **LOC (9) Cl.** ..... **13-03**

(52) **U.S. Cl.** ..... **D13/180**

(58) **Field of Classification Search** ..... D13/180;  
D26/2; 257/79, 80, 81, 88, 89, 95, 98, 99,  
257/100, E33.058; 313/483, 498, 500; 362/555,  
362/800

See application file for complete search history.

(56) **References Cited**

**U.S. PATENT DOCUMENTS**

D576,570 S \* 9/2008 Chen et al. .... D13/180  
D578,084 S \* 10/2008 Kobayakawa ..... D13/180

D595,244 S \* 6/2009 In et al. .... D13/180  
D595,245 S \* 6/2009 Kim et al. .... D13/180  
D596,591 S \* 7/2009 In et al. .... D13/180  
D608,309 S \* 1/2010 Kim ..... D13/180  
D611,012 S \* 3/2010 Hsieh ..... D13/180  
D621,801 S \* 8/2010 Hsieh ..... D13/180  
D626,095 S \* 10/2010 Hsieh ..... D13/180

\* cited by examiner

*Primary Examiner* — Selina Sikder

(74) *Attorney, Agent, or Firm* — Schmeiser, Olsen & Watts LLP

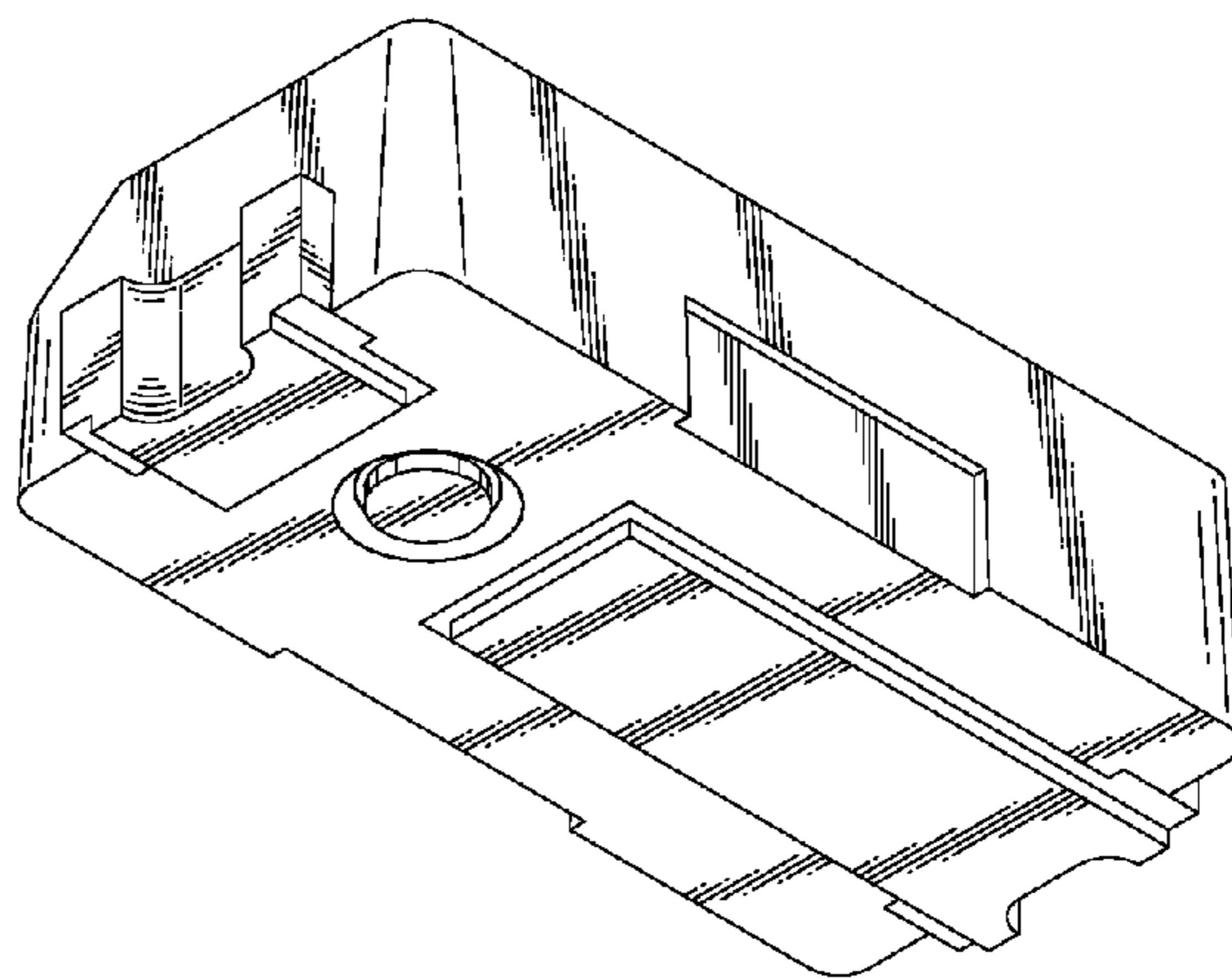
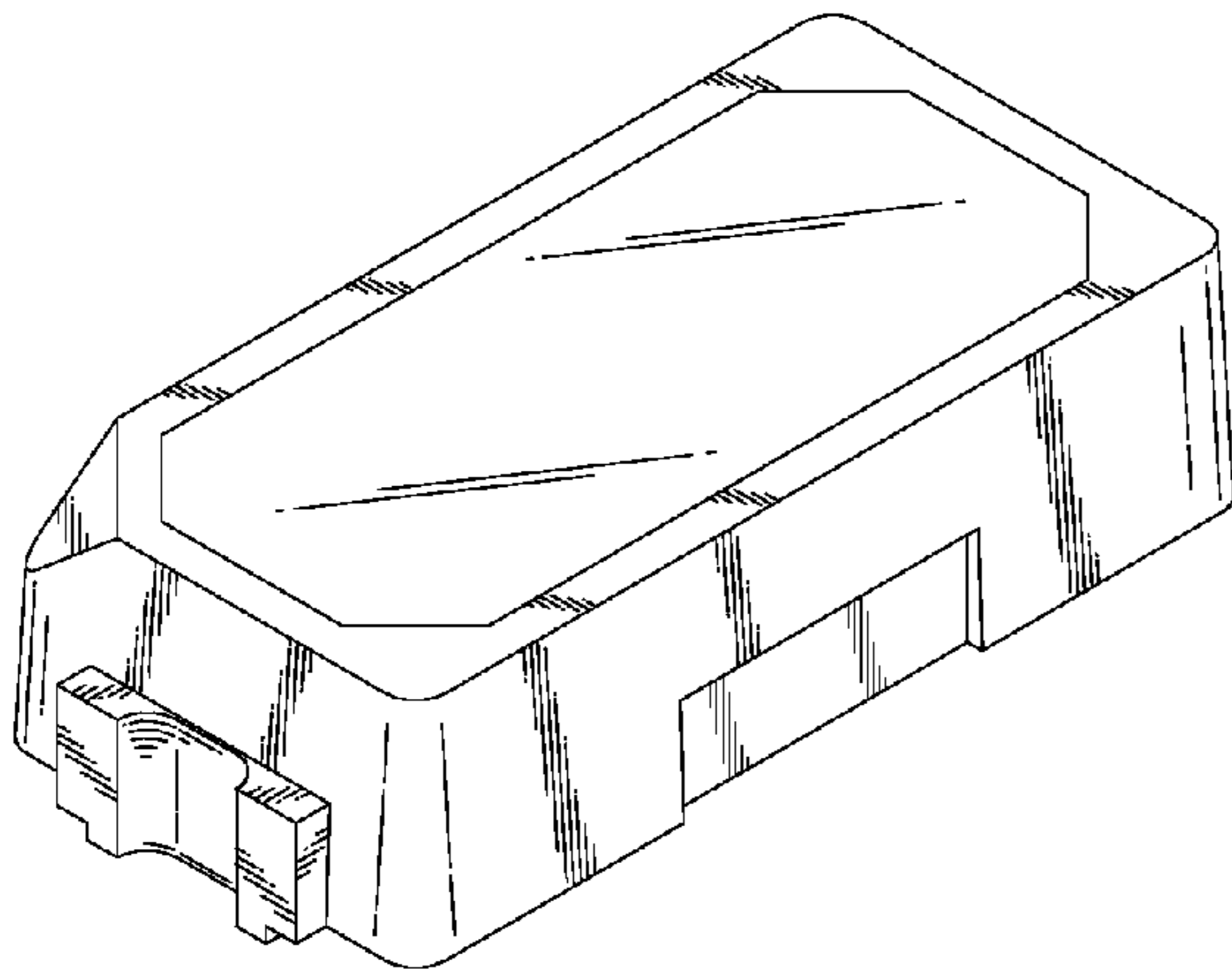
(57) **CLAIM**

I claim the ornamental design for a light emitting diode packaging carrier, as shown and described.

**DESCRIPTION**

FIG. 1 is a front perspective view of the packaging carrier showing his new design;  
FIG. 2 is a front elevational view thereof;  
FIG. 3 is a rear elevational view thereof;  
FIG. 4 is a left side elevational view thereof;  
FIG. 5 is a right side elevational view thereof;  
FIG. 6 is a top plan view thereof; and  
FIG. 7 is a bottom plan view thereof; and  
FIG. 8 is another side perspective view thereof.

**1 Claim, 4 Drawing Sheets**



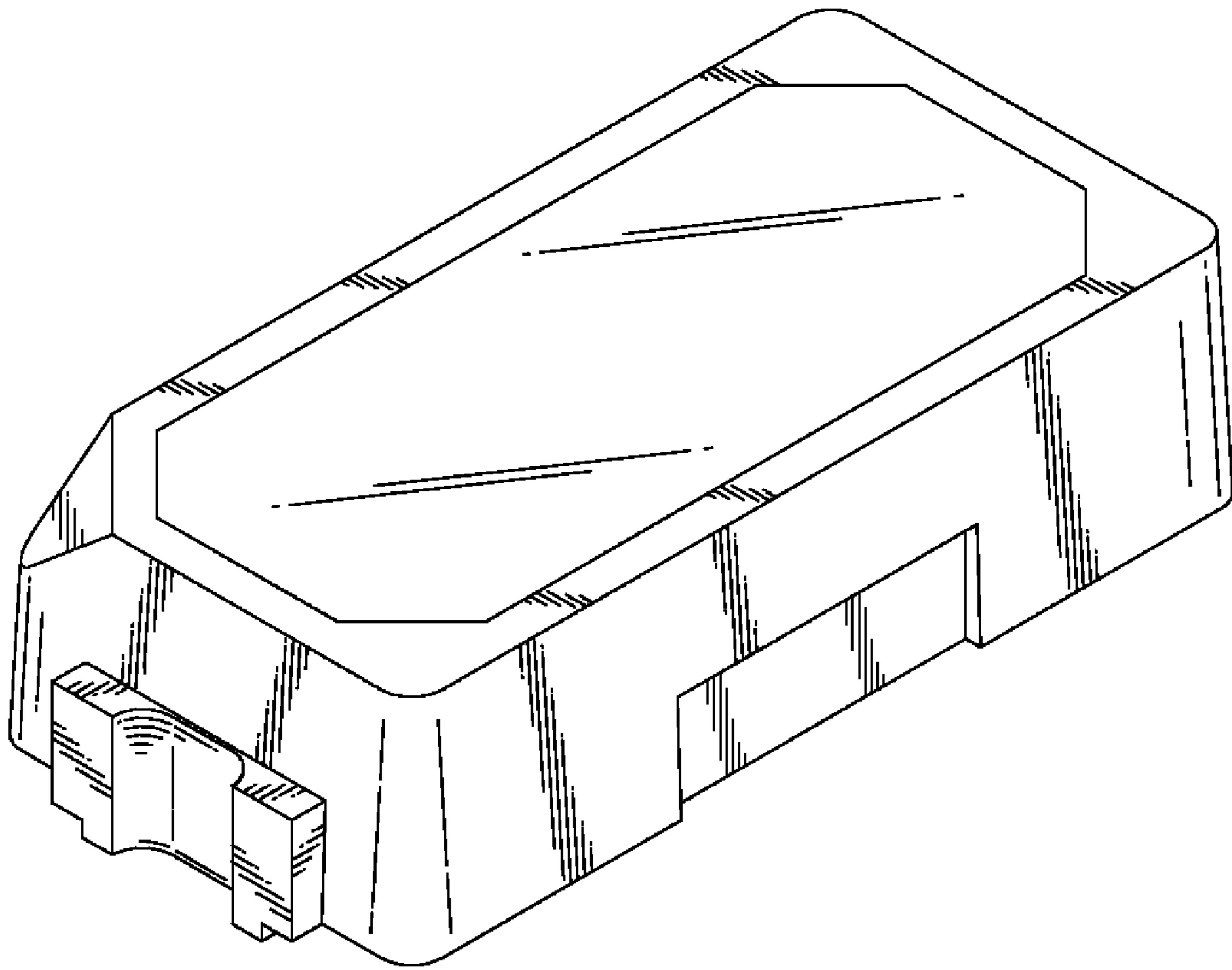


FIG. 1

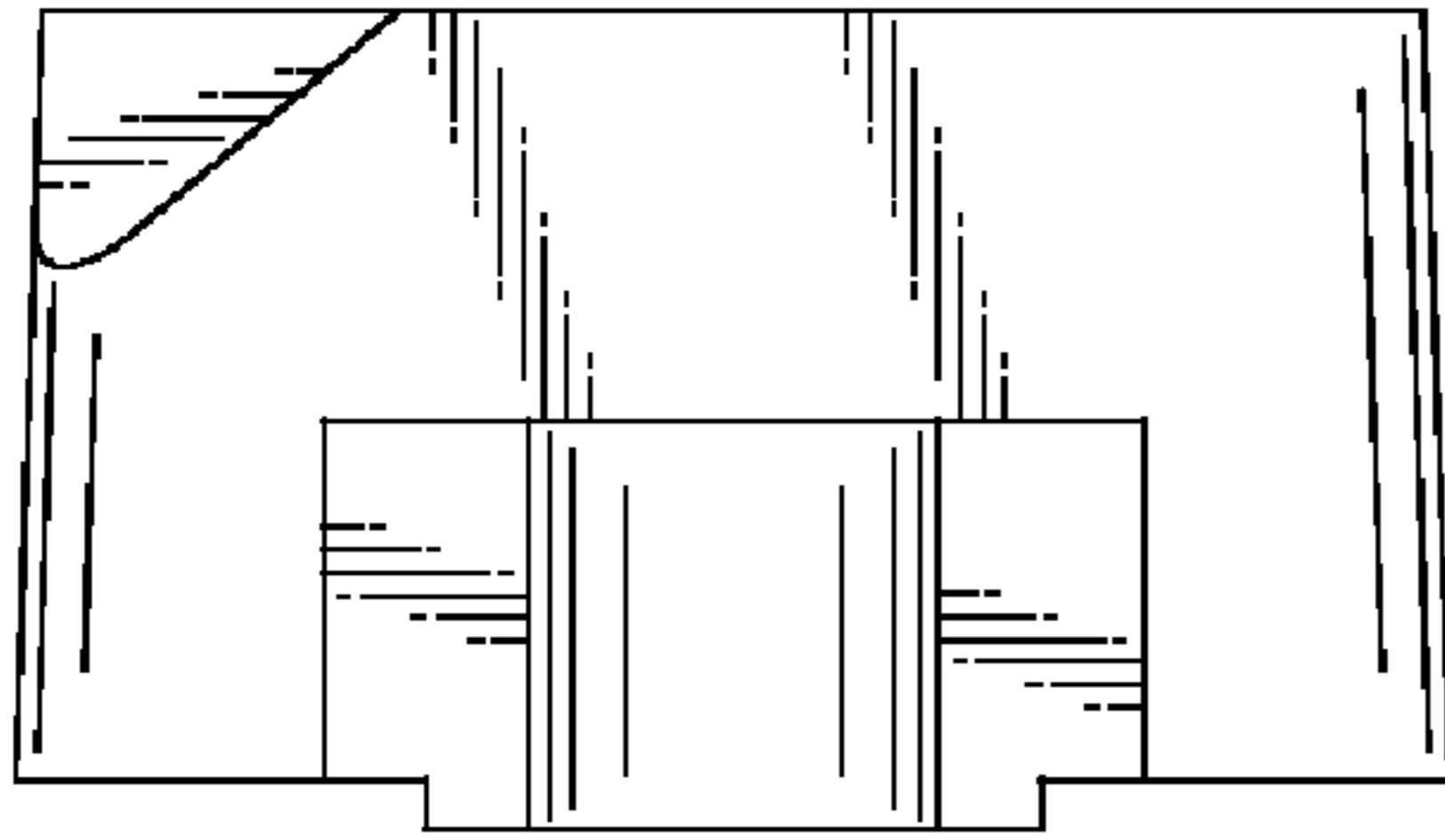


FIG. 2

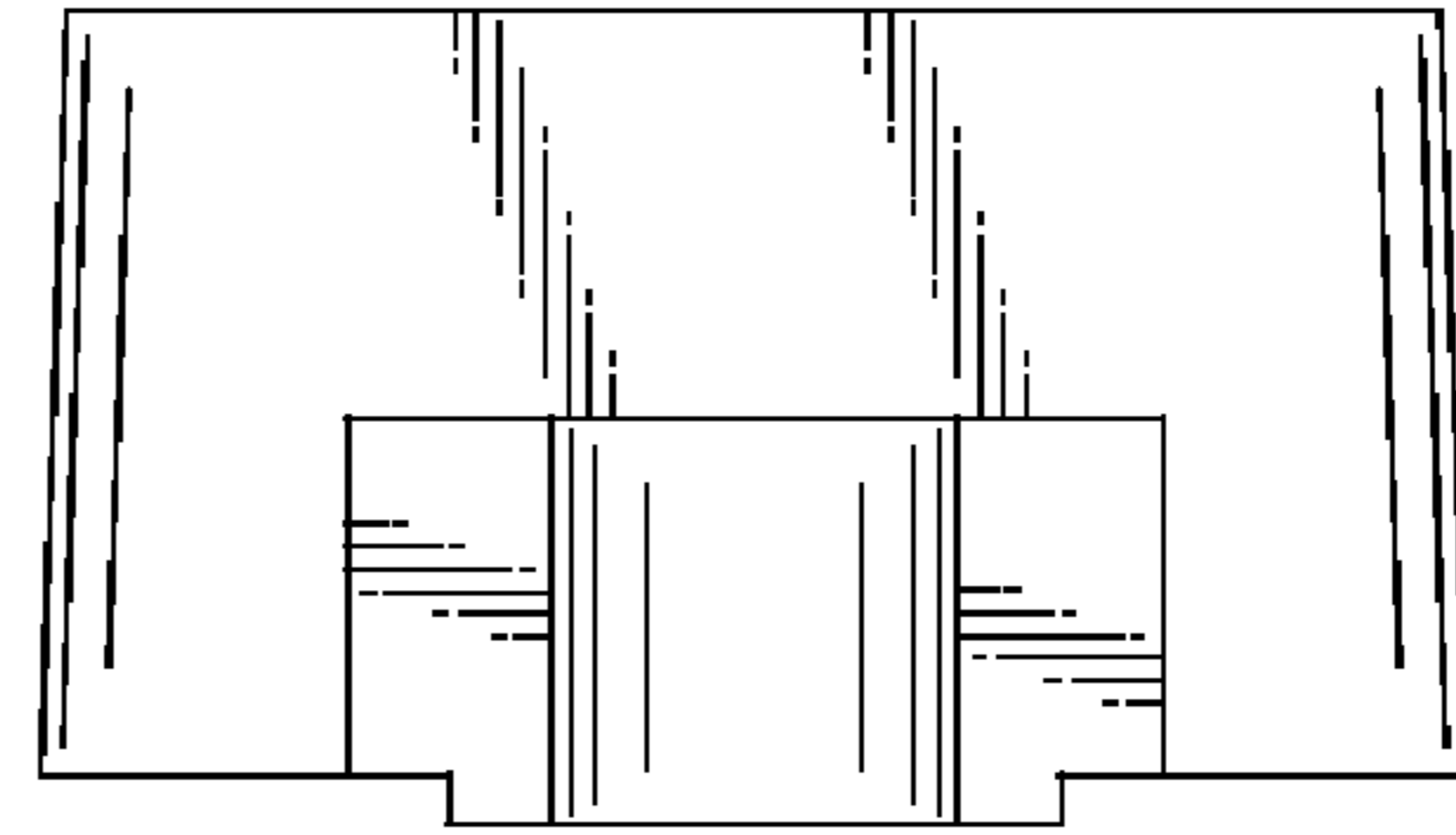


FIG. 3

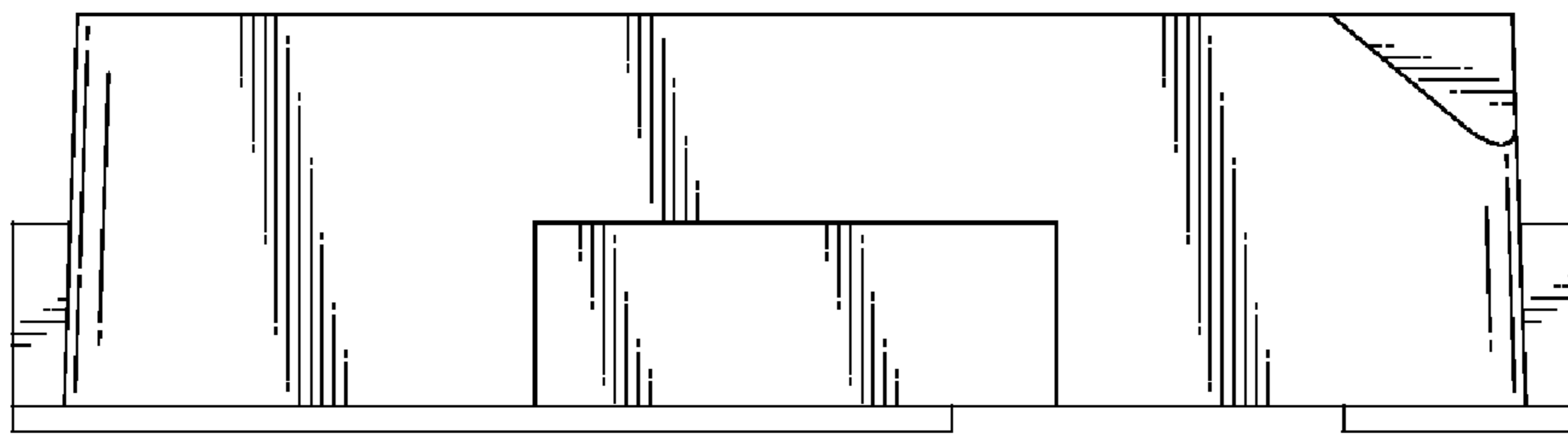


FIG. 4

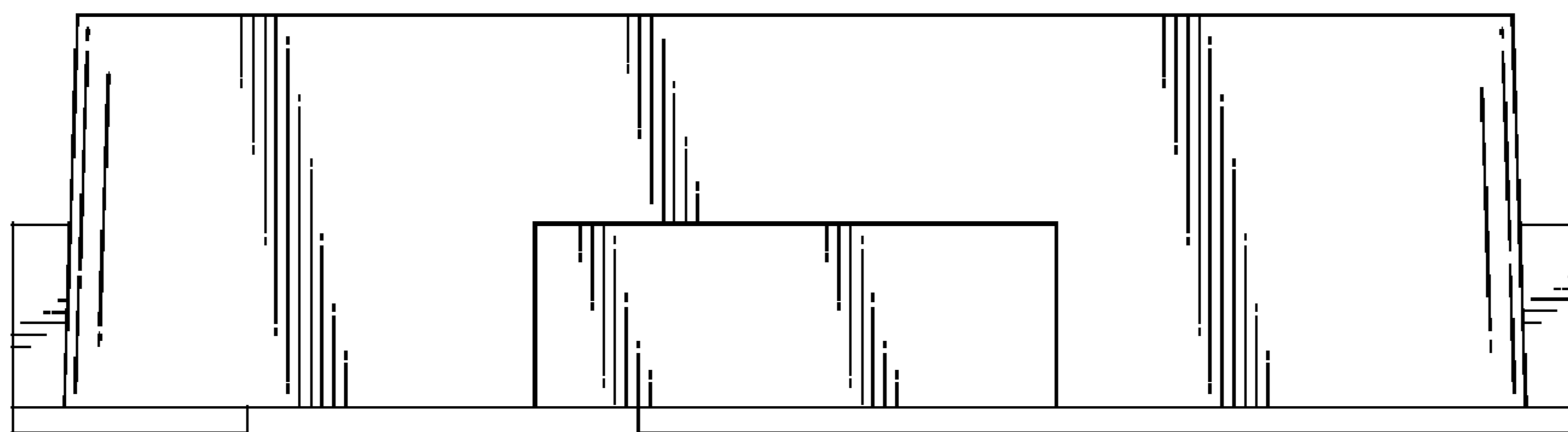


FIG. 5

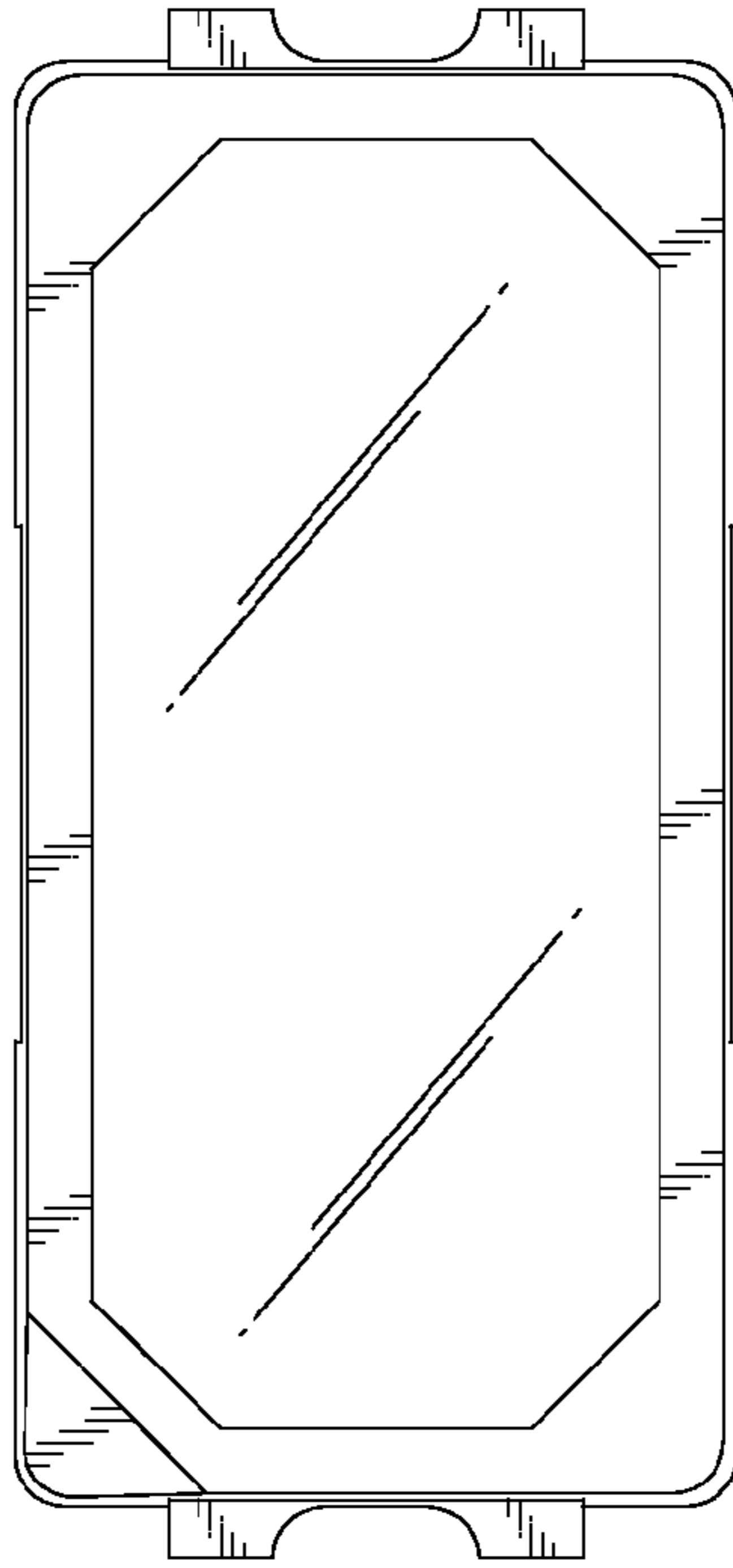


FIG. 6

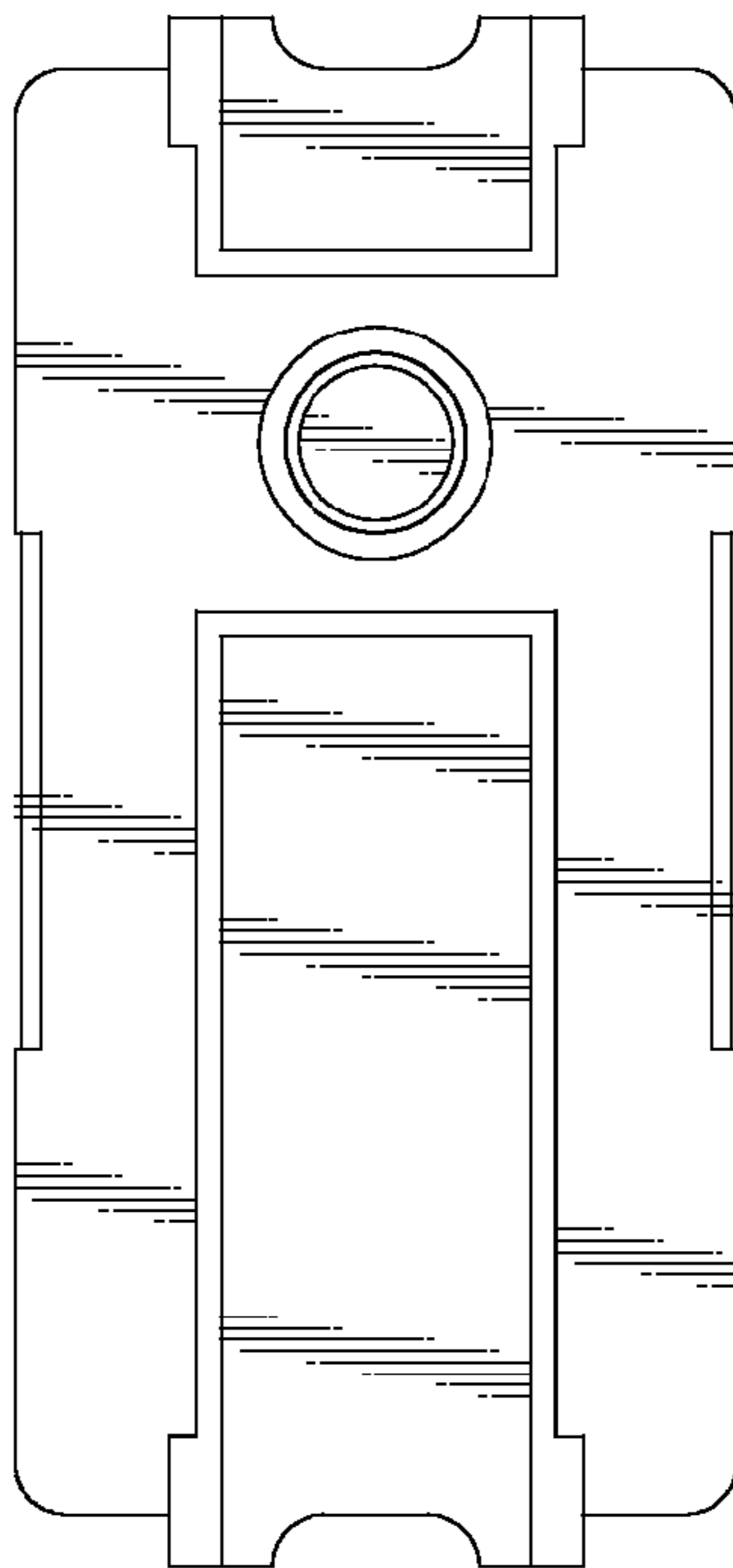


FIG. 7

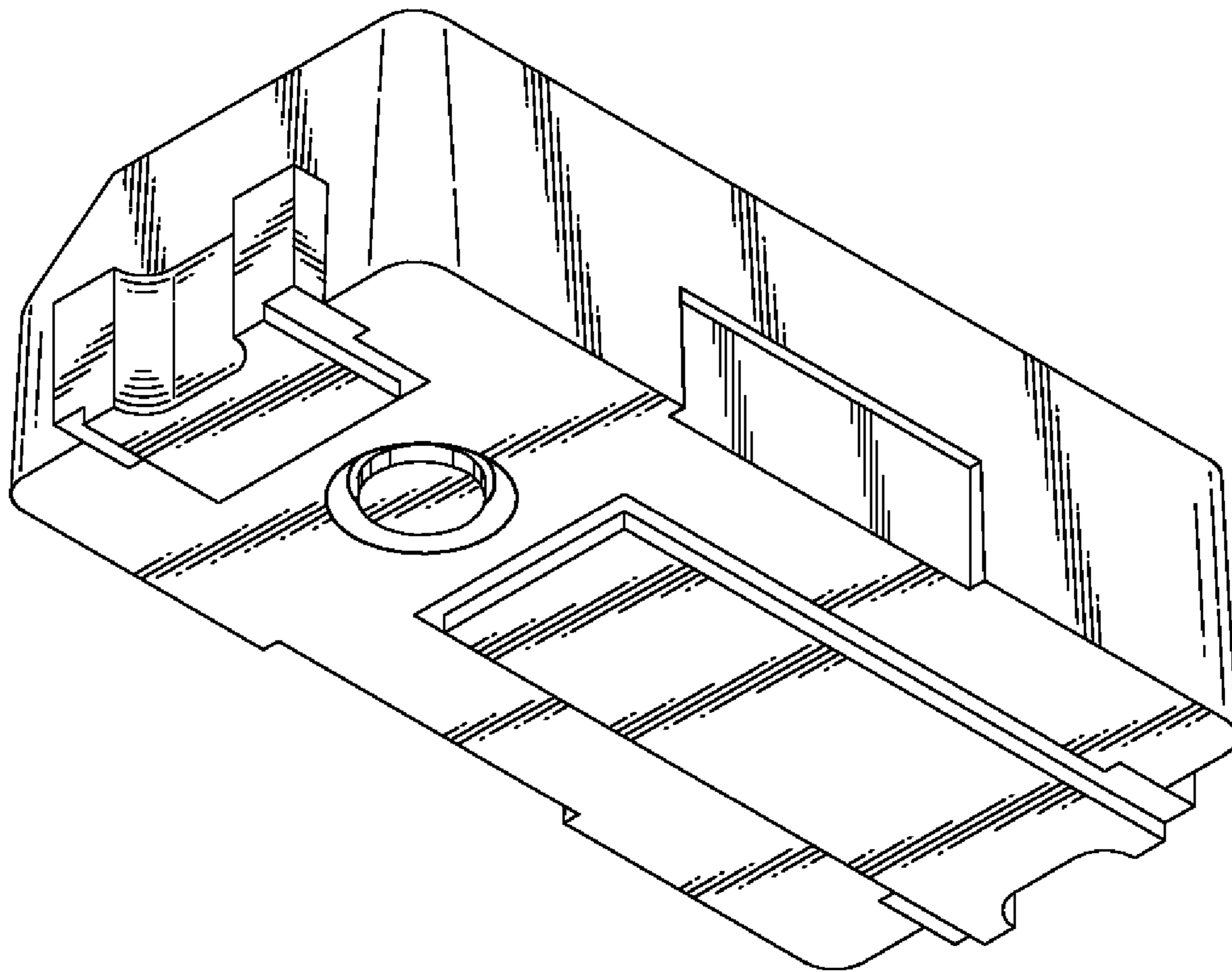


FIG. 8