

US00D635527S

(12) **United States Design Patent**
Hussell et al.

(10) **Patent No.:** **US D635,527 S**
(45) **Date of Patent:** **** *Apr. 5, 2011**

(54) **LIGHT EMITTING DIODE**
(75) Inventors: **Christopher P. Hussell**, Cary, NC (US);
Ban P. Loh, Durham, NC (US); **Shuying Huang**, Apex, NC (US)
(73) Assignee: **Cree, Inc.**, Durham, NC (US)
(**) Term: **14 Years**

D595,675 S 7/2009 Wang et al.
D598,400 S * 8/2009 Bando D13/180
D614,592 S 4/2010 Hussell et al.
D615,504 S 5/2010 Keller et al.
7,719,024 B2 5/2010 Bando
D621,799 S * 8/2010 Hussell et al. D13/180
2002/0004251 A1 1/2002 Roberts et al.
2004/0126913 A1 7/2004 Loh
2006/0175716 A1 8/2006 Nakashima
2008/0006837 A1 1/2008 Park et al.

(Continued)

(21) Appl. No.: **29/353,652**

(22) Filed: **Jan. 12, 2010**

Related U.S. Application Data

(63) Continuation of application No. 29/330,657, filed on Jan. 12, 2009, now Pat. No. Des. 621,799.

(51) **LOC (9) Cl.** **13-03**

(52) **U.S. Cl.** **D13/180**

(58) **Field of Classification Search** D13/180;
D26/2; 257/79, 80, 81, 88, 89, 95, 98, 99,
257/100; 313/483, 498, 500; 362/555, 800
See application file for complete search history.

(56) **References Cited**

U.S. PATENT DOCUMENTS

4,679,118 A 7/1987 Johnson et al.
6,610,563 B1 8/2003 Waitl
6,943,433 B2 9/2005 Kamada
7,224,047 B2 5/2007 Carberry et al.
7,244,965 B2 7/2007 Andrews et al.
7,249,790 B2 7/2007 Condie et al.
D573,113 S 7/2008 Bando
D573,114 S 7/2008 Min et al.
7,400,049 B2 7/2008 Shim
7,432,589 B2 * 10/2008 Yamamoto et al. 257/690
D580,375 S 11/2008 Yen
D580,381 S * 11/2008 Bando D13/180
7,456,499 B2 11/2008 Loh
7,462,870 B2 12/2008 Nakashima
D584,699 S * 1/2009 Bando D13/180
D594,827 S 6/2009 Loh et al.
7,564,180 B2 6/2009 Brandes

OTHER PUBLICATIONS

Description Model No. NS6G083 issued by Nichia Corporation—at least as early as Aug. 31, 2007.

(Continued)

Primary Examiner — Selina Sikder

(74) *Attorney, Agent, or Firm* — Jenkins, Wilson, Taylor & Hunt, P.A.

(57) **CLAIM**

The ornamental design for a light emitting diode, as shown and described.

DESCRIPTION

FIG. 1 is a top perspective view of an LED showing our design;

FIG. 2 is a top view thereof;

FIG. 3 is a front view thereof;

FIG. 4 is a rear view thereof;

FIG. 5 is a bottom view thereof opposite the view of FIG. 2;

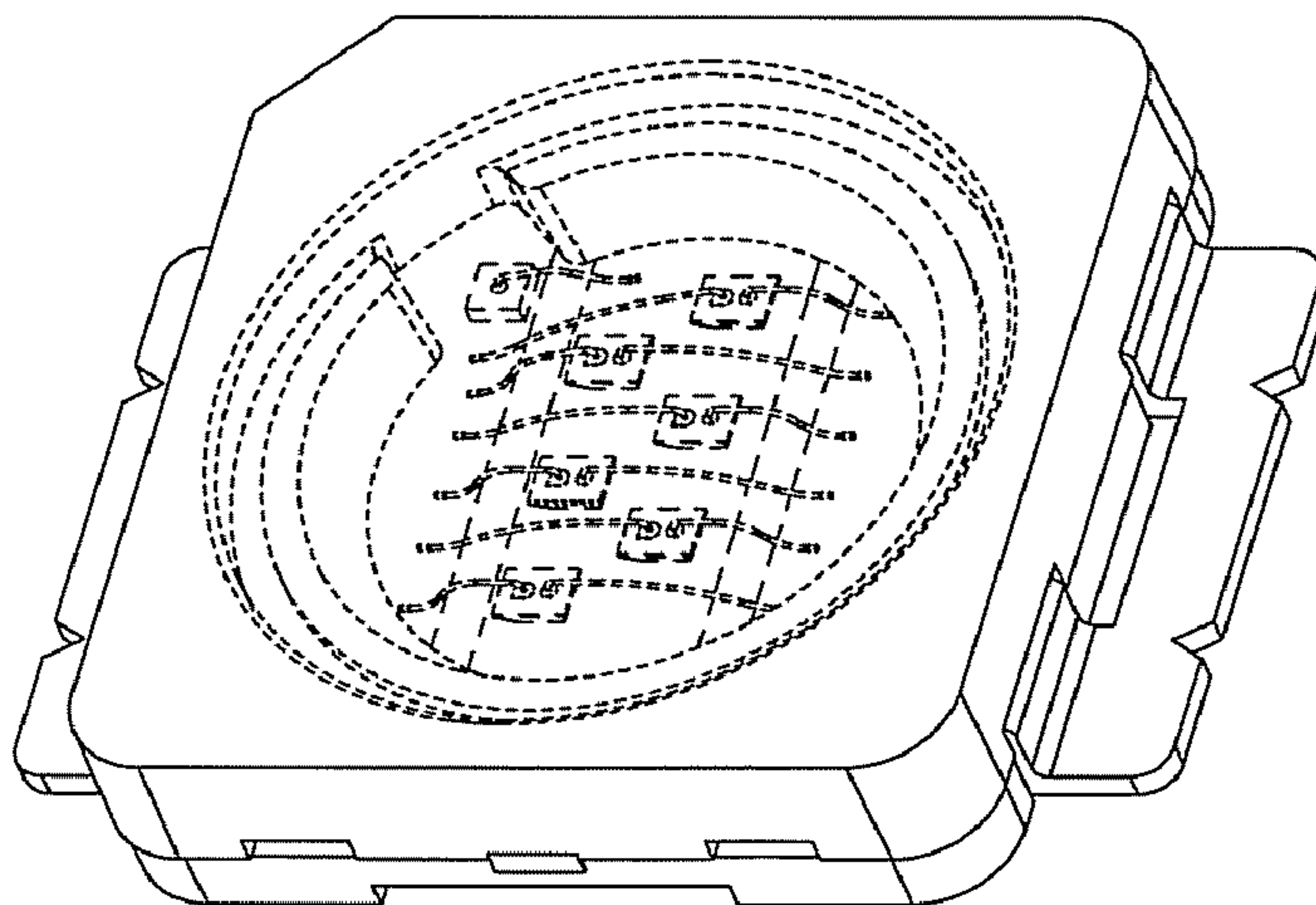
FIG. 6 is a side view thereof;

FIG. 7 is an opposing side view thereof; and,

FIG. 8 is a back perspective view thereof.

The outermost circle shown in broken lines in FIGS. 1 and 2 define the bounds of the claimed design and form no part of the claimed design. The remaining broken lines in FIGS. 1-8 are shown for illustrative purposes only and form not part of the claim design.

1 Claim, 2 Drawing Sheets



US D635,527 S

Page 2

U.S. PATENT DOCUMENTS

2008/0185605 A1 8/2008 Wada et al.
2008/0290353 A1 11/2008 Medendorp et al.
2009/0189178 A1 7/2009 Kim et al.
2010/0133554 A1 6/2010 Hussell
2010/0133578 A1 6/2010 Pickard et al.

OTHER PUBLICATIONS

Description Model No. NS6x083x issued by Nichia Corporation—at least as early as Feb. 17, 2007.

Notice of Allowance from U.S. Appl. No. 29/330,657, filed Dec. 28, 2009.

U.S. Design Appl. No. 29/360,791 filed Apr. 30, 2010.

U.S. Appl. No. 12/825,075 filed Apr. 30, 2010.

Chinese Notice of Patent Grant for CN 200930286397.5 dated May 19, 2010.

Non-final Office Action for U.S. Appl. No. 12/479,318 dated Jun. 2, 2010.

U.S. Design Appl. No. 29/338,186.

Co-pending U.S. Appl. No. 12/498,856.

U.S. Appl. No. 12/853,812 filed Aug. 10, 2010.

Notice of Allowance from U.S. Appl. No. 29/338,186 dated Apr. 16, 2010.

Chinese Certificate of Design Patent for CN 200930286397.5 dated Oct. 6, 2010.

U.S. Appl. No. 61/404,985 filed Oct. 13, 2010.

Non-final Office Action for U.S. Appl. No. 12/479,318 dated Nov. 10, 2010.

* cited by examiner

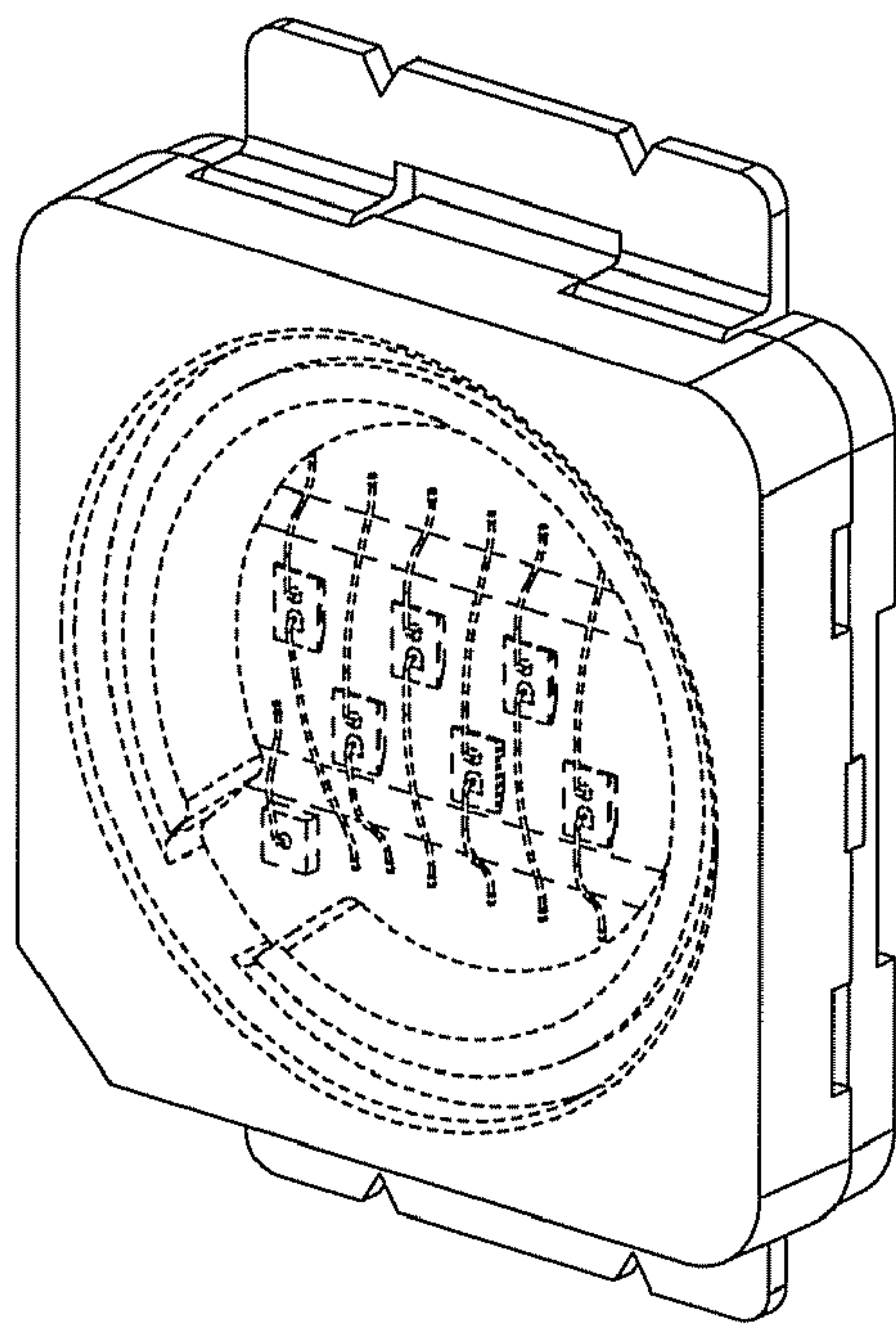


FIG. 1

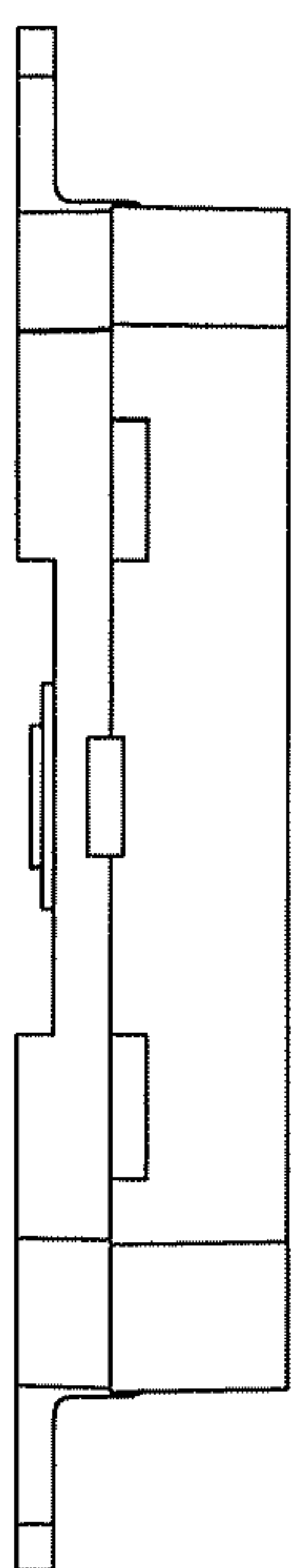


FIG. 3

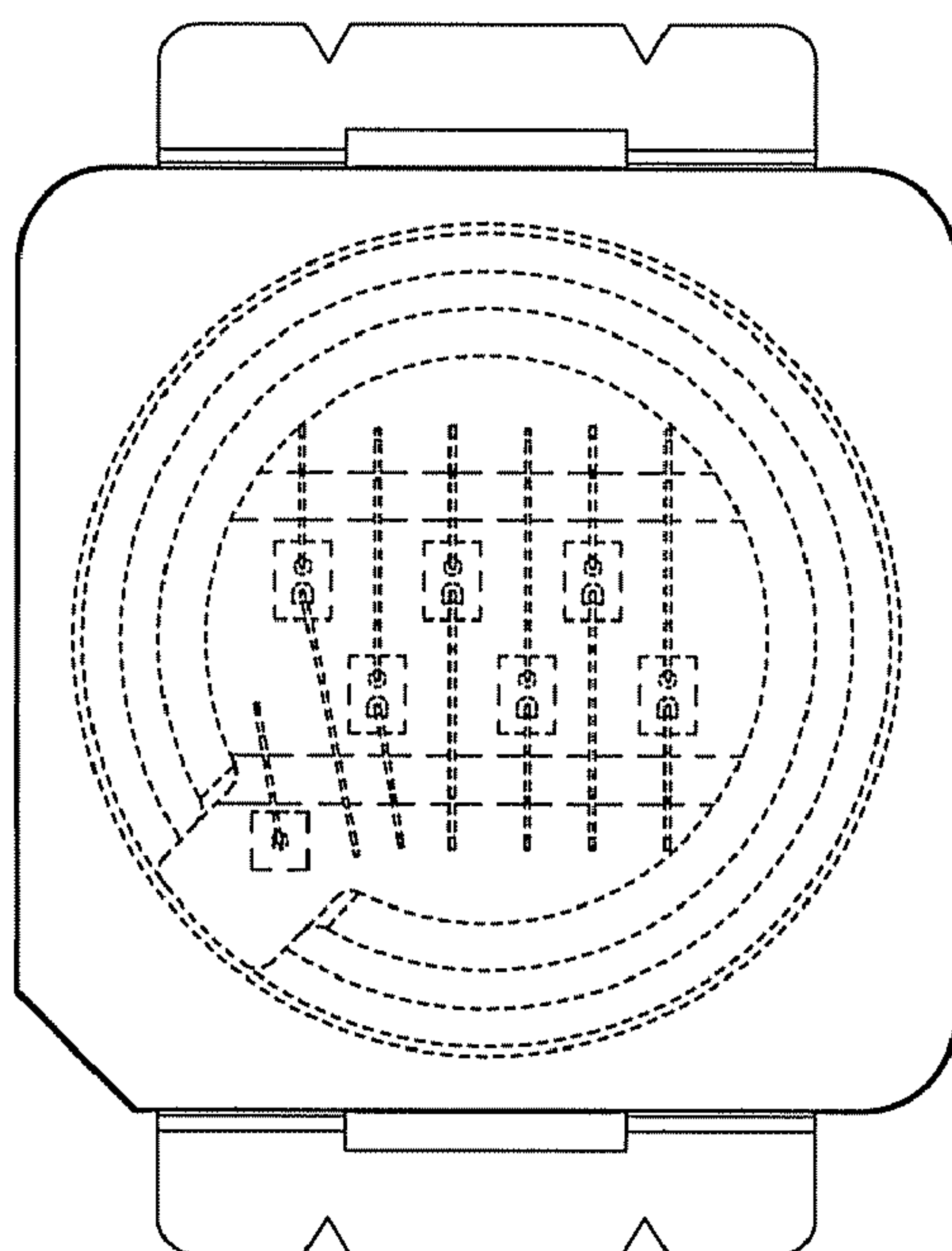


FIG. 2

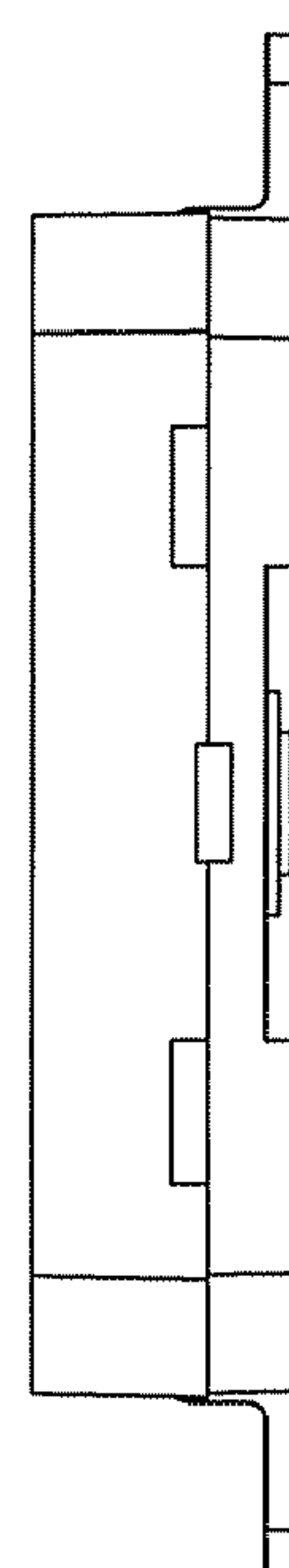


FIG. 4

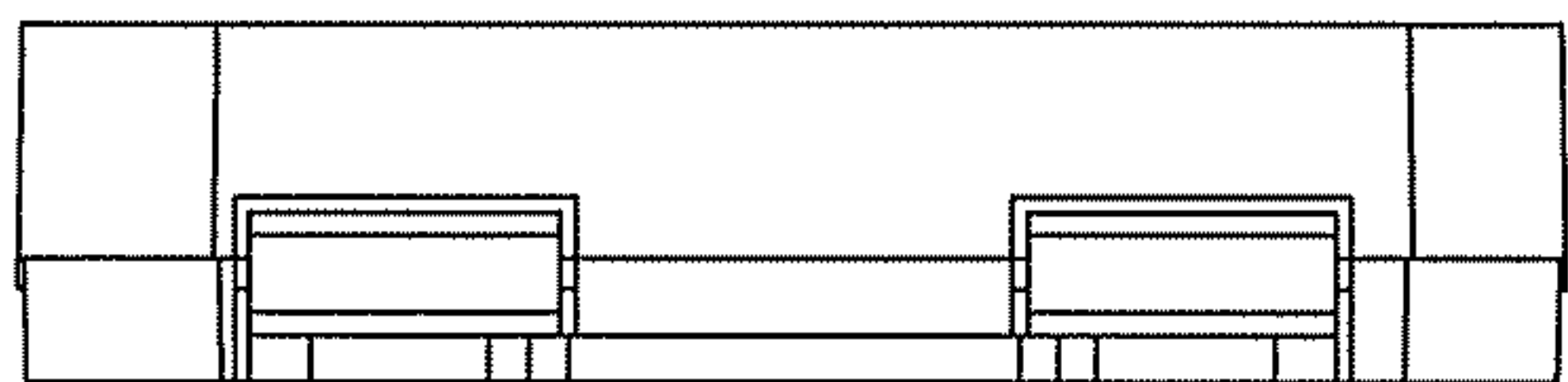


FIG. 7

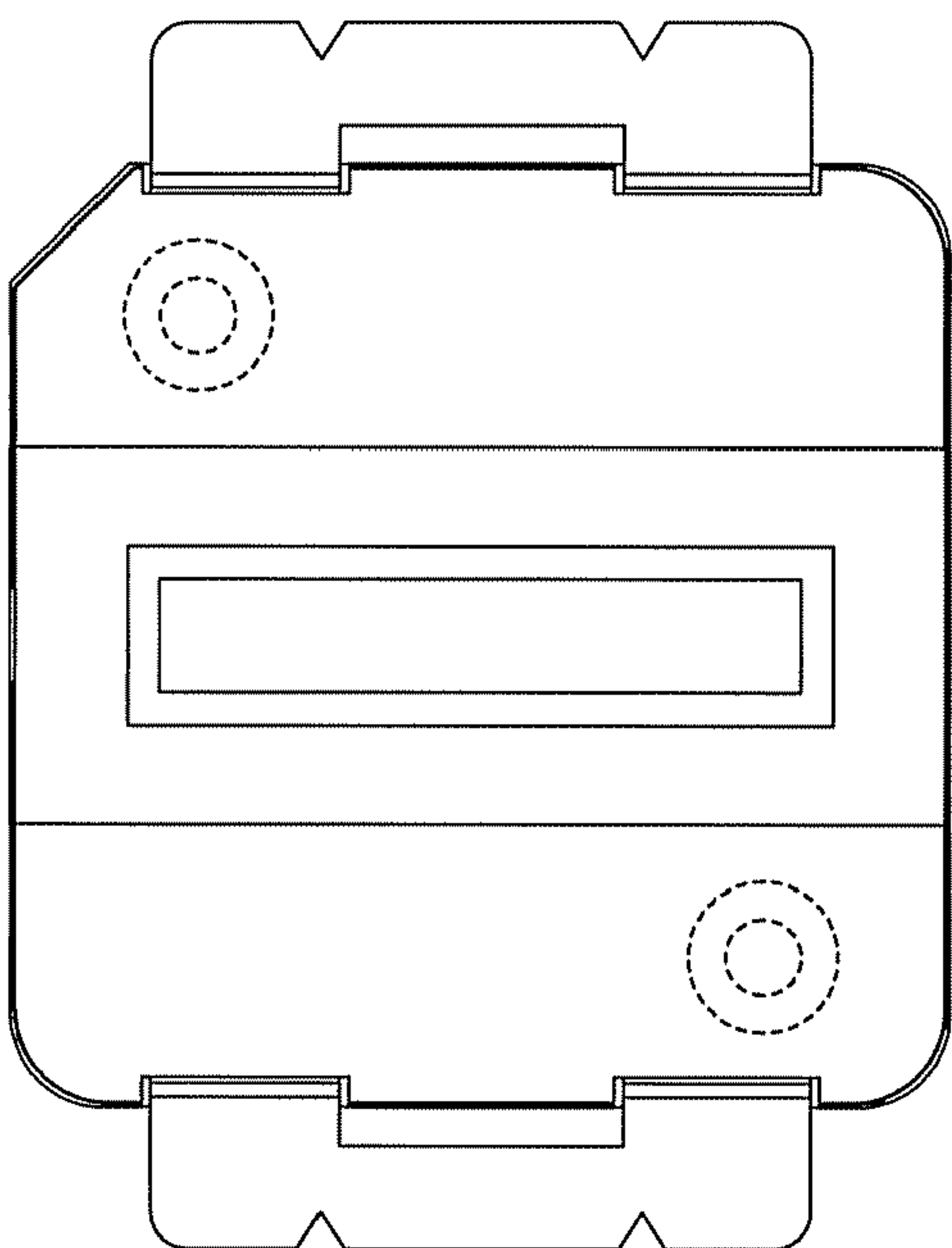


FIG. 5

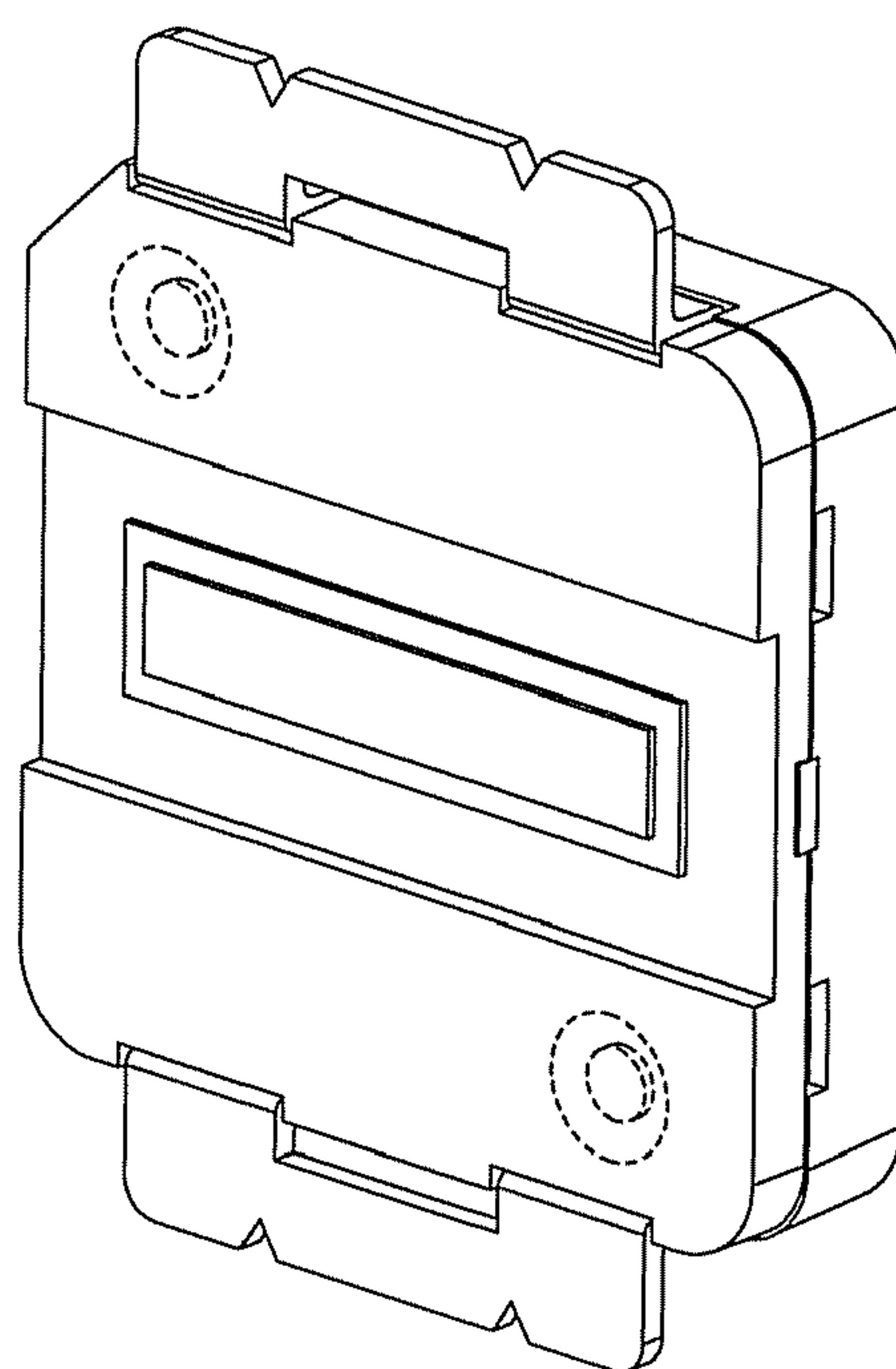


FIG. 8

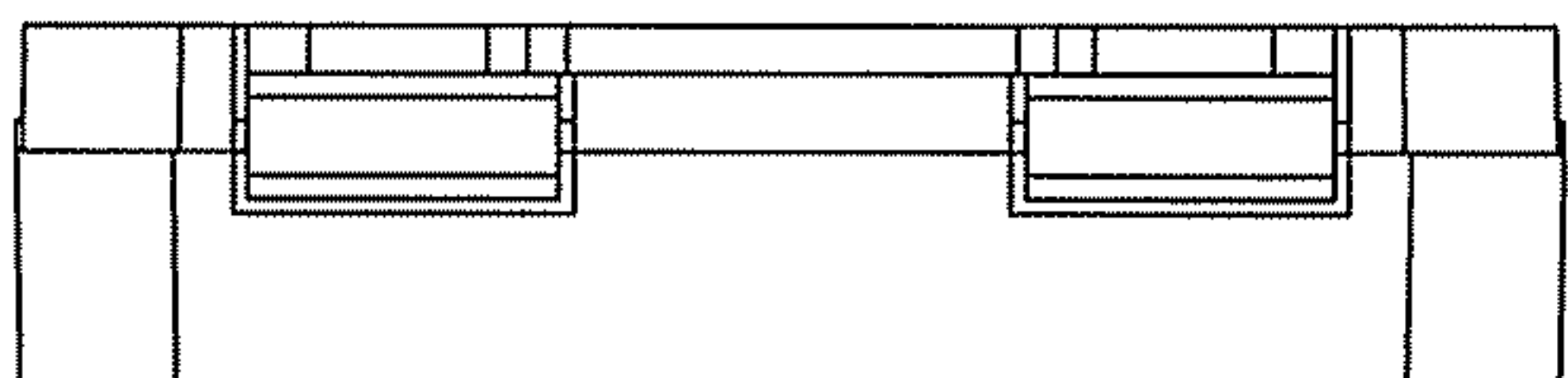


FIG. 6