



US00D635526S

(12) **United States Design Patent**
Hayashi

(10) **Patent No.:** **US D635,526 S**

(45) **Date of Patent:** **** Apr. 5, 2011**

(54) **LIGHT EMITTING DIODE**

(75) Inventor: **Hideki Hayashi**, Komatsushima (JP)

(73) Assignee: **Nichia Corporation** (JP)

(**) Term: **14 Years**

(21) Appl. No.: **29/343,390**

(22) Filed: **Sep. 11, 2009**

(30) **Foreign Application Priority Data**

Mar. 13, 2009 (JP) 2009-005677

(51) **LOC (9) Cl.** **13-03**

(52) **U.S. Cl.** **D13/180**

(58) **Field of Classification Search** D13/180;
D26/2; 257/79, 80, 81, 88, 89, 95, 98, 99,
257/100, E33.058; 313/483, 498, 500; 362/555,
362/800

See application file for complete search history.

(56) **References Cited**

U.S. PATENT DOCUMENTS

D534,132 S *	12/2006	Yoon	D13/180
D589,910 S *	4/2009	Kokubu et al.	D13/180
7,517,110 B2 *	4/2009	Chen	362/235
D599,304 S *	9/2009	Kim et al.	D13/180
D605,609 S *	12/2009	Lee et al.	D13/180
D606,032 S *	12/2009	Lee et al.	D13/180
D611,435 S *	3/2010	Hsieh	D13/180
2010/0001308 A1 *	1/2010	Park et al.	257/99
2010/0109042 A1 *	5/2010	Asakawa	257/99
2010/0171144 A1 *	7/2010	Kong et al.	257/99

FOREIGN PATENT DOCUMENTS

JP	D1349177	1/2009
JP	D1349178	1/2009
JP	D1349692	1/2009
JP	D1349693	1/2009
JP	D1349694	1/2009
JP	D1349695	1/2009
JP	D1341918	6/2009
JP	D1361917	6/2009

* cited by examiner

Primary Examiner — Selina Sikder

(74) *Attorney, Agent, or Firm* — SAIDMAN DesignLaw Group

(57) **CLAIM**

The ornamental design for a light emitting diode, as shown and described.

DESCRIPTION

FIG. 1 is a front, top and right side perspective view of a light emitting diode showing my new design; FIG. 2 is a front, bottom and left side perspective view thereof; FIG. 3 is a front elevational view thereof; FIG. 4 is a rear elevational view thereof; FIG. 5 is a top plan view thereof; FIG. 6 is a bottom plan view thereof; FIG. 7 is a right side elevational view thereof; and, FIG. 8 is a left side elevational view thereof.

The broken line showing is for the purpose of illustrating environmental structure and forms no part of the claimed design.

1 Claim, 3 Drawing Sheets

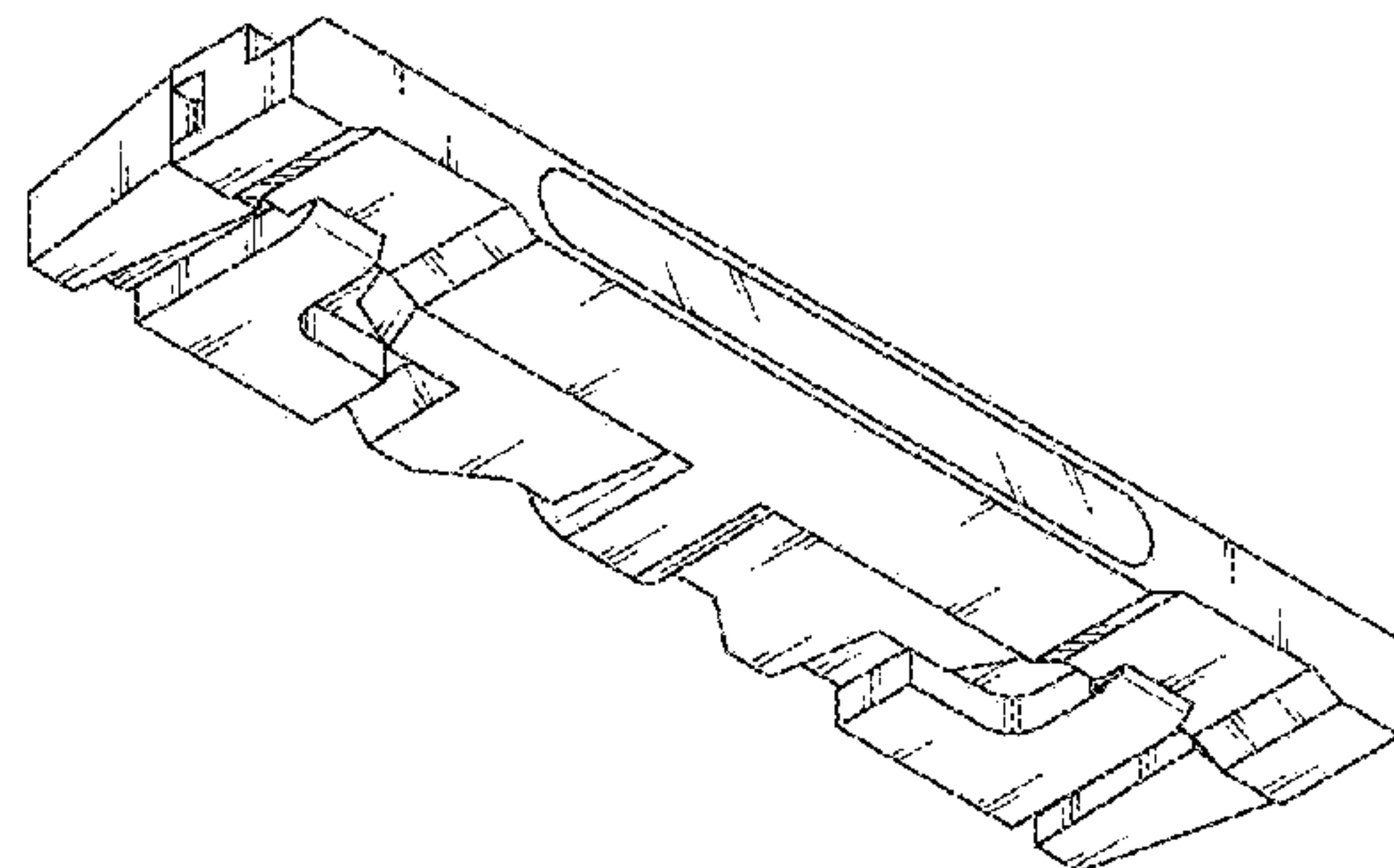
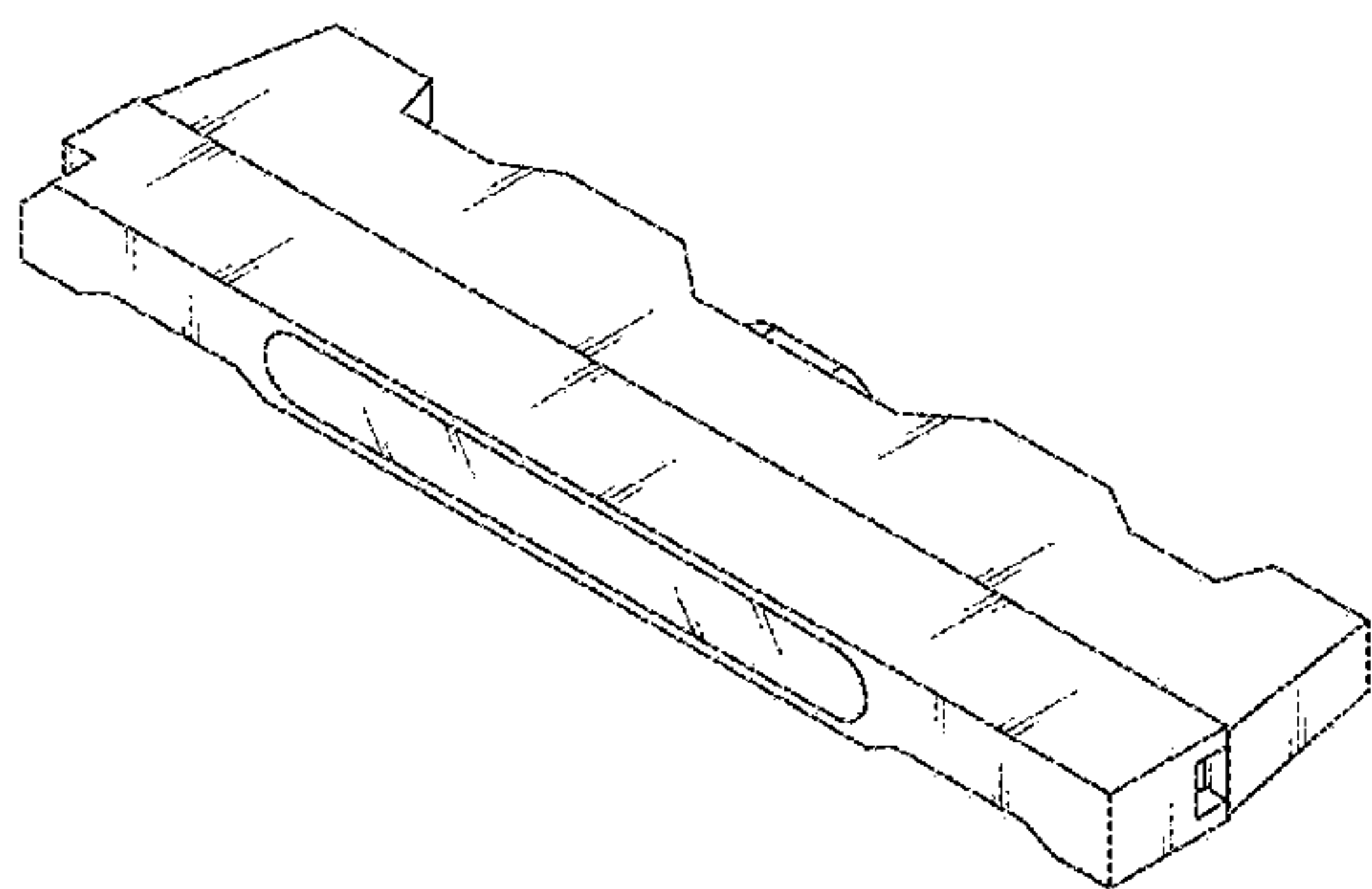


Fig. 1

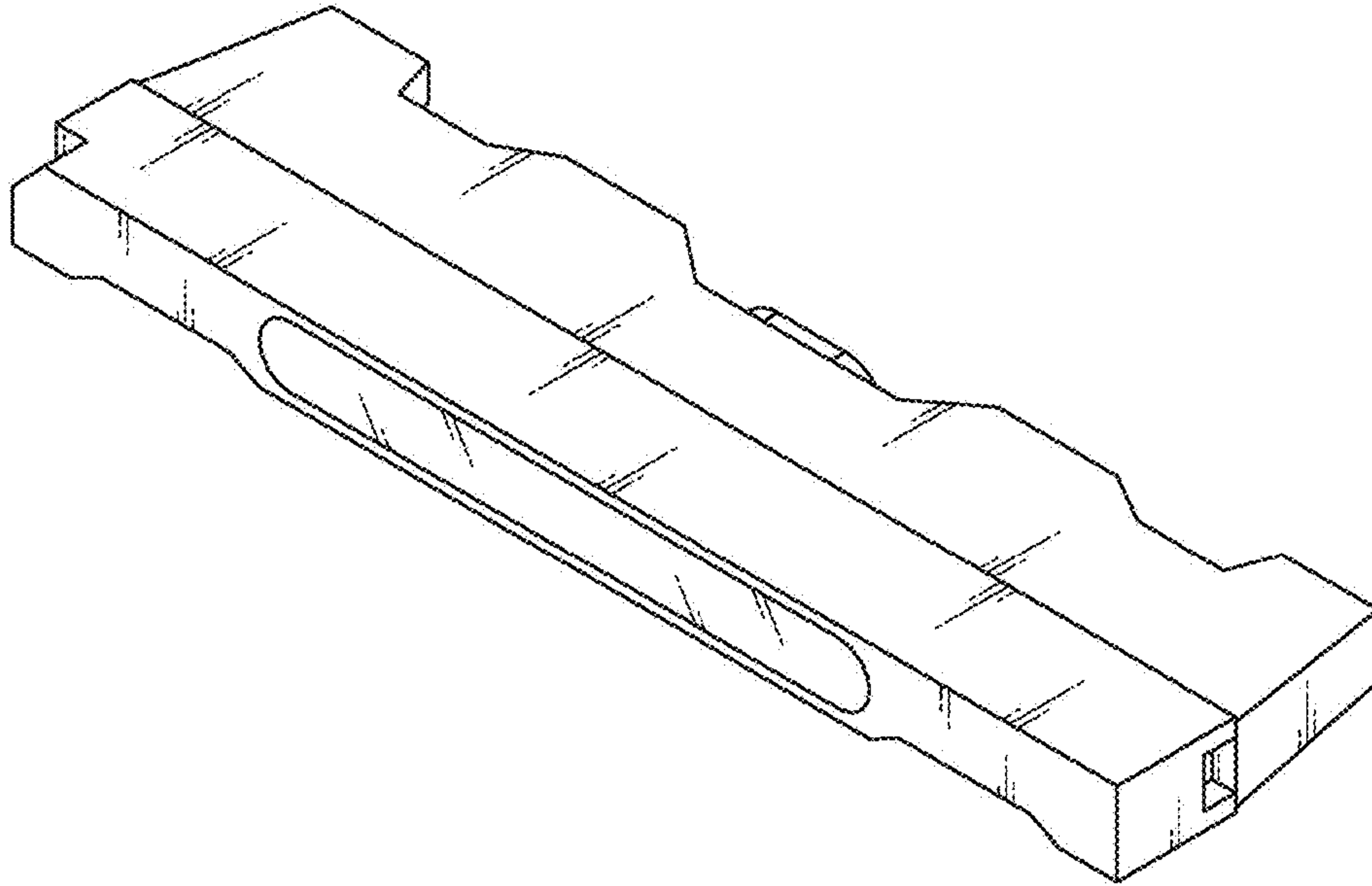


Fig. 2

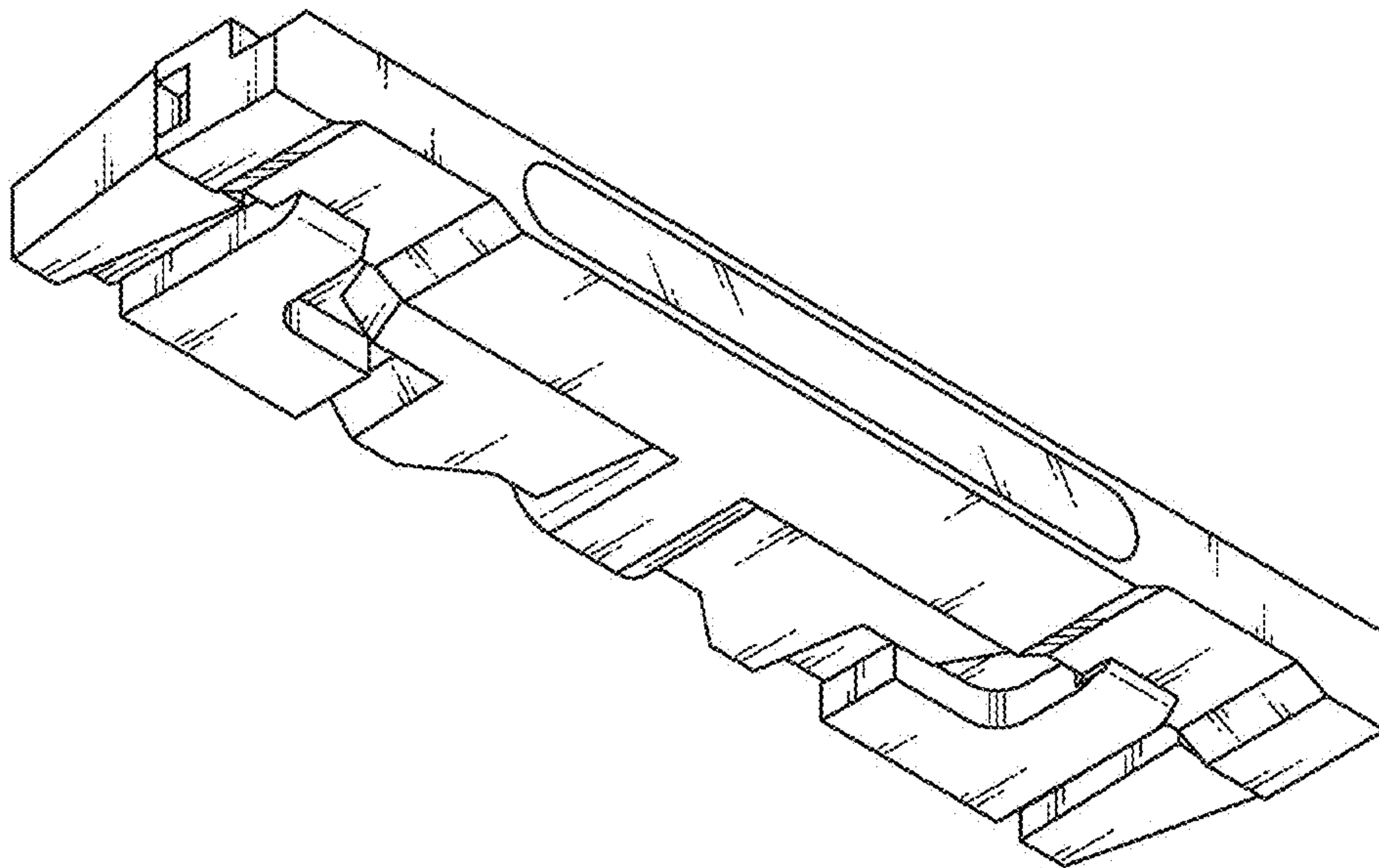


Fig. 3



Fig. 4



Fig. 5

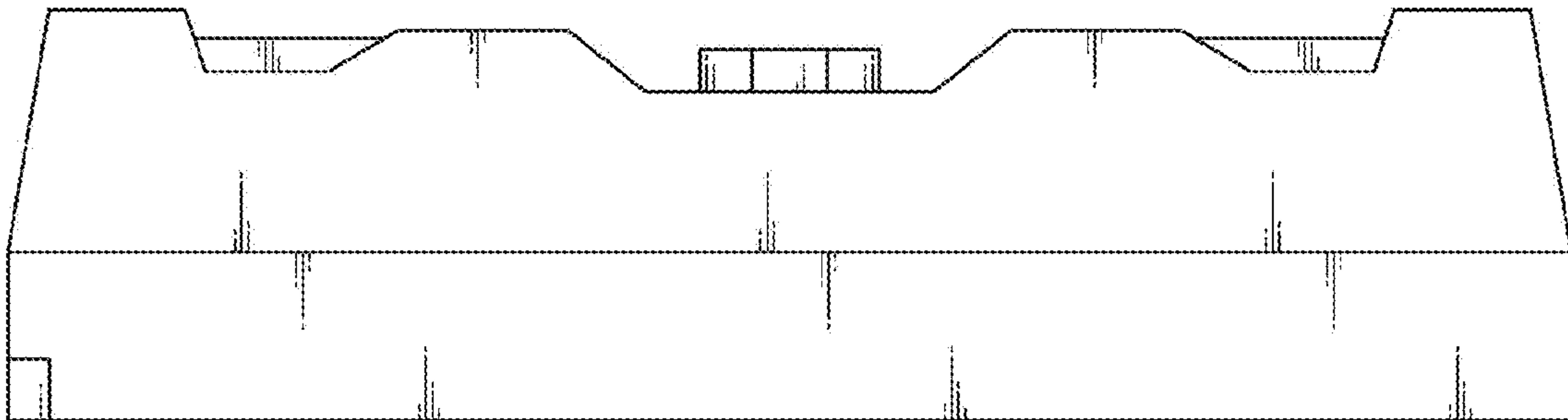


Fig. 6

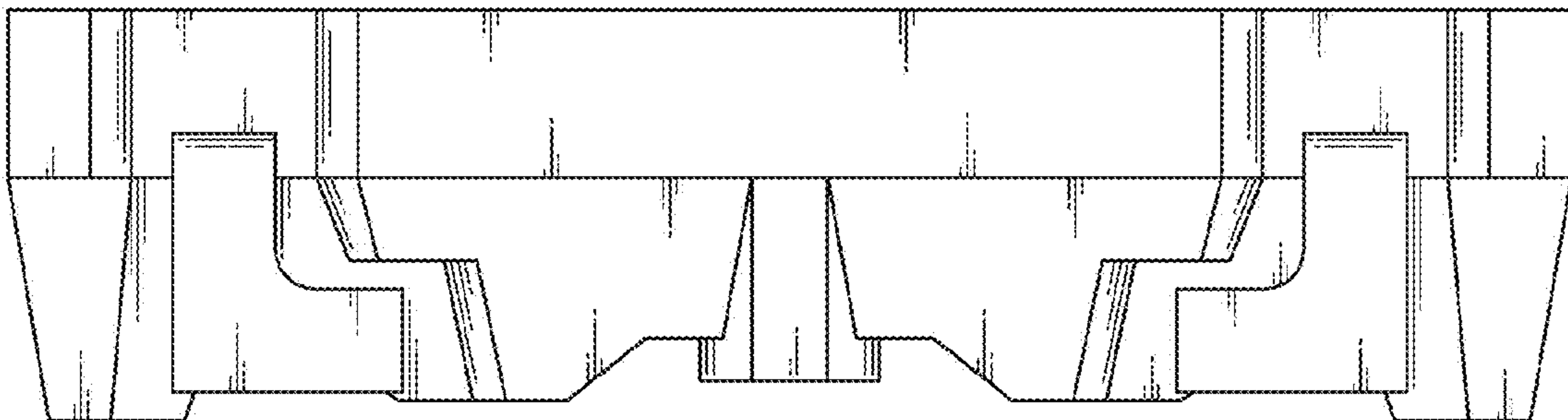


Fig. 7

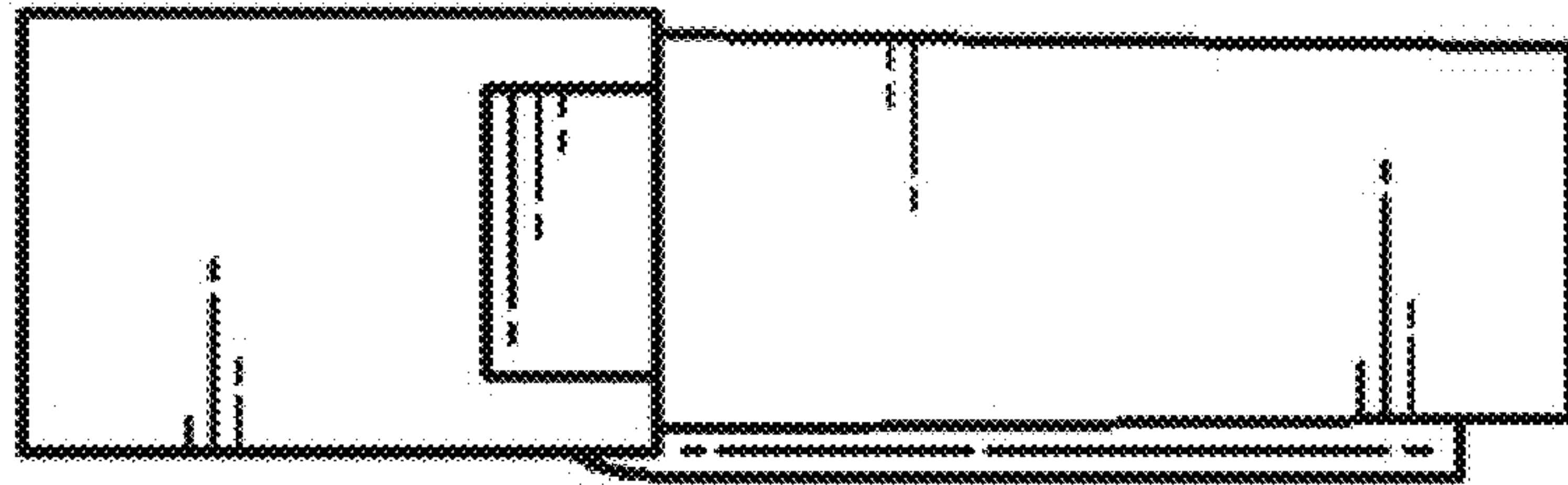
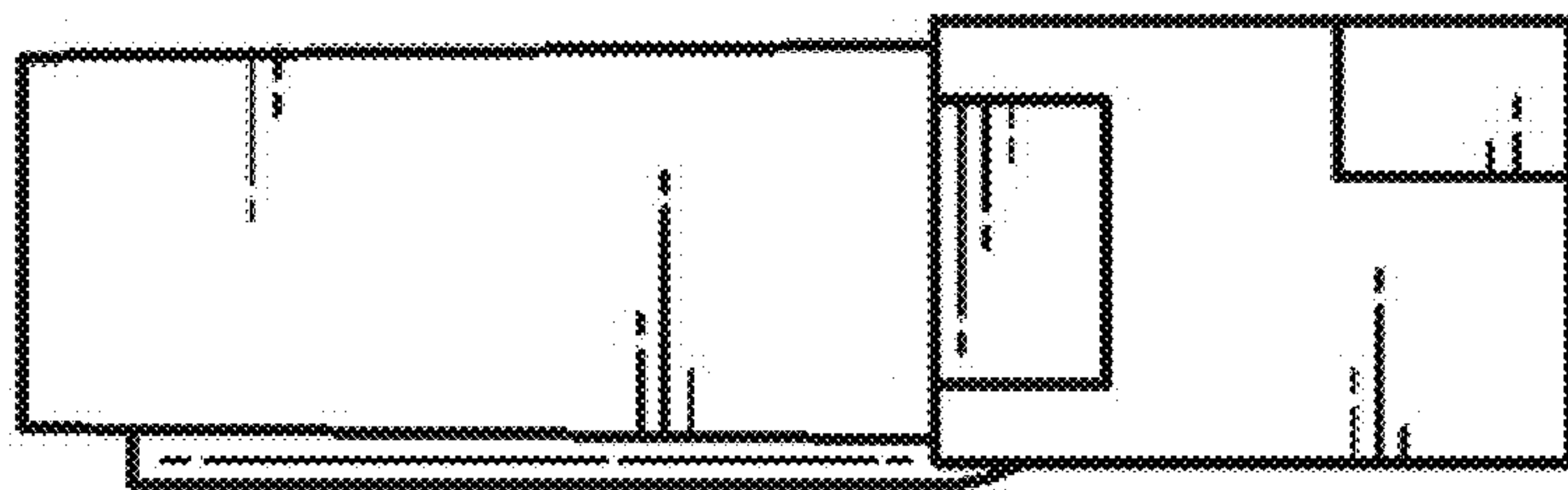


Fig. 8



UNITED STATES PATENT AND TRADEMARK OFFICE
CERTIFICATE OF CORRECTION

PATENT NO. : D635,526 S
APPLICATION NO. : 29/343390
DATED : April 5, 2011
INVENTOR(S) : Hideki Hayashi

Page 1 of 1

It is certified that error appears in the above-identified patent and that said Letters Patent is hereby corrected as shown below:

In the DESCRIPTION:

The following statement should be deleted:

“The broken line showing is for the purpose of illustrating environmental structure and forms no part of the claimed design.”

Signed and Sealed this
Twenty-first Day of June, 2011

A handwritten signature in black ink that reads "David J. Kappos". The signature is written in a cursive, slightly slanted style.

David J. Kappos
Director of the United States Patent and Trademark Office