



US00D635523S

(12) **United States Design Patent**
Andersson et al.

(10) **Patent No.:** **US D635,523 S**

(45) **Date of Patent:** **** Apr. 5, 2011**

(54) **INTELLIGENT OPERATOR PANEL**

(75) Inventors: **Jan Andersson**, Erlangen (DE); **Darren Eagle**, Cheshire (GB); **Joachim Feld**, Nürnberg (DE); **Matthew Stevens**, Cheshire (GB)

(73) Assignee: **Siemens Aktiengesellschaft**, München (DE)

(**) Term: **14 Years**

(21) Appl. No.: **29/343,536**

(22) Filed: **Sep. 15, 2009**

(30) **Foreign Application Priority Data**

Mar. 16, 2009 (EM) 001119303

Mar. 16, 2009 (EM) 001119309

(51) **LOC (9) Cl.** **13-03**

(52) **U.S. Cl.** **D13/168; D13/164**

(58) **Field of Classification Search** D13/162,
D13/164, 168; D10/49; 345/156; 700/17,
700/180; 200/5 A

See application file for complete search history.

(56) **References Cited**

U.S. PATENT DOCUMENTS

D306,998	S *	4/1990	Mintz et al.	D13/164
D322,424	S *	12/1991	Higbie	D13/168
D447,429	S *	9/2001	Odom et al.	D10/49
6,823,232	B2 *	11/2004	Murphy	700/180
D608,302	S *	1/2010	Liu	D13/164
2007/0168061	A1 *	7/2007	Iefuji et al.	700/83
2007/0185608	A1 *	8/2007	Ragnini	700/180
2008/0234855	A1 *	9/2008	Haas et al.	700/180
2009/0254678	A1 *	10/2009	Gross	709/248

* cited by examiner

Primary Examiner — Selina Sikder

(74) *Attorney, Agent, or Firm* — Henry M. Feiereisen; Ursula B. Day

(57) **CLAIM**

The ornamental design for an intelligent operator panel, as shown and described.

DESCRIPTION

FIG. 1 is a front elevational view of an intelligent operator panel showing our new design;

FIG. 2 is a rear elevational view thereof;

FIG. 3 is a top plan view thereof;

FIG. 4 is a bottom plan view thereof;

FIG. 5 is a right side elevational view thereof;

FIG. 6 is a left side elevational view thereof; and

FIG. 7 is a perspective view thereof.

FIG. 8 is a front elevational view of the intelligent operator panel shown separately to show portions of the article that are not visible in the other views with a functional unit removed;

FIG. 9 is a rear elevational view thereof;

FIG. 10 is a top plan view thereof;

FIG. 11 is a bottom plan view thereof;

FIG. 12 is a right side elevational view thereof;

FIG. 13 is a left side elevational view thereof; and

FIG. 14 is a perspective view thereof.

FIG. 15 is a front elevational view of the functional unit for use with the operator panel shown separately to show portions that are not visible in the other views;

FIG. 16 is a rear elevational view thereof;

FIG. 17 is a top plan view thereof;

FIG. 18 is a bottom plan view thereof;

FIG. 19 is a right side elevational view thereof;

FIG. 20 is a left side elevational view thereof; and,

FIG. 21 is a perspective view thereof.

The broken lines showing portions of the intelligent operator panel are for illustrative purposes only and form no part of the claimed design.

1 Claim, 21 Drawing Sheets

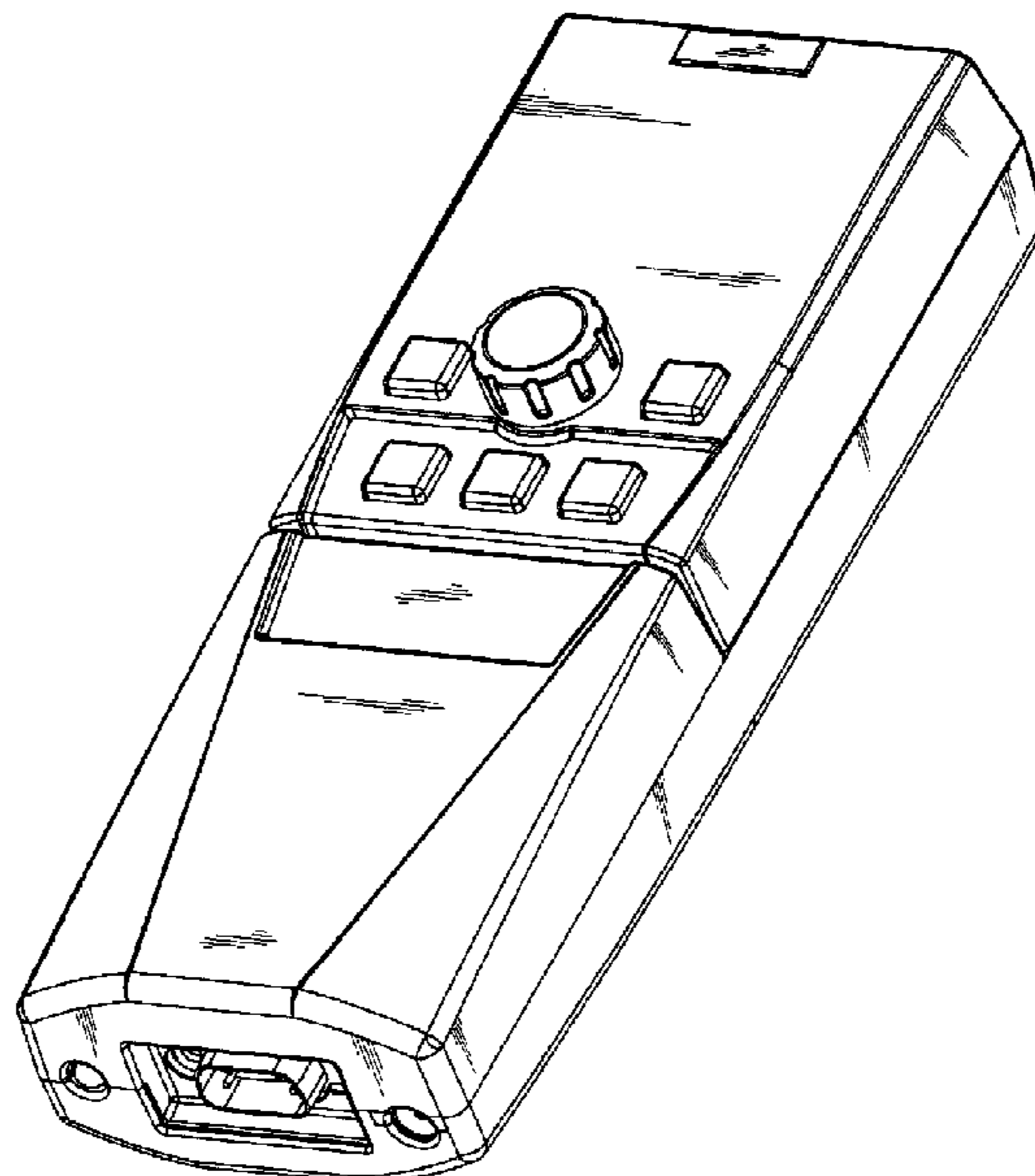


FIG 1

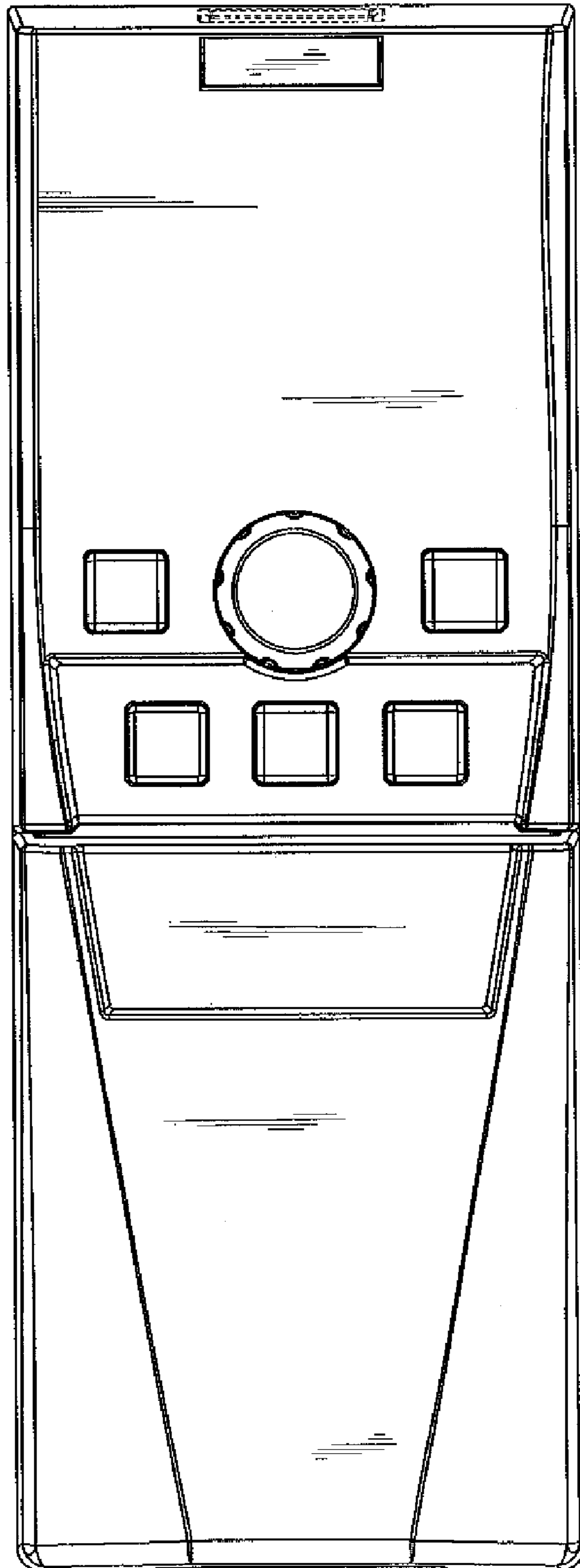


FIG 2

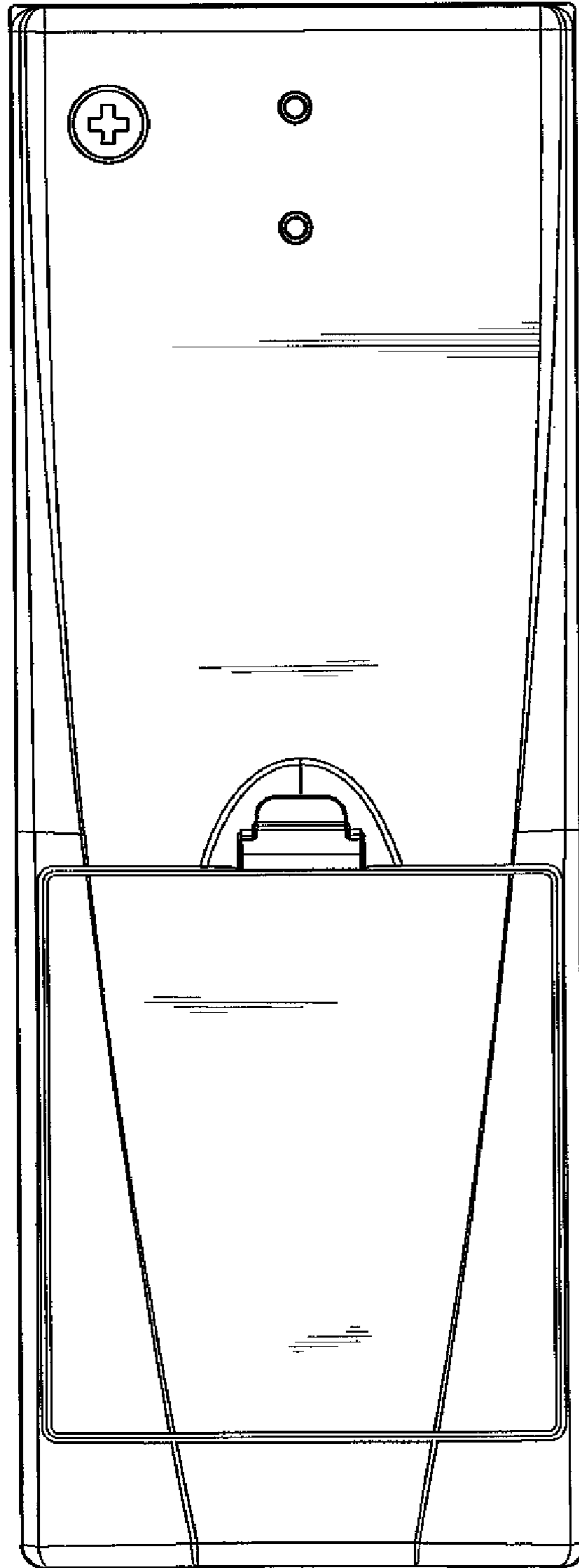


FIG 3

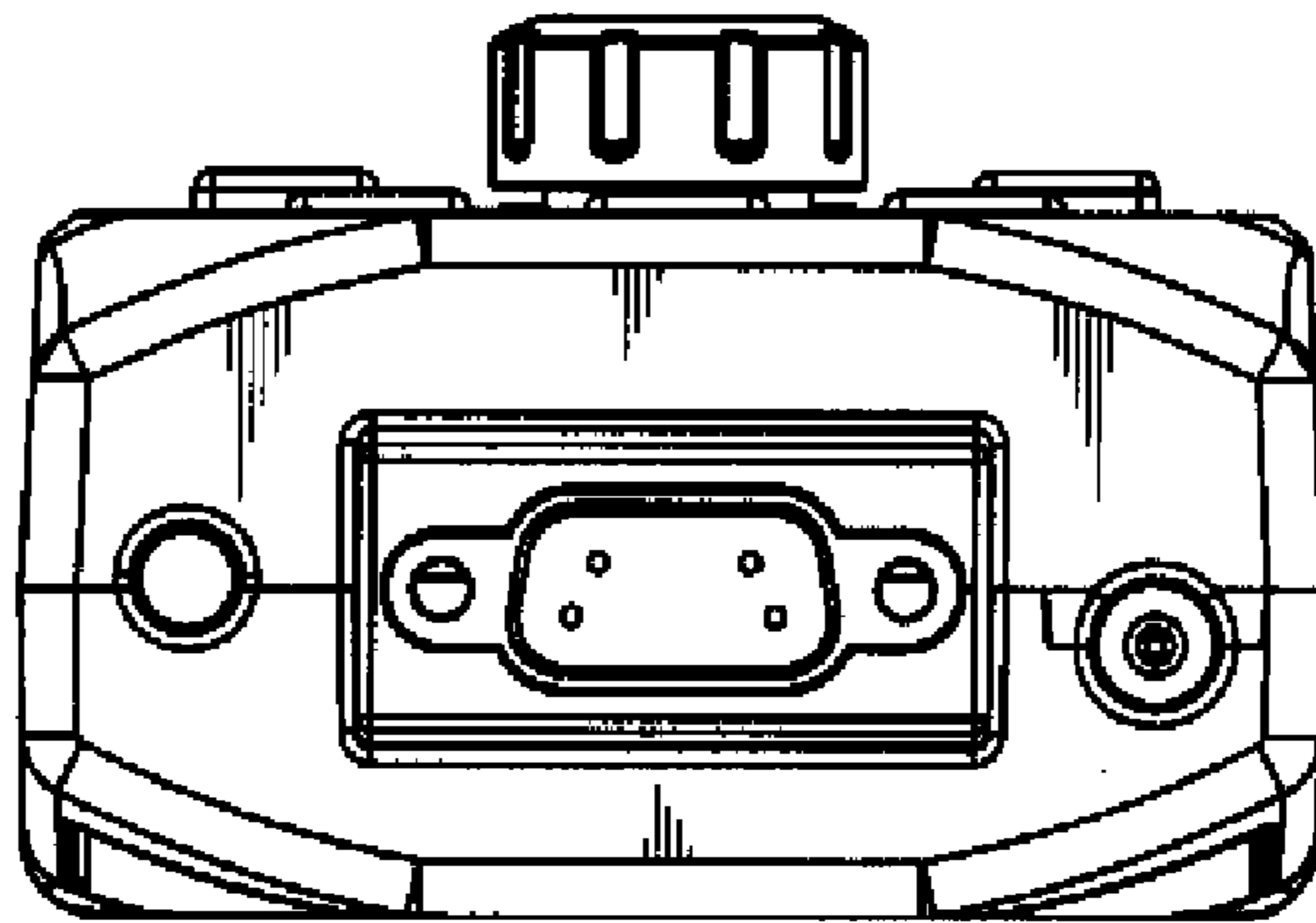


FIG 4

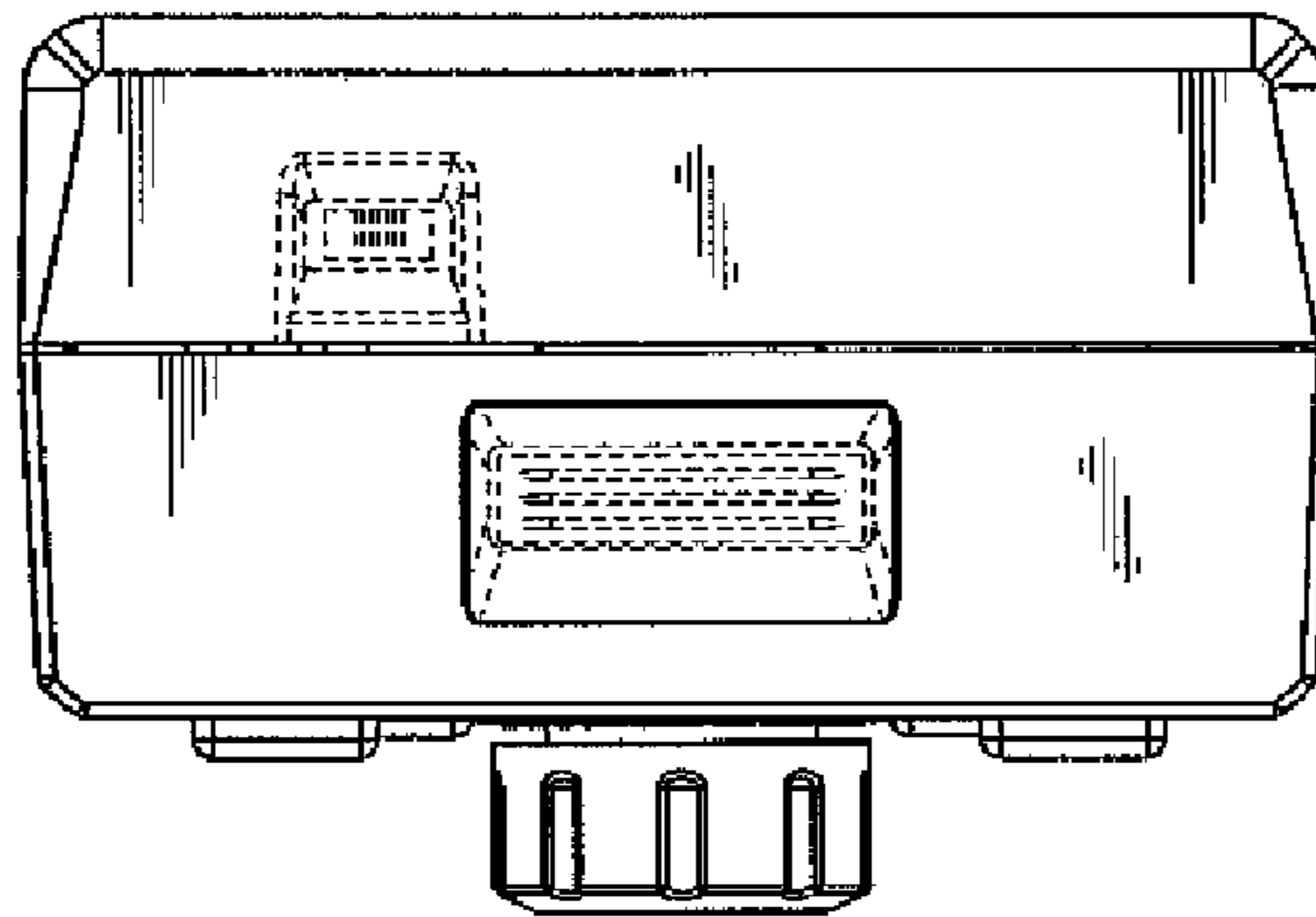


FIG 5

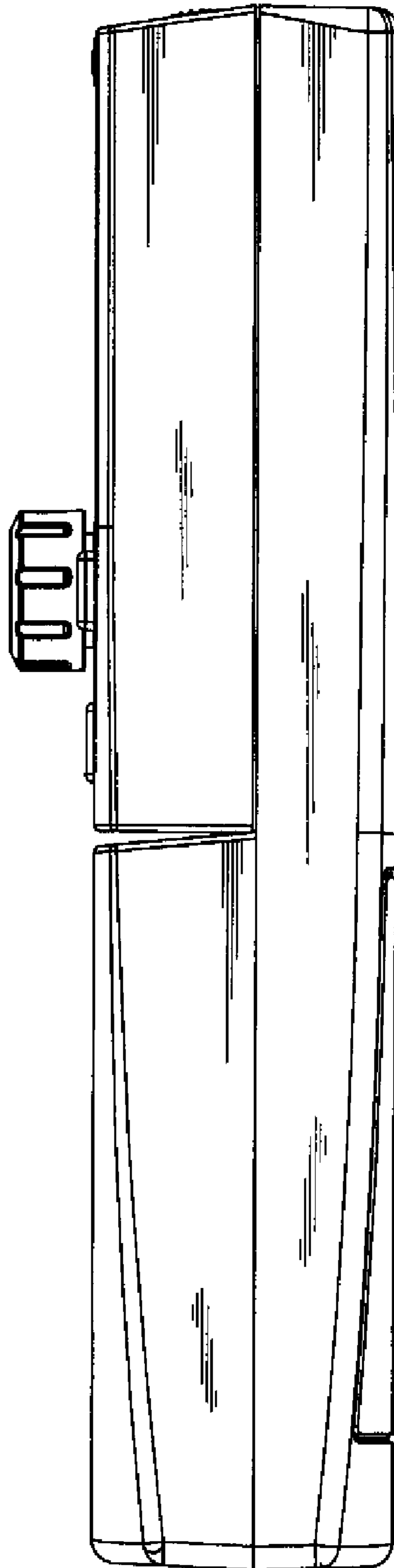


FIG 6

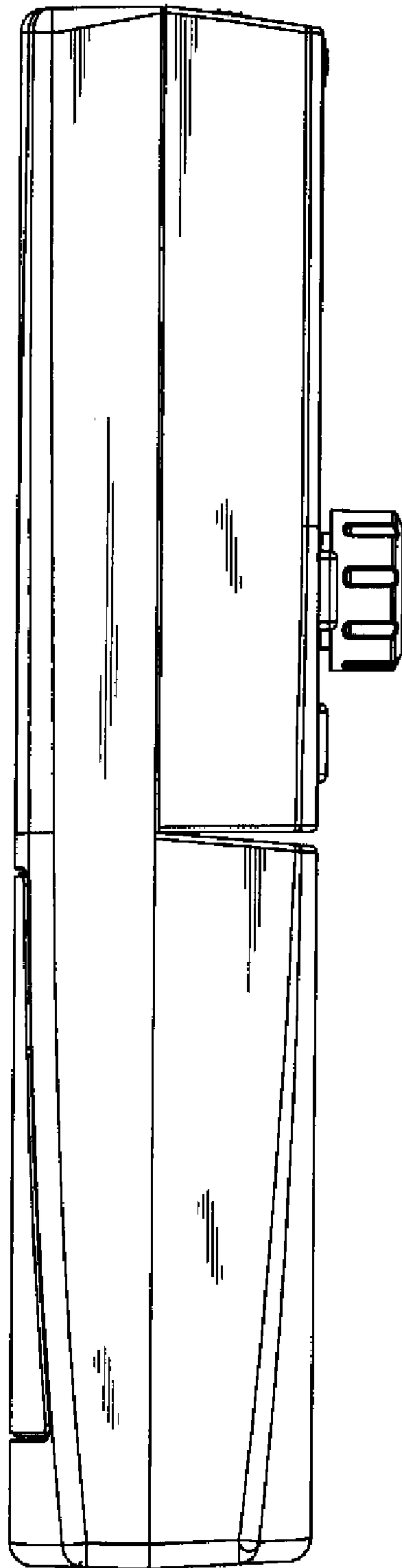


FIG 7

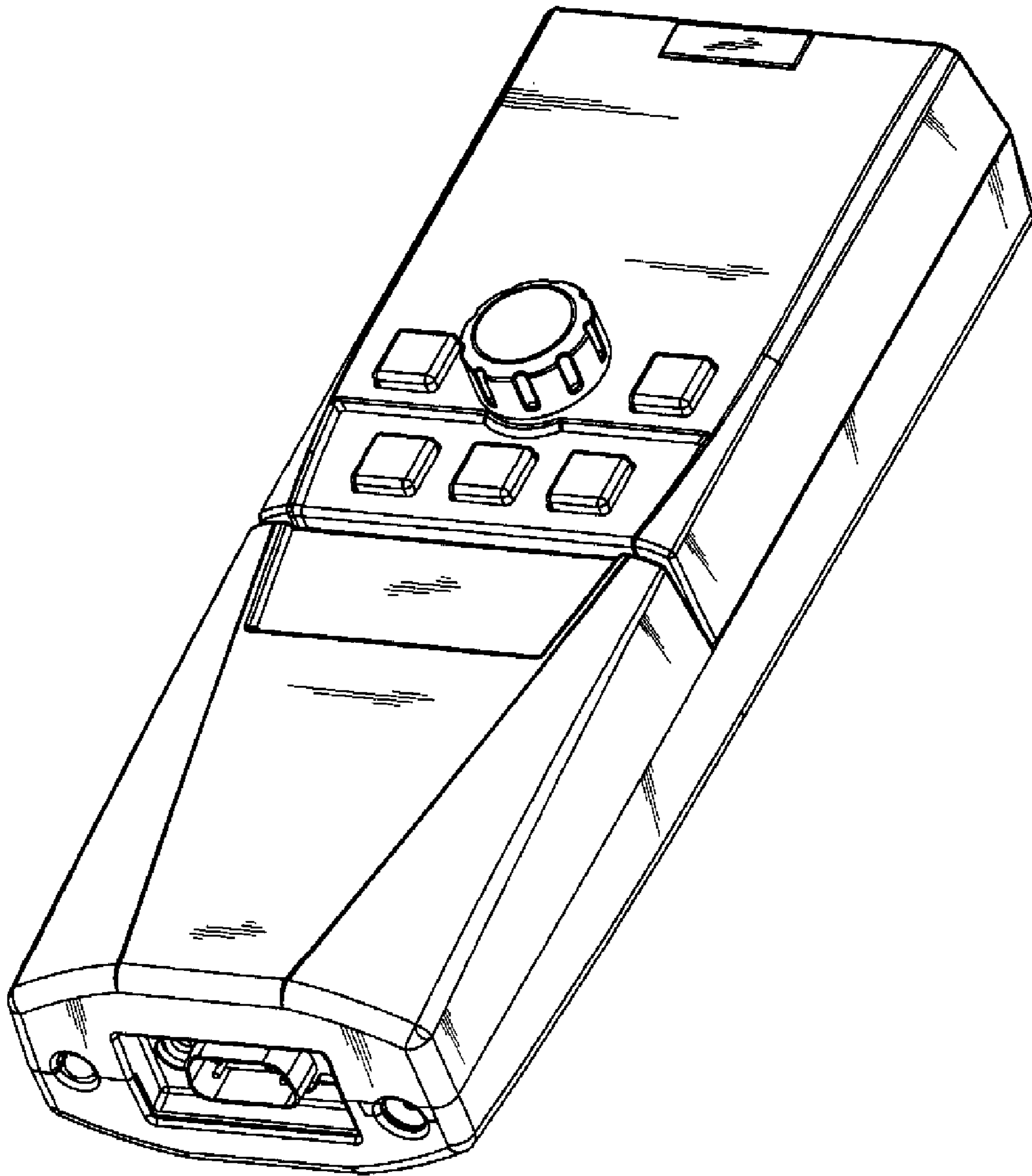


FIG 8

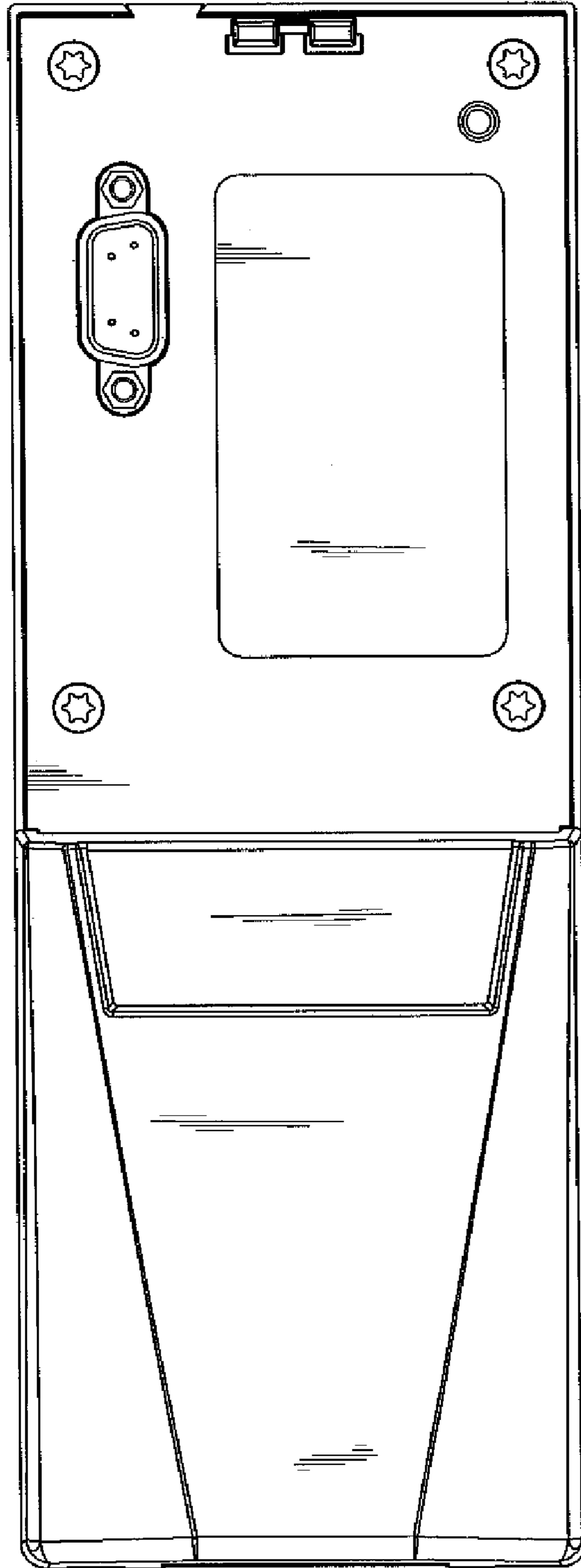


FIG 9

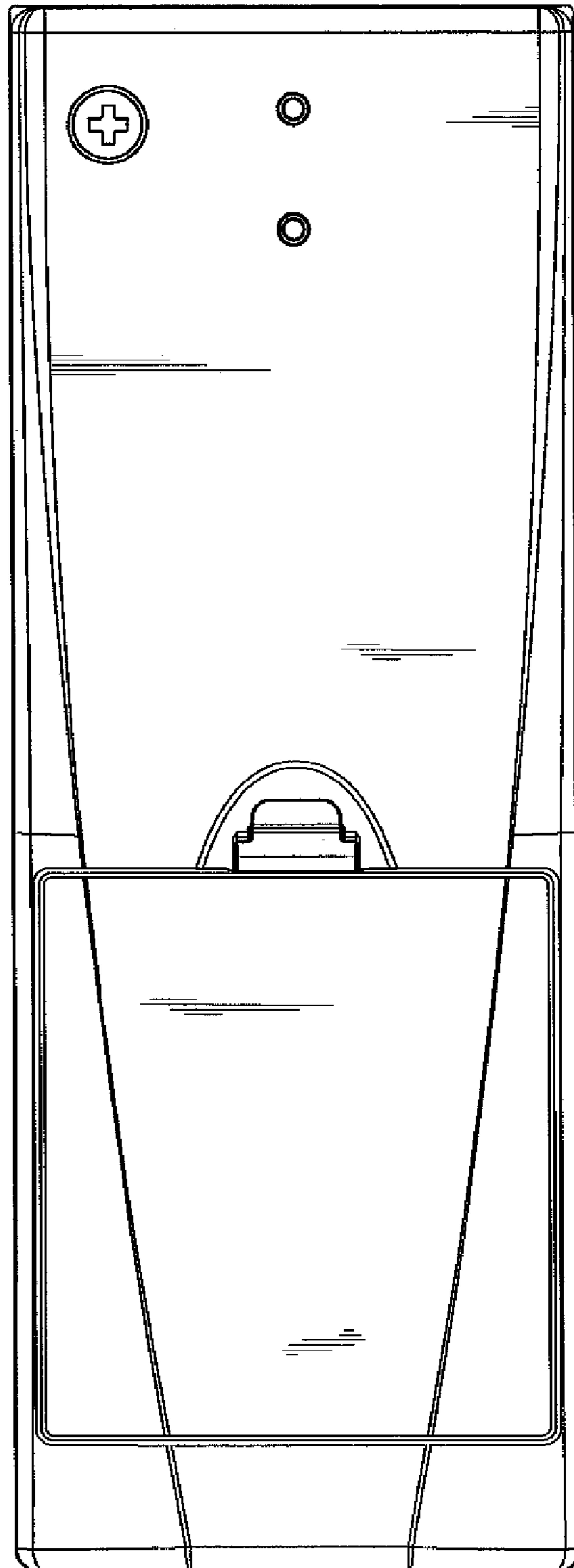


FIG 10

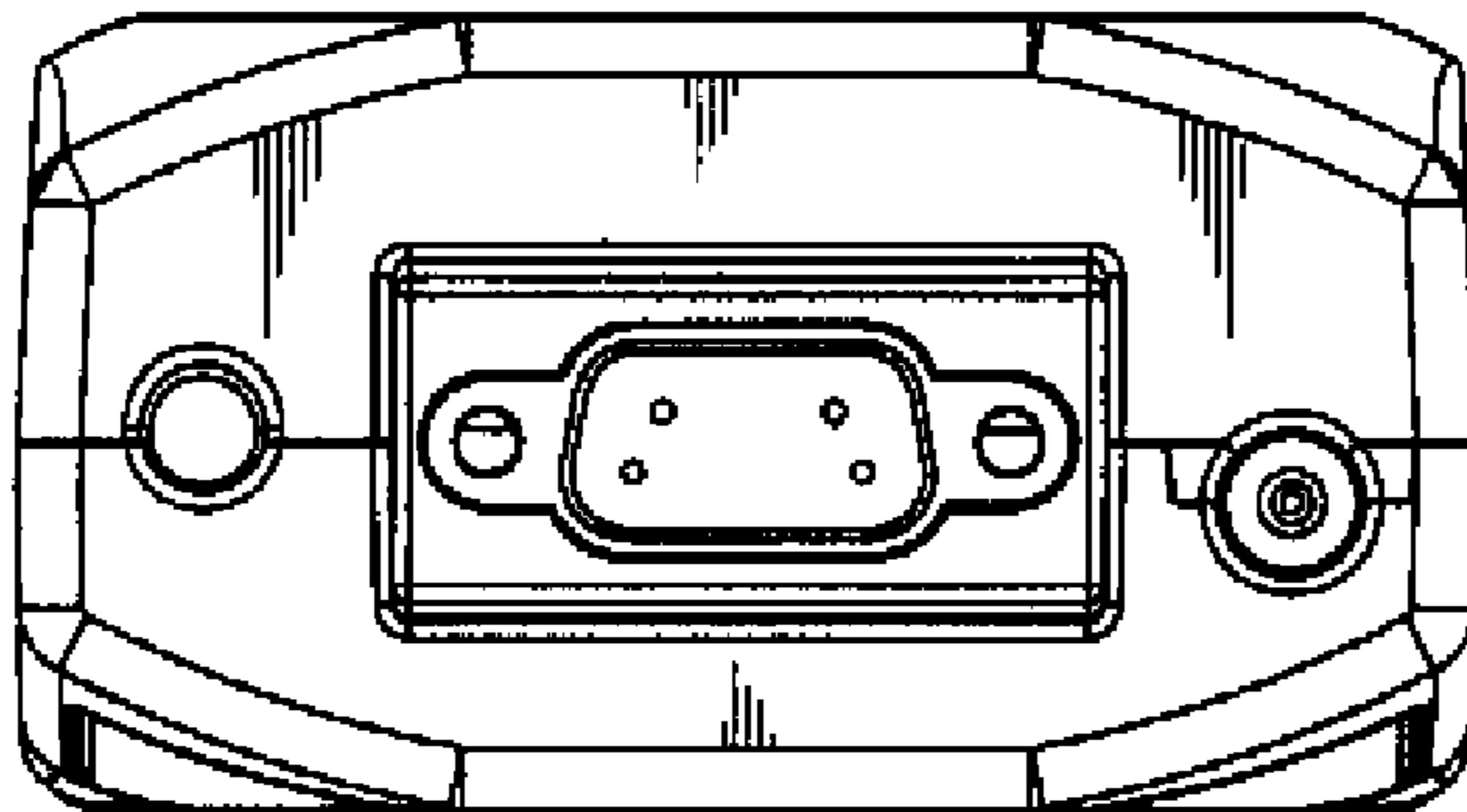


FIG 11

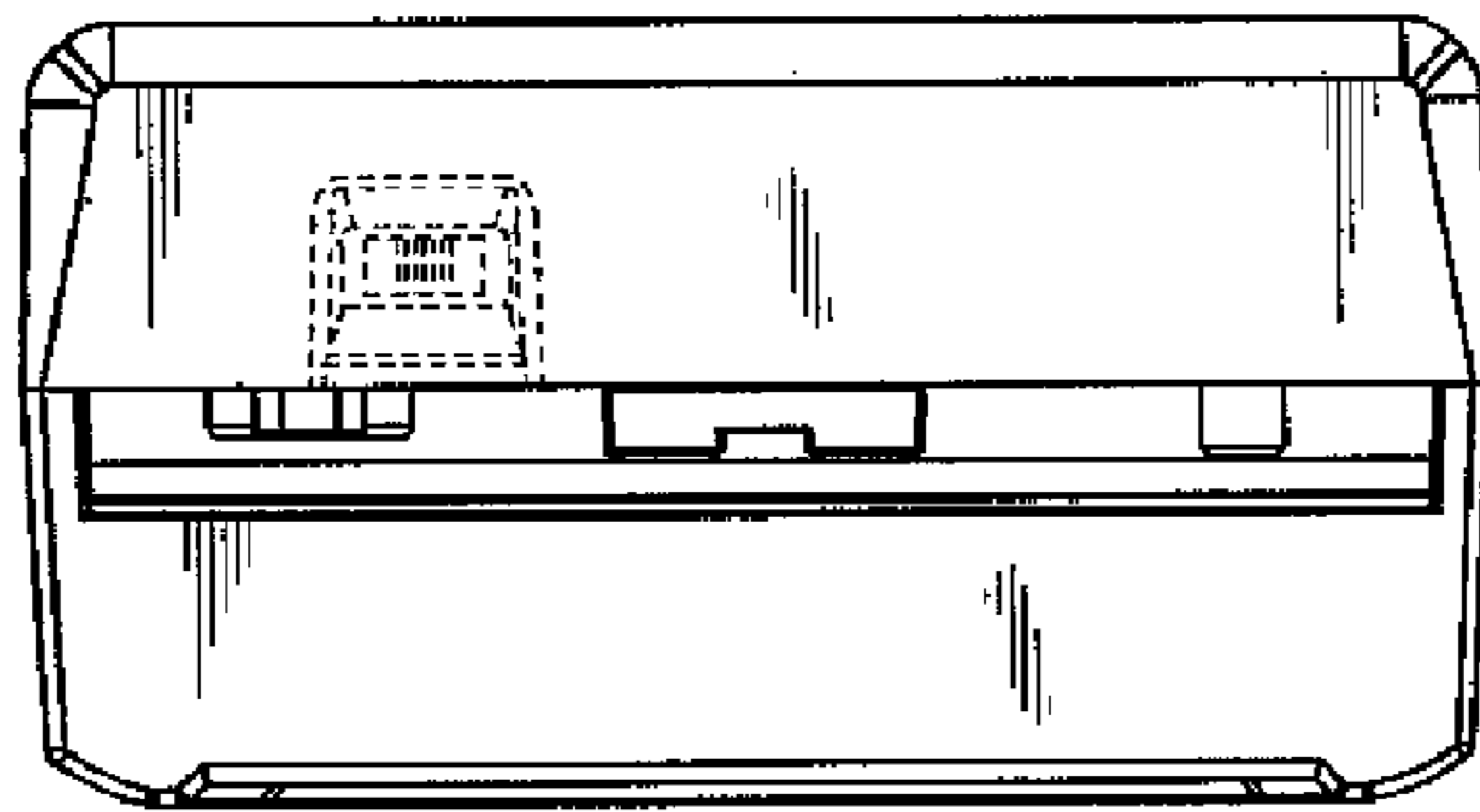


FIG 12

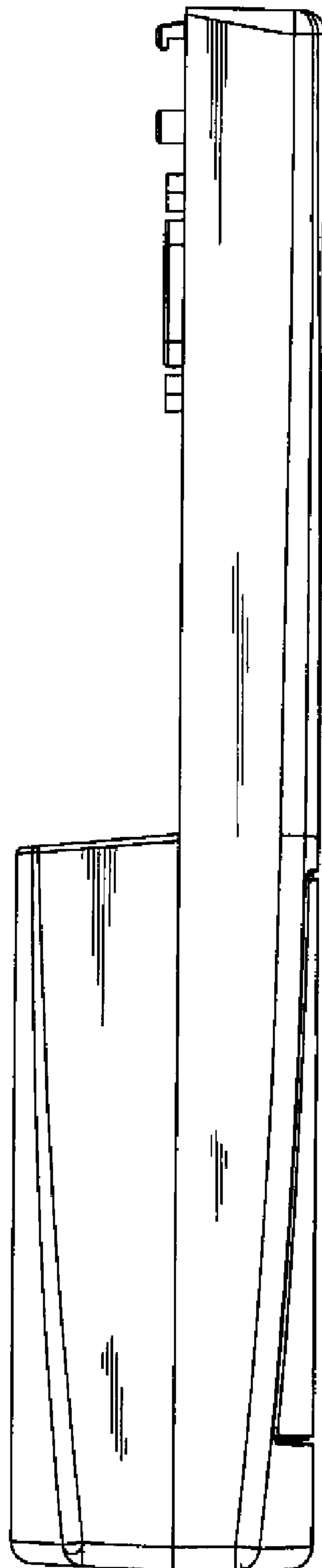


FIG 13

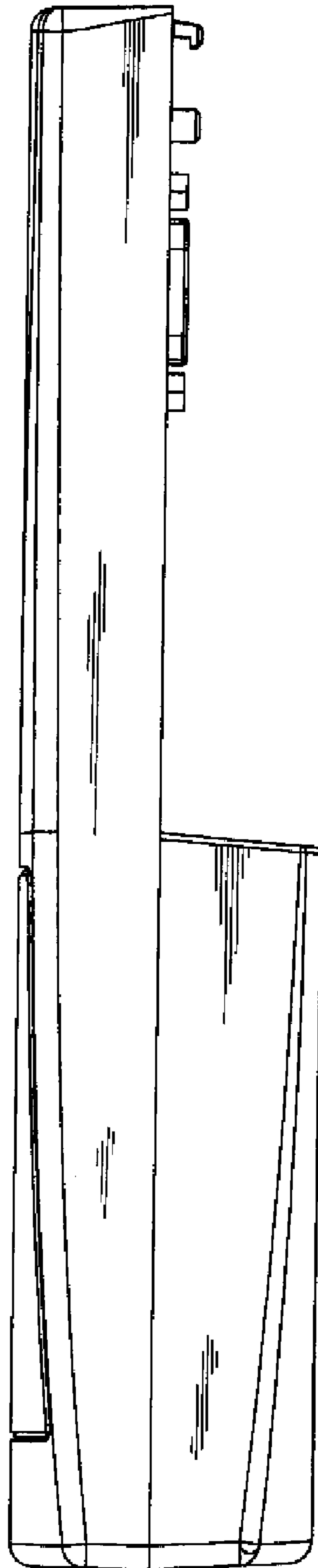


FIG 14

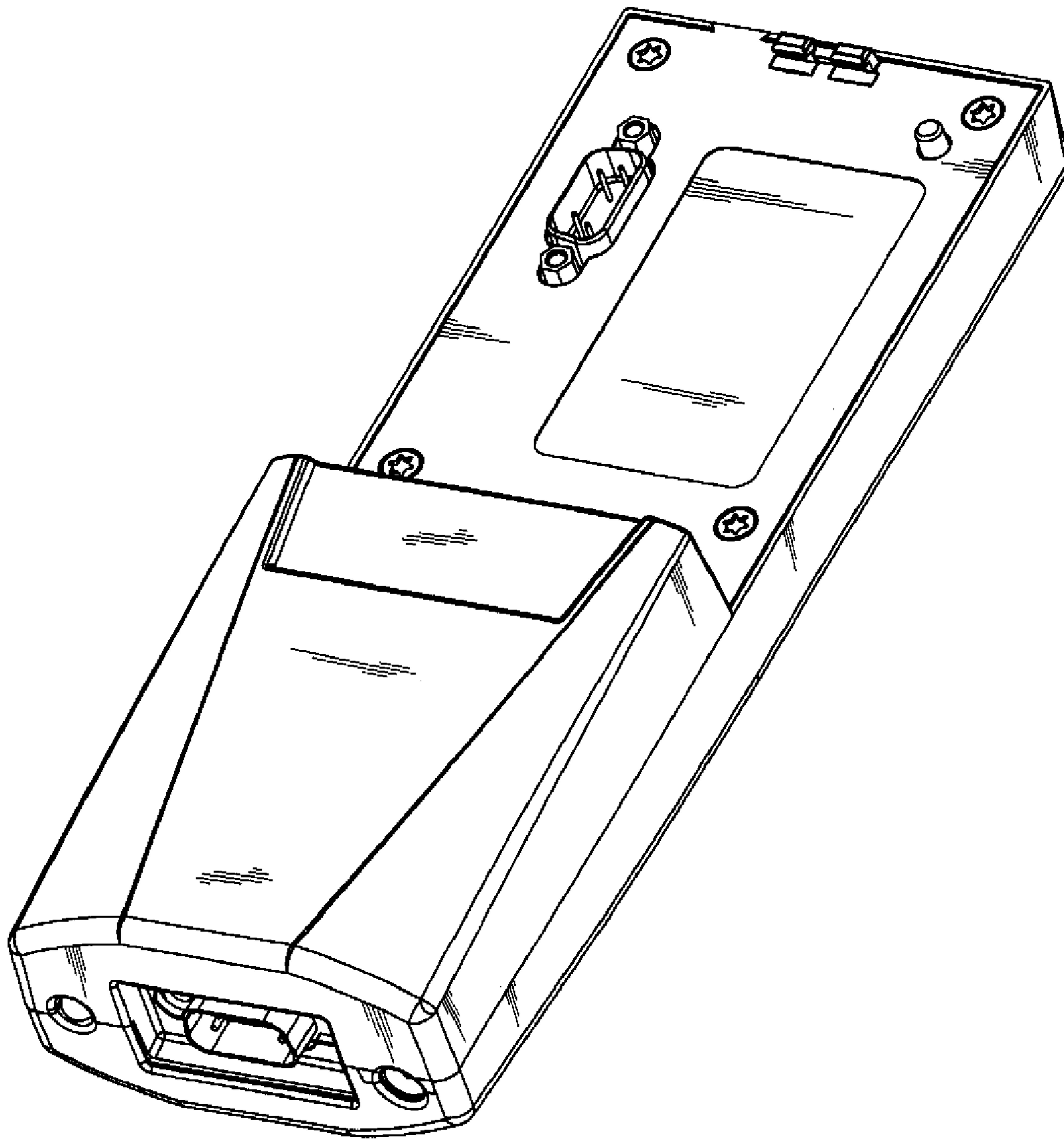


FIG 15

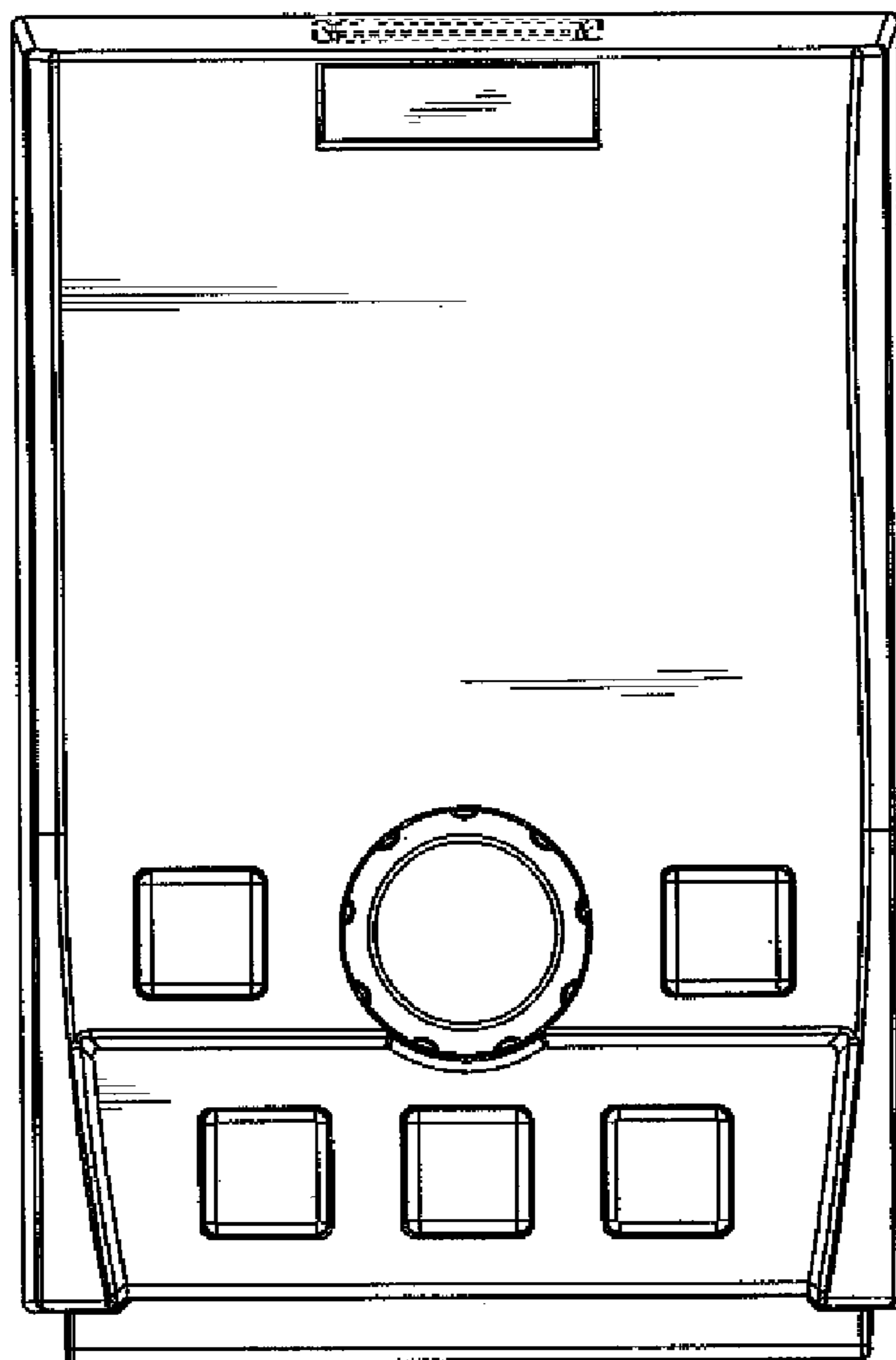


FIG 16

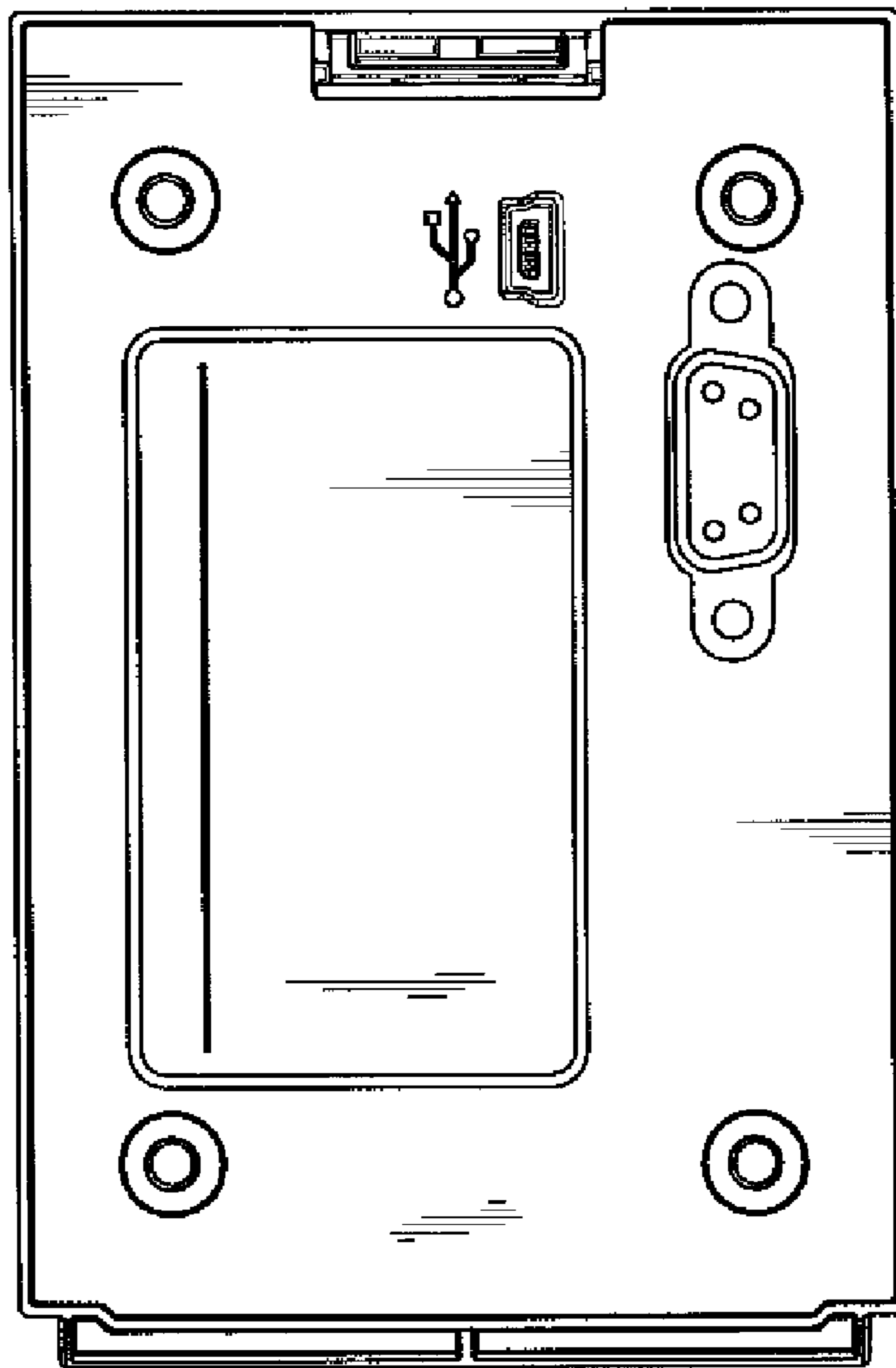


FIG 17

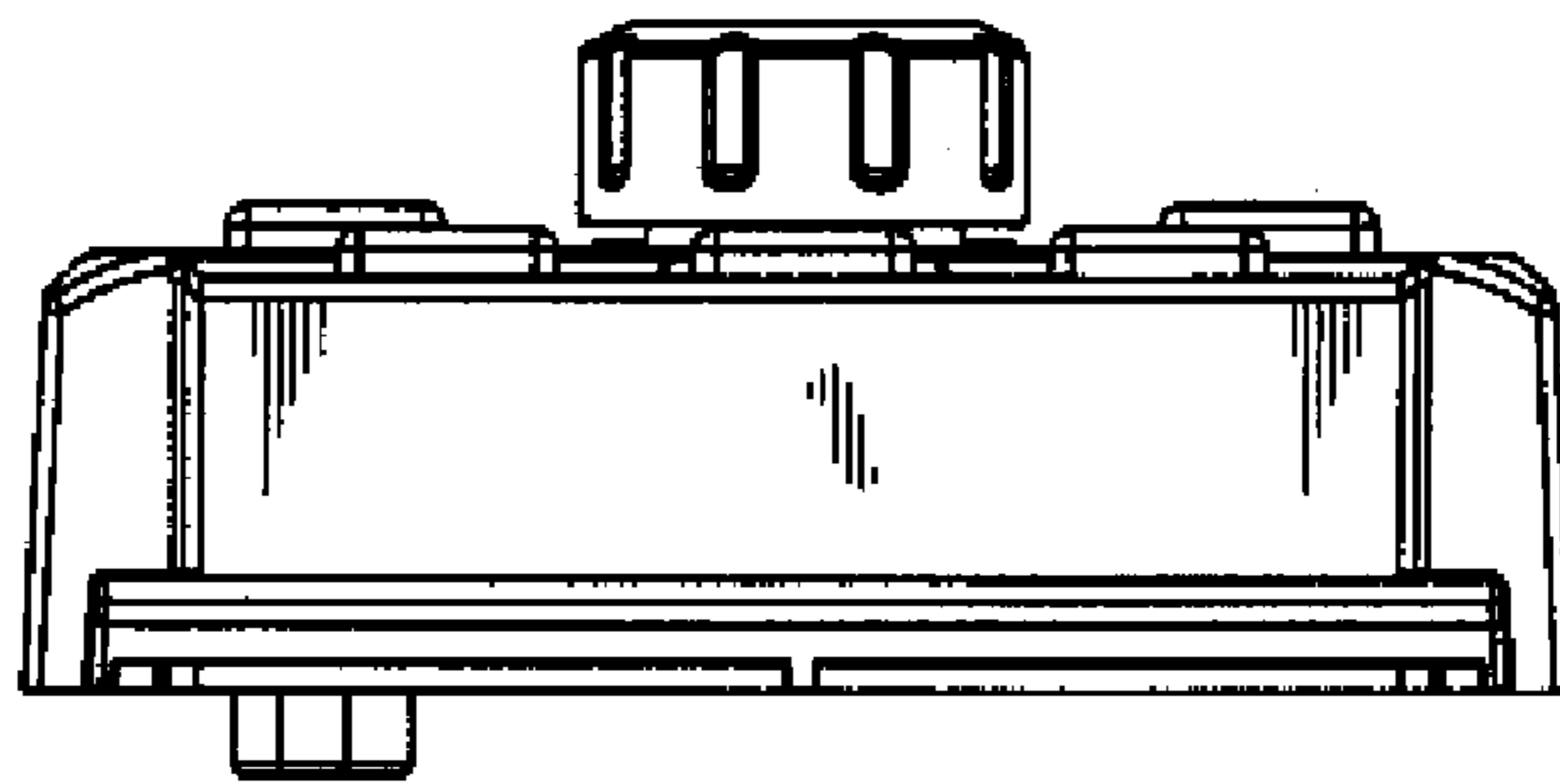


FIG 18

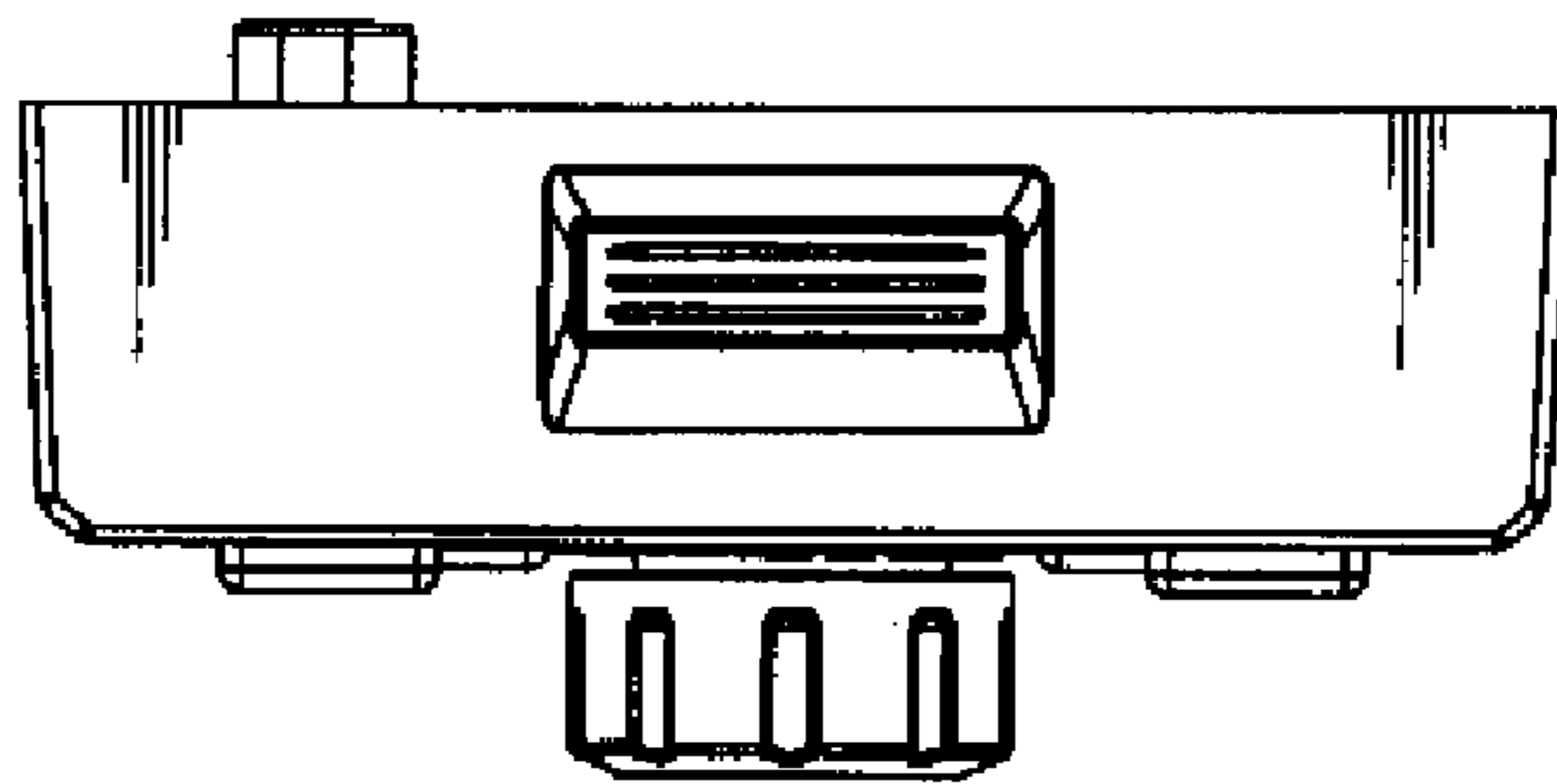


FIG 19

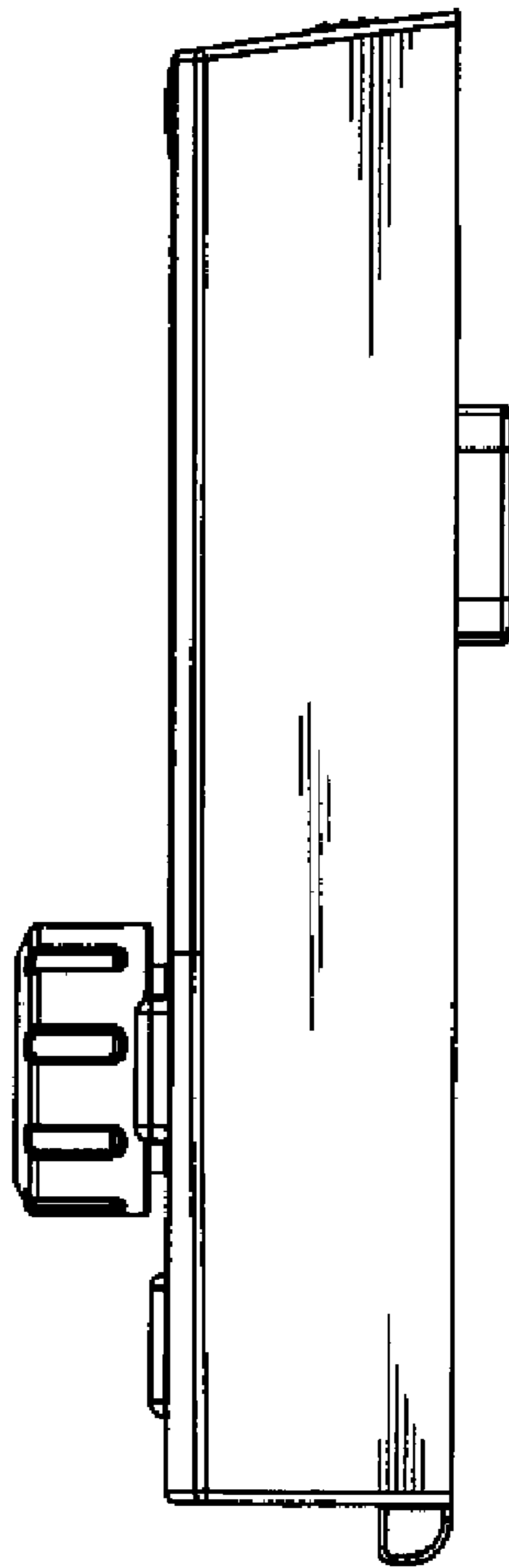


FIG 20

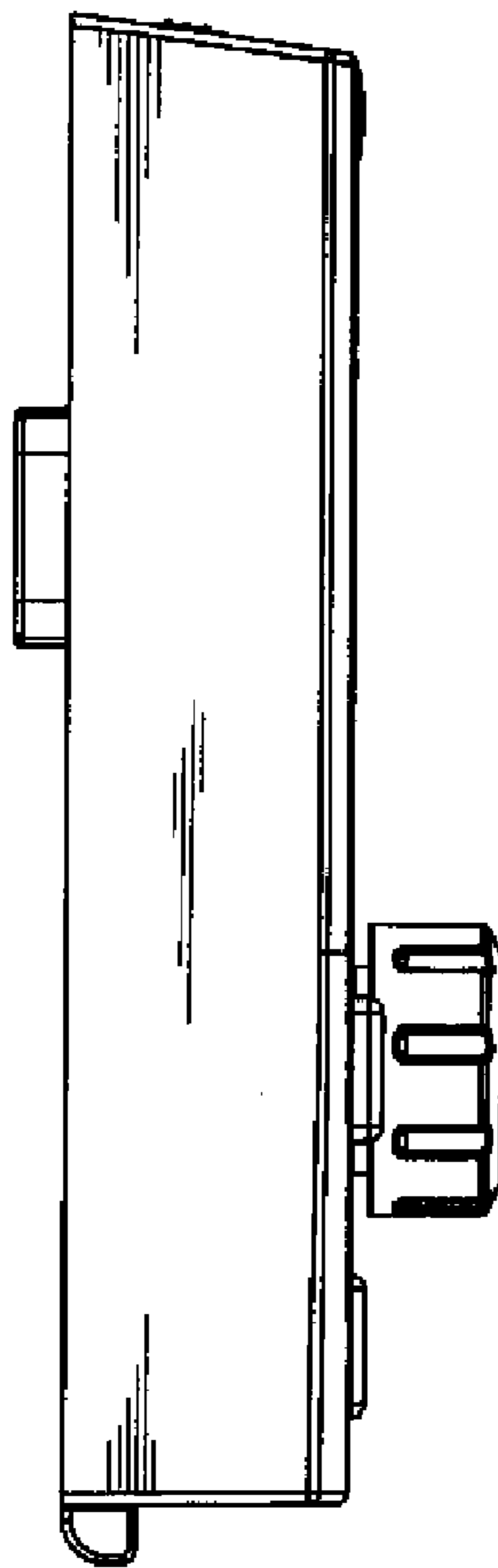


FIG 21

