



US00D635522S

(12) **United States Design Patent**
Hemmi et al.

(10) **Patent No.:** **US D635,522 S**

(45) **Date of Patent:** **** Apr. 5, 2011**

(54) **CONNECTOR FOR FLEXIBLE PRINTED
CIRCUIT BOARD**

(75) Inventors: **Yoshinobu Hemmi**, Kyoto (JP);
Hirotsada Teranishi, Kyoto (JP);
Masahiro Ono, Kyoto (JP)

(73) Assignee: **Omron Corporation**, Kyoto (JP)

(**) Term: **14 Years**

(21) Appl. No.: **29/326,650**

(22) Filed: **Oct. 22, 2008**

(30) **Foreign Application Priority Data**

Apr. 23, 2008 (JP) 2008-010426

(51) **LOC (9) Cl.** **13-03**

(52) **U.S. Cl.** **D13/154**

(58) **Field of Classification Search** D13/133,
D13/146, 147, 154, 184, 199; 439/64, 79,
439/108, 159, 160, 260, 325, 395, 607-610,
439/629, 630, 849, 850, 862, 887, 946
See application file for complete search history.

(56) **References Cited**

U.S. PATENT DOCUMENTS

| | | | | | |
|-----------|------|---------|------------------|-------|---------|
| D434,386 | S * | 11/2000 | Wu | | D13/147 |
| D481,999 | S * | 11/2003 | Saito et al. | | D13/147 |
| 7,025,625 | B2 * | 4/2006 | Kai | | 439/495 |
| 7,232,345 | B2 * | 6/2007 | Ishizuka et al. | | 439/660 |
| 7,287,986 | B2 * | 10/2007 | Ho | | 439/65 |
| 7,399,193 | B1 * | 7/2008 | Ho et al. | | 439/260 |
| 7,448,893 | B2 * | 11/2008 | Suzuki | | 439/260 |
| 7,455,547 | B2 * | 11/2008 | Hemmi et al. | | 439/495 |
| D582,853 | S * | 12/2008 | Peng et al. | | D13/147 |
| D596,583 | S * | 7/2009 | Teranishi et al. | | D13/154 |
| D600,647 | S * | 9/2009 | Hemmi et al. | | D13/147 |

| | | | | | |
|--------------|------|---------|----------------|-------|---------|
| D604,701 | S * | 11/2009 | Hemmi et al. | | D13/154 |
| 2006/0281353 | A1 * | 12/2006 | Suzuki et al. | | 439/260 |
| 2006/0292910 | A1 * | 12/2006 | Lee et al. | | 439/260 |
| 2007/0015417 | A1 * | 1/2007 | Caveney et al. | | 439/676 |
| 2007/0020961 | A1 * | 1/2007 | Ho | | 439/66 |
| 2008/0081501 | A1 * | 4/2008 | Hemmi et al. | | 439/329 |

FOREIGN PATENT DOCUMENTS

JP 1252950 10/2005

* cited by examiner

Primary Examiner — Daniel D Bui

(74) *Attorney, Agent, or Firm* — Harness, Dickey & Pierce, P.L.C.

(57) **CLAIM**

The ornamental design for a connector for flexible printed circuit board, as shown and described.

DESCRIPTION

FIG. 1 is a perspective view of a connector for flexible printed circuit board showing our new design;
FIG. 2 is a front elevational view thereof;
FIG. 3 is a rear elevational view thereof;
FIG. 4 is a left side view thereof;
FIG. 5 is a right side view thereof.
FIG. 6 is a top plan view thereof;
FIG. 7 is a bottom plan view thereof;
FIG. 8 is a partial perspective view of center-front portion thereof; and,
FIG. 9 is an enlarged cross-sectional view taken along the line of IX—IX of FIG. 2.
The broken line portion of the figure drawings is included to show unclaimed subject matter only and form no part of the claimed design.

1 Claim, 5 Drawing Sheets

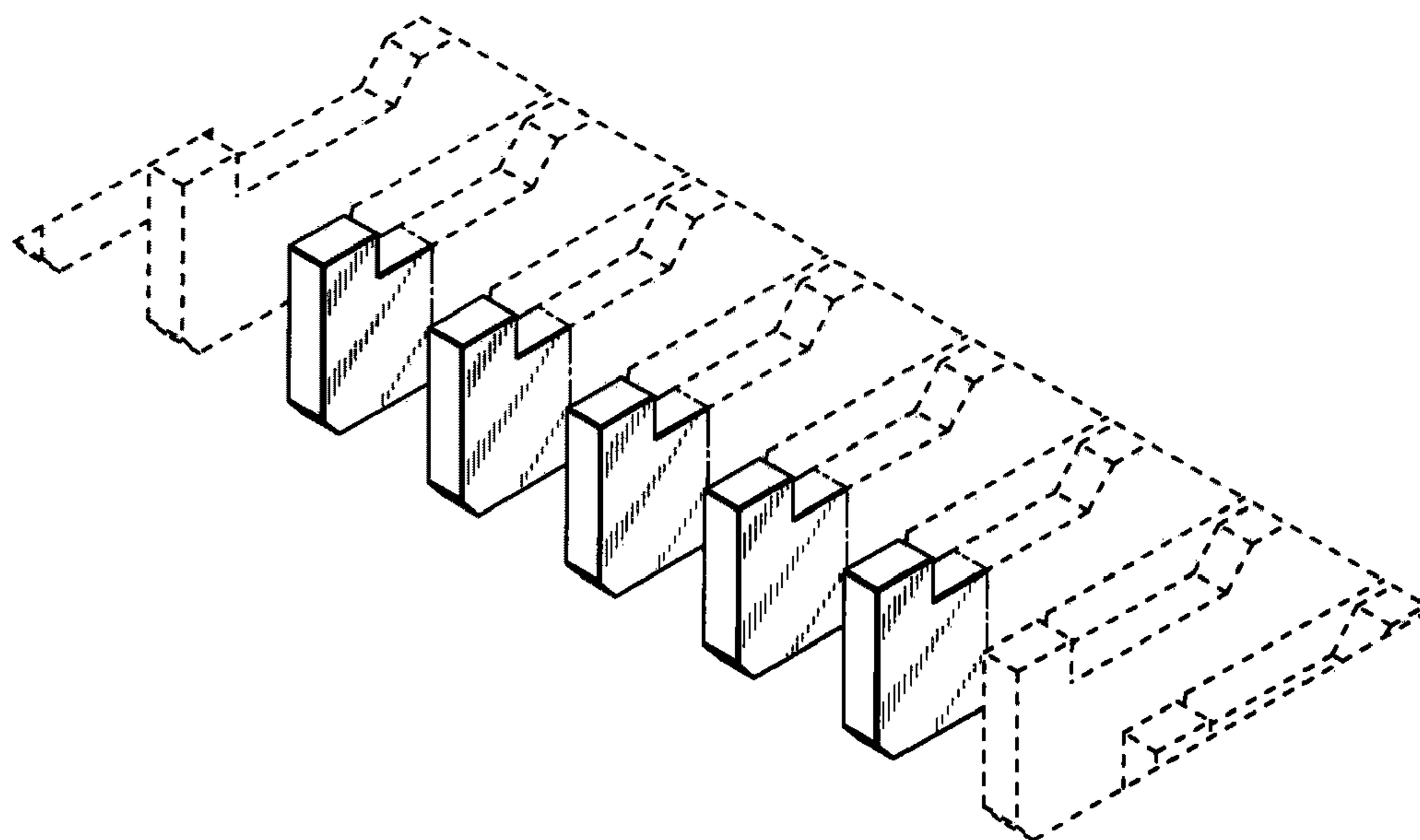


Fig. 1

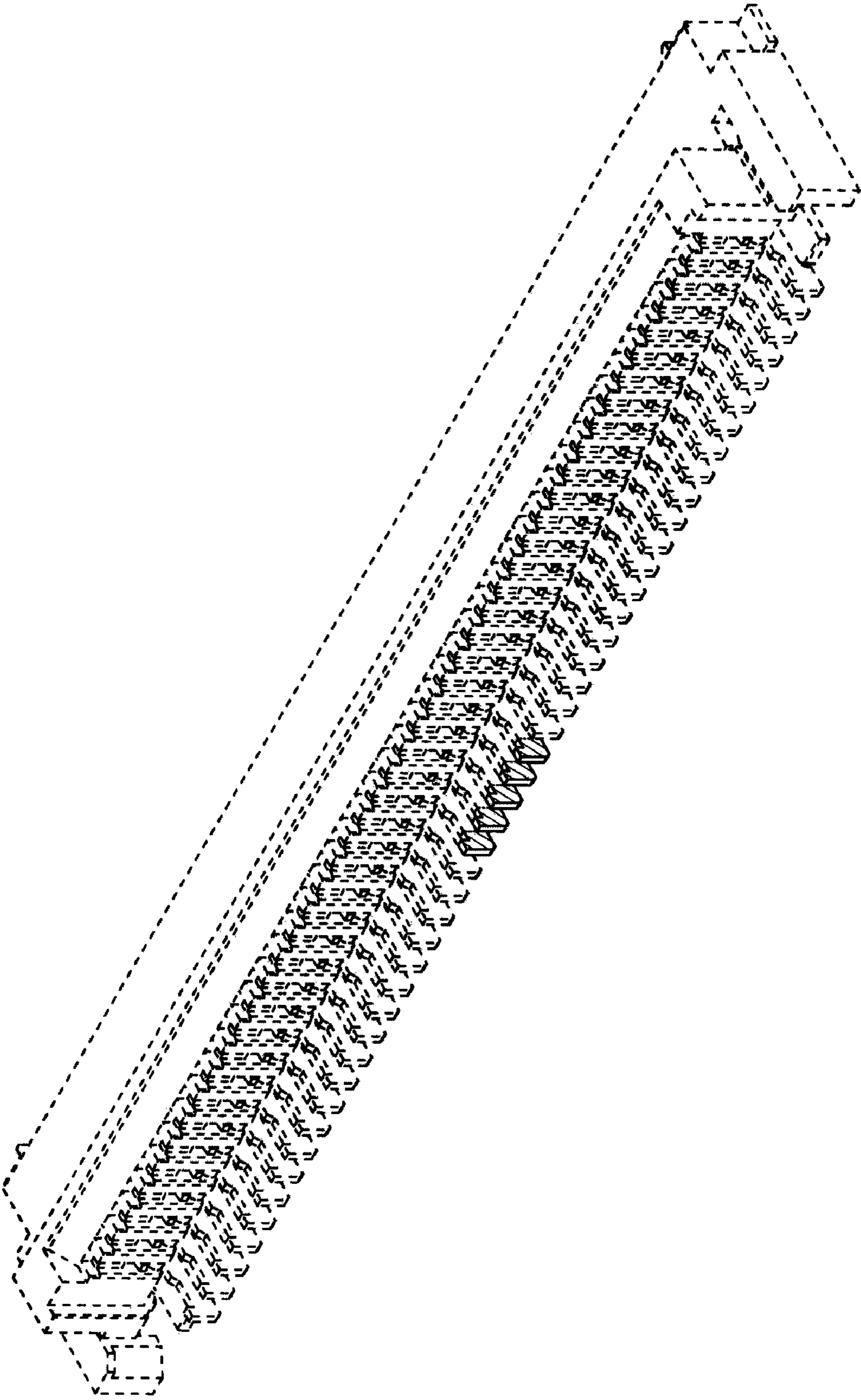


Fig. 2

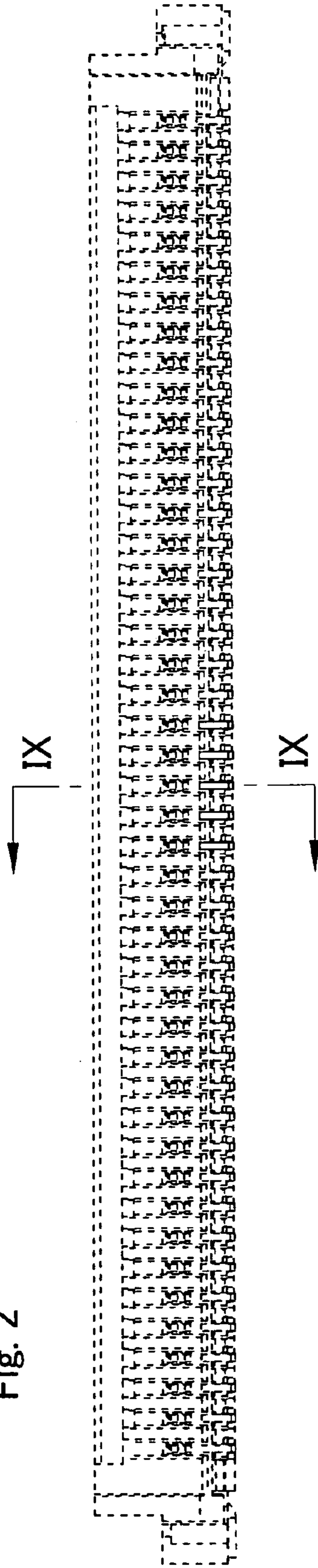


Fig. 3

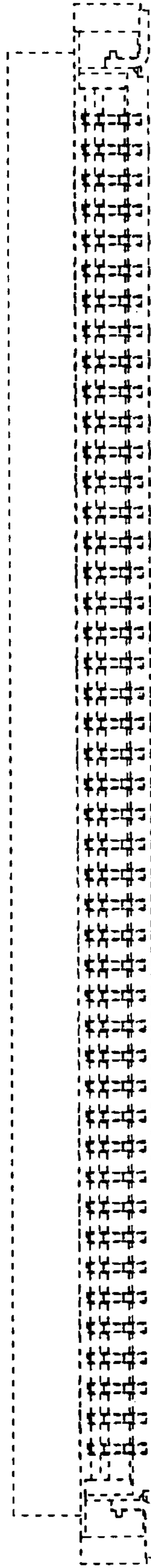


Fig. 4

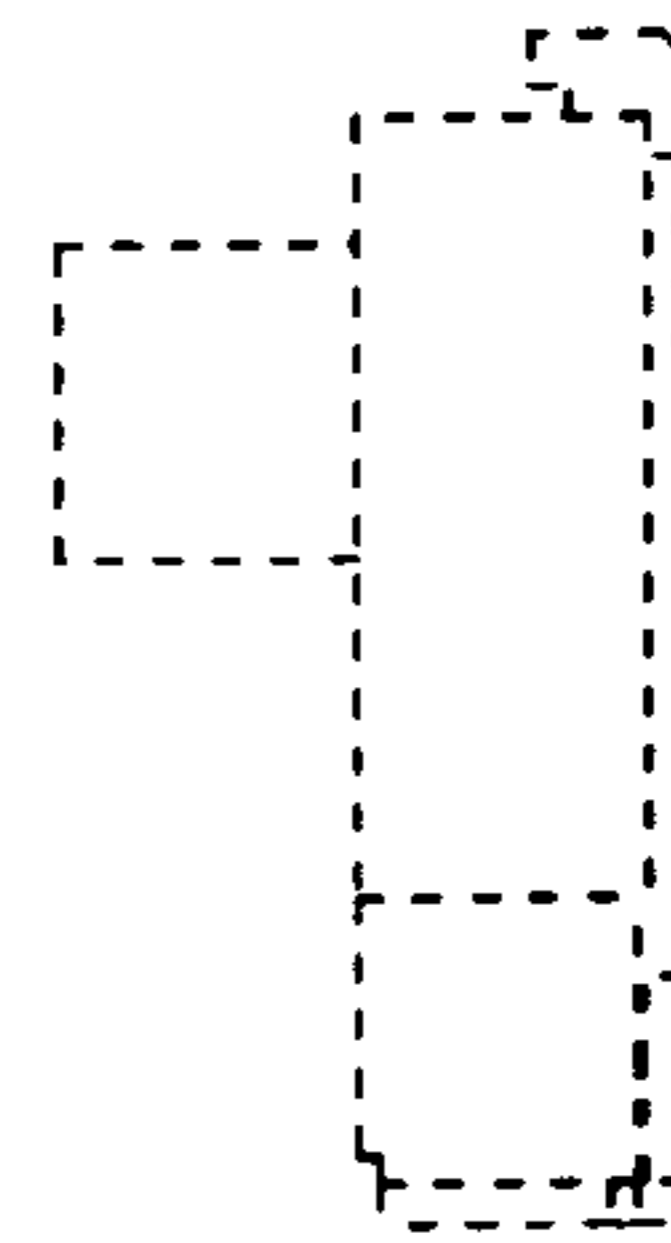


Fig. 5

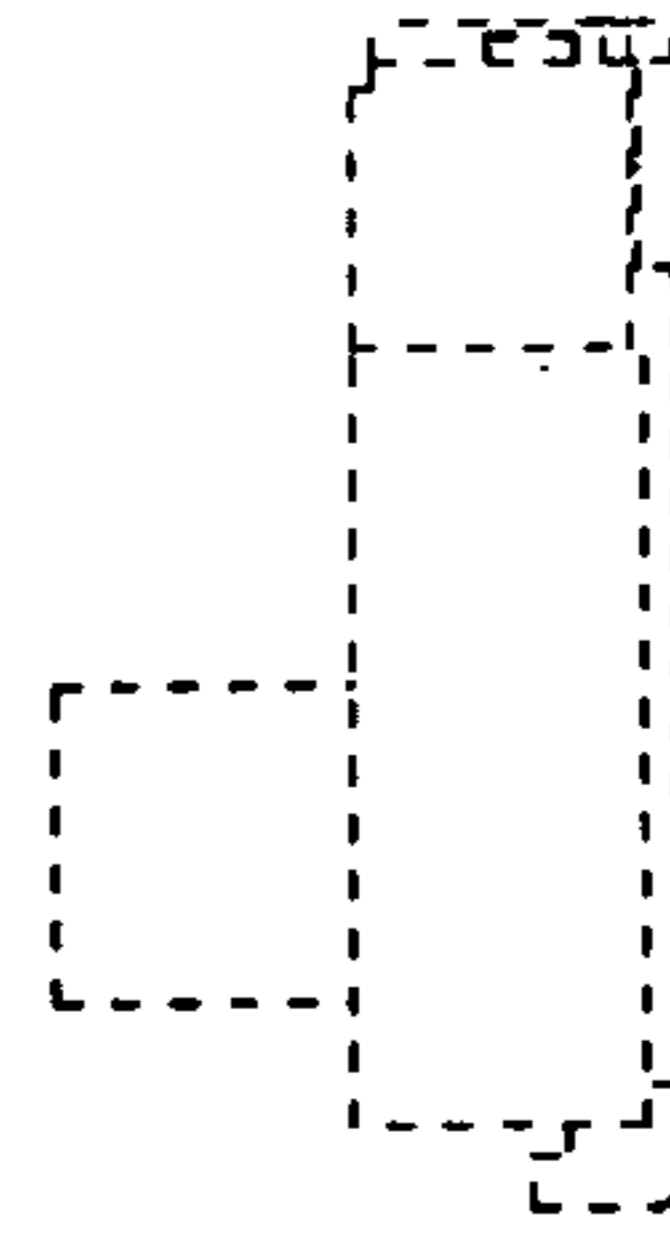


Fig. 6

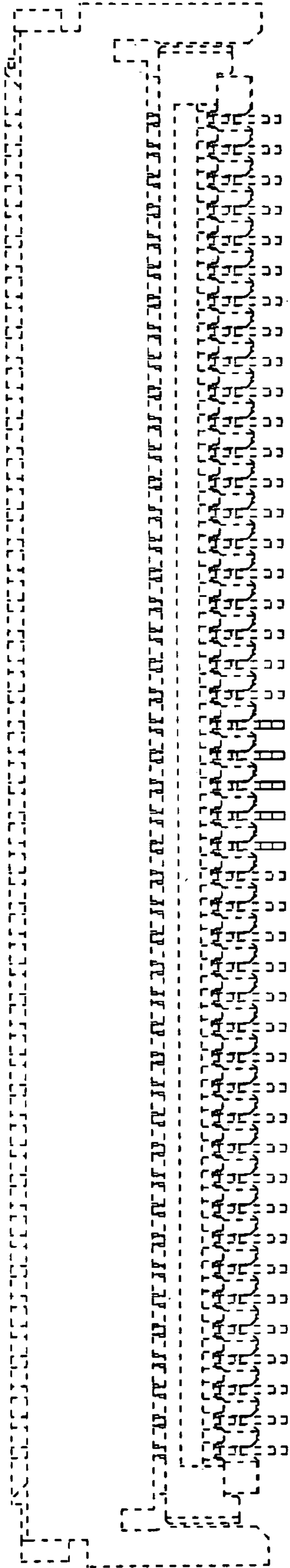
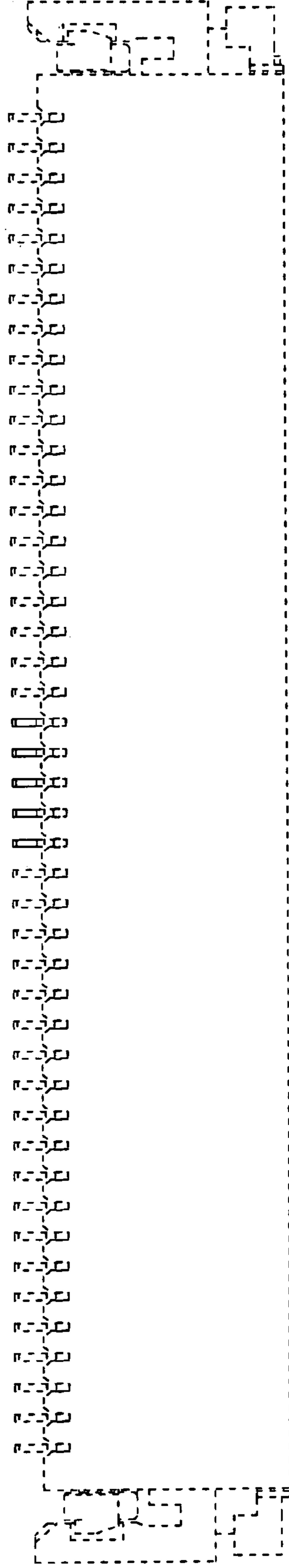


Fig. 7



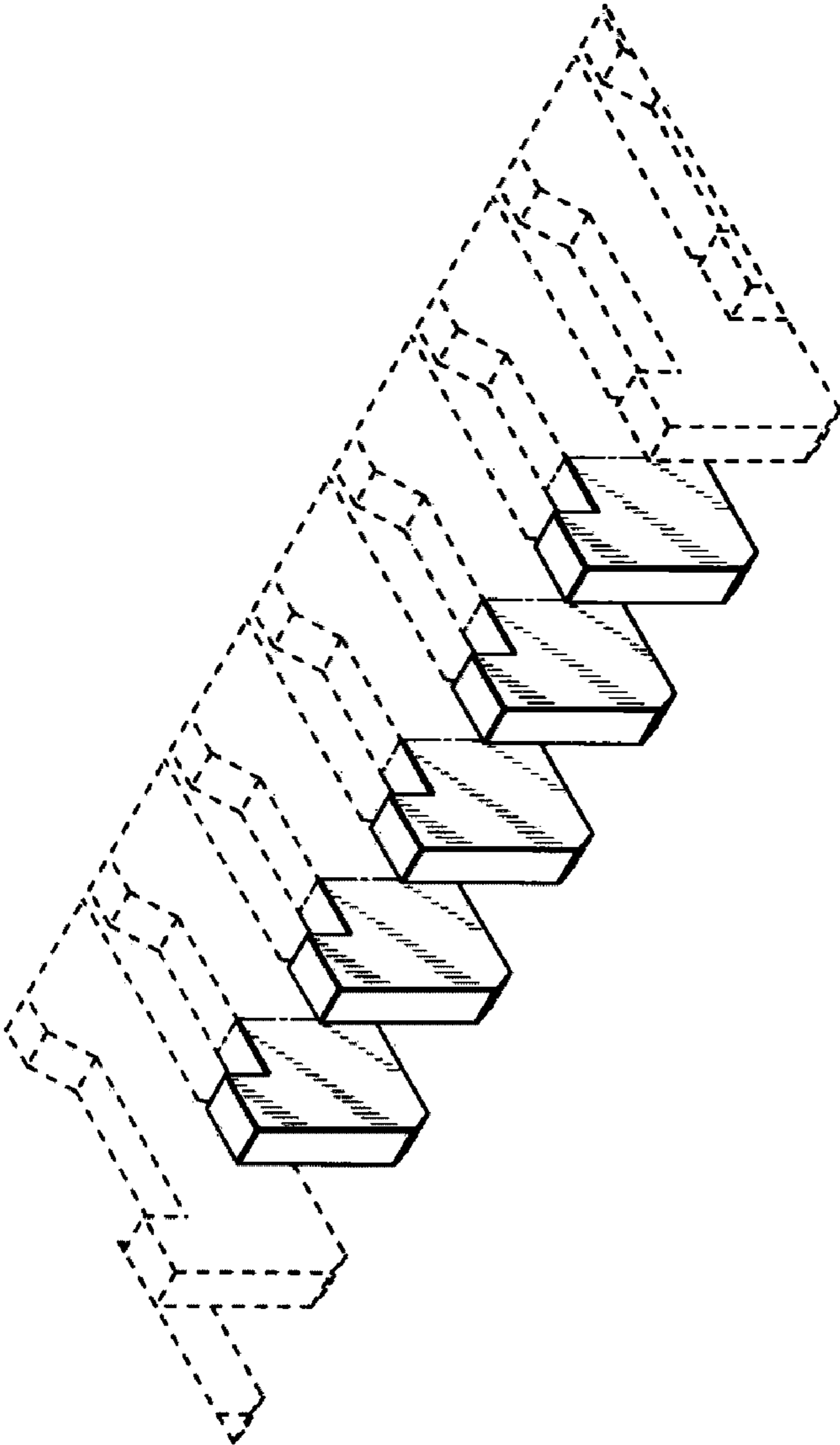


Fig. 8

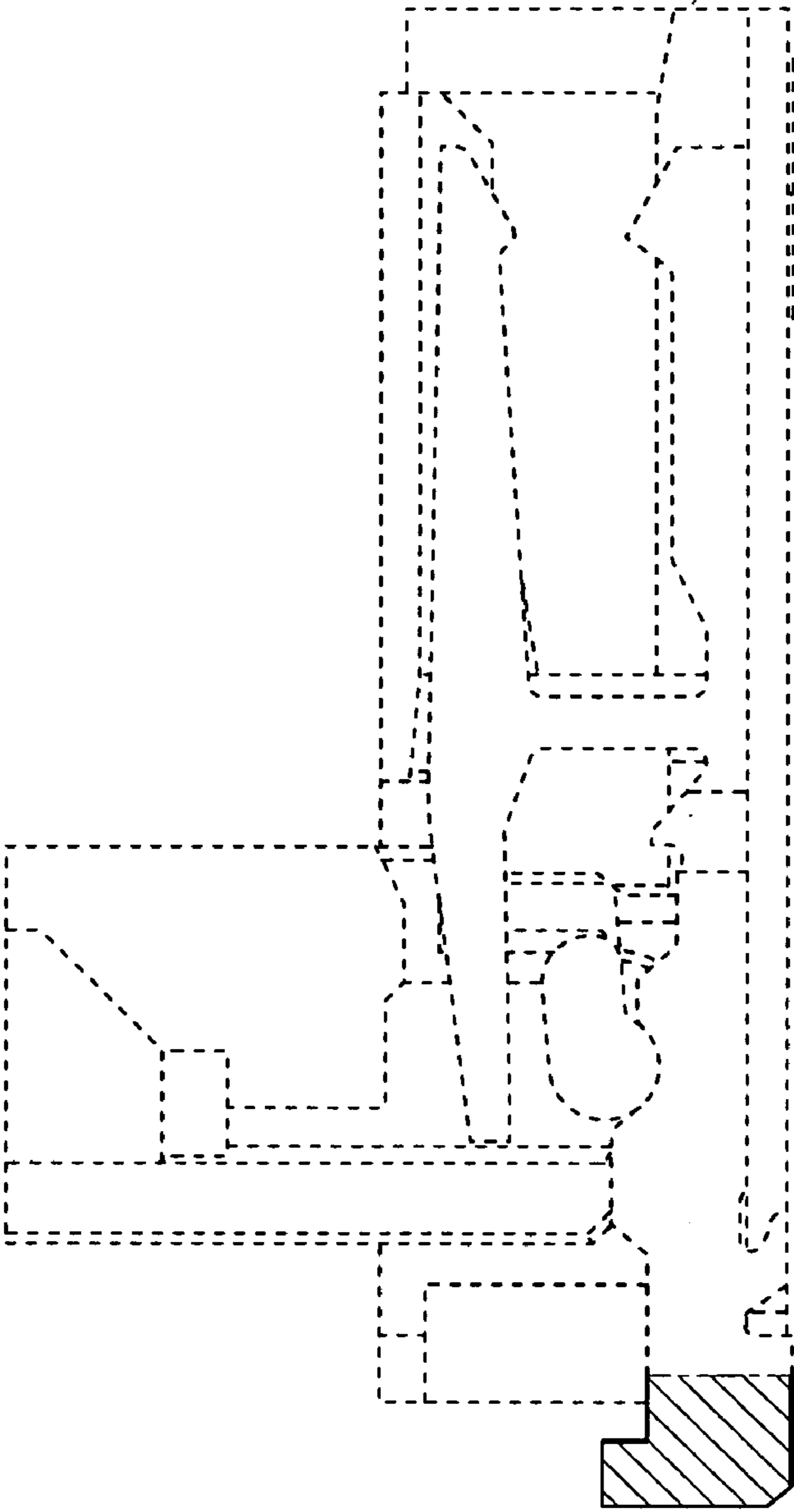


Fig. 9