



US00D635521S

(12) **United States Design Patent**
Holliday

(10) **Patent No.:** **US D635,521 S**
(45) **Date of Patent:** **** Apr. 5, 2011**

(54) **BULGE-TYPE CABLE CONNECTOR ASSEMBLY HAVING AN EXTERNAL COLOR BAND**

(75) Inventor: **Randall A. Holliday**, Broomfield, CO (US)

(73) Assignee: **Belden, Inc.**, Saint Louis, MO (US)

(**) Term: **14 Years**

(21) Appl. No.: **29/365,680**

(22) Filed: **Jul. 13, 2010**

Related U.S. Application Data

(60) Division of application No. 29/352,432, filed on Dec. 21, 2009, now Pat. No. Des. 621,367, which is a continuation-in-part of application No. 29/313,674, filed on Feb. 2, 2009, now Pat. No. Des. 606,494, which is a continuation-in-part of application No. 29/307,306, filed on Apr. 11, 2008, now Pat. No. Des. 588,991, which is a continuation of application No. 11/262,363, filed on Oct. 29, 2005, now Pat. No. 7,410,389, which is a continuation-in-part of application No. 10/927,884, filed on Aug. 27, 2004, now Pat. No. 7,188,507.

(51) **LOC (9) Cl.** **13-03**

(52) **U.S. Cl.** **D13/151**

(58) **Field of Classification Search** D13/133, D13/149, 151, 153, 154, 156, 199; 439/79, 439/248, 258, 274, 350, 352, 353, 358, 359, 439/362, 378, 445, 447, 578, 584, 585, 656, 439/660, 676, 677, 678, 679, 680, 681, 682, 439/686; 411/7, 11; 426/507; 28/828; 307/10.1; 333/81 A

See application file for complete search history.

(56) **References Cited**

U.S. PATENT DOCUMENTS

D312,814 S *	12/1990	Takizawa	D13/133
D514,071 S *	1/2006	Vahey	D13/154
D588,991 S *	3/2009	Holliday	D13/151
D597,959 S *	8/2009	Malloy	D13/151
D620,894 S *	8/2010	Lutz et al.	D13/151
D621,367 S *	8/2010	Holliday	D13/151
2006/0205272 A1 *	9/2006	Rodrigues	439/585

* cited by examiner

Primary Examiner — Thomas J Johannes

(74) *Attorney, Agent, or Firm* — The Reilly Intellectual Property Law Firm, P.C.; John E. Reilly; Ellen Reilly

(57) **CLAIM**

The ornamental design for bulge-type cable connector assembly having an external color band, as shown and described.

DESCRIPTION

FIG. 1 is a front perspective view of an eleventh embodiment of a bulge-type cable connector assembly having an external color band showing my new design.

FIG. 2 is a side elevation view thereof.

FIG. 3 is an end plan view thereof.

FIG. 4 is an opposite end plan view thereof.

FIG. 5 is a front perspective view of a twelfth embodiment of a bulge-type cable connector assembly having an external color band showing my new design.

FIG. 6 is a side elevation view thereof.

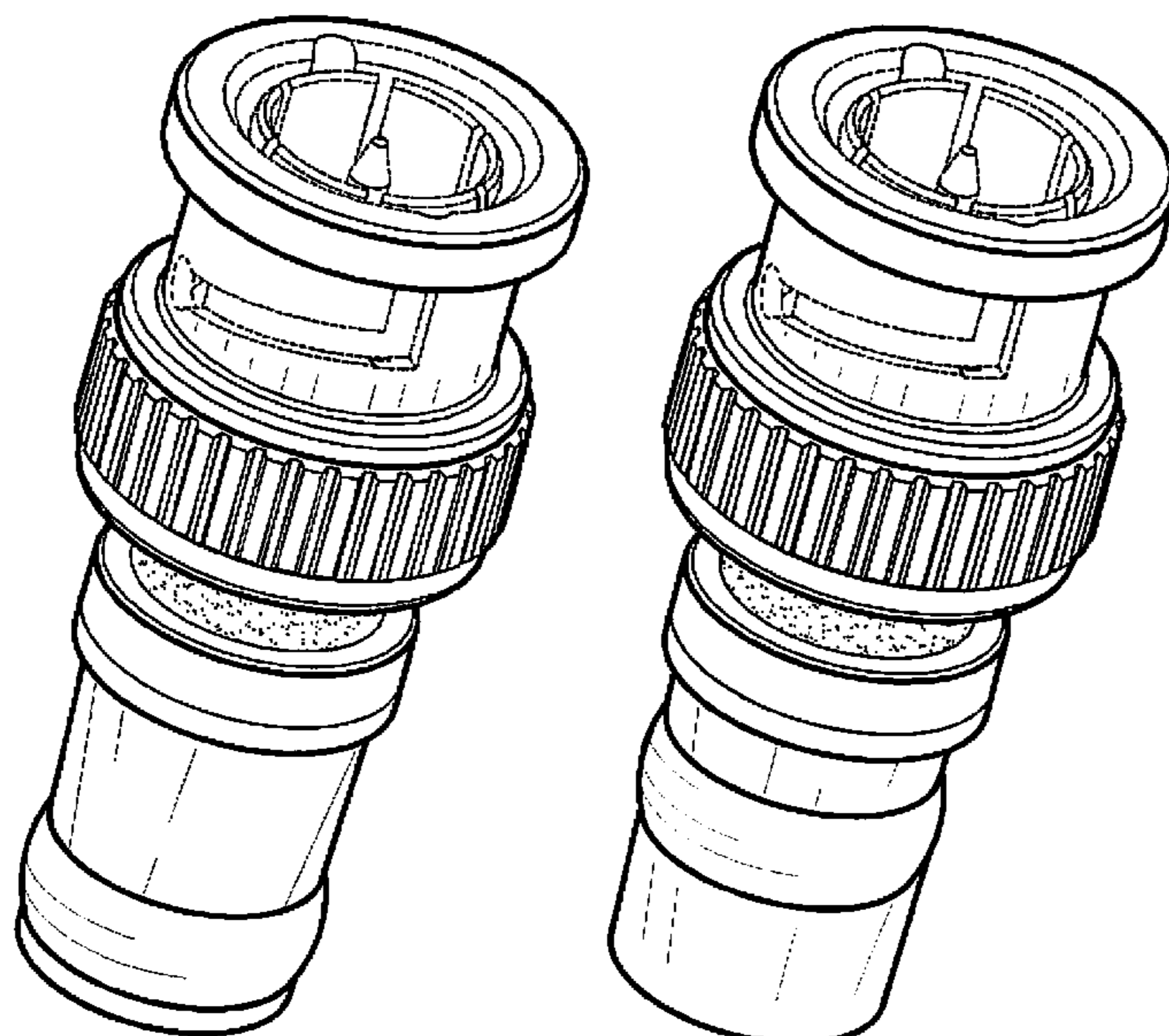
FIG. 7 is an end plan view thereof; and,

FIG. 8 is an opposite end plan view thereof.

The broken line portion of the figure drawings is included to show unclaimed subject matter only and forms no part of the claimed design.

The stippled portions shown in FIGS. 1, 2, 5 and 6 represent different selected colors.

1 Claim, 2 Drawing Sheets



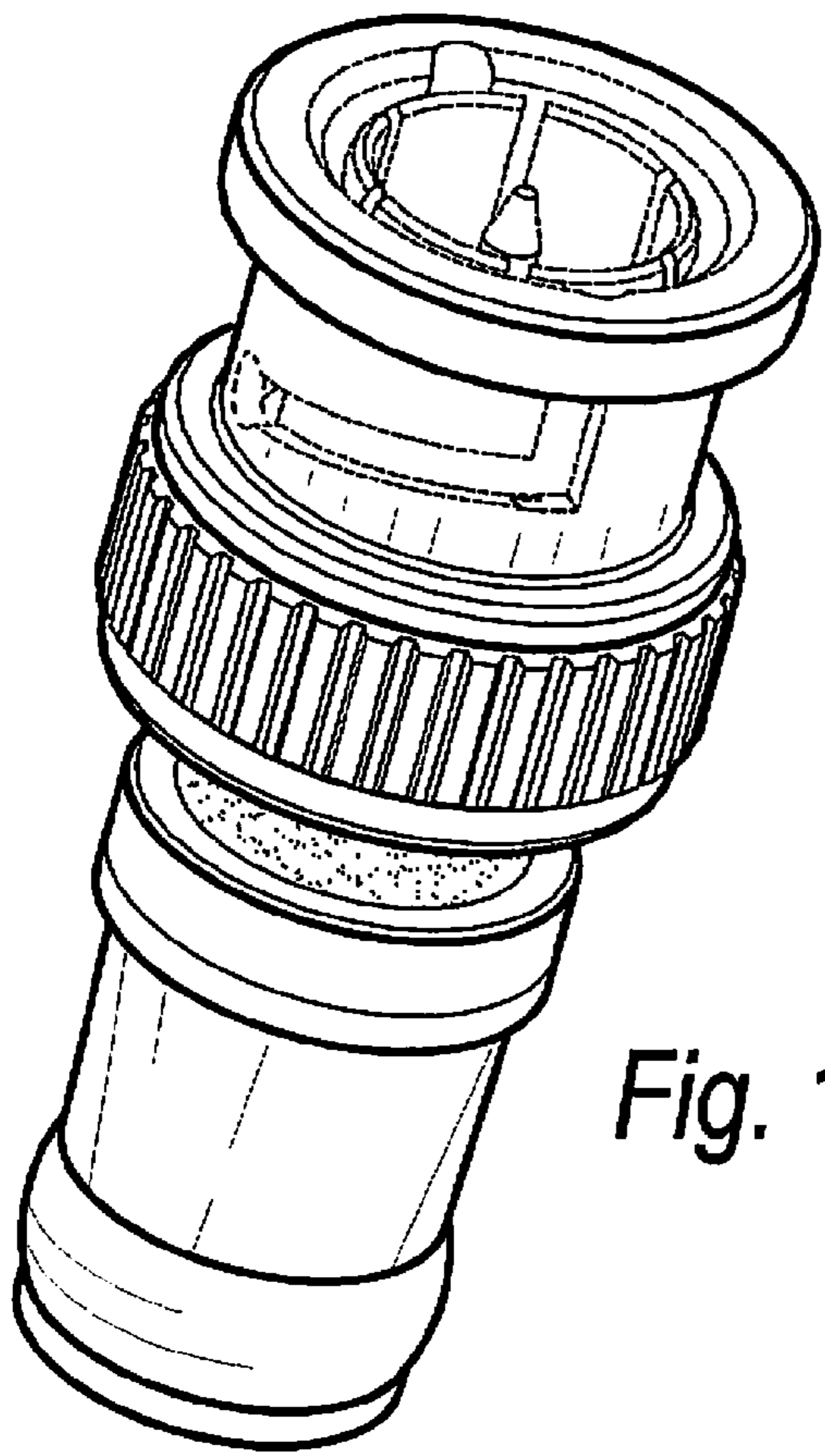


Fig. 1

Fig. 4

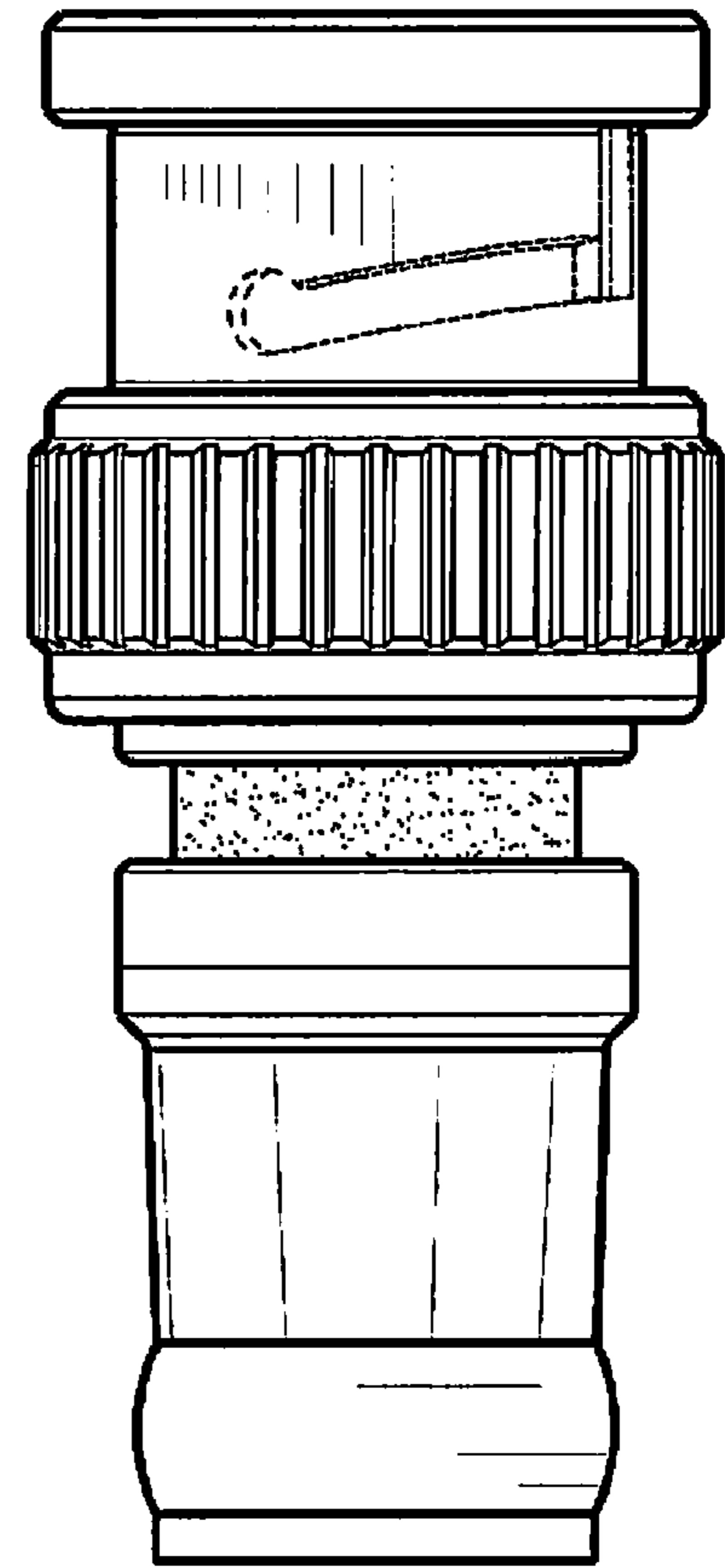
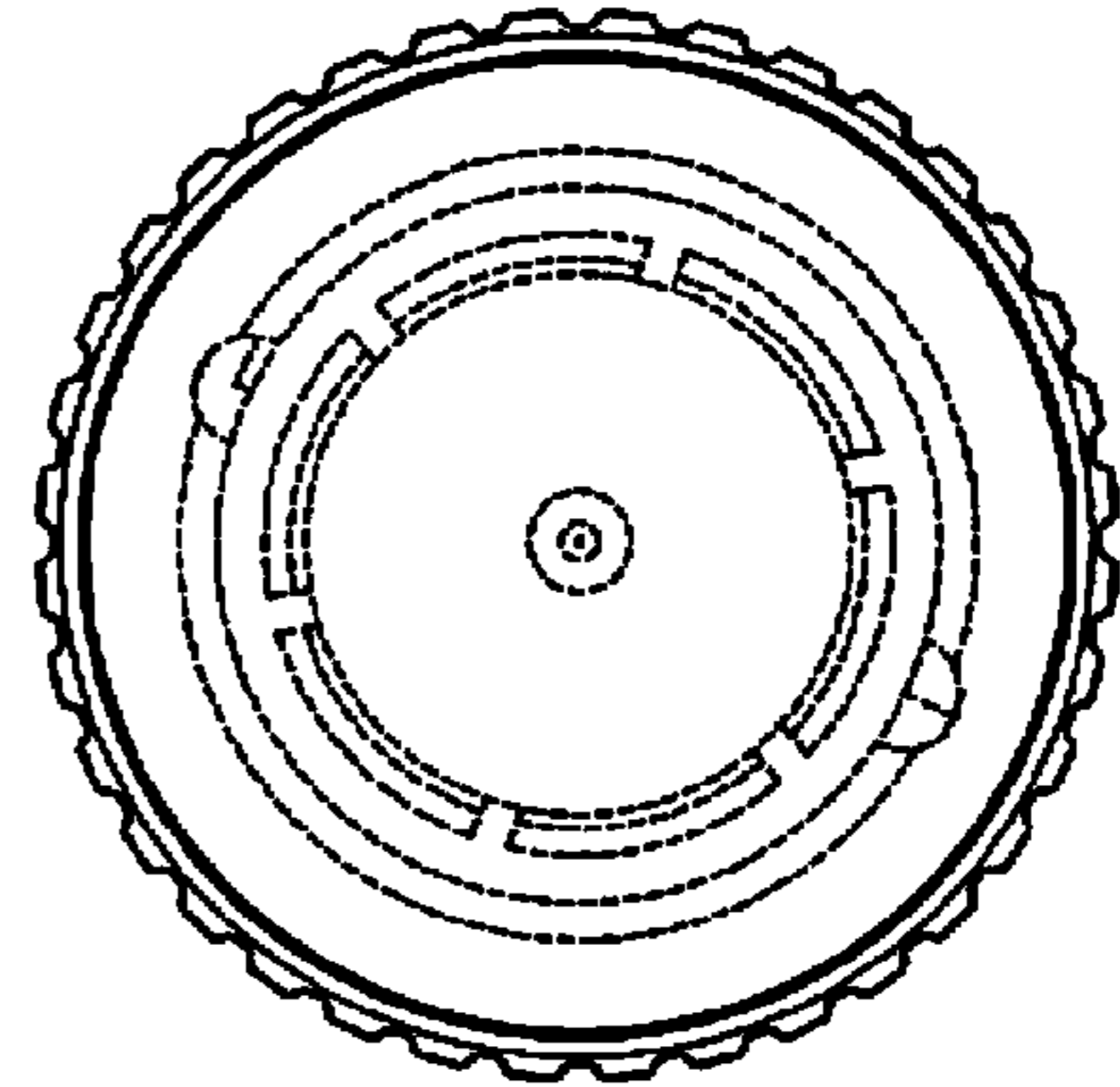
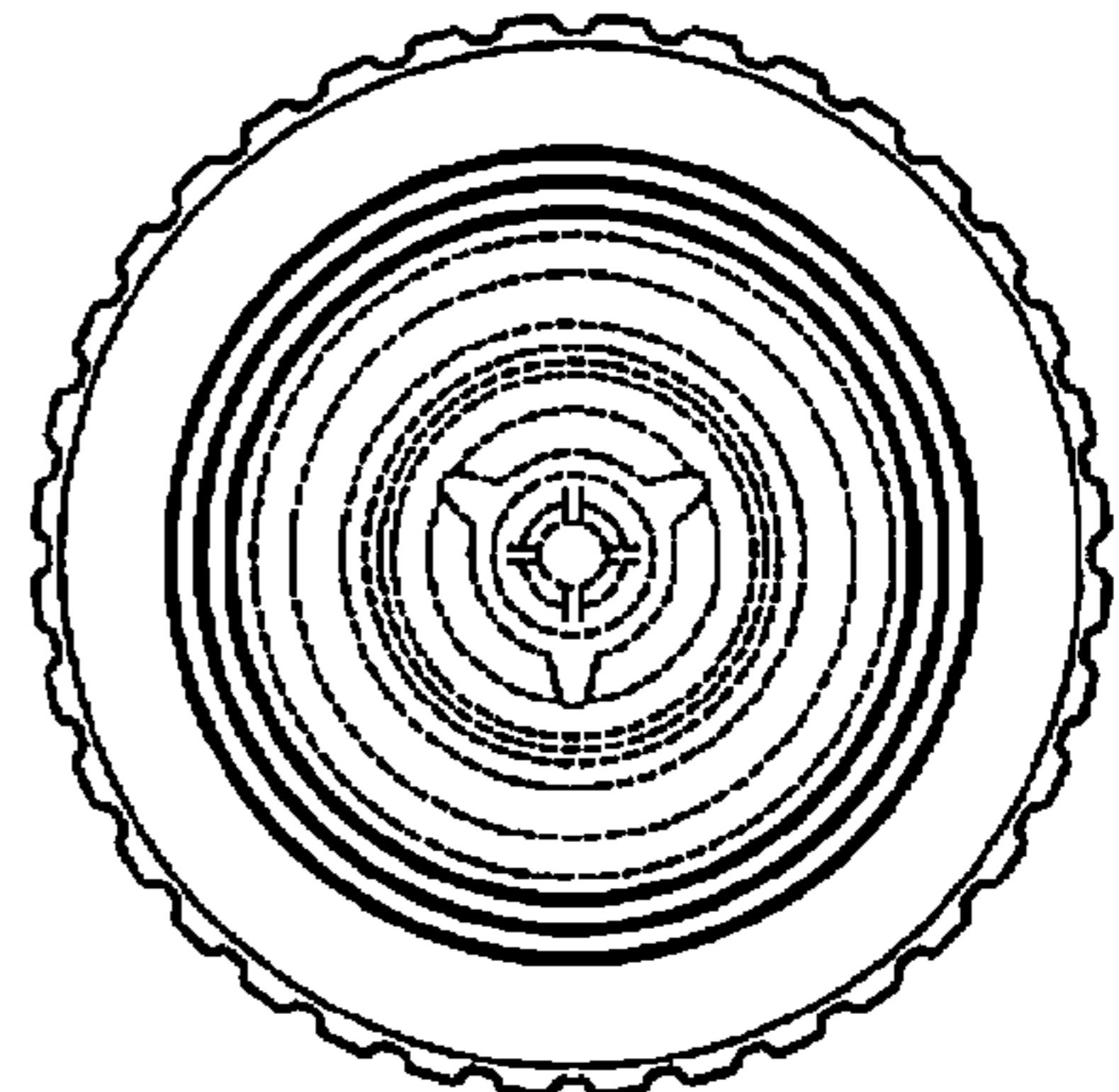


Fig. 2

Fig. 3



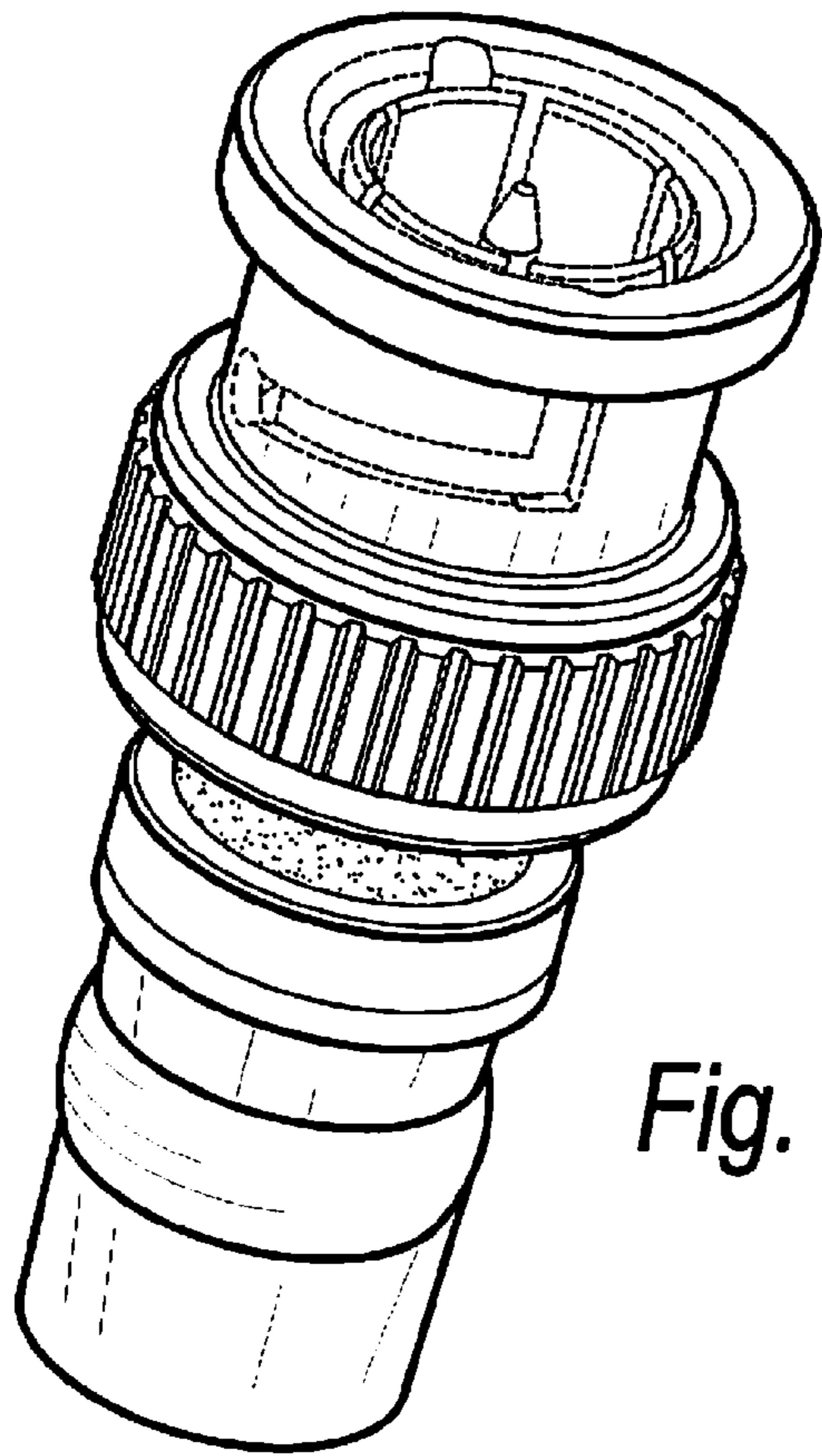


Fig. 5

Fig. 8

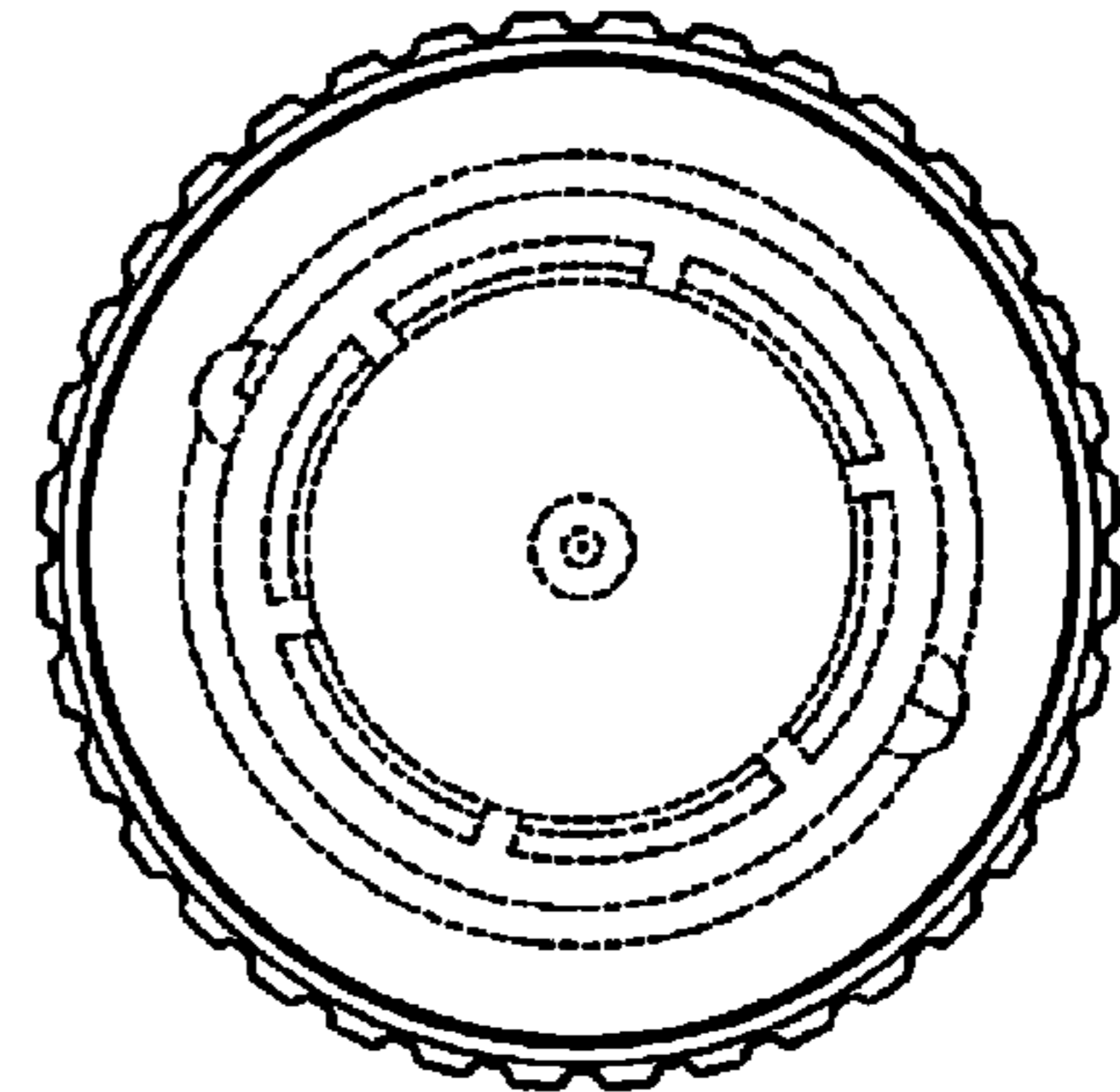


Fig. 6

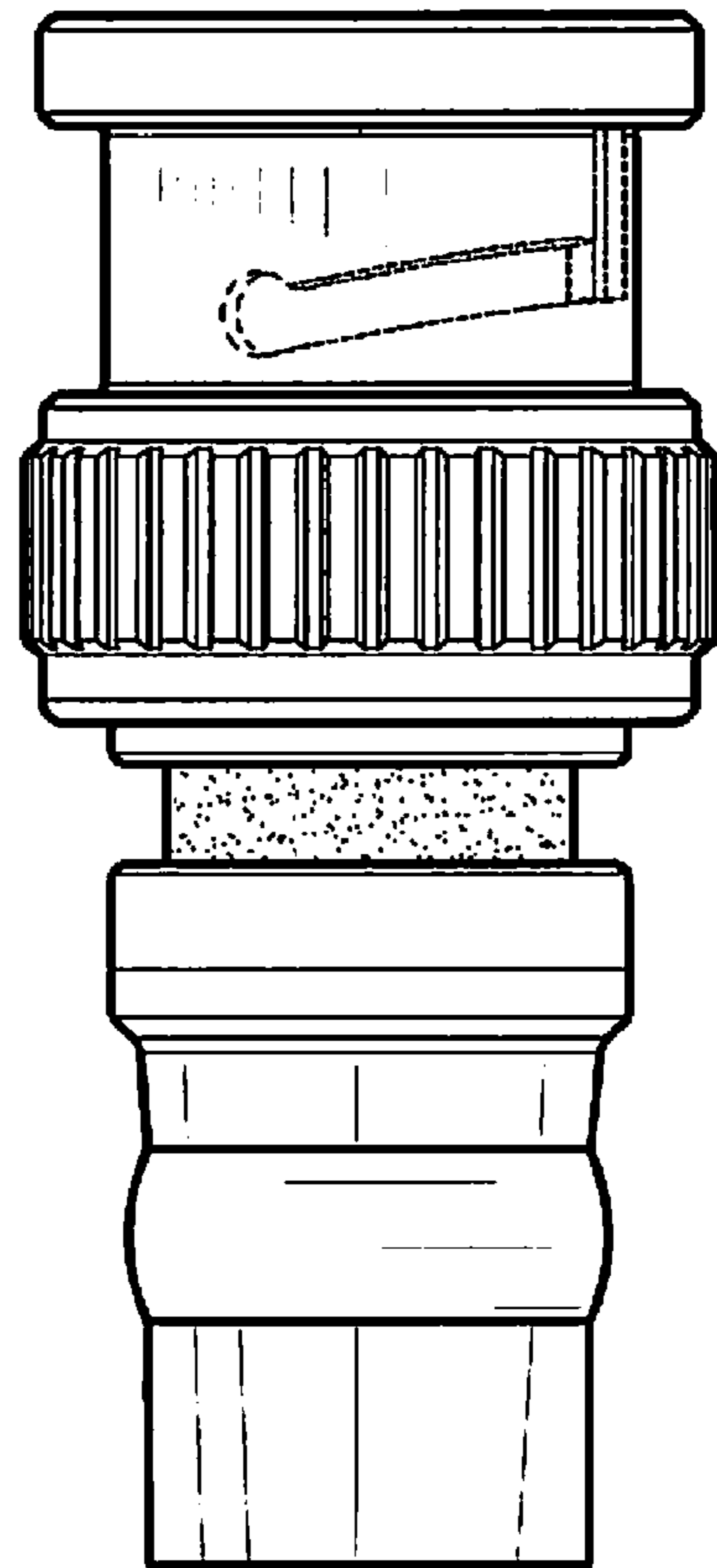


Fig. 7

