



US00D635520S

(12) **United States Design Patent**
Kiely

(10) **Patent No.:** **US D635,520 S**

(45) **Date of Patent:** **** Apr. 5, 2011**

(54) **ELECTRICAL CONNECTOR**

(75) **Inventor:** **Kenneth M. Kiely**, Milford, CT (US)

(73) **Assignee:** **Bridgeport Fittings, Inc.**, Stratford, CT (US)

(**) **Term:** **14 Years**

(21) **Appl. No.:** **29/348,398**

(22) **Filed:** **Dec. 30, 2009**

(51) **LOC (9) Cl.** **13-03**

(52) **U.S. Cl.** **D13/149; D13/133**

(58) **Field of Classification Search** D13/133,
D13/148, 149, 151, 154, 184; 439/92, 142,
439/320, 535, 557; D8/330, 331, 382, 383,
D8/394, 395; 248/49, 74.1, 62, 63; 174/65 R,
174/65 G, 68.1, 68.3, 69, 71 R, 72 C
See application file for complete search history.

(56) **References Cited**

U.S. PATENT DOCUMENTS

D339,793	S	*	9/1993	Nardi et al.	D13/149
D360,188	S	*	7/1995	Kiely et al.	D13/152
D404,362	S	*	1/1999	Auray et al.	D13/152
7,057,107	B2	*	6/2006	Auray et al.	174/659
D581,877	S	*	12/2008	Kiely	D13/151
D596,578	S	*	7/2009	Kiely et al.	D13/149

D600,649	S	*	9/2009	Smith	D13/149
D600,650	S	*	9/2009	Smith	D13/149
D600,651	S	*	9/2009	Smith	D13/149
D601,094	S	*	9/2009	Smith	D13/149
2003/0040214	A1	*	2/2003	Kiely	439/491

* cited by examiner

Primary Examiner — Thomas J Johannes

(74) *Attorney, Agent, or Firm* — Alfred A. Fressola; Ware, Fressola, Van Der Sluys & Adolphson LLP

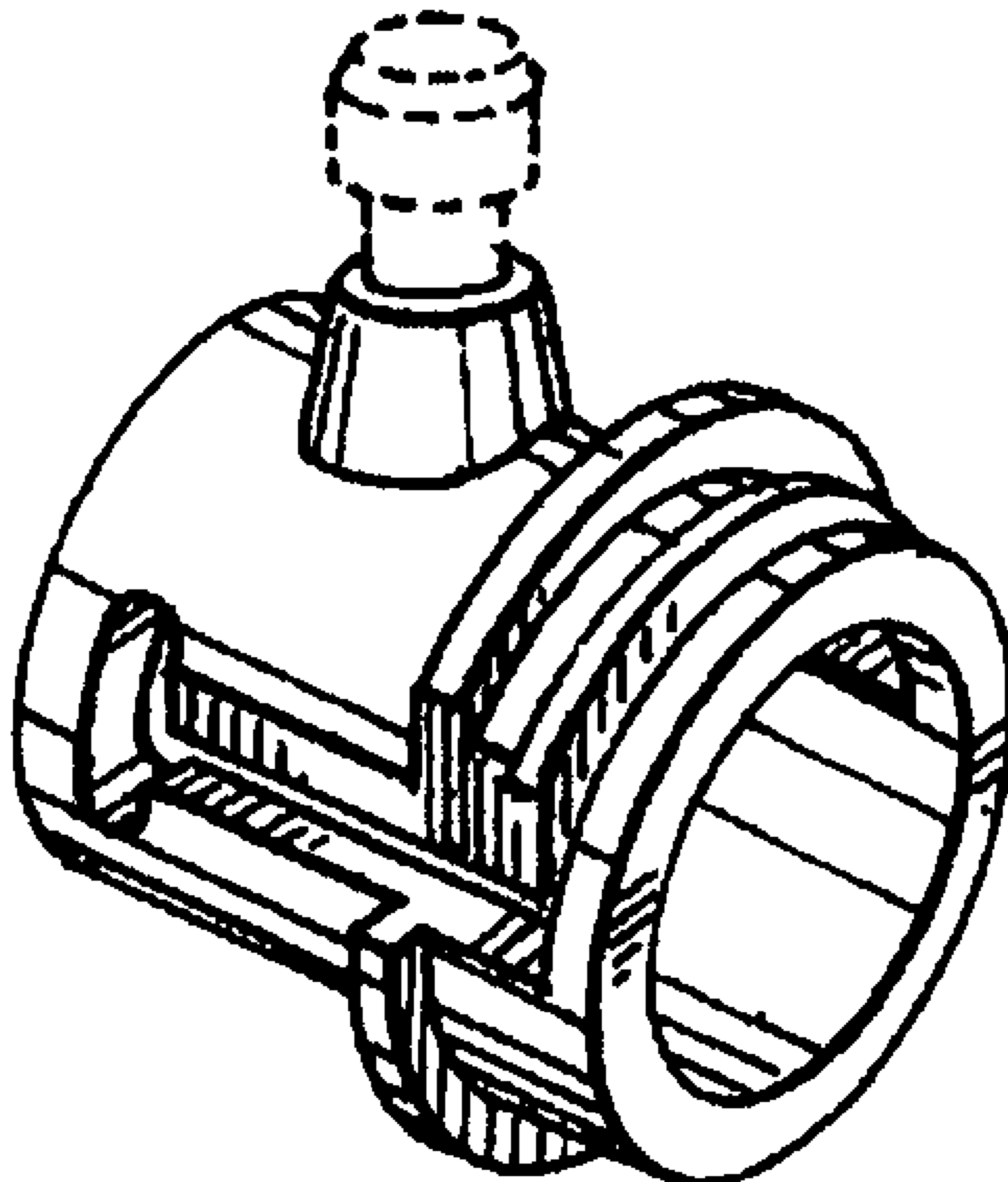
(57) **CLAIM**

The ornamental design for an electrical connector, as shown and described.

DESCRIPTION

FIG. 1 is a front perspective view of an electrical connector showing my new design;
FIG. 2 is a front elevation view thereof;
FIG. 3 is a rear elevation view thereof;
FIG. 4 is a side elevation view thereof, the opposite side being a mirror image thereto;
FIG. 5 is a top plan view thereof; and,
FIG. 6 is a bottom plan view thereof.
The broken line portion of the figure drawings is included to show an unclaimed screw only and forms no part of the claimed design.

1 Claim, 2 Drawing Sheets



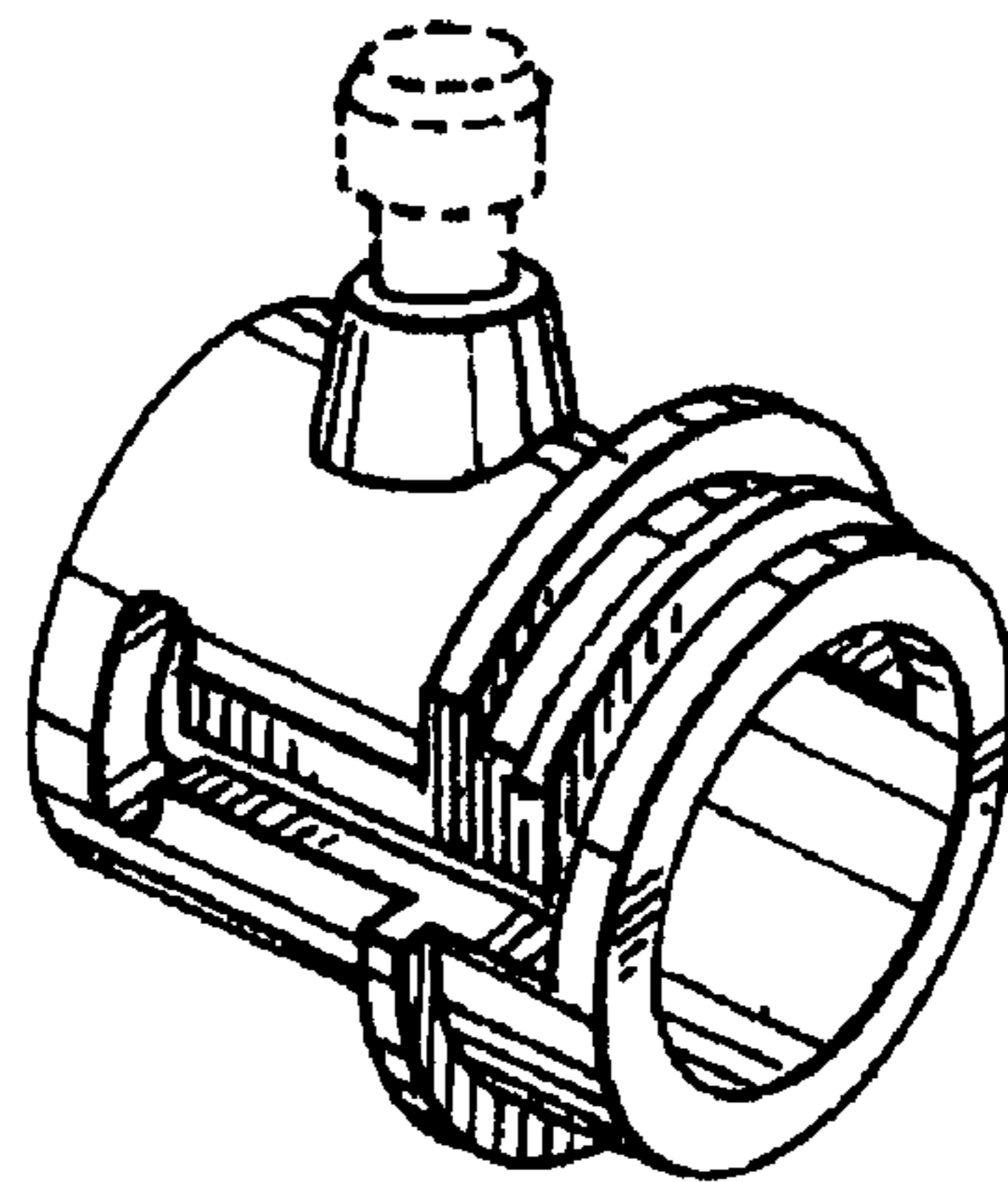


FIG. 1

FIG. 2

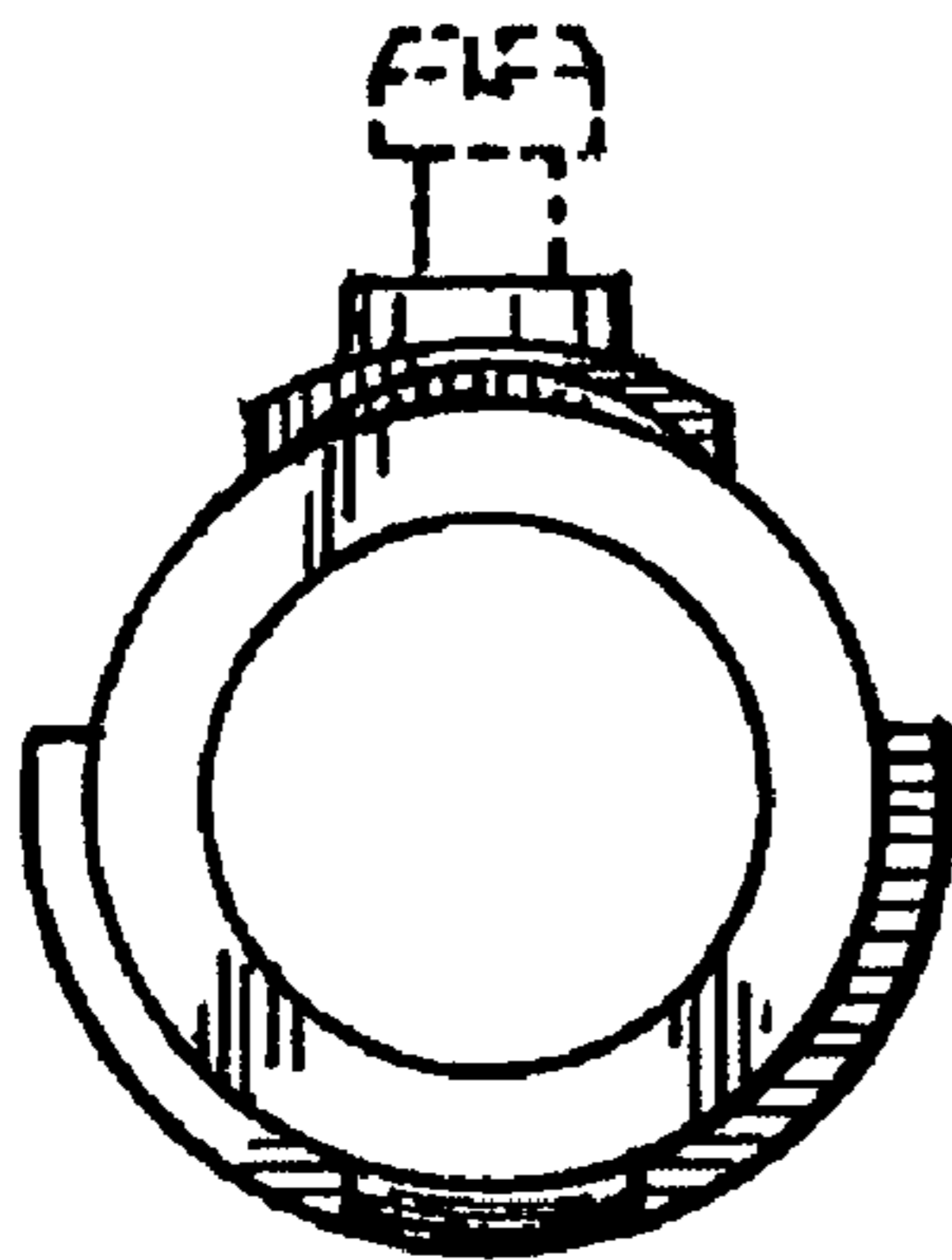


FIG. 3

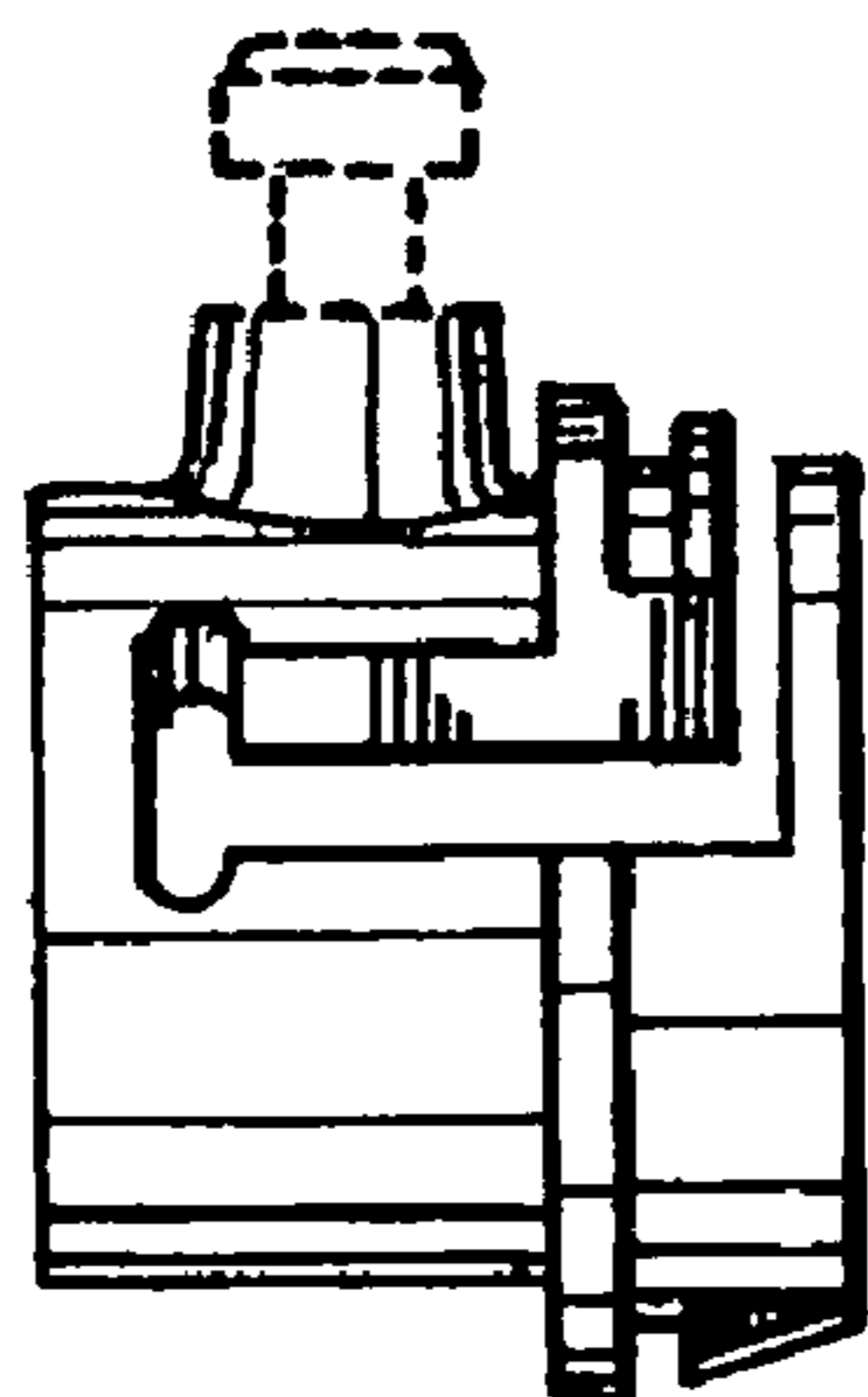
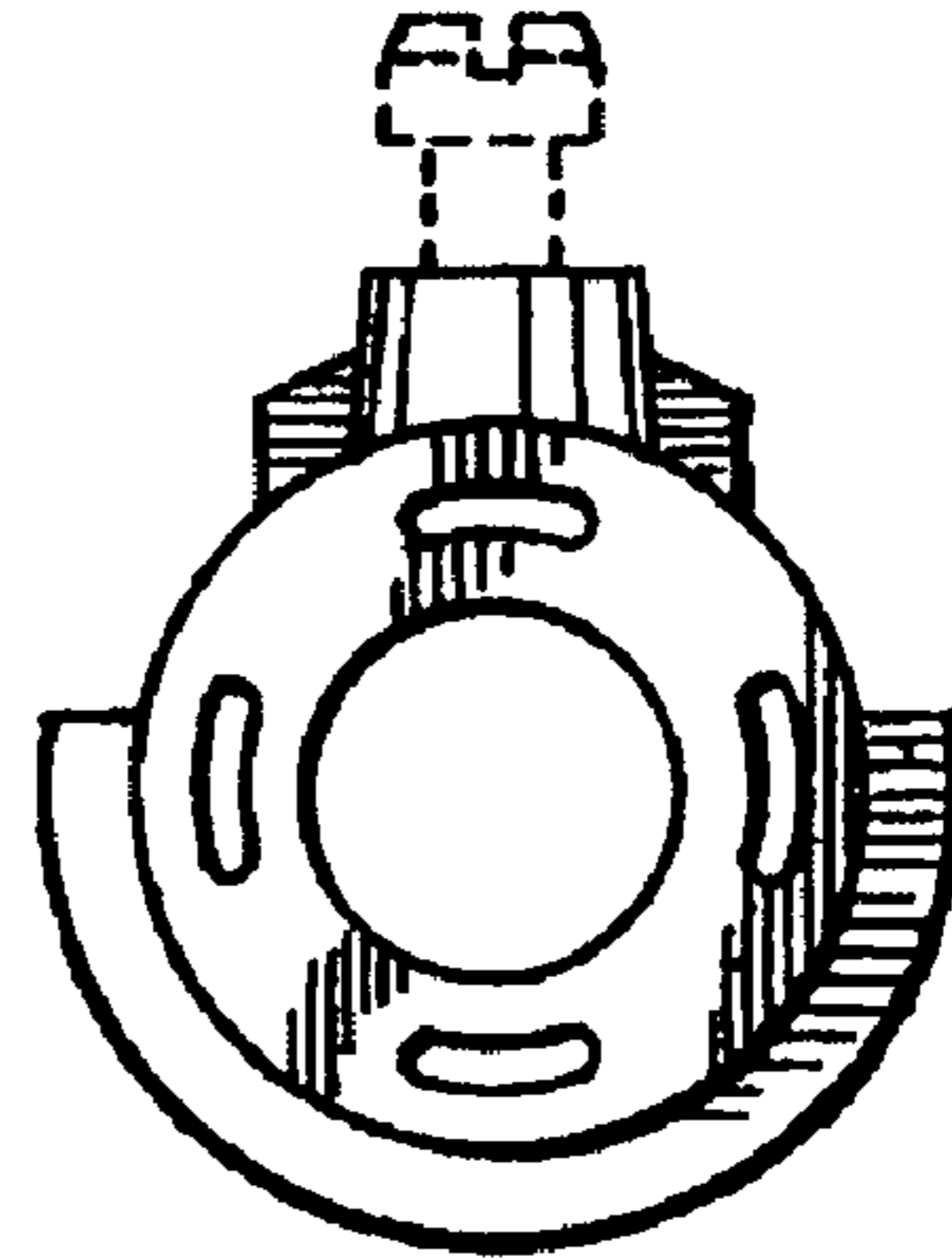


FIG. 4

FIG. 5

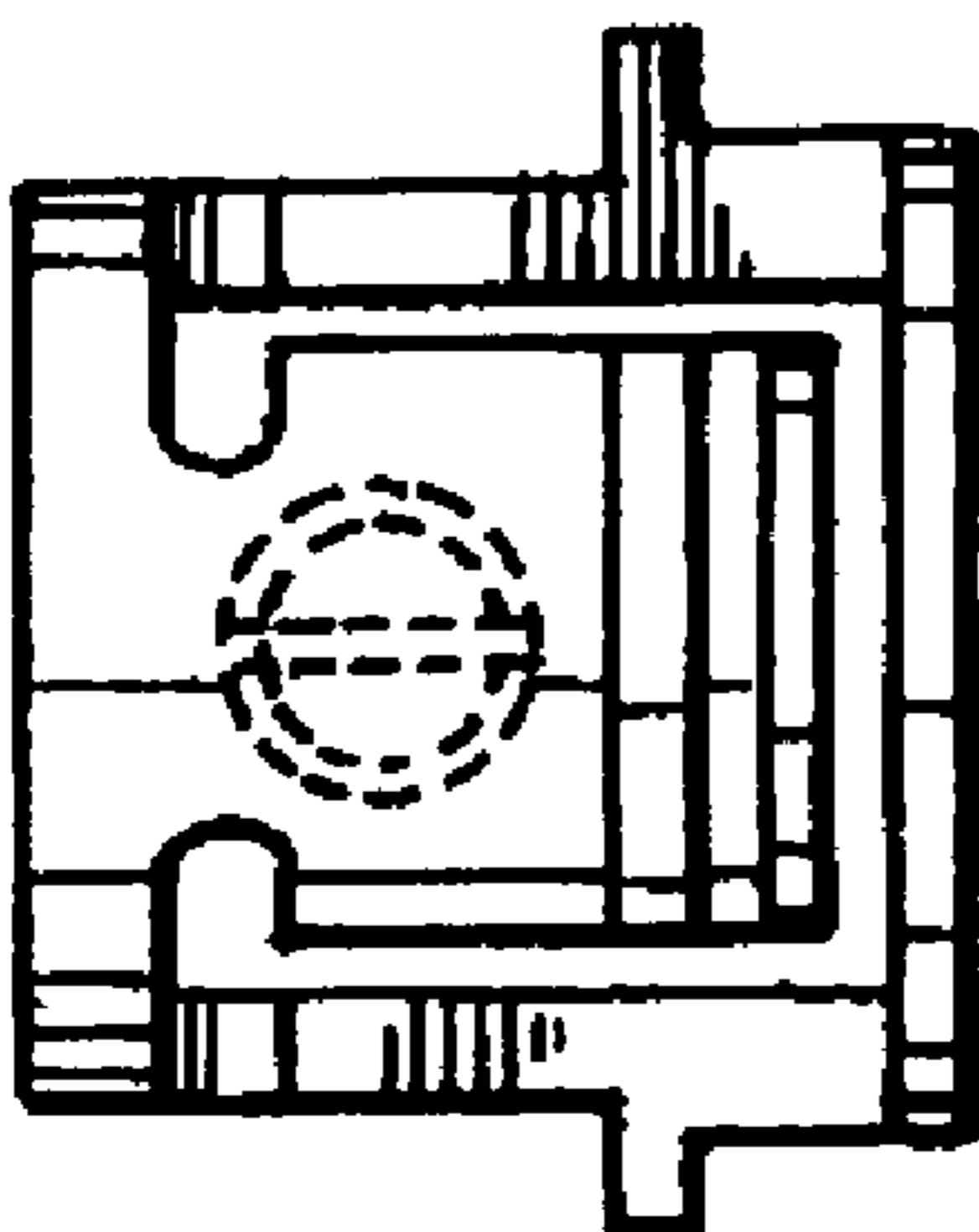


FIG. 6

