



US00D635519S

(12) **United States Design Patent**
Hoffman et al.

(10) **Patent No.:** **US D635,519 S**

(45) **Date of Patent:** **** Apr. 5, 2011**

(54) **ELECTRICAL CONNECTOR HOUSING**

(75) Inventors: **Jonathan Hoffman**, Vancouver, WA
(US); **Robert Santos**, Vancouver, WA
(US)

(73) Assignee: **Samtec, Inc.**, New Albany, IN (US)

(**) Term: **14 Years**

(21) Appl. No.: **29/360,150**

(22) Filed: **Apr. 21, 2010**

(51) **LOC (9) Cl.** **13-03**

(52) **U.S. Cl.** **D13/147**

(58) **Field of Classification Search** D13/147,
D13/154, 156, 184; 439/79, 108, 159-160,
439/260, 329, 395, 607.01, 607.04, 607.05,
439/607.17, 607.25, 607.34, 607.41, 607.53,
439/629, 630

See application file for complete search history.

(56) **References Cited**

U.S. PATENT DOCUMENTS

D438,843 S * 3/2001 Middlehurst D13/147
D457,860 S * 5/2002 Larsen et al. D13/147
D459,700 S * 7/2002 Larsen D13/147

D460,045 S * 7/2002 Larsen D13/147
D460,418 S * 7/2002 Han D13/147
D543,944 S * 6/2007 Yamada et al. D13/147
D619,537 S * 7/2010 Cohen et al. D13/147
2009/0075511 A1* 3/2009 Givens et al. 439/345

* cited by examiner

Primary Examiner — Daniel D Bui

(74) *Attorney, Agent, or Firm* — Keating & Bennett, LLP

(57) **CLAIM**

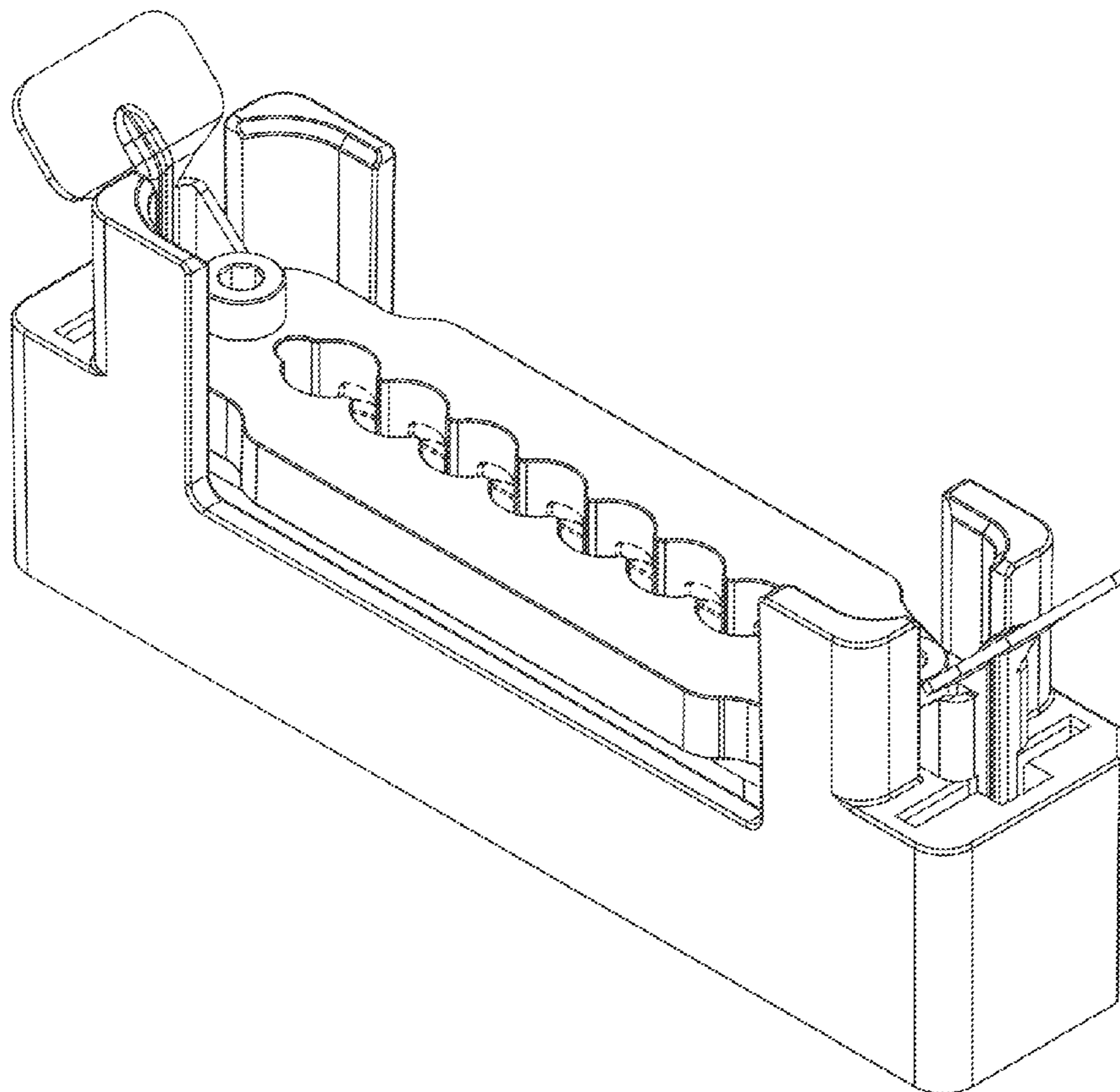
The ornamental design for an electrical connector housing, as shown and described.

DESCRIPTION

FIG. 1 is a perspective view of an electrical connector housing according to our new design; FIG. 2 is a top view thereof; FIG. 3 is a front view thereof; FIG. 4 is a left view thereof; FIG. 5 is a back view thereof; FIG. 6 is a right view thereof; and, FIG. 7 is a bottom view thereof.

The broken line in the drawing views is included to show unclaimed subject matter only and forms no part of the claimed design.

1 Claim, 7 Drawing Sheets



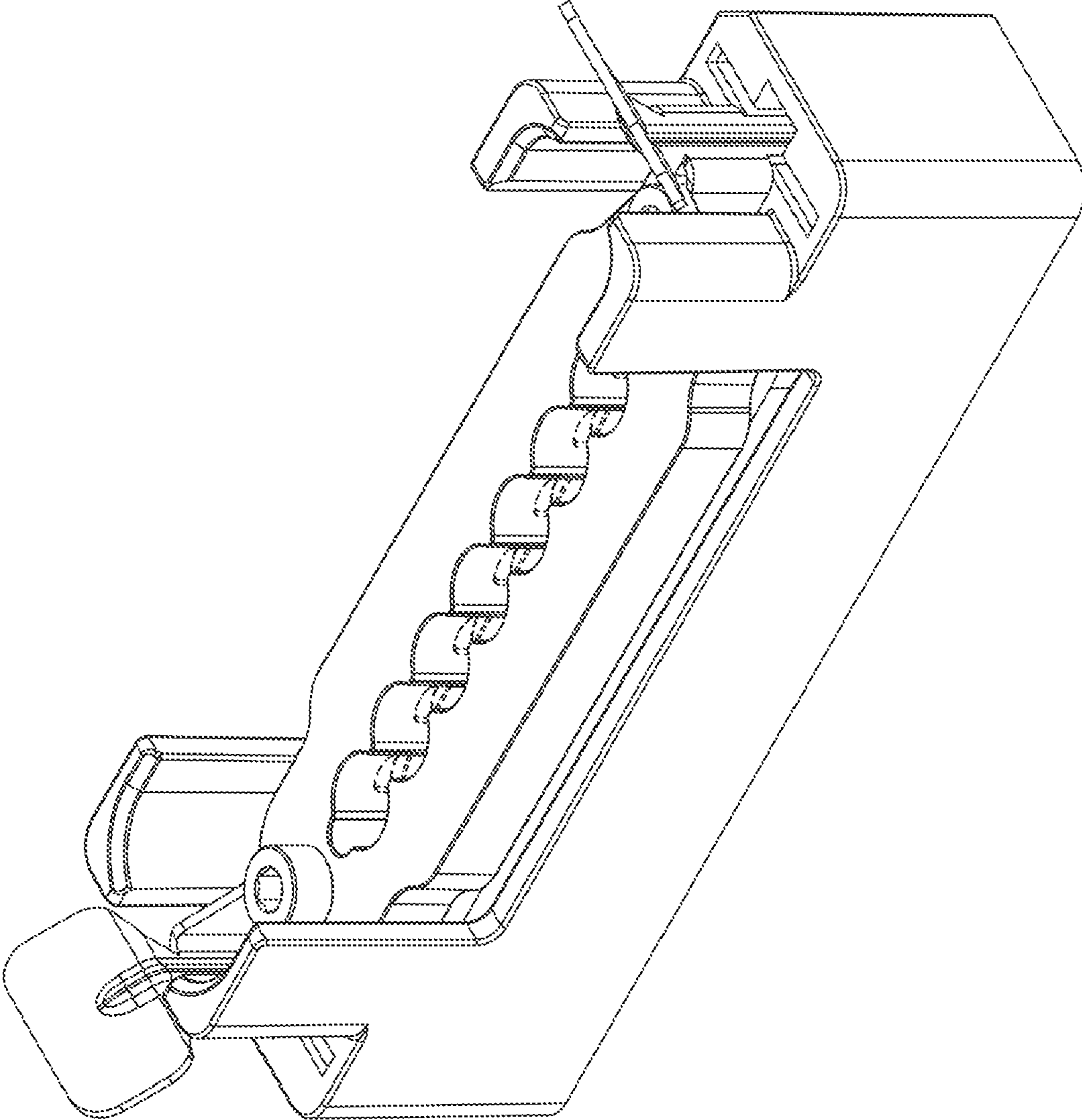


Fig. 1

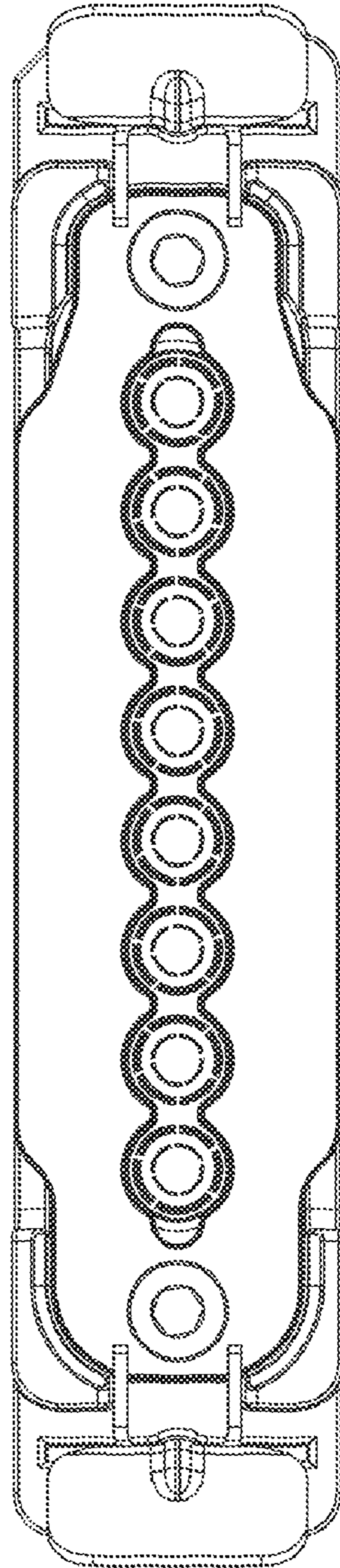


Fig. 2

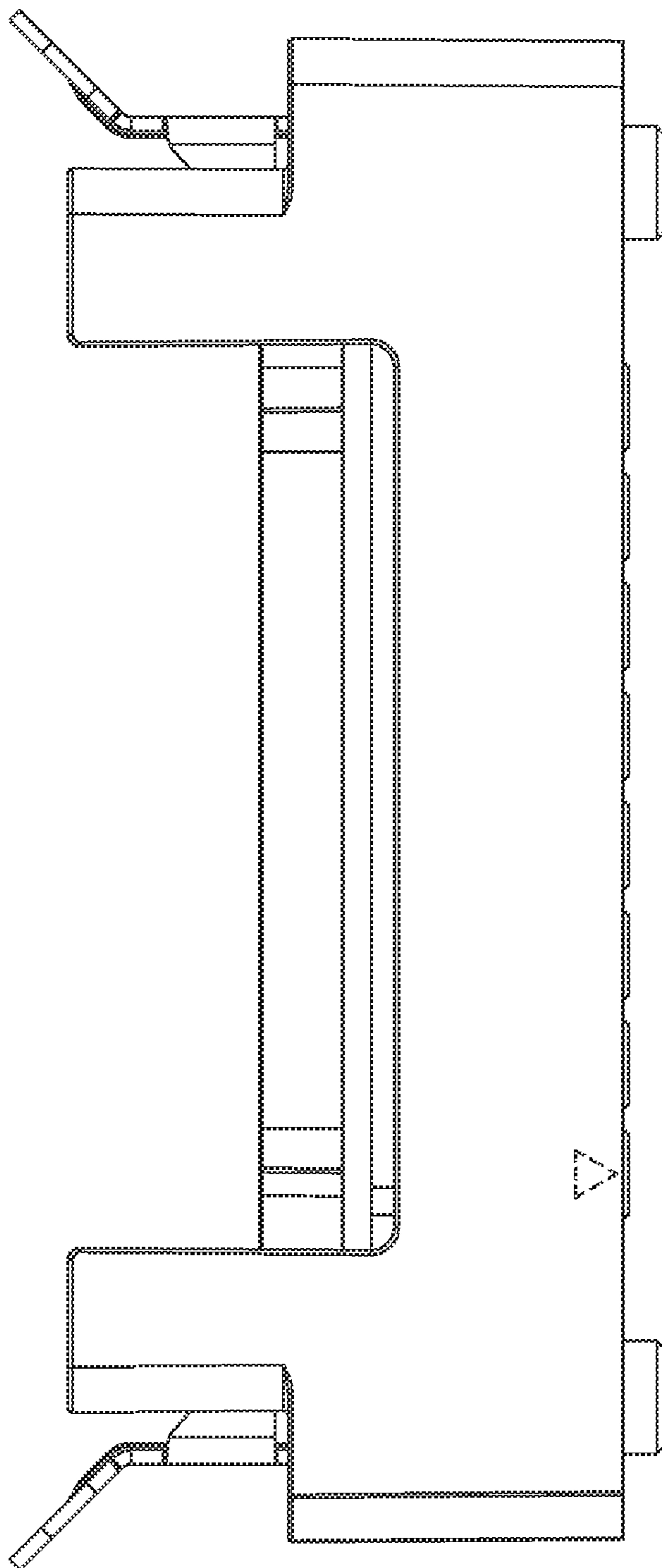


Fig. 3

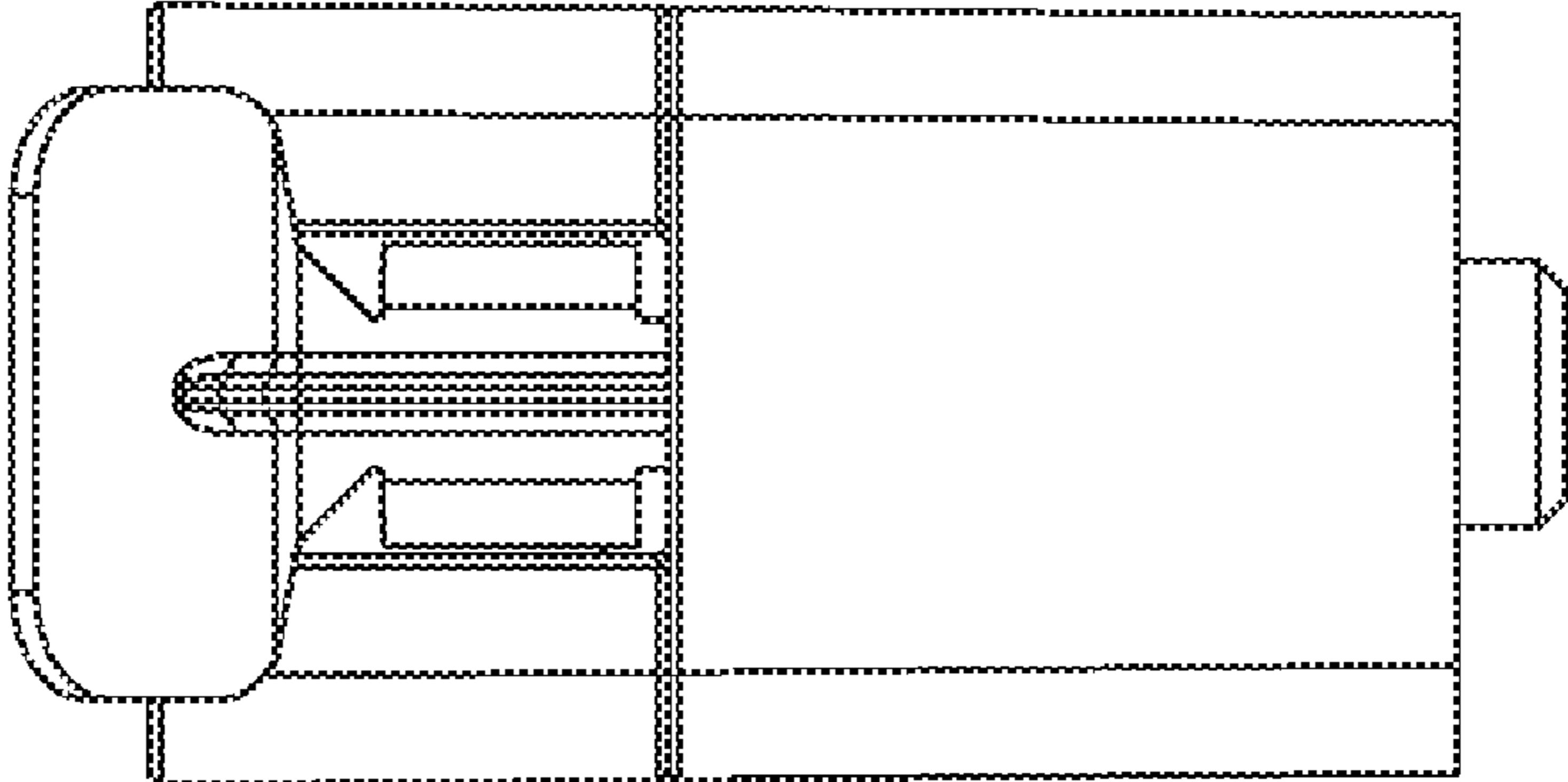


Fig. 4

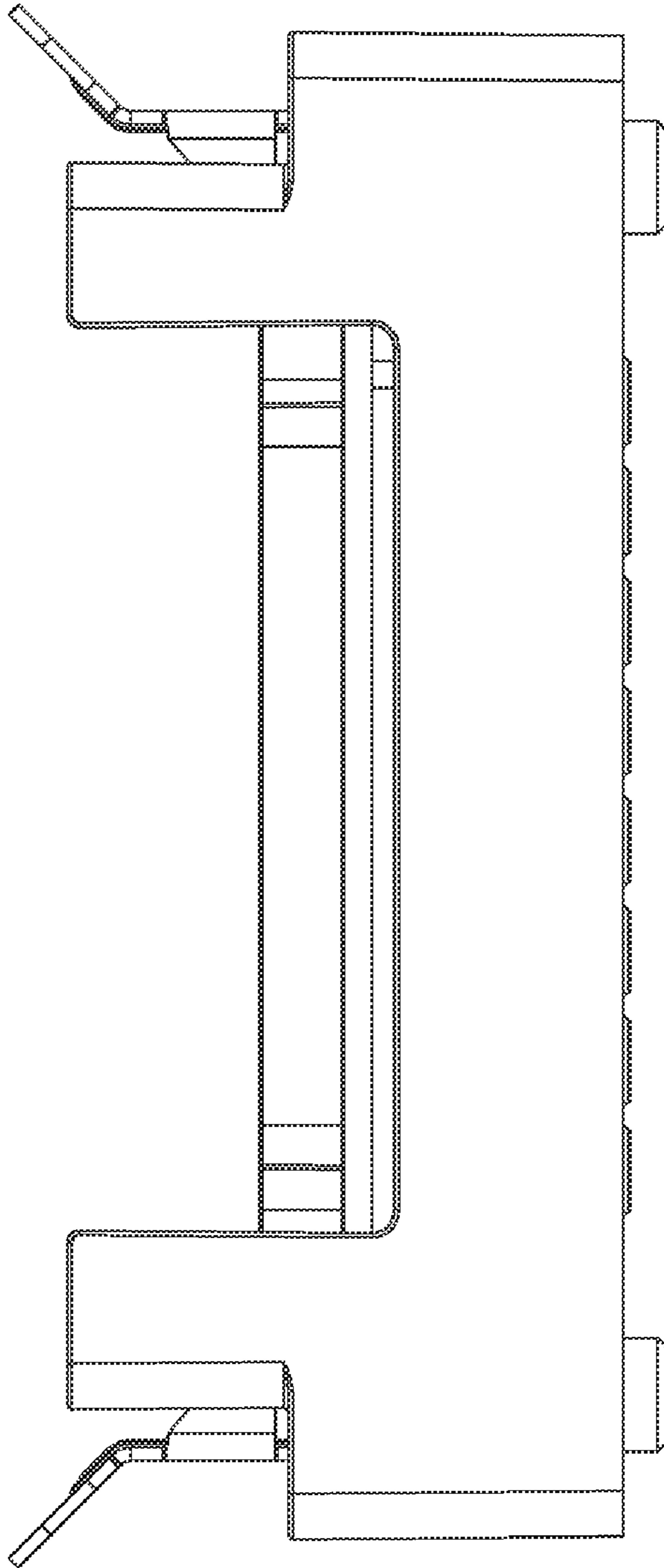


Fig. 5

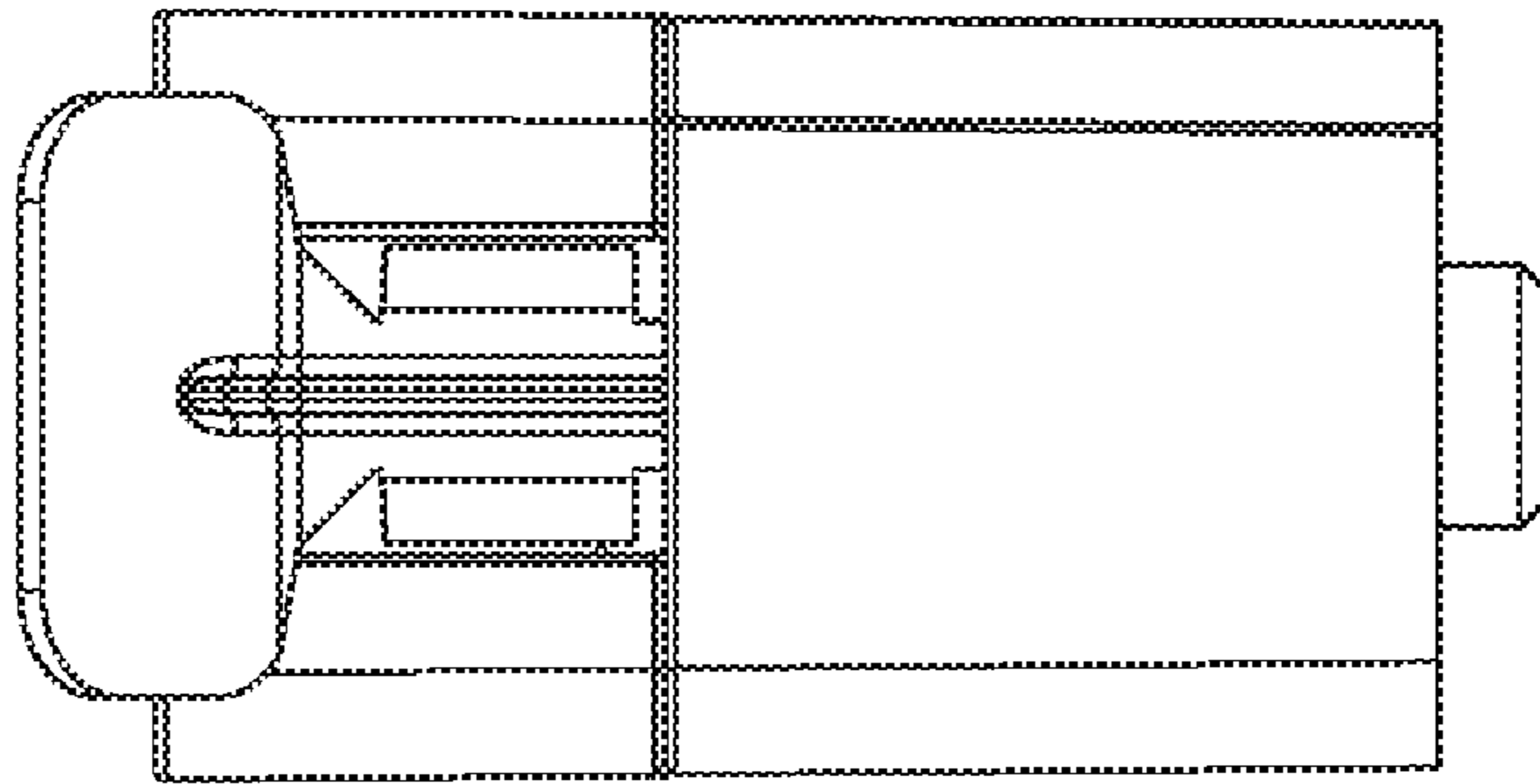


Fig. 6

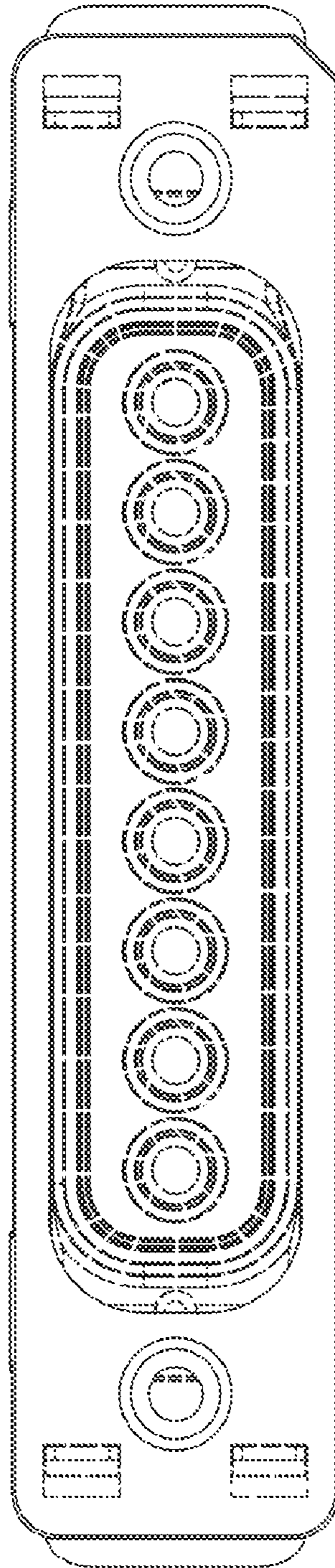


Fig. 7