



US00D635514S

(12) **United States Design Patent**  
**Doucet**

(10) **Patent No.:** **US D635,514 S**

(45) **Date of Patent:** **\*\* Apr. 5, 2011**

(54) **ELECTRICAL PLUG**

(75) Inventor: **Joe D. Doucet**, New York, NY (US)

(73) Assignee: **Joe Doucet Studio LP**, New York, NY (US)

(\*\*) Term: **14 Years**

(21) Appl. No.: **29/359,674**

(22) Filed: **Apr. 14, 2010**

(51) **LOC (9) Cl.** ..... **13-03**

(52) **U.S. Cl.** ..... **D13/138.2**

(58) **Field of Classification Search** ..... D13/138.1,  
D13/138.2, 139.1, 139.2, 139.3, 139.4, 139.5,  
D13/139.6, 139.7, 139.8, 137.1, 137.2, 137.3,  
D13/137.4, 133, 146, 147, 151, 152, 153,  
D13/154, 107, 108, 110, 162, 170; 363/15,  
363/34, 146; 439/93, 105, 119, 149, 225,  
439/521, 535, 583, 866, 919; D8/353; 174/493,  
174/494, 53, 59, 60, 66, 67; 320/111, 114,  
320/115

See application file for complete search history.

(56) **References Cited**

**U.S. PATENT DOCUMENTS**

D155,151 S *	9/1949	Gossard	.....	D13/138.1
D155,502 S *	10/1949	Gossard	.....	D13/138.1
D241,352 S *	9/1976	Acosta	.....	D13/138.2
D345,342 S *	3/1994	Fox	.....	D13/138.1
D375,080 S *	10/1996	Sandor et al.	.....	D13/138.2
D493,142 S *	7/2004	Siu	.....	D13/138.1

D494,138 S *	8/2004	Adams et al.	.....	D13/138.1
D495,996 S *	9/2004	Parel et al.	.....	D13/138.1
D585,378 S *	1/2009	Haber	.....	D13/138.2
D586,296 S *	2/2009	Liu	.....	D13/138.2
D592,139 S *	5/2009	Wu	.....	D13/138.2
D610,993 S *	3/2010	Fahrendorff et al.	.....	D13/138.1
D614,571 S *	4/2010	Wu	.....	D13/138.2

\* cited by examiner

*Primary Examiner* — Jennifer Rivard

*Assistant Examiner* — Angela Lee

(74) *Attorney, Agent, or Firm* — Thompson Coburn LLP

(57) **CLAIM**

The ornamental design for the electrical plug, as shown and described.

**DESCRIPTION**

FIG. 1 is a perspective view of an electrical plug showing my new design;

FIG. 2 is an alternate perspective view of the electrical plug of FIG. 1;

FIG. 3 is a front view of the electrical plug of FIG. 1;

FIG. 4 is a right side view of the electrical plug of FIG. 1;

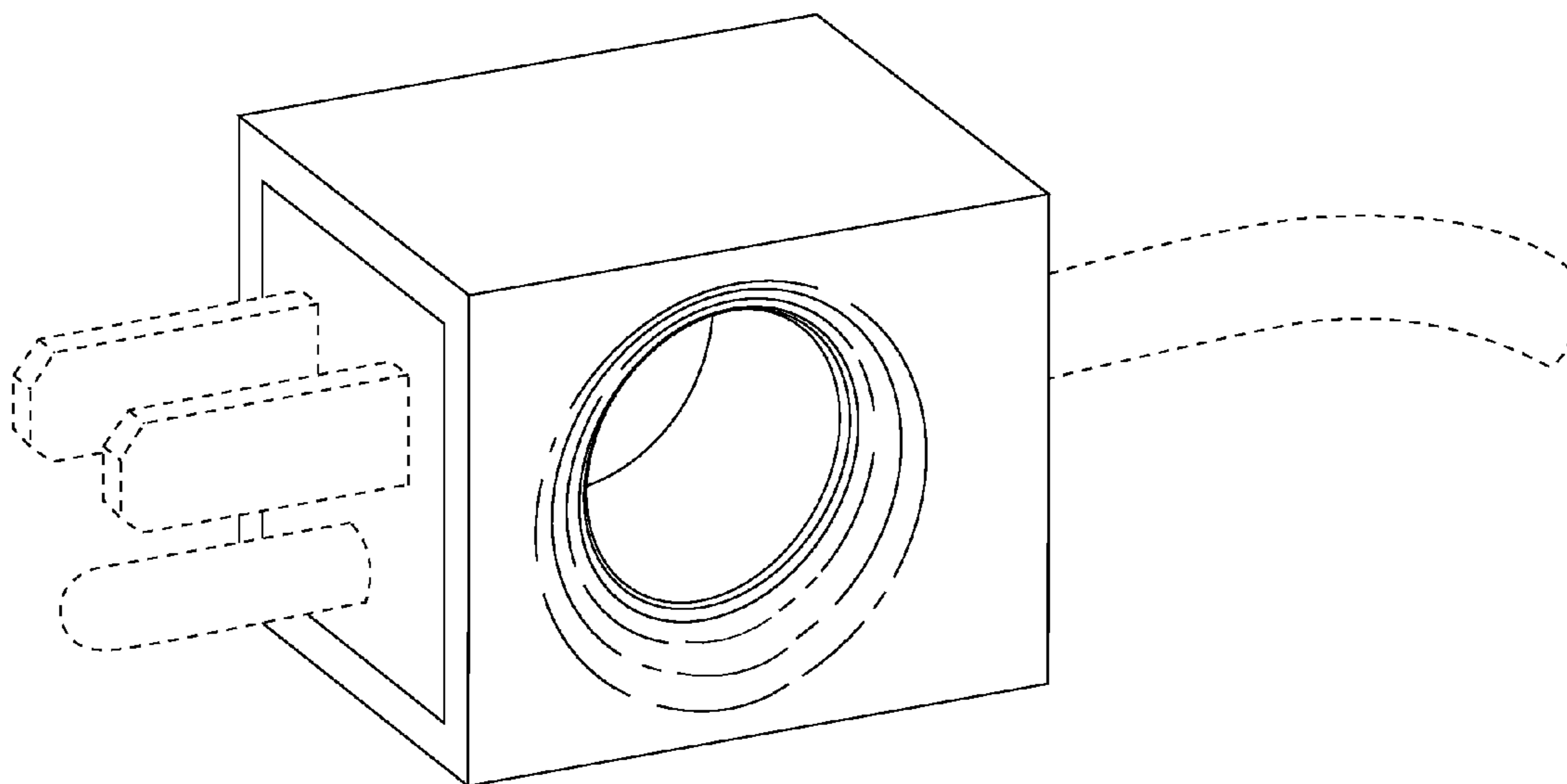
FIG. 5 is a left side view of the electrical plug of FIG. 1;

FIG. 6 is top view of the electrical plug of FIG. 1 (the bottom view being the same as the view of FIG. 6); and,

FIG. 7 is a rear view of the electrical plug of FIG. 1.

In the drawings, a cord and plug prongs of the electrical plug are shown in dashed lines and do not form part of the claimed design.

**1 Claim, 7 Drawing Sheets**



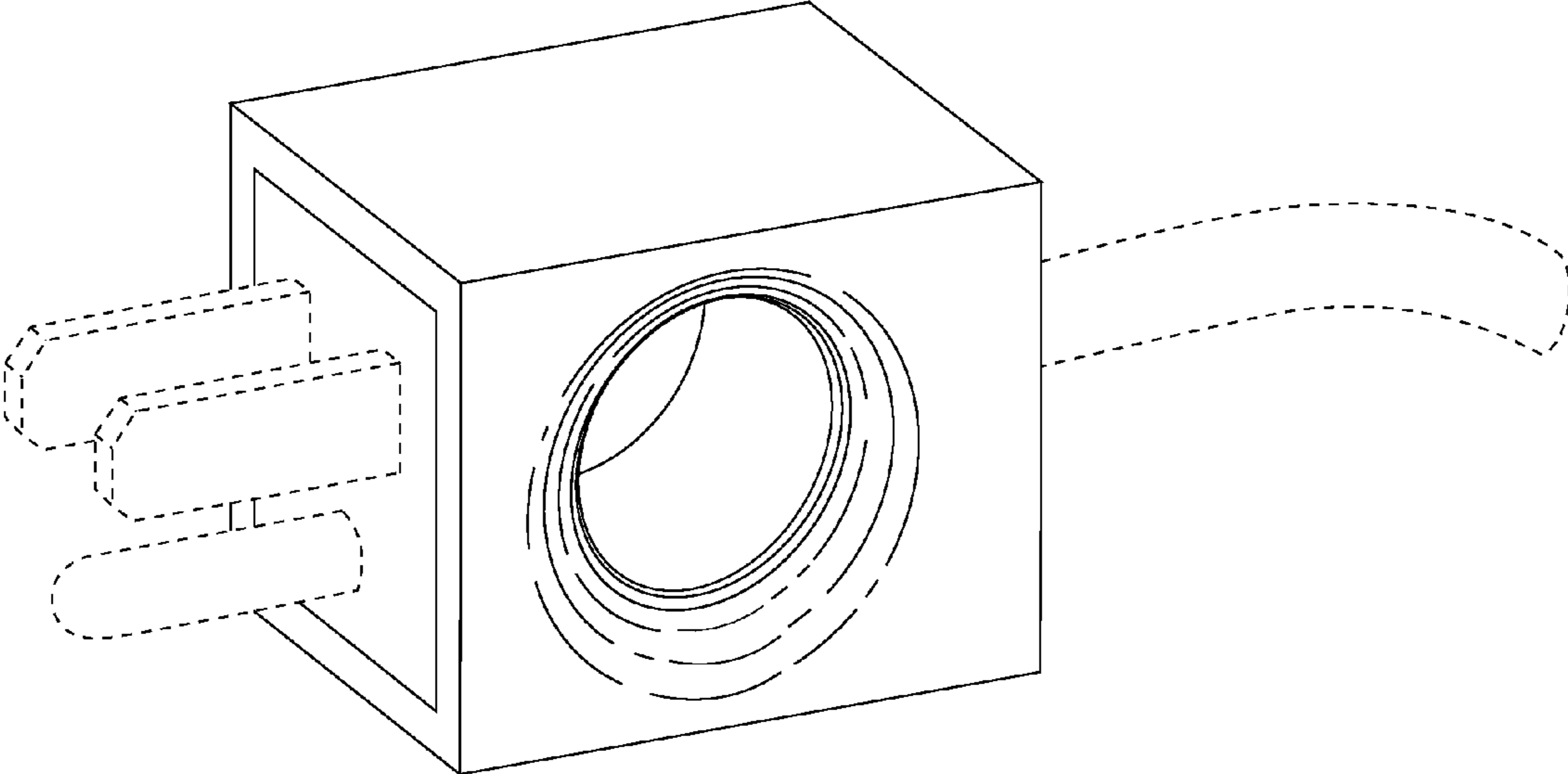


FIG. 1

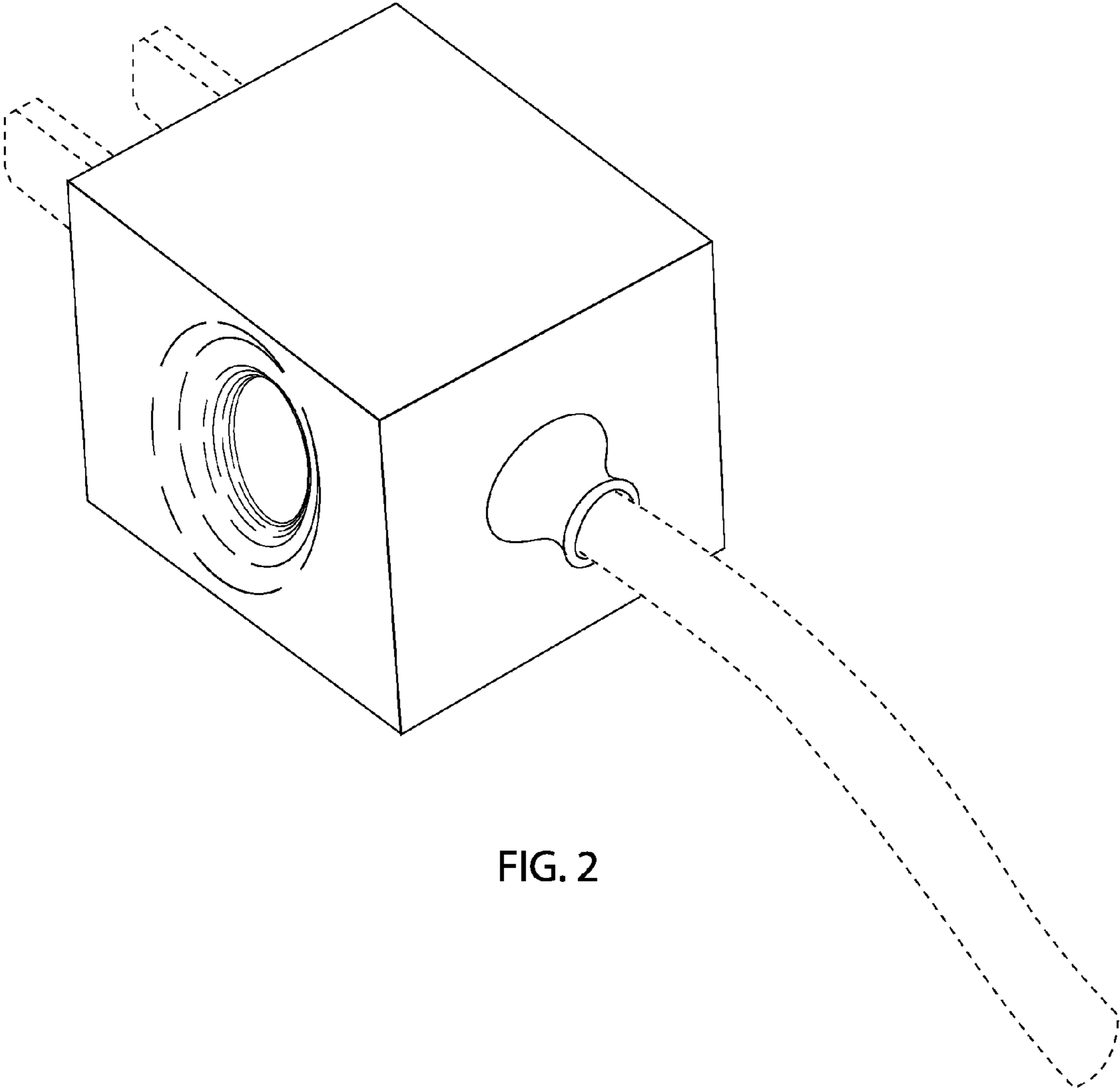
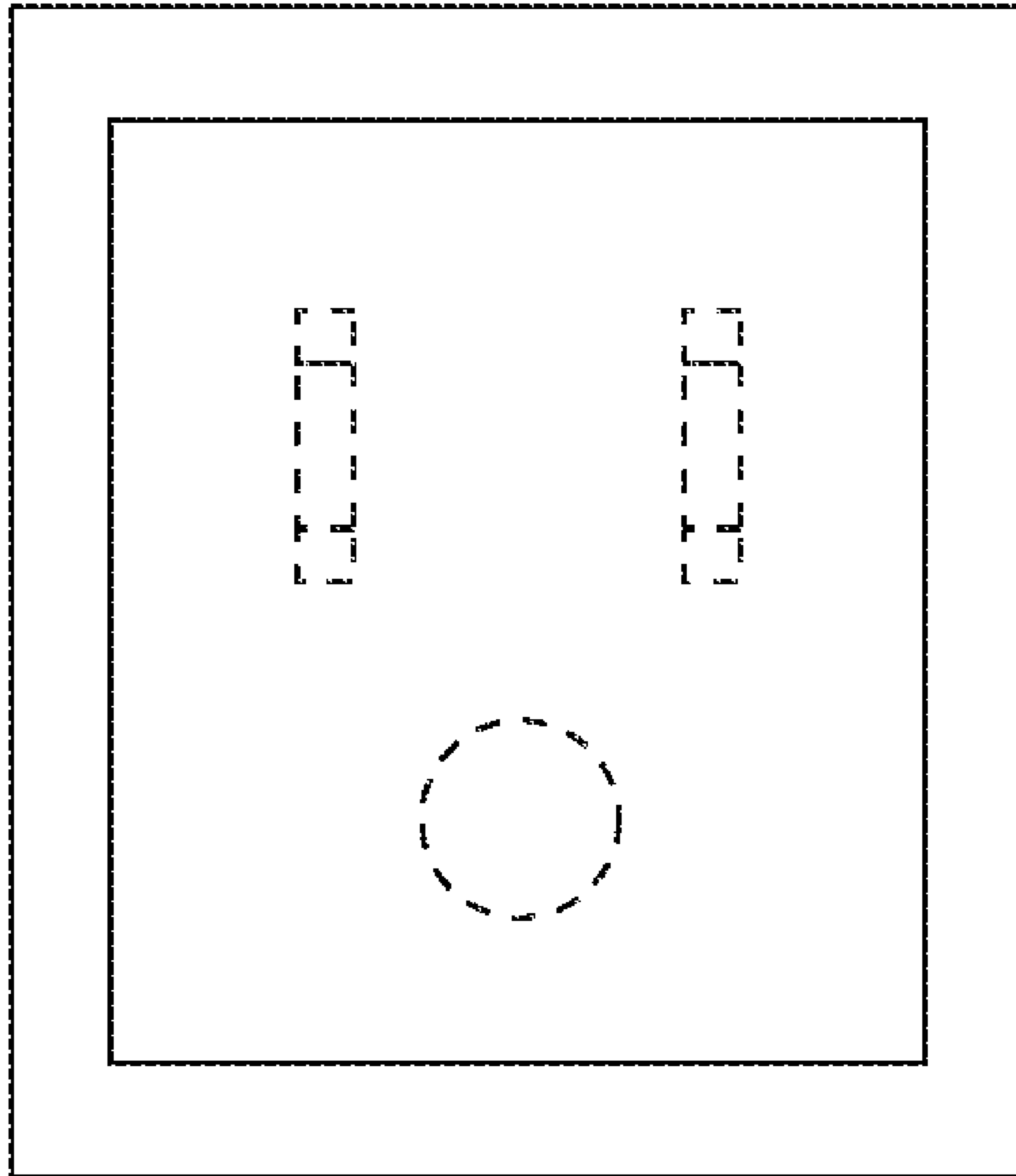


FIG. 2



**FIG. 3**

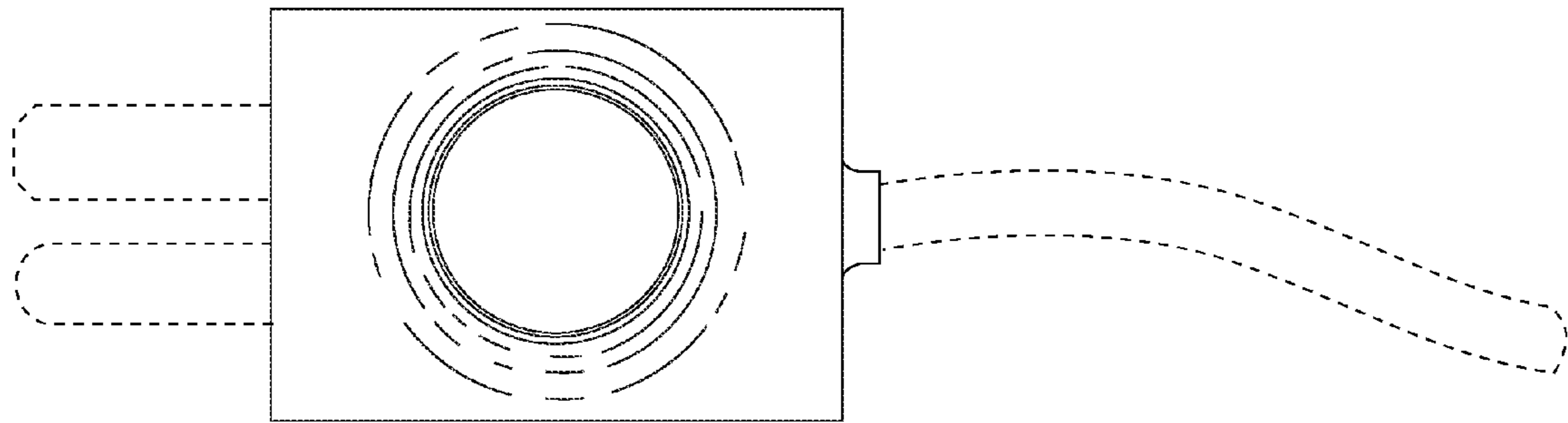


FIG. 4

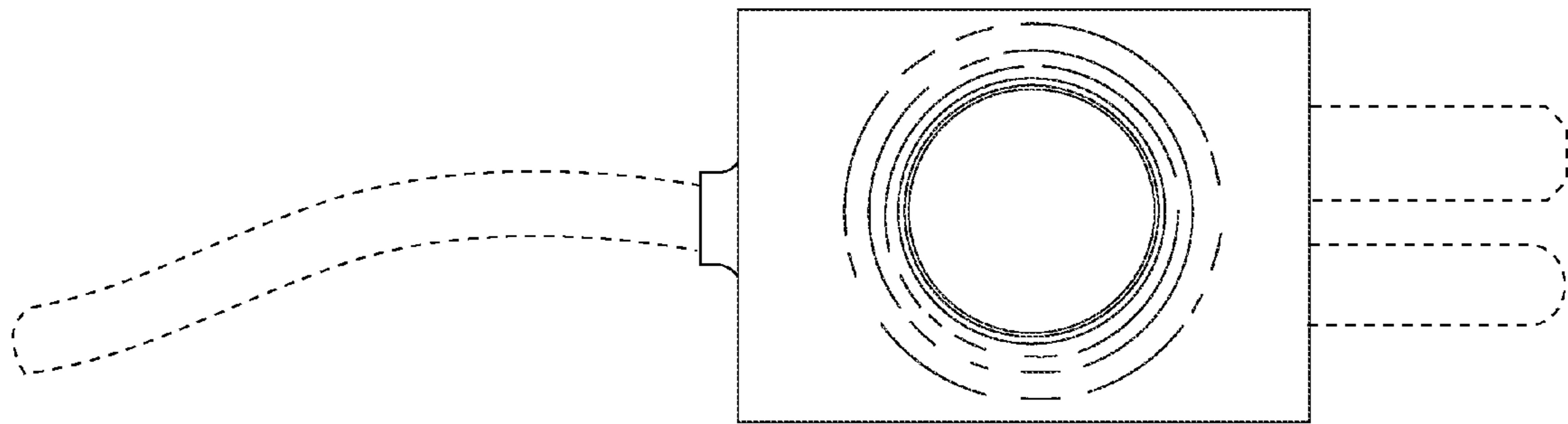


FIG. 5

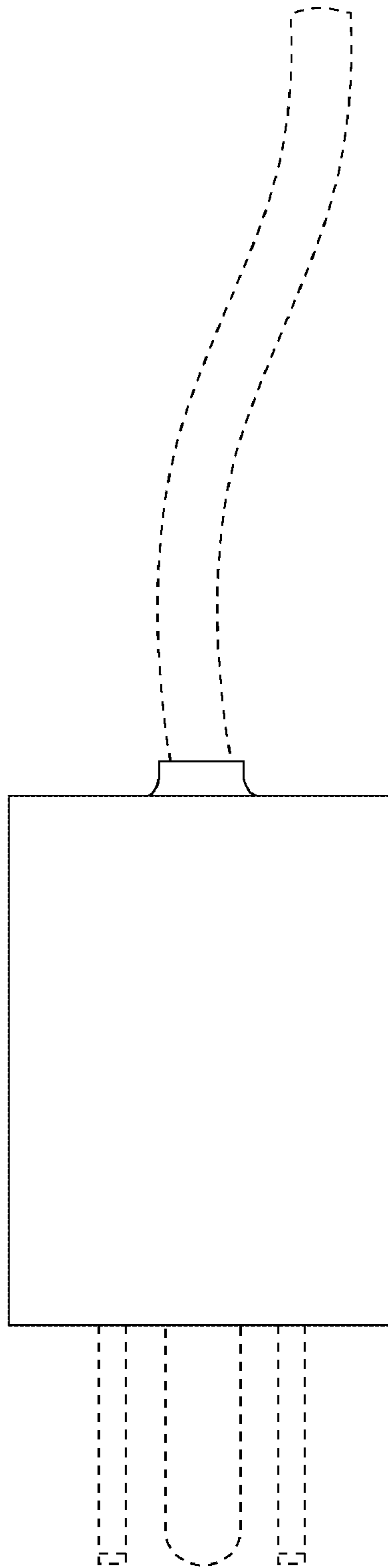
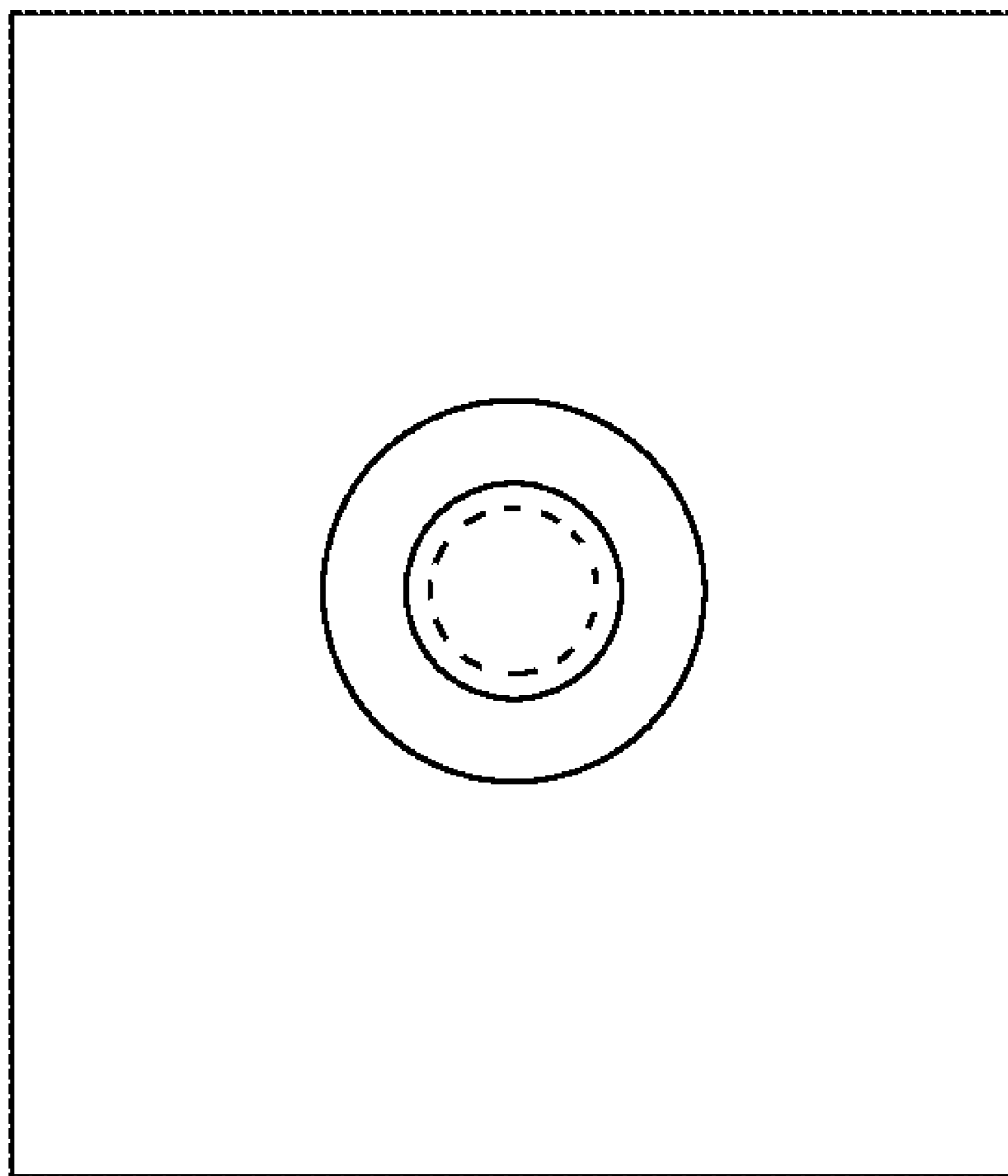


FIG. 6



**FIG. 7**