



US00D635513S

(12) **United States Design Patent**  
**Crawford**

(10) **Patent No.:** **US D635,513 S**

(45) **Date of Patent:** **\*\* Apr. 5, 2011**

(54) **SINGLE CIRCUIT, MANUAL GENERATOR  
TRANSFER SWITCH**

7,015,404 B2 \* 3/2006 Sodemann et al. .... 200/51.11  
D546,761 S \* 7/2007 Schnackenberg ..... D13/122  
D572,192 S \* 7/2008 Zhu ..... D13/122

\* cited by examiner

(76) Inventor: **W. Kevin Crawford**, Lee, NH (US)

(\*\*) Term: **14 Years**

*Primary Examiner* — Prabhakar Deshmukh

*Assistant Examiner* — Derrick Holland

(21) Appl. No.: **29/361,816**

(74) *Attorney, Agent, or Firm* — QuickPatents, Inc.; Kevin Prince

(22) Filed: **May 14, 2010**

(57) **CLAIM**

What is claimed is the ornamental design for a single circuit, manual generator transfer switch, as shown and described.

(51) **LOC (9) Cl.** ..... **13-01**

(52) **U.S. Cl.** ..... **D13/122**

**DESCRIPTION**

(58) **Field of Classification Search** ..... D13/122,  
D13/101, 110, 114, 118, 123, 137.3, 158,  
D13/162, 184; 307/150, 153; 337/187, 189;  
340/656; 362/95; 200/51 R, 51.11, 51.12  
See application file for complete search history.

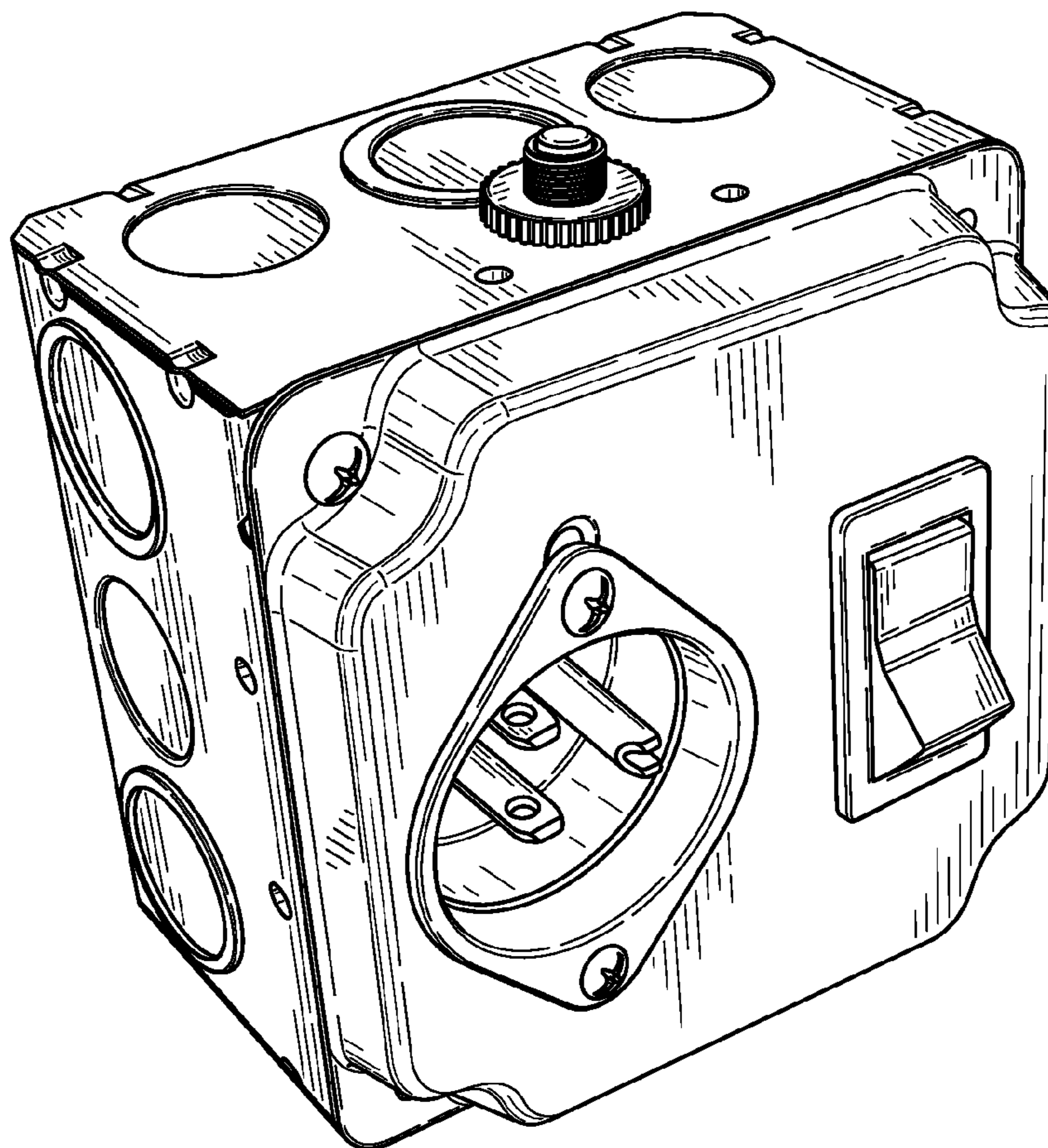
FIG. 1 is a perspective view of a single circuit, manual generator transfer switch, showing the new design; FIG. 2 is a front elevational view thereof; FIG. 3 is a rear elevational view thereof; FIG. 4 is a right-side elevational view thereof; FIG. 5 is a left-side elevational view thereof; FIG. 6 is a top plan view thereof; and, FIG. 7 is a bottom plan view thereof. The broken lines in FIG. 3 depict environmental matter, and form no part of the claimed design.

(56) **References Cited**

**U.S. PATENT DOCUMENTS**

D210,731 S \* 4/1968 Siegel ..... D13/110  
4,956,745 A \* 9/1990 Burgher et al. .... 361/690  
D429,688 S \* 8/2000 Russo ..... D13/123

**1 Claim, 4 Drawing Sheets**



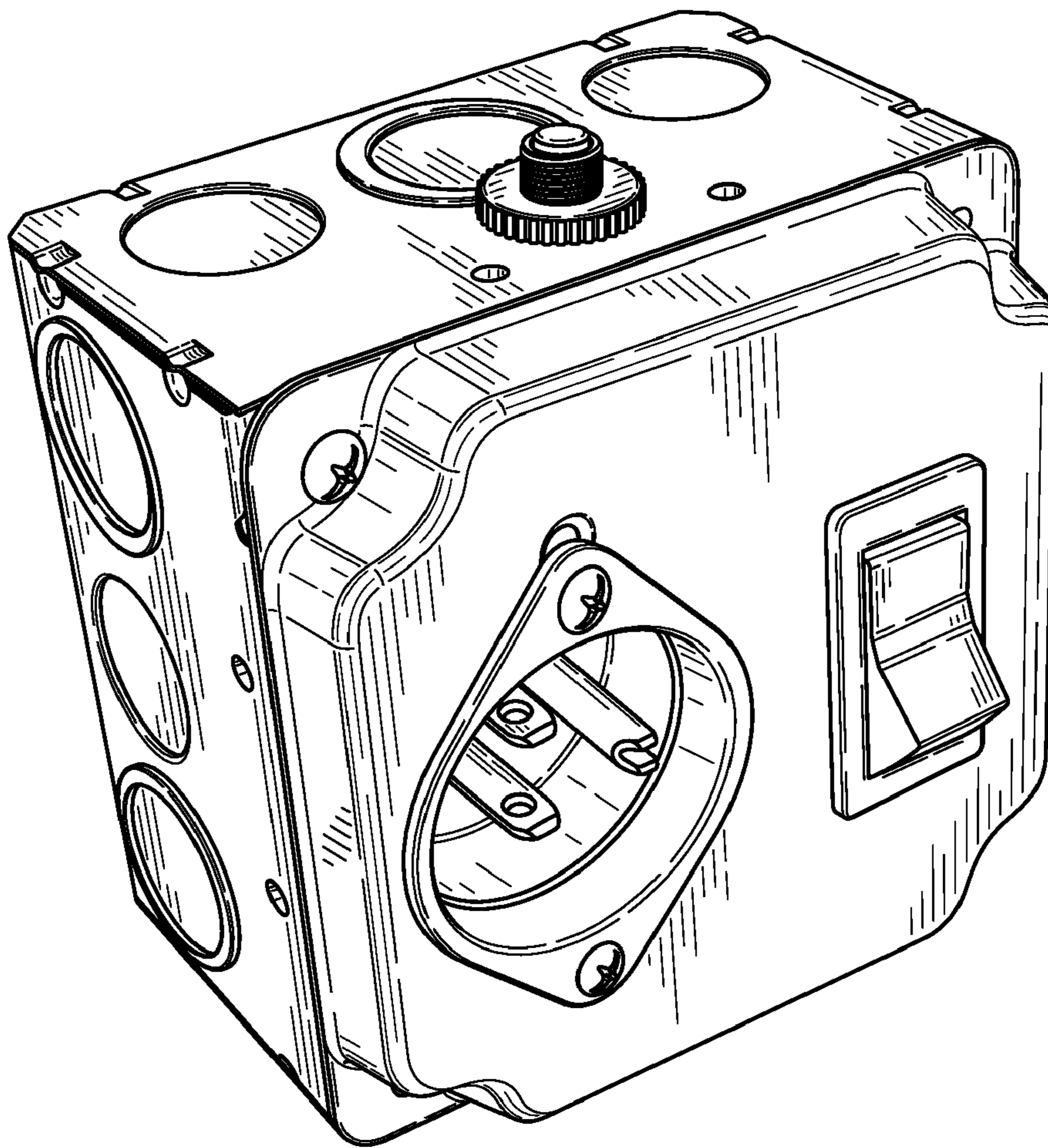


FIG. 1

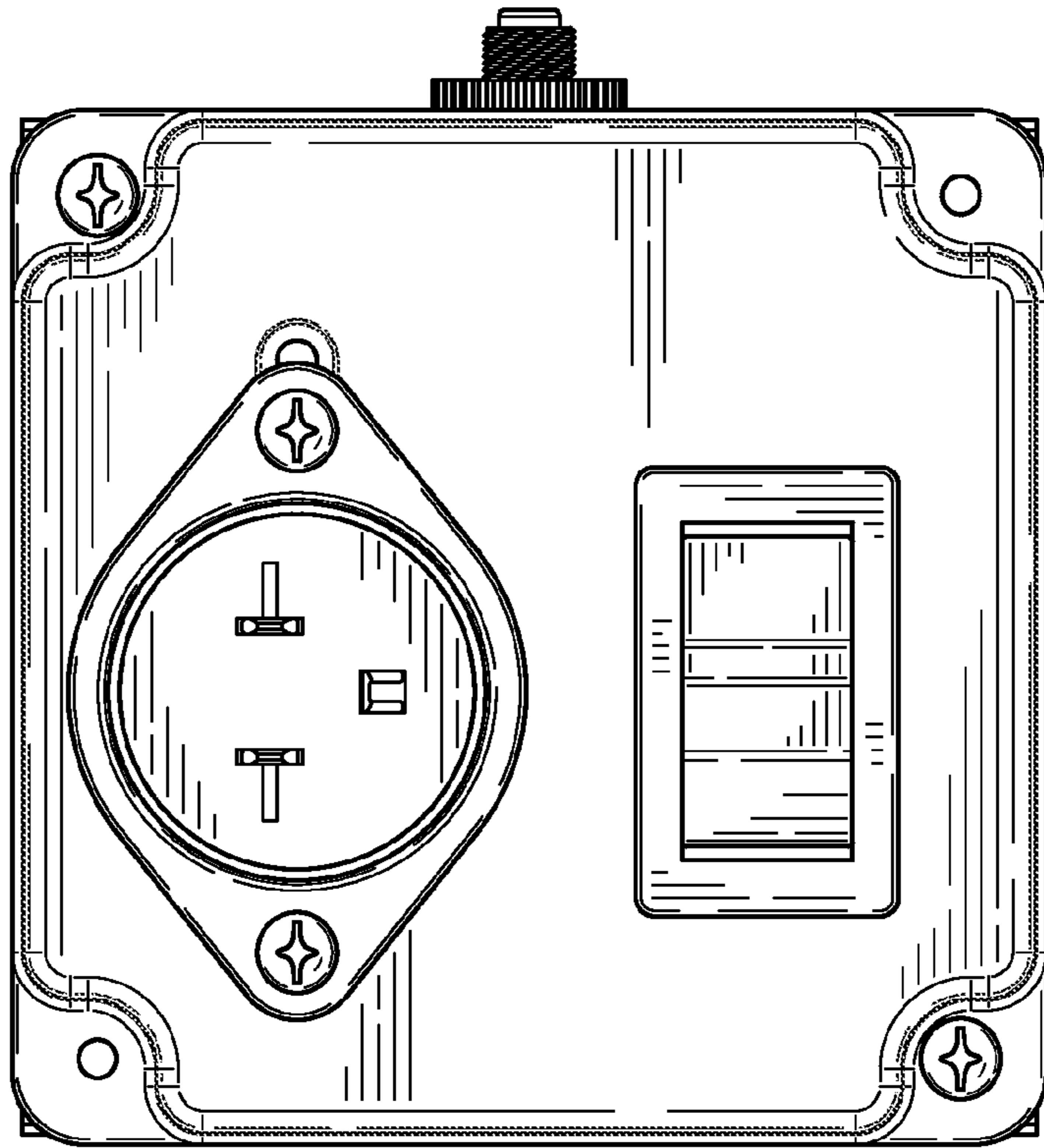


FIG. 2

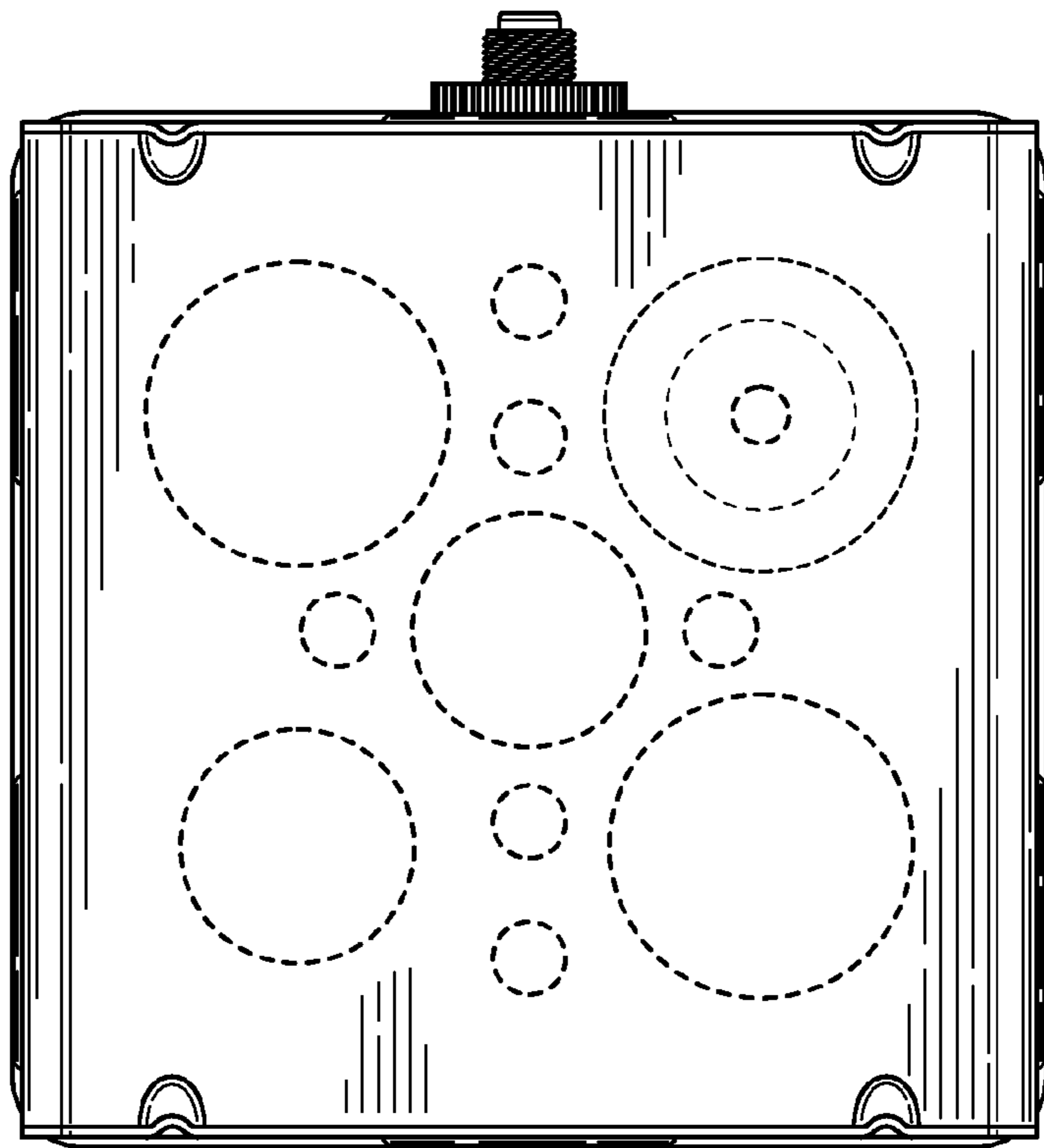


FIG. 3

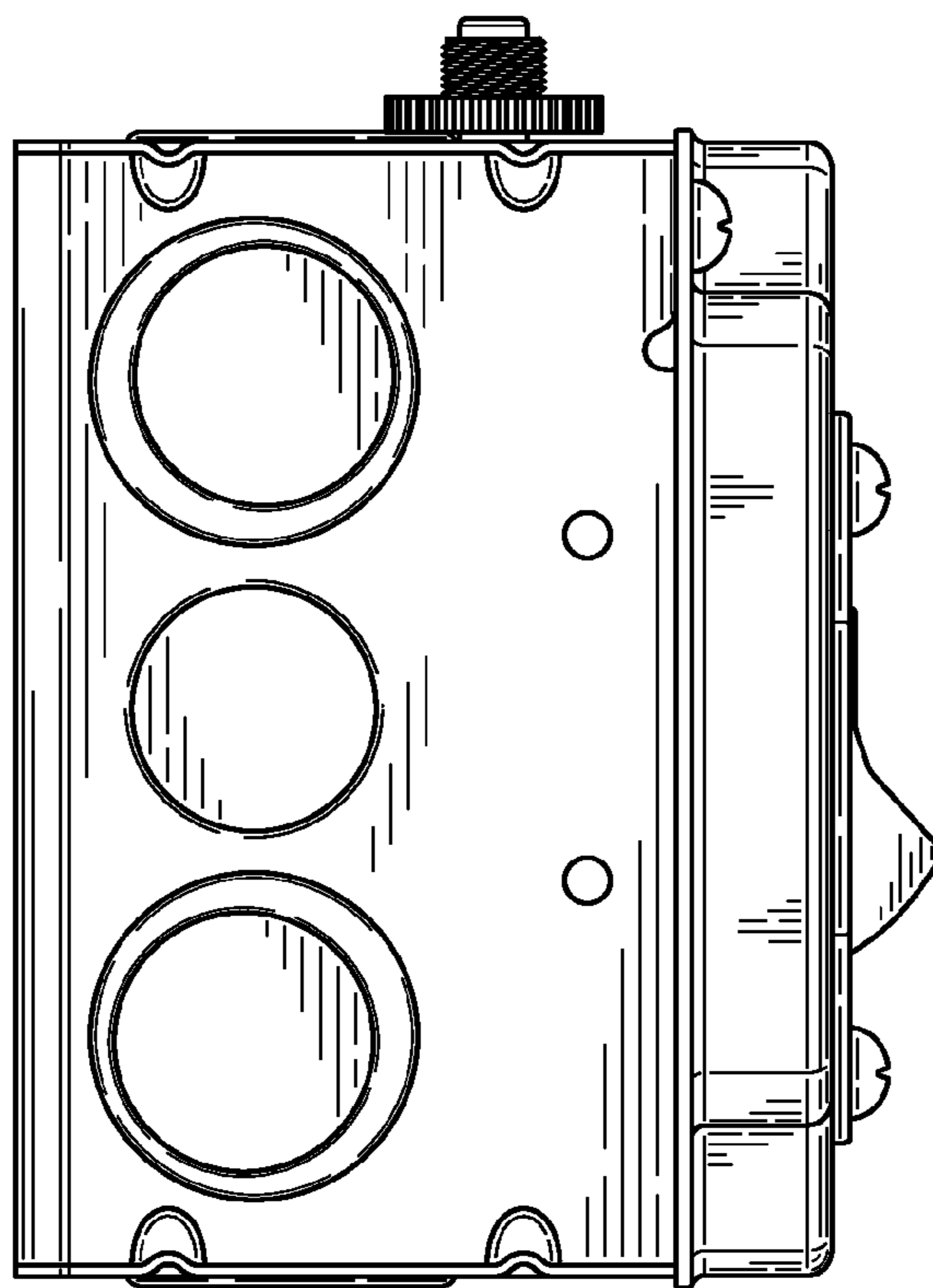


FIG. 4

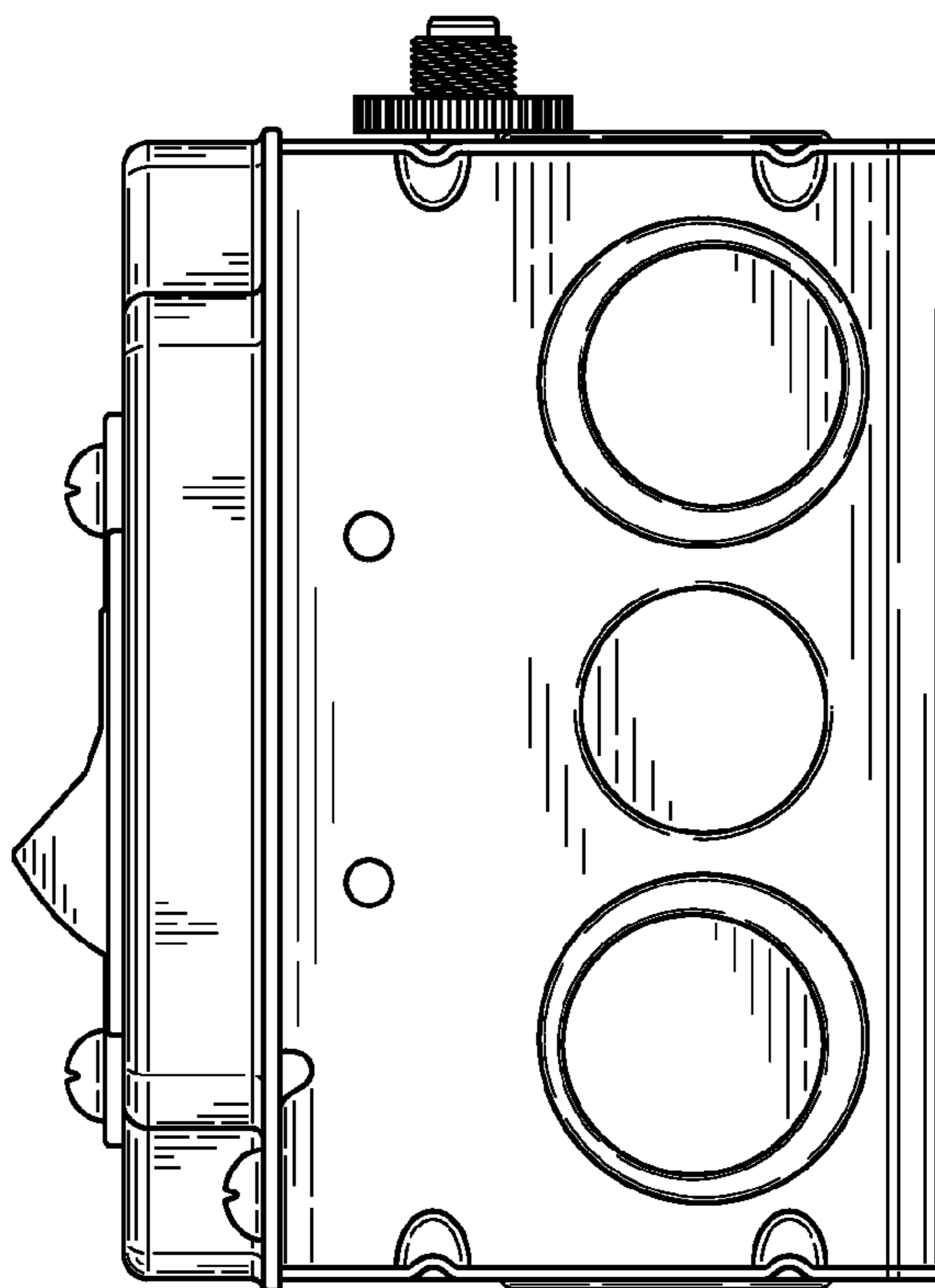


FIG. 5

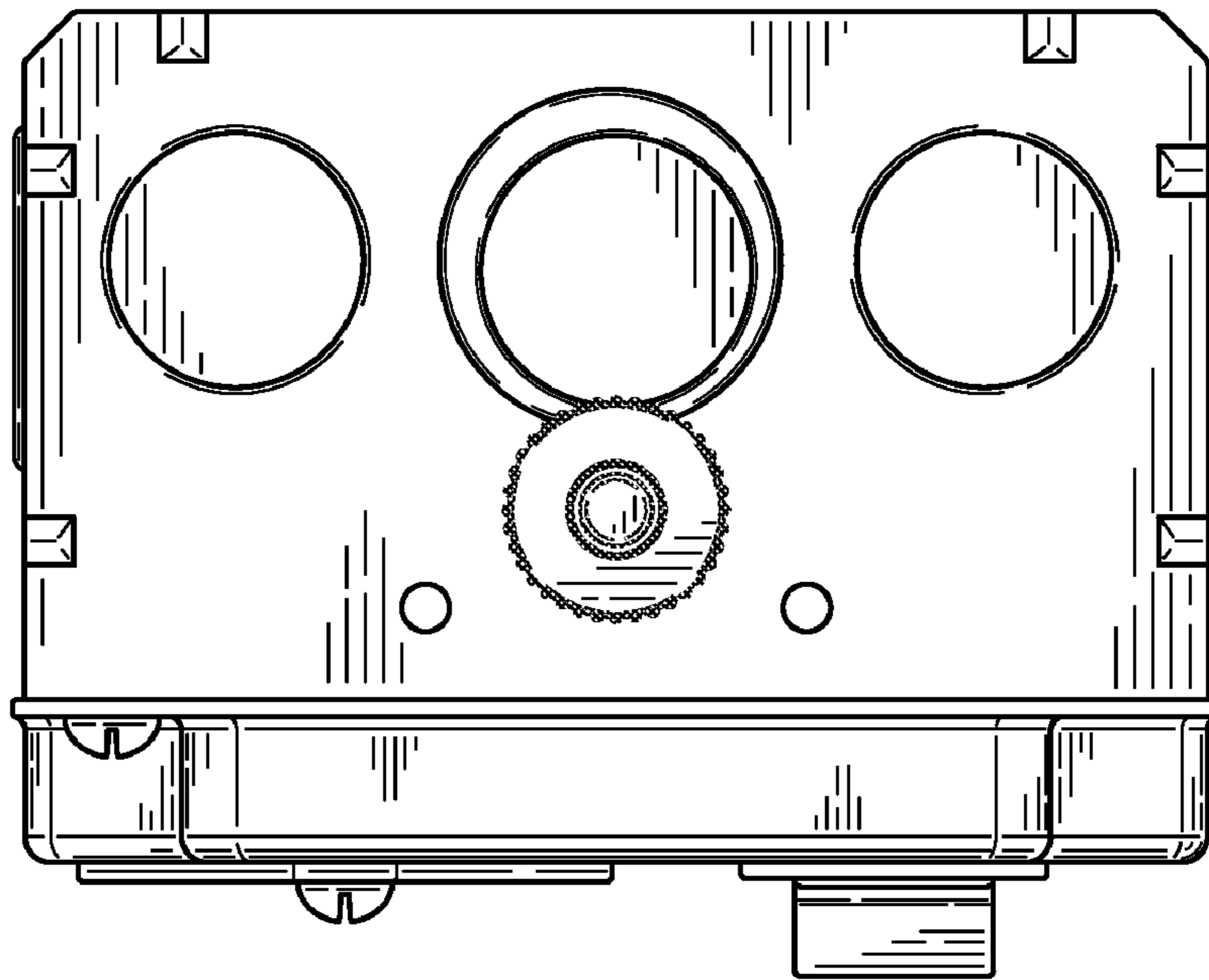


FIG. 6

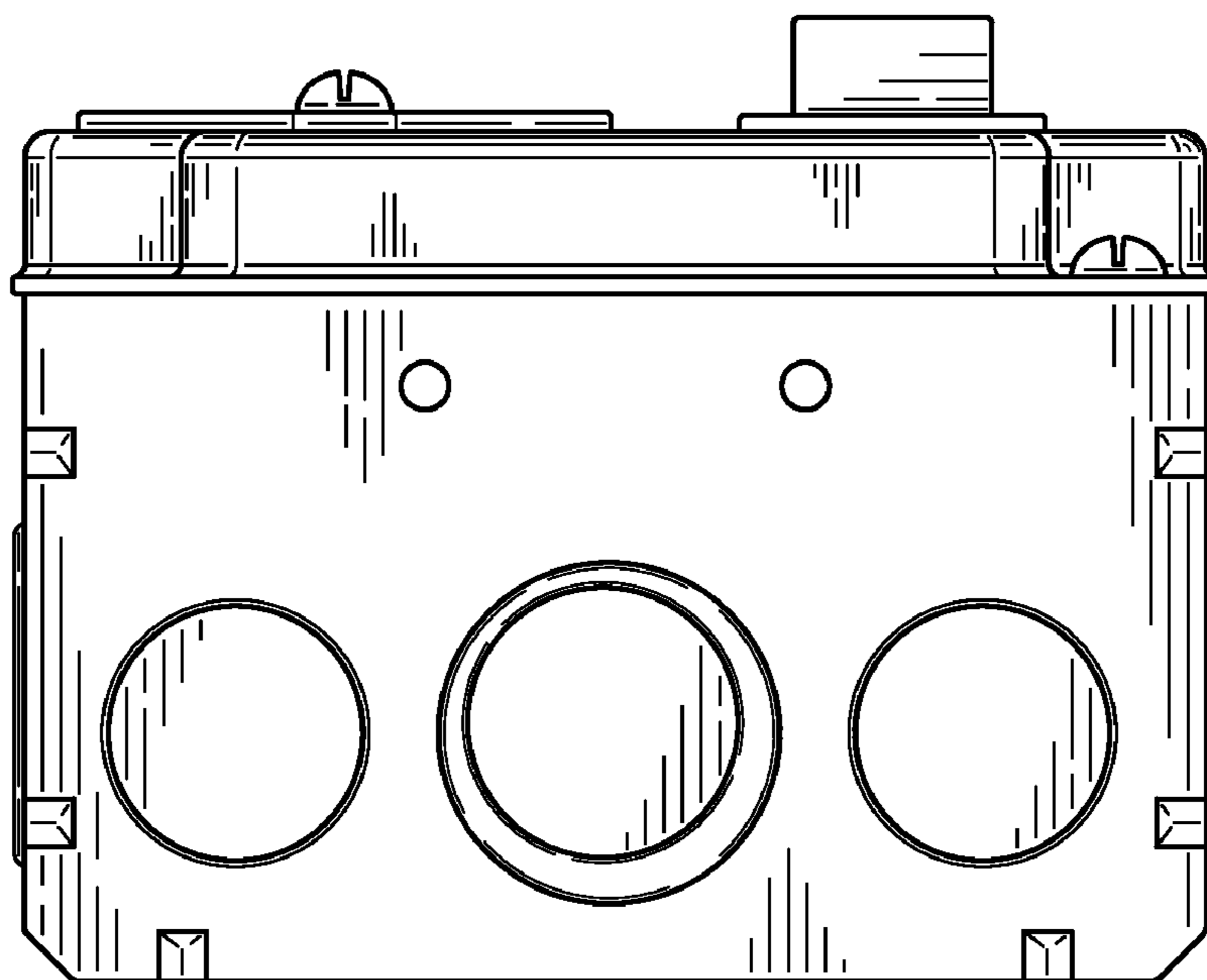


FIG. 7