



US00D635510S

(12) **United States Design Patent**
Inskeep

(10) **Patent No.:** **US D635,510 S**

(45) **Date of Patent:** **** Apr. 5, 2011**

(54) **AUTOMOBILE JUMP STARTER**

(76) Inventor: **Mathew Inskeep**, Boca Raton, FL (US)

(**) Term: **14 Years**

(21) Appl. No.: **29/372,160**

(22) Filed: **Oct. 25, 2010**

(51) **LOC (9) Cl.** **13-02**

(52) **U.S. Cl.** **D13/107**

(58) **Field of Classification Search** D13/106-110,
D13/118, 184, 199; D15/9; 320/103-105,
320/107-115

See application file for complete search history.

D545,270 S *	6/2007	Dayan	D13/107
D549,644 S *	8/2007	Hulden	D13/107
D594,406 S *	6/2009	Ellsworth	D13/107
D595,222 S *	6/2009	Ellsworth	D13/107
D601,495 S *	10/2009	Shum et al.	D13/107
D601,496 S *	10/2009	Shum et al.	D13/107
D609,633 S *	2/2010	Daniels et al.	D13/107
D609,635 S *	2/2010	Daniels et al.	D13/107
D620,881 S *	8/2010	Daniels et al.	D13/107

* cited by examiner

Primary Examiner — Rosemary K Tarca

(57) **CLAIM**

The ornamental design for an automobile jump starter, as shown and described.

DESCRIPTION

FIG. 1 is a front perspective view of the automobile jump starter showing my new design.

FIG. 2 is a front upright view thereof.

FIG. 3 is a back upright view thereof.

FIG. 4 is a top view thereof.

FIG. 5 is a bottom view thereof.

FIG. 6 is a right side view thereof; and,

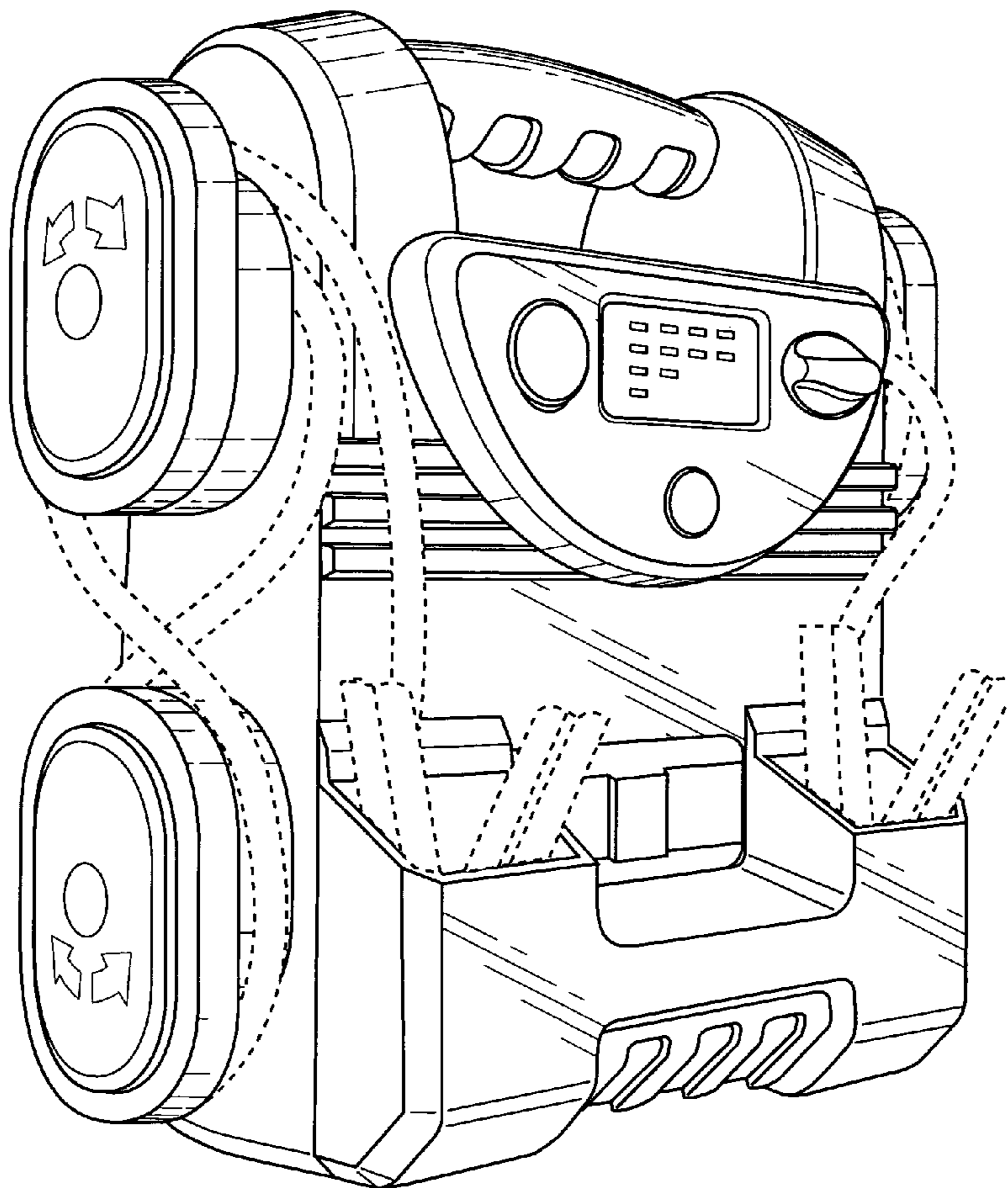
FIG. 7 is a left side view thereof.

1 Claim, 7 Drawing Sheets

(56) **References Cited**

U.S. PATENT DOCUMENTS

D464,619 S *	10/2002	Krieger et al.	D13/110
D466,077 S *	11/2002	Wang	D13/110
D479,194 S *	9/2003	Casarella	D13/107
D484,852 S *	1/2004	James et al.	D13/107
D495,993 S *	9/2004	Krieger et al.	D13/107
D503,378 S *	3/2005	Hussaini et al.	D13/107
D504,870 S *	5/2005	Krieger et al.	D13/107
D530,664 S *	10/2006	Wingter et al.	D13/107
D545,269 S *	6/2007	Dayan	D13/107



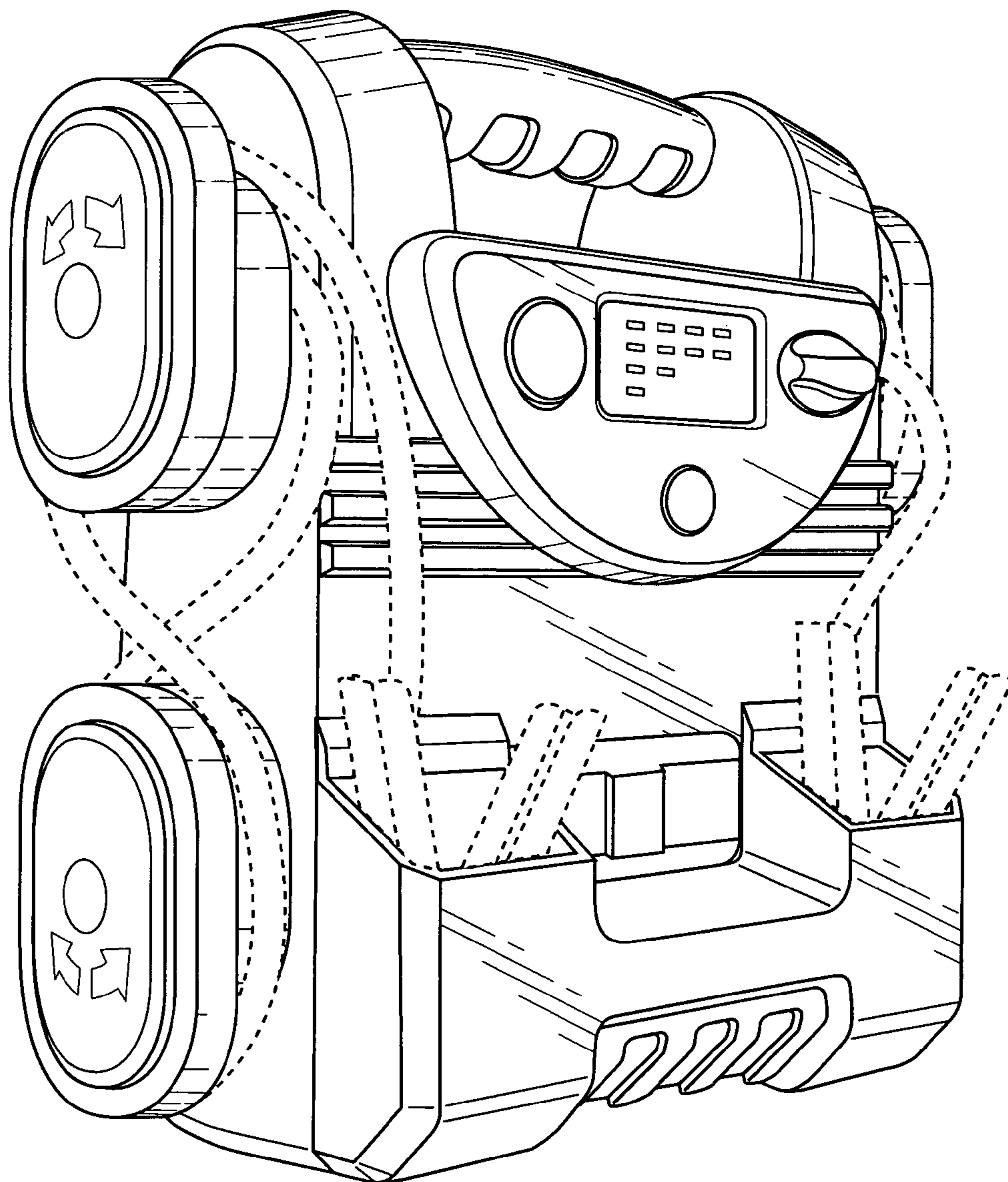


Fig. 1

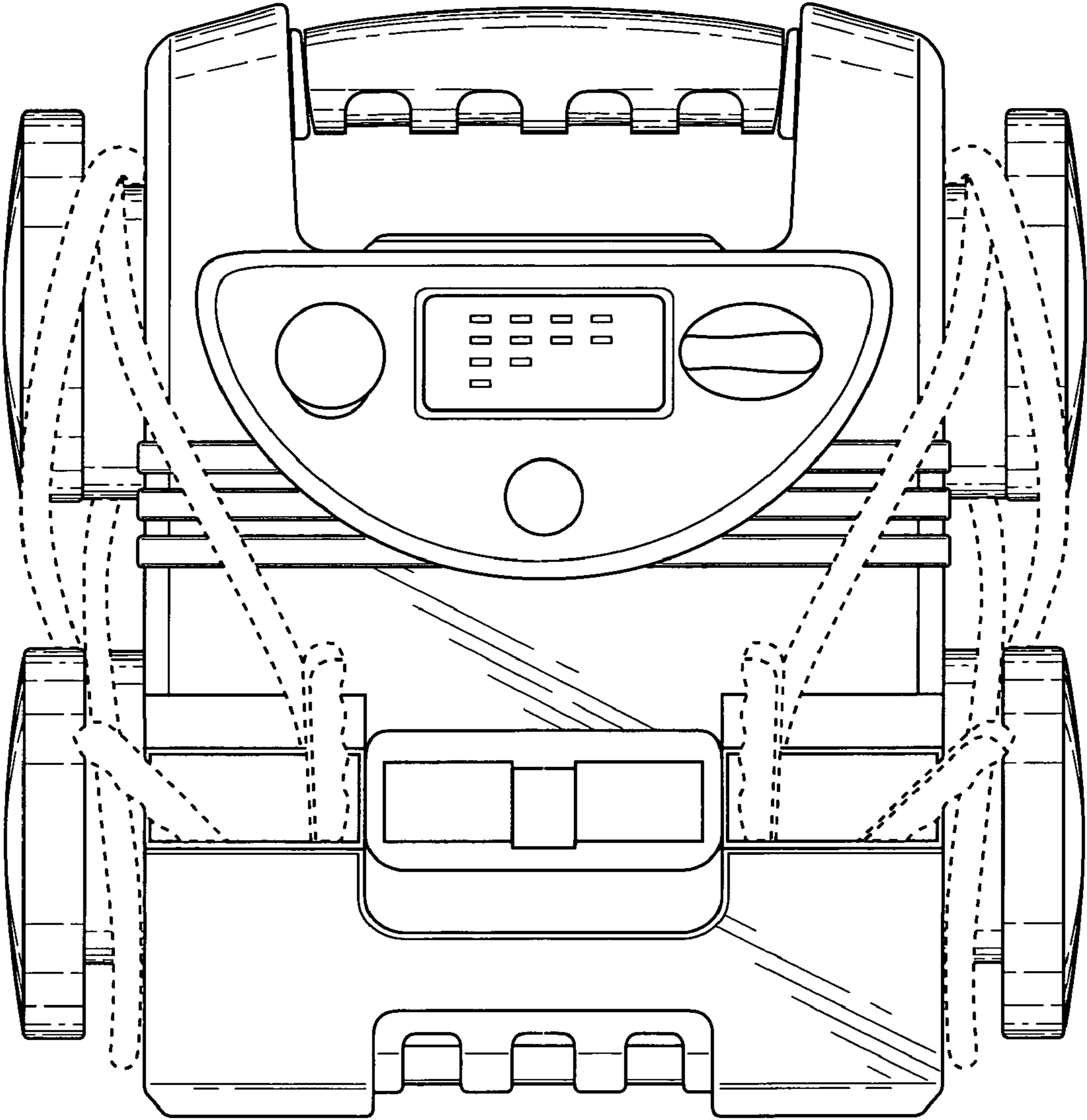


Fig. 2

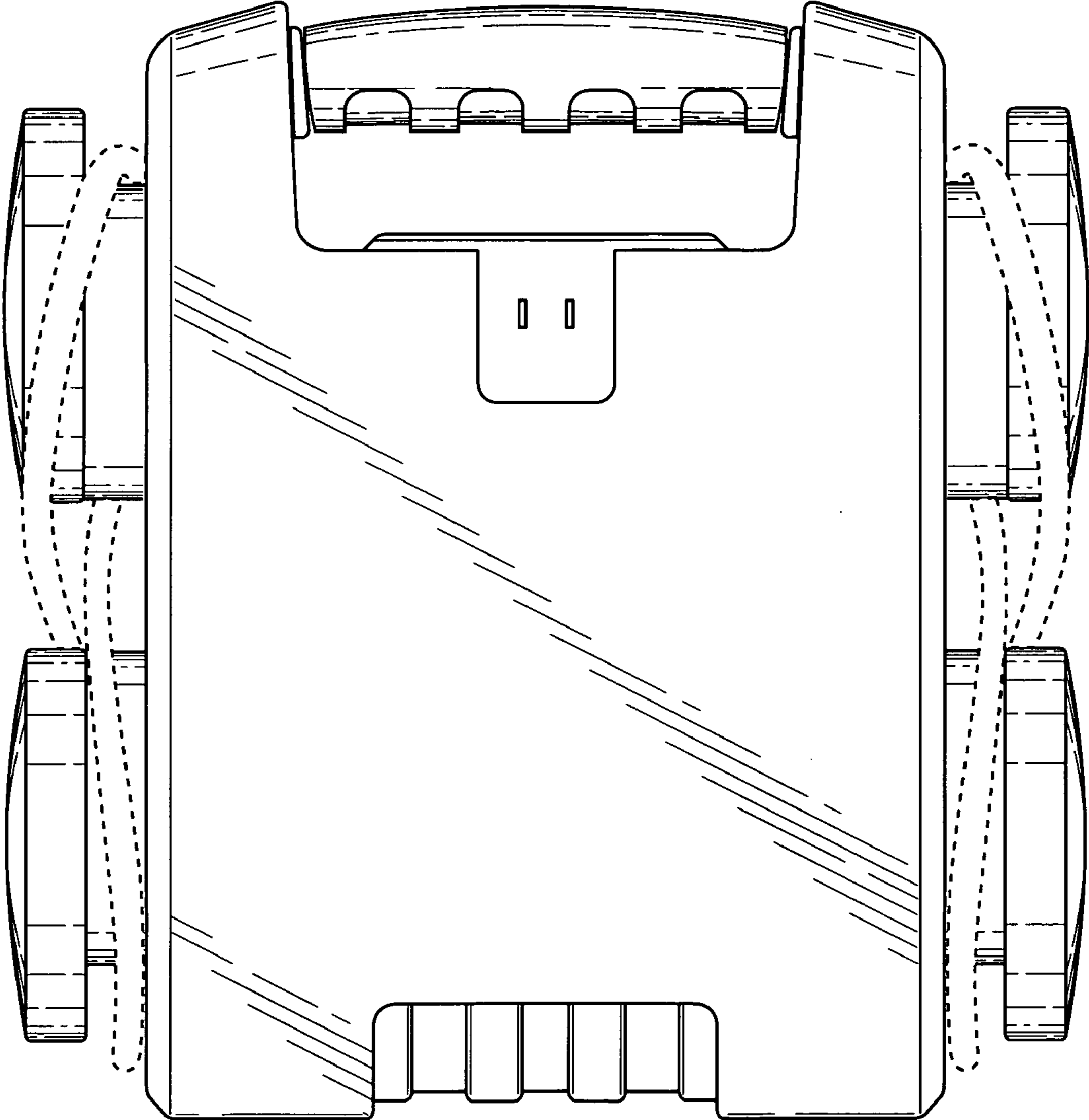


Fig. 3

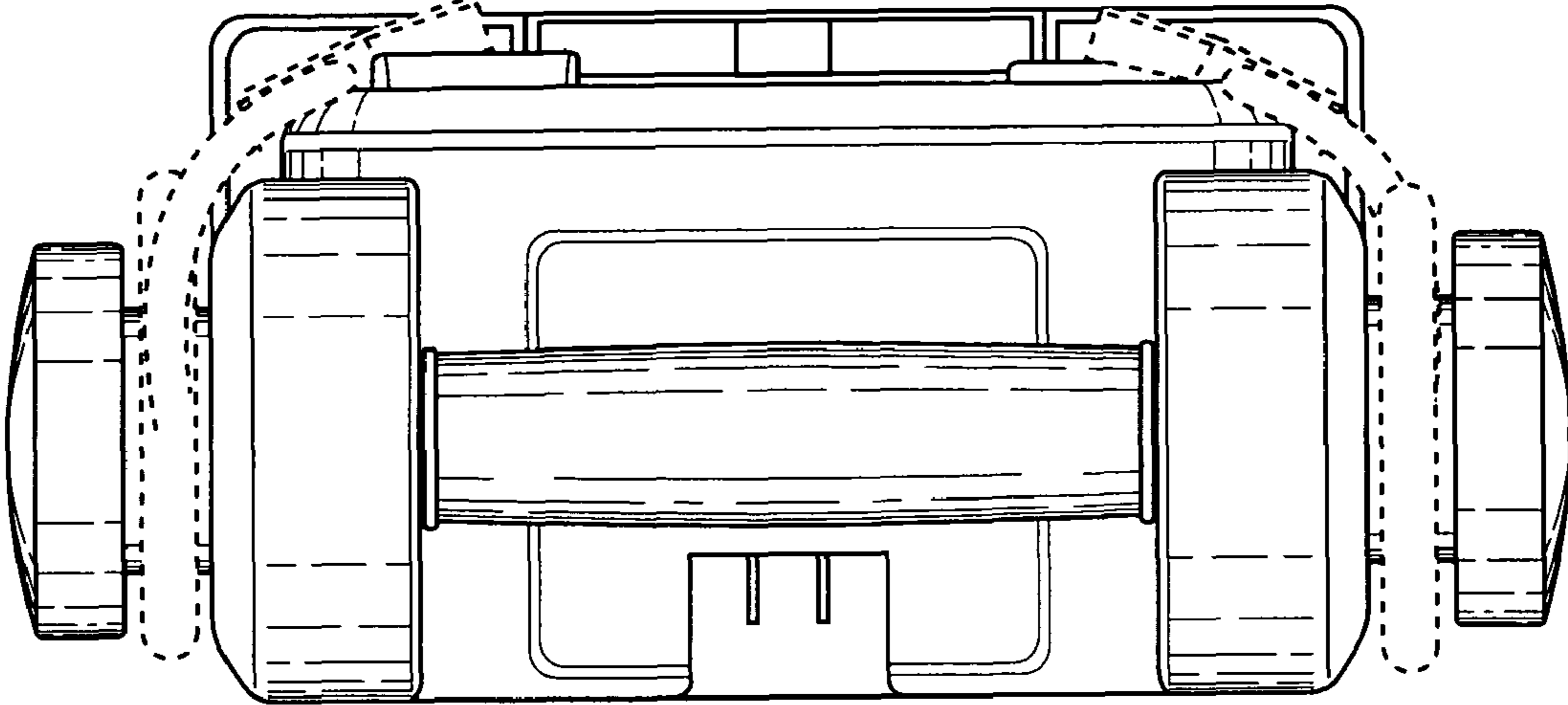


Fig. 4

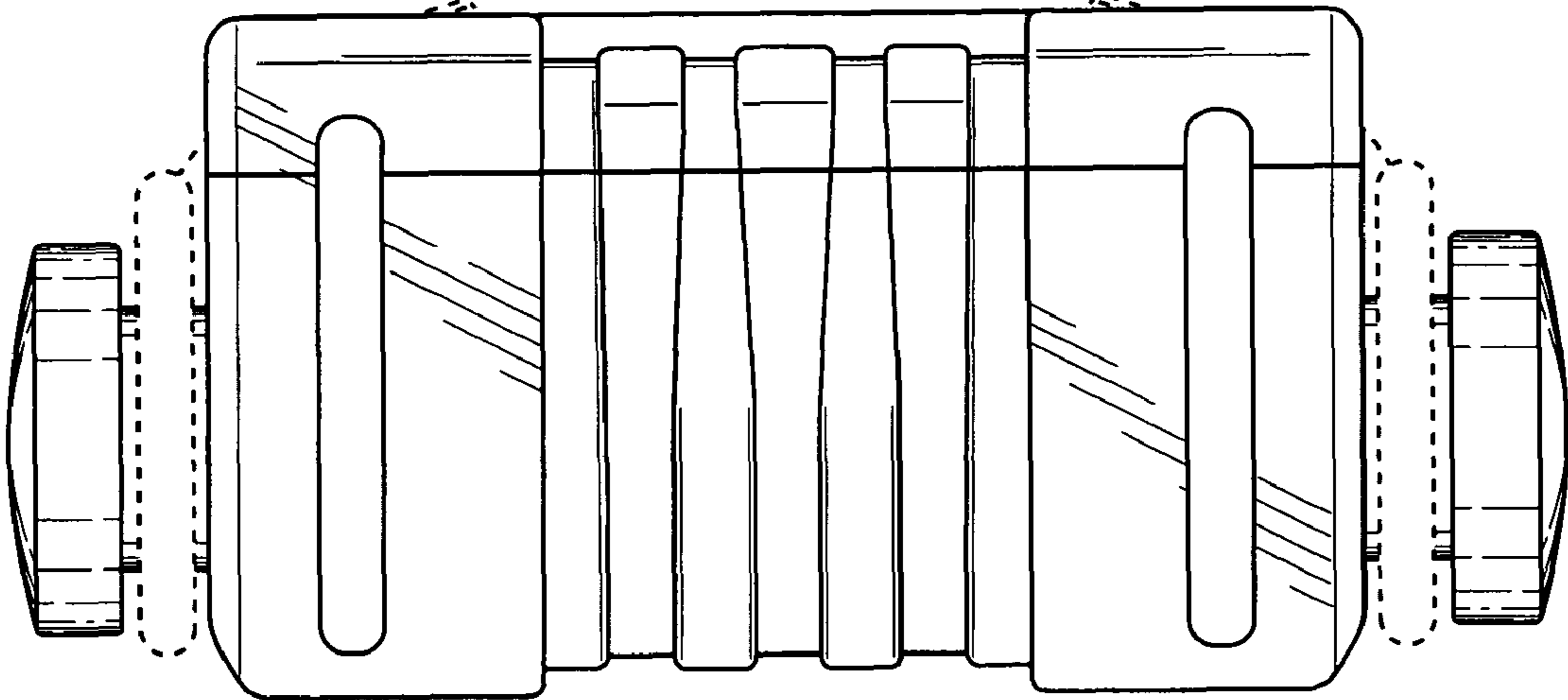


Fig. 5

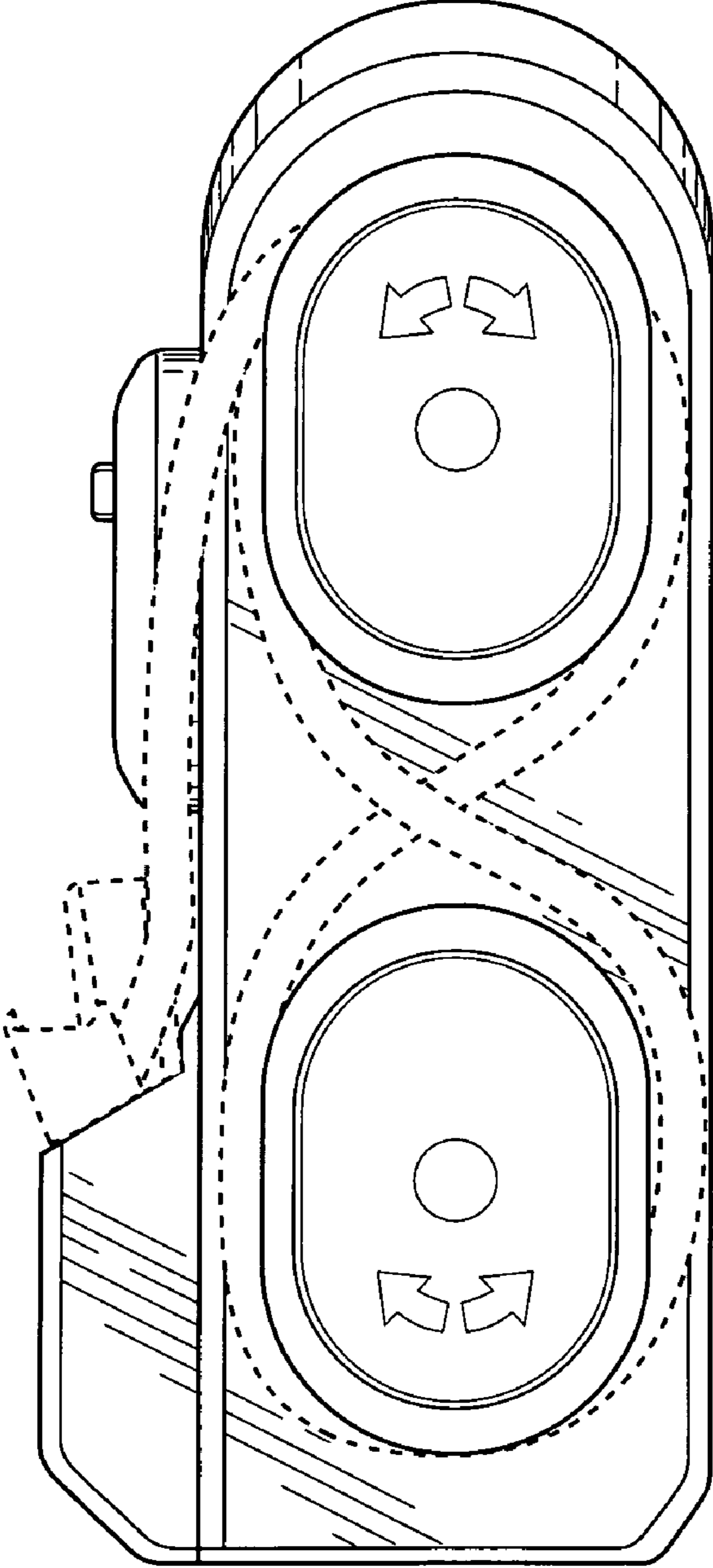


Fig. 6

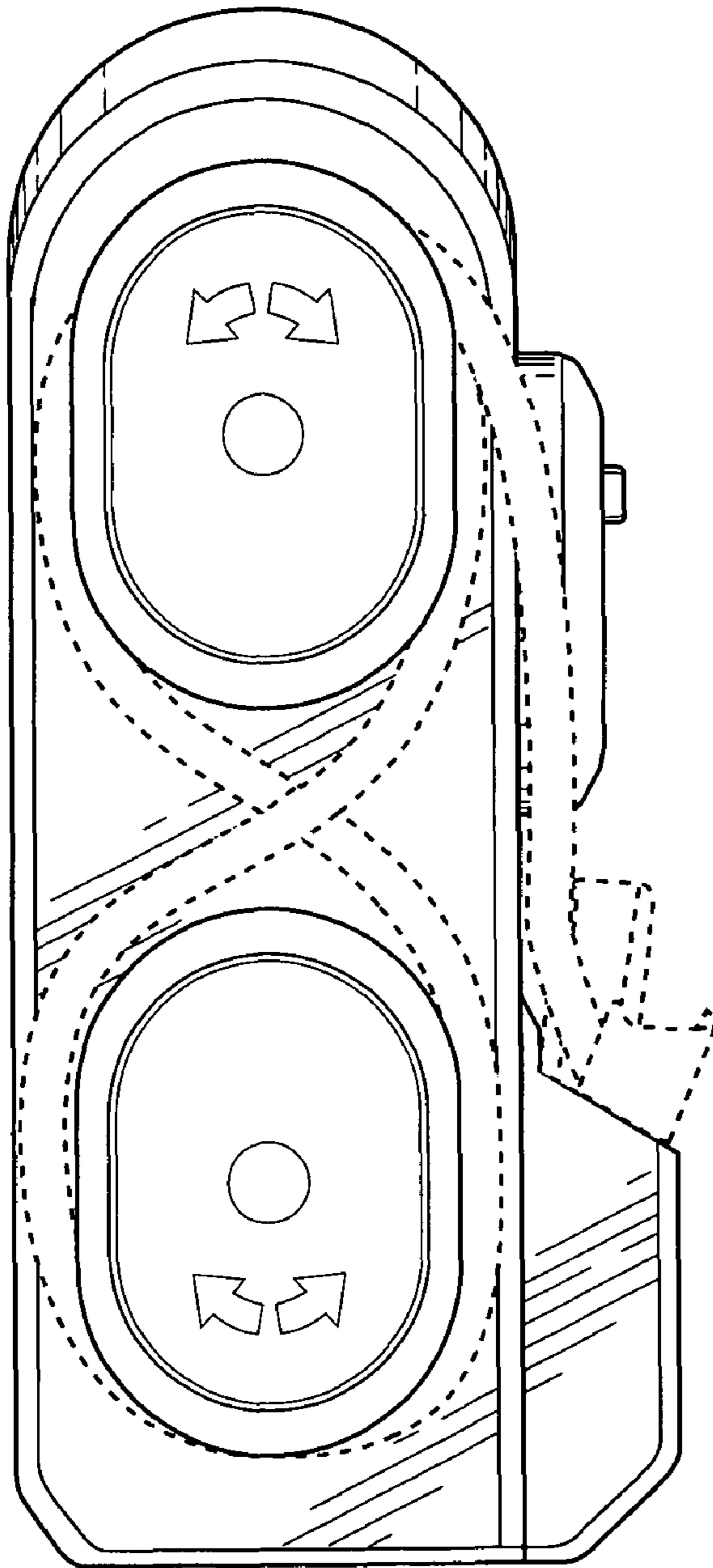


Fig. 7