



US00D635508S

(12) **United States Design Patent**
Seyama et al.

(10) **Patent No.:** **US D635,508 S**
(45) **Date of Patent:** **** Apr. 5, 2011**

(54) **ASSEMBLED BATTERY**
(75) Inventors: **Yukitaka Seyama**, Kyoto (JP); **Takeshi Nakamoto**, Kyoto (JP); **Koichi Nishiyama**, Kyoto (JP)
(73) Assignee: **GS Yuasa Corporation**, Kyoto-fu (JP)
(**) Term: **14 Years**

5,484,667 A * 1/1996 Sahli et al. 429/100
5,498,488 A * 3/1996 Stocchiero 429/72
5,512,065 A * 4/1996 Kump et al. 29/623.1
D383,434 S * 9/1997 Hooke et al. D13/103
D400,849 S * 11/1998 Ikeda et al. D13/106
D401,551 S * 11/1998 Kim D13/106
D458,900 S * 6/2002 Carter et al. D13/106
6,572,999 B1 * 6/2003 Stocchiero 429/176
D491,138 S * 6/2004 Minato D13/104
6,972,163 B2 * 12/2005 Smith et al. 429/65
D553,565 S * 10/2007 Kawakita et al. D13/119

* cited by examiner

(21) Appl. No.: **29/362,998**

(22) Filed: **Jun. 3, 2010**

Related U.S. Application Data

(62) Division of application No. 29/294,819, filed on Jan. 29, 2008.

Primary Examiner — Rosemary K Tarcza

(74) *Attorney, Agent, or Firm* — Jordan and Hamburg LLP

Foreign Application Priority Data

Oct. 24, 2007 (JP) JD2007-029194
Oct. 24, 2007 (JP) JD2007-029195

(51) **LOC (9) Cl.** **13-02**
(52) **U.S. Cl.** **D13/104**
(58) **Field of Classification Search** D13/102–106,
D13/110, 118–121, 184; 429/96–100, 163,
429/176

See application file for complete search history.

(57) **CLAIM**

The ornamental design for an assembled battery, as shown and described.

(56) **References Cited**

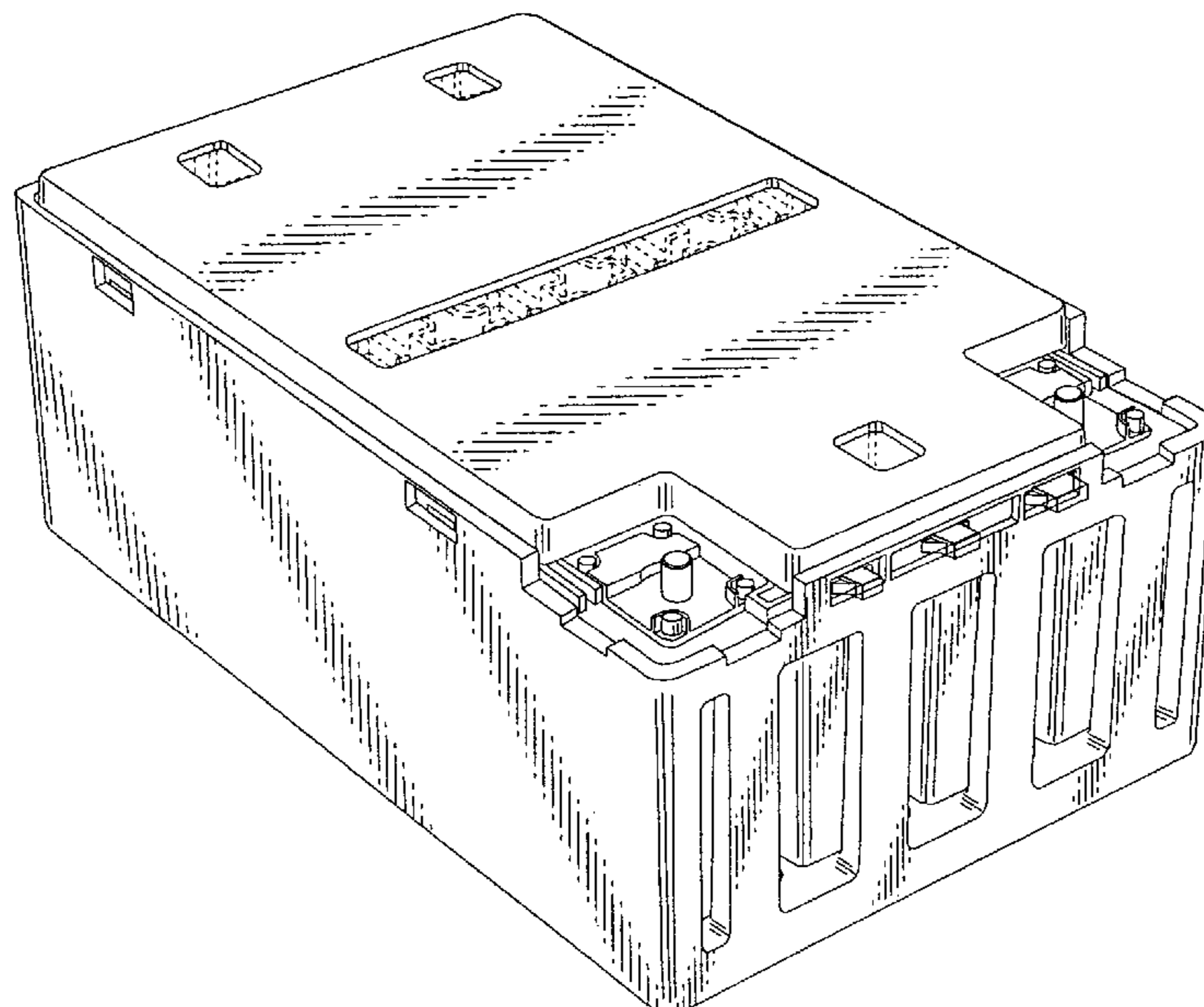
U.S. PATENT DOCUMENTS

D287,360 S * 12/1986 Lehmann D13/184
4,634,642 A * 1/1987 Lopez-Doriga
Lopez-Doriga 429/121
4,693,949 A * 9/1987 Kellett et al. 429/128
D292,576 S * 11/1987 Kump et al. D13/106
4,729,933 A * 3/1988 Oswald 429/59

DESCRIPTION

FIG. 1 is a front perspective view of assembled battery showing our new design;
FIG. 2 is a top view thereof;
FIG. 3 is a front view thereof;
FIG. 4 is a bottom view thereof;
FIG. 5 is a back view thereof;
FIG. 6 is a right side view thereof;
FIG. 7 is a left side view thereof;
FIG. 8 is a top view that shows state of removing the top cover;
FIG. 9 is a sectional view taken along 9—9 of FIG. 3;
FIG. 10 is a sectional view taken along 10—10 of FIG. 3; and,
FIG. 11 is a sectional view taken along 11—11 of FIG. 6.
The broken line showing of environmental structure is for the purpose of illustrating and forms no part of the claimed design.

1 Claim, 6 Drawing Sheets



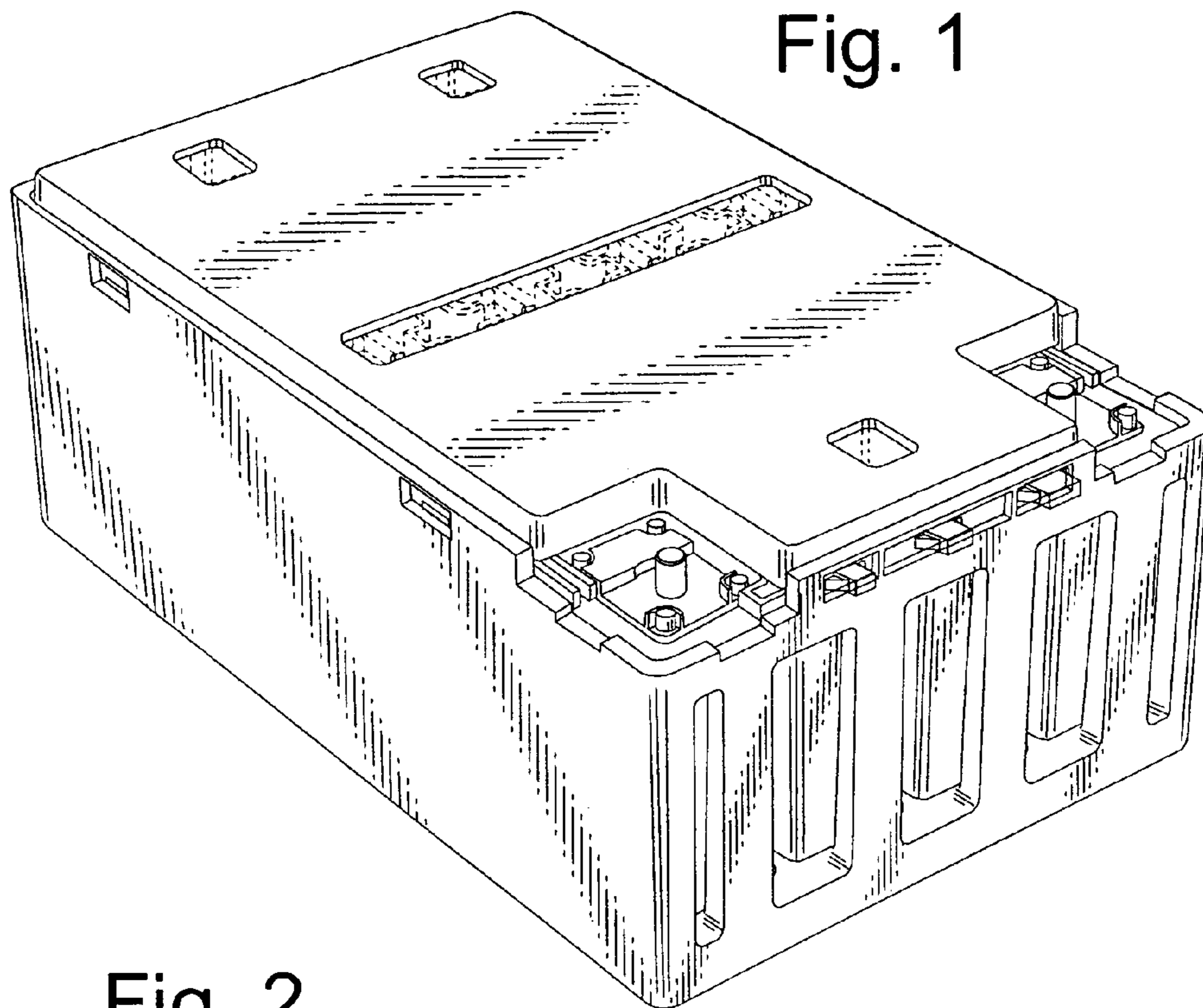


Fig. 2

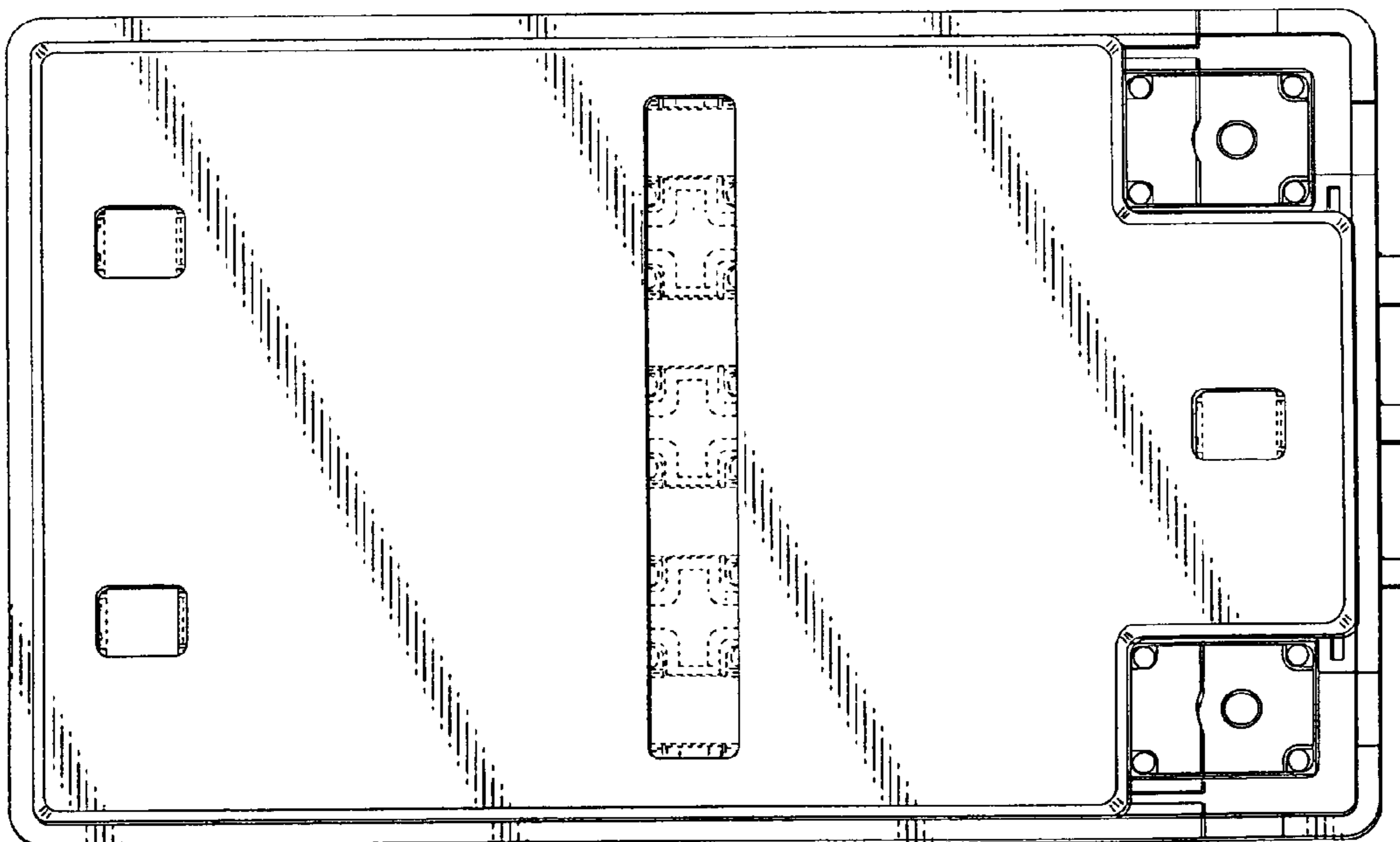


Fig. 3

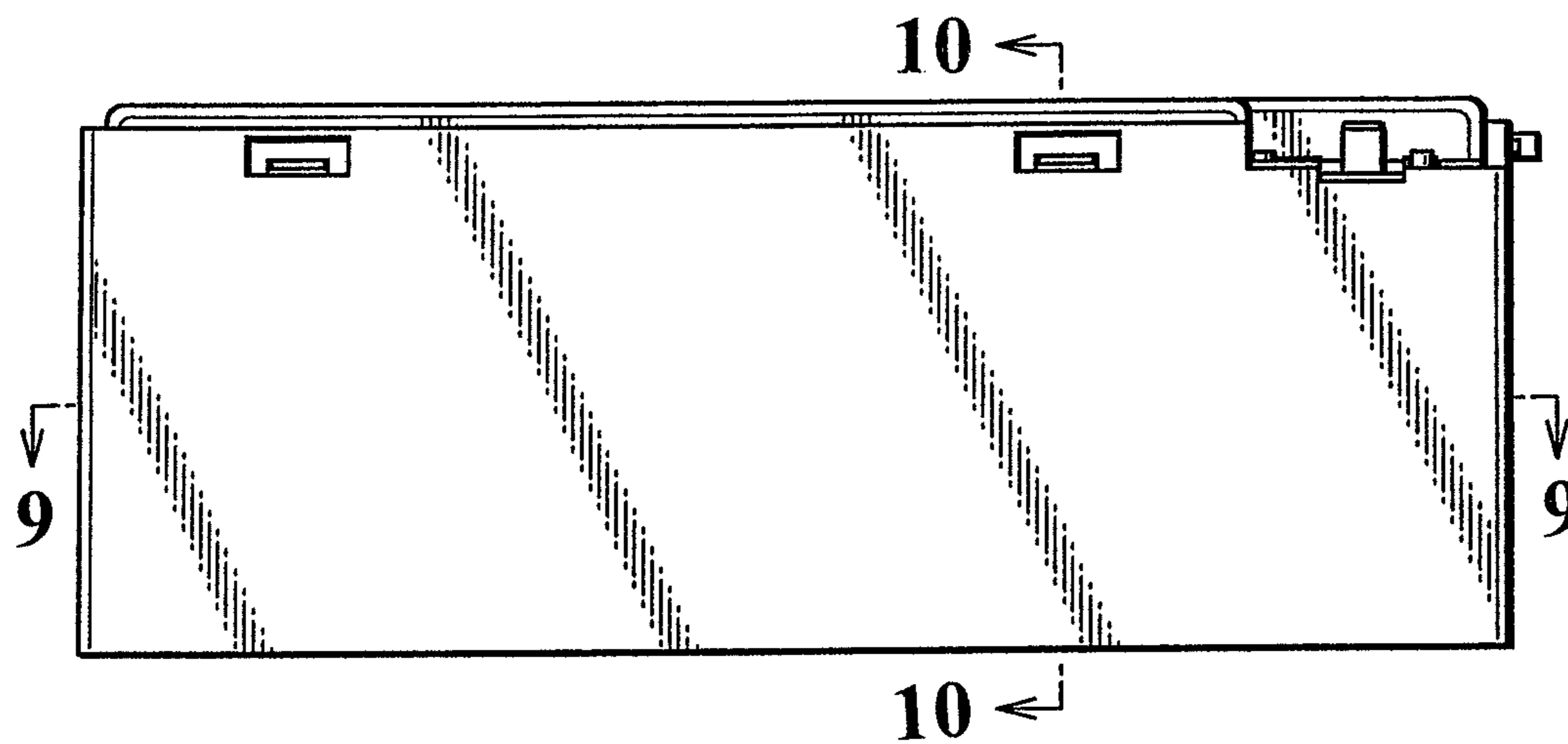


Fig. 4

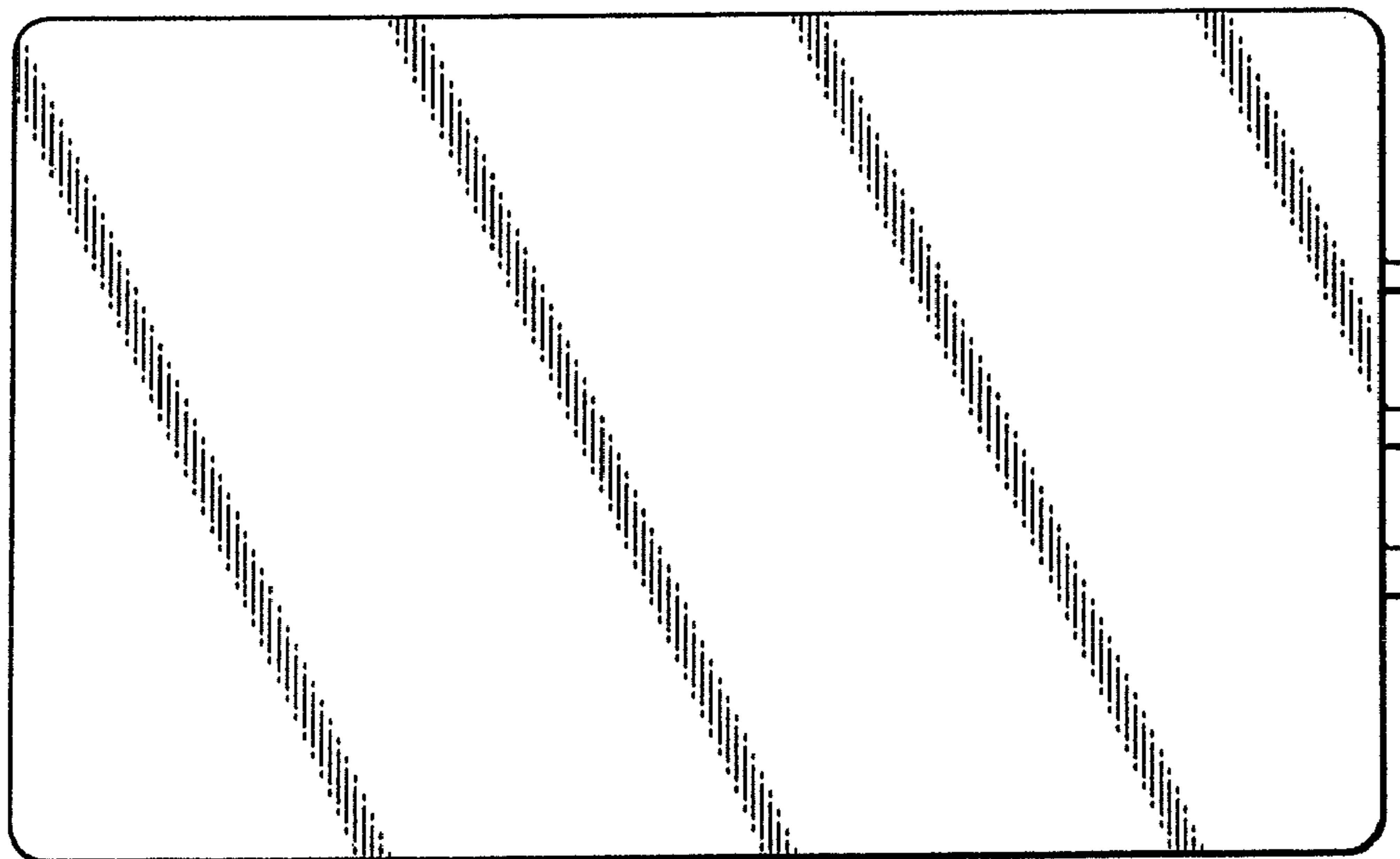


Fig. 5

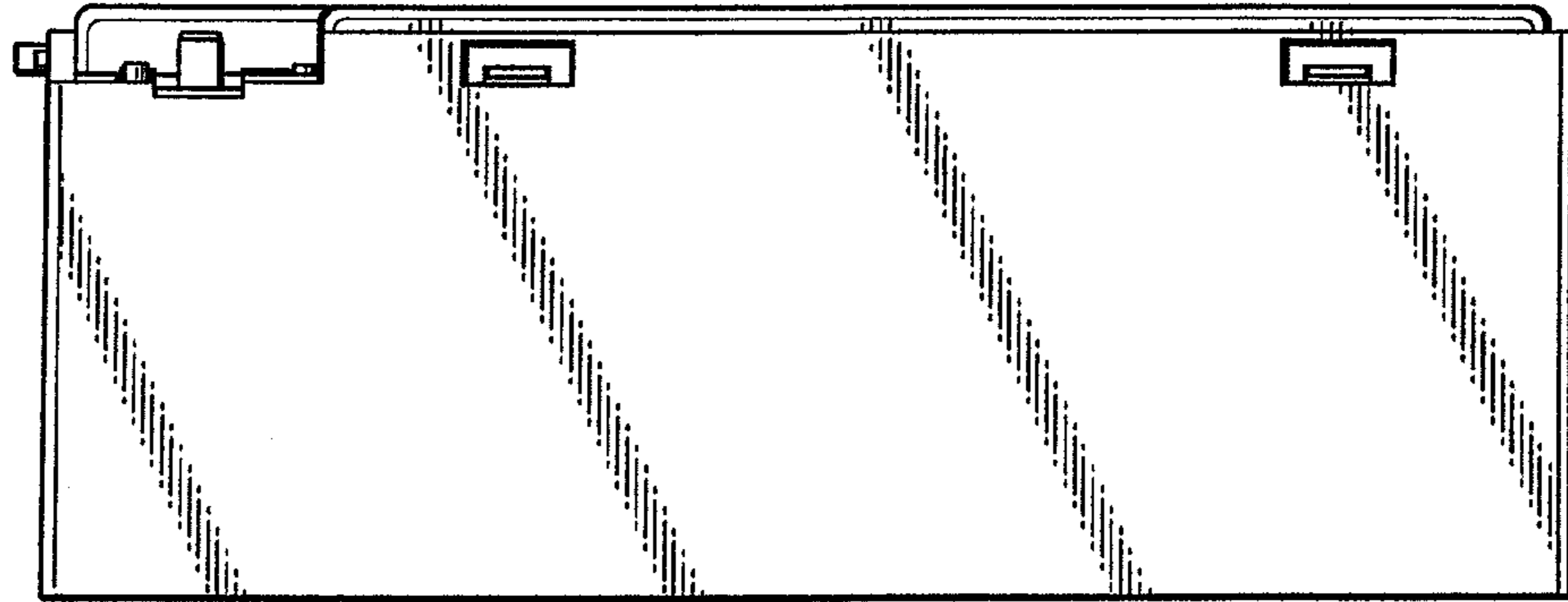


Fig. 6

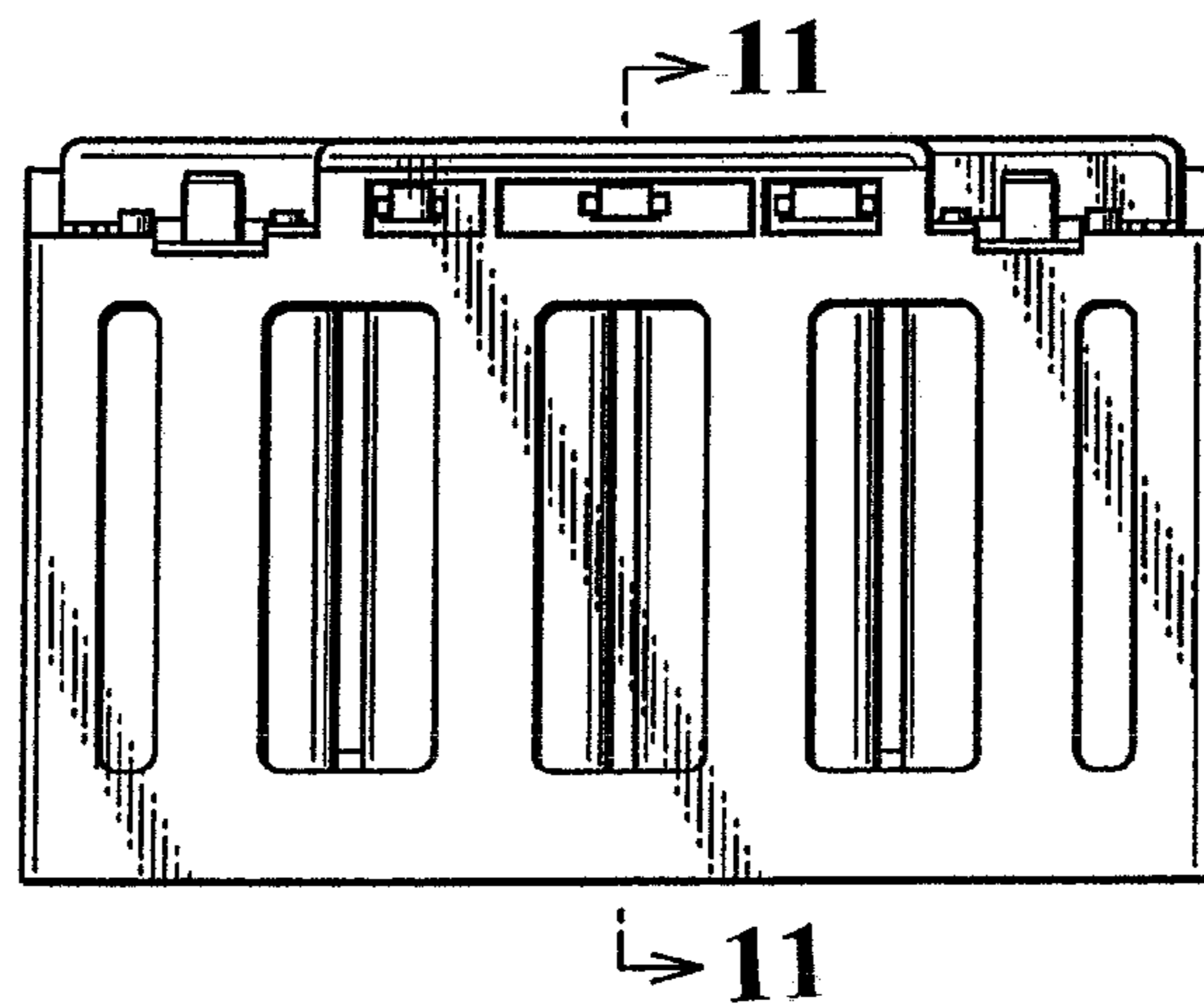


Fig. 7

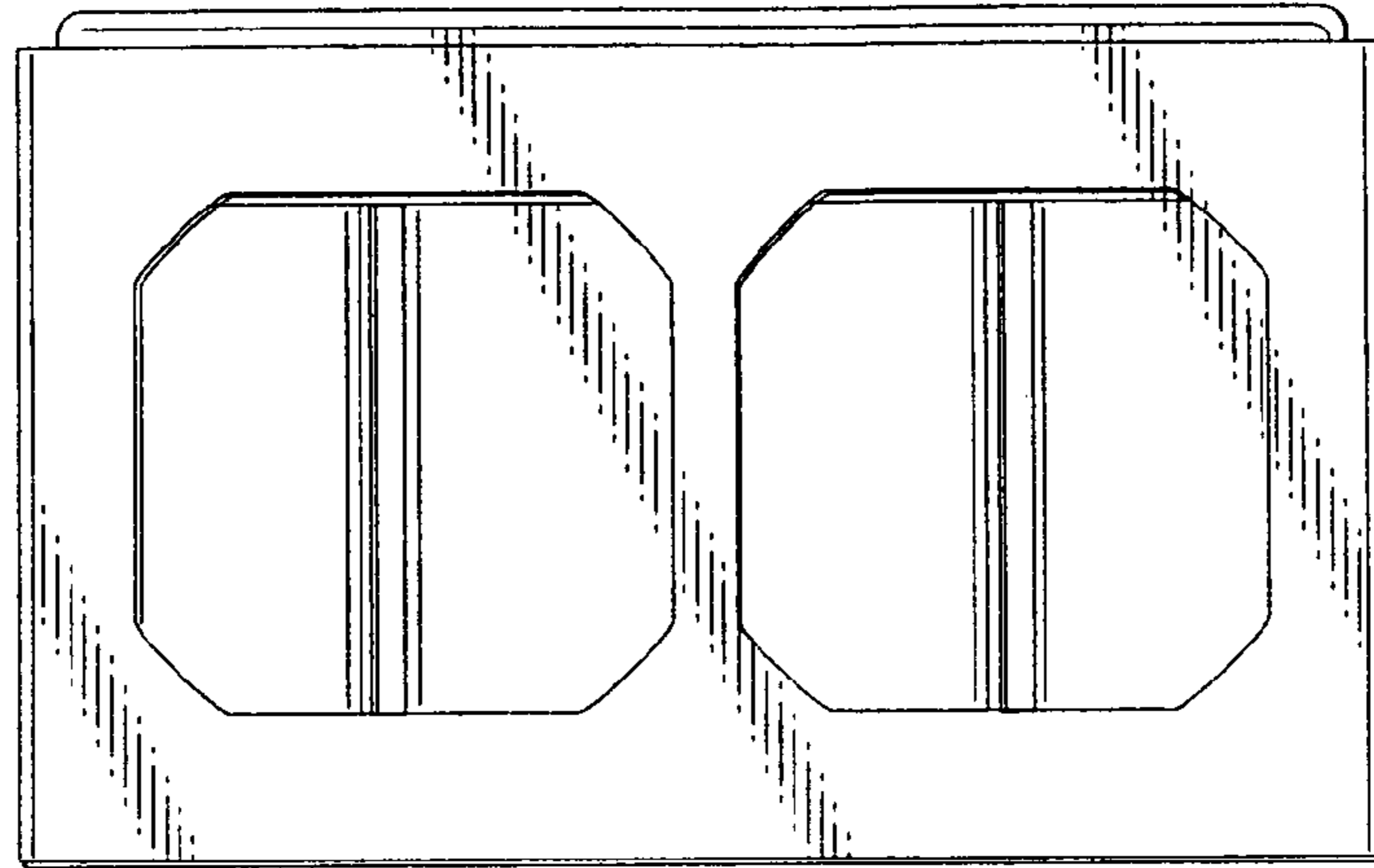


Fig. 8

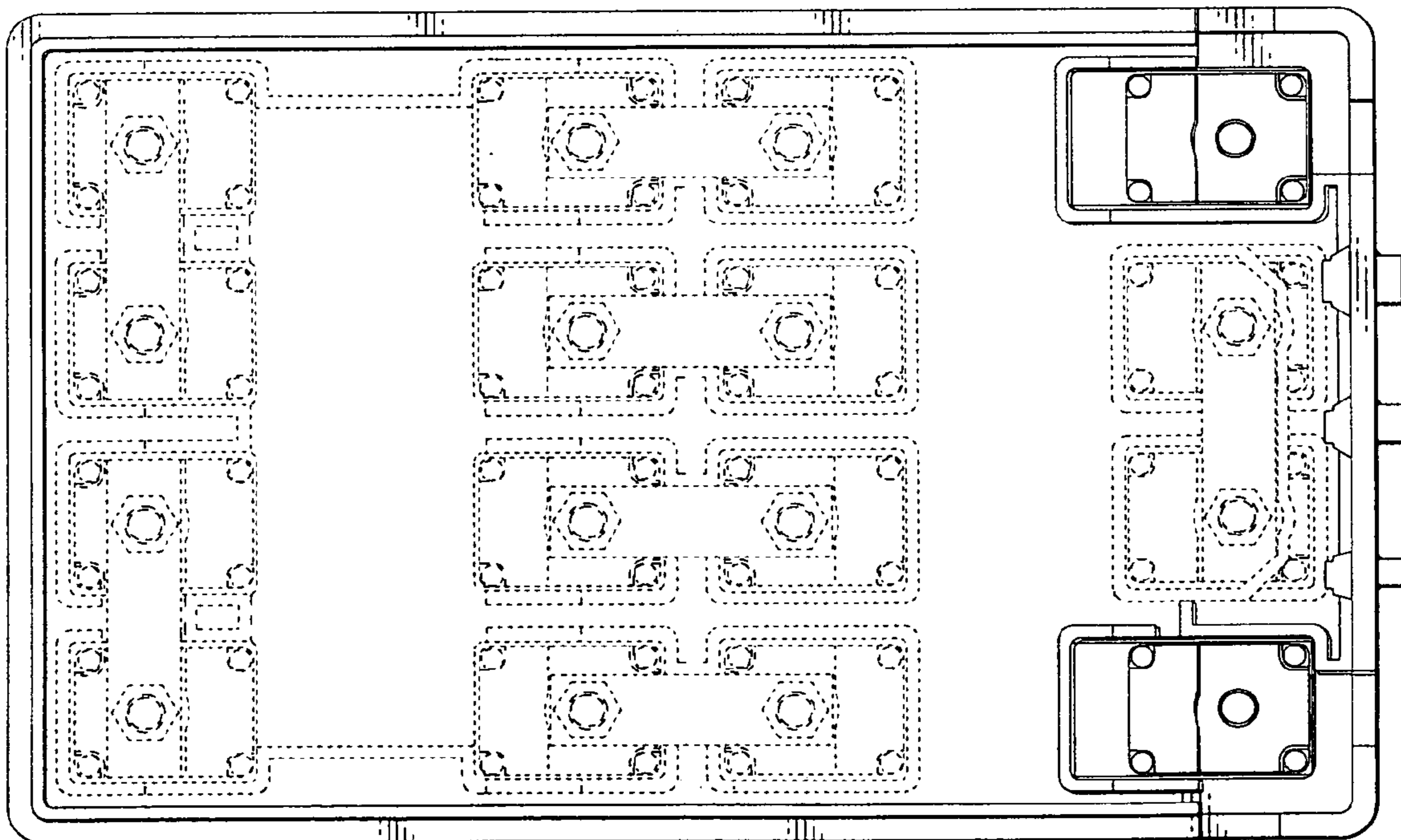


Fig. 9

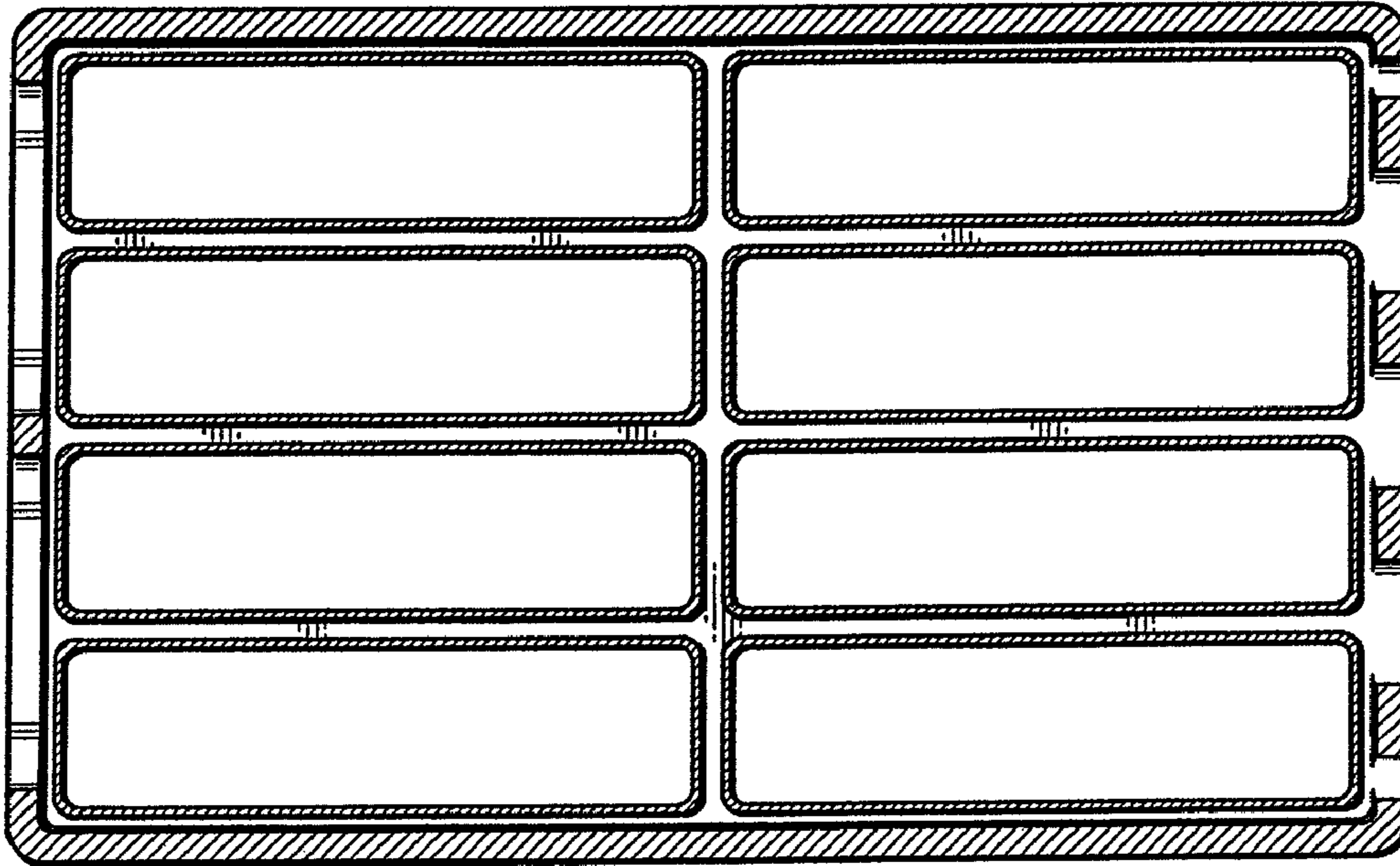


Fig. 10

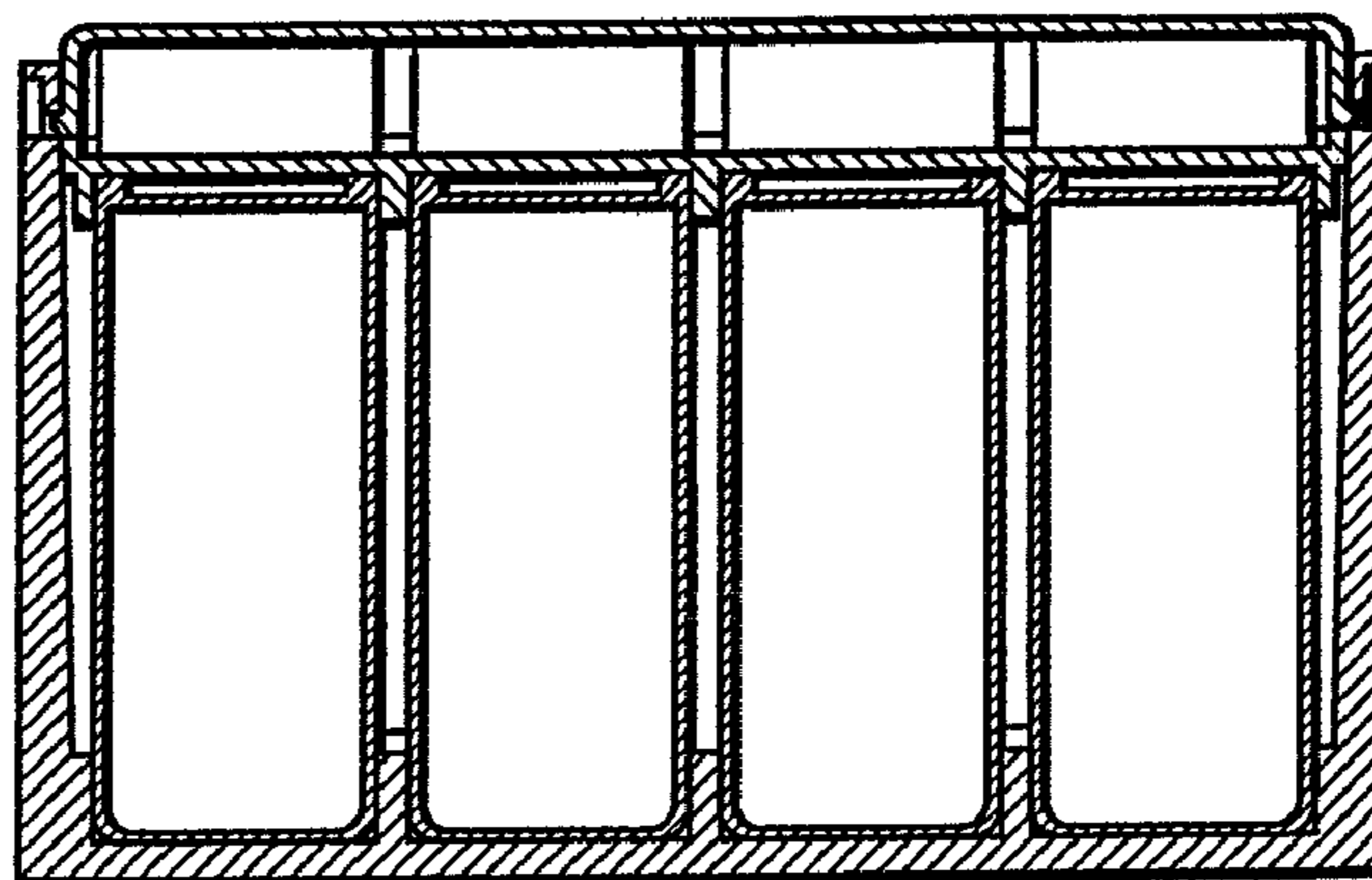


Fig. 11

