



US00D635507S

(12) **United States Design Patent**
Ueda et al.

(10) **Patent No.:** **US D635,507 S**
(45) **Date of Patent:** **** Apr. 5, 2011**

(54) **BATTERY FOR A BICYCLE**

(75) Inventors: **Takashi Ueda**, Osaka (JP); **Toshiyuki Nagano**, Osaka (JP); **Yoji Okuda**, Osaka (JP)

(73) Assignee: **Cateye Co., Ltd.**, Osaka (JP)

(**) Term: **14 Years**

(21) Appl. No.: **29/370,864**

(22) Filed: **Sep. 15, 2010**

(30) **Foreign Application Priority Data**

Apr. 7, 2010 (JP) 2010-008764
Apr. 7, 2010 (JP) 2010-008765

(51) **LOC (9) Cl.** **13-02**

(52) **U.S. Cl.** **D13/103**

(58) **Field of Classification Search** D13/102-106,
D13/110, 118-121, 184, 199; 429/96-100,
429/163, 176, 187

See application file for complete search history.

(56) **References Cited**

U.S. PATENT DOCUMENTS

D424,513 S * 5/2000 Birkestrand D13/103
6,274,266 B1 * 8/2001 Wang 429/163
D451,069 S * 11/2001 Maggert et al. D13/103
D457,857 S * 5/2002 Ogasawara D13/103
D531,574 S * 11/2006 Yamada D13/103

D539,215 S * 3/2007 Yoshikawa et al. D13/103
D539,730 S * 4/2007 Kawase D13/103
D580,850 S * 11/2008 Iseki D13/103
D582,845 S * 12/2008 O'Hern D13/110
D598,844 S * 8/2009 Harrison et al. D13/103
D600,639 S * 9/2009 Tang D13/103
D621,860 S * 8/2010 Fukano et al. D15/143

* cited by examiner

Primary Examiner — Rosemary K Tarcza

(74) *Attorney, Agent, or Firm* — Olson & Cepuritis, Ltd.

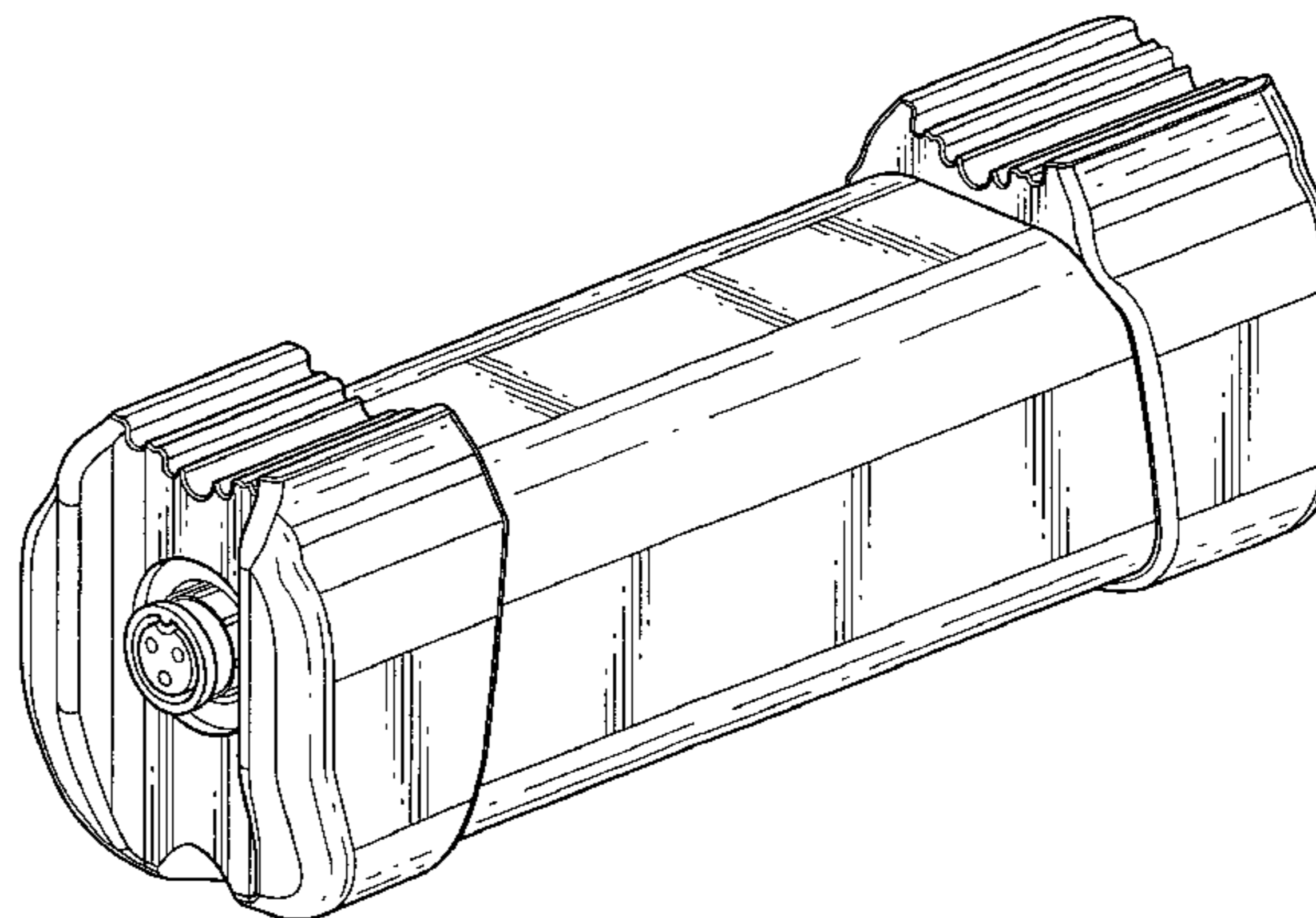
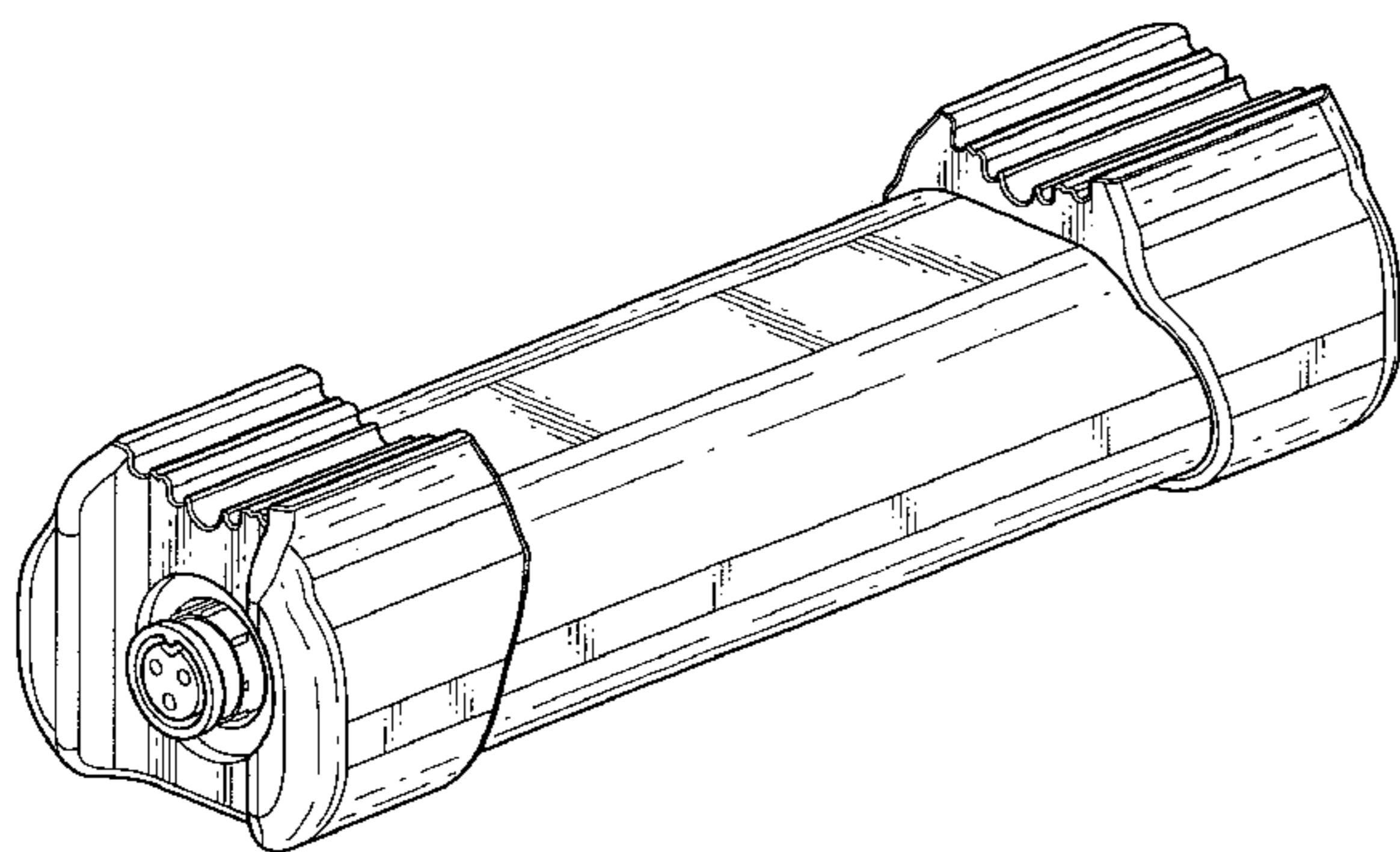
(57) **CLAIM**

The ornamental design for a battery for a bicycle, as shown.

DESCRIPTION

FIG. 1 is a front view of a battery for a bicycle of a first embodiment showing our new design; FIG. 2 is a rear view thereof; FIG. 3 is a top plan view thereof; FIG. 4 is a bottom plan view thereof; FIG. 5 is a right side view thereof; FIG. 6 is a left side view thereof; FIG. 7 is a perspective view thereof; FIG. 8 is a front view of a battery for a bicycle of a second embodiment showing our new design; FIG. 9 is a rear view thereof; FIG. 10 is a top plan view thereof; FIG. 11 is a bottom plan view thereof; FIG. 12 is a right side view thereof; FIG. 13 is a left side view thereof; and, FIG. 14 is a perspective view thereof.

1 Claim, 8 Drawing Sheets



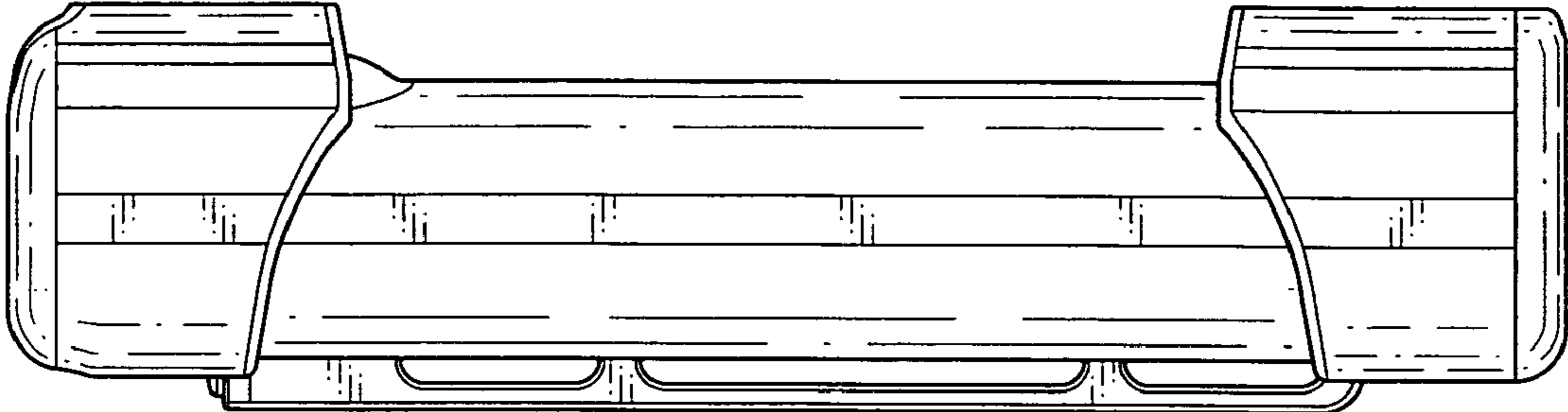


Fig. 1

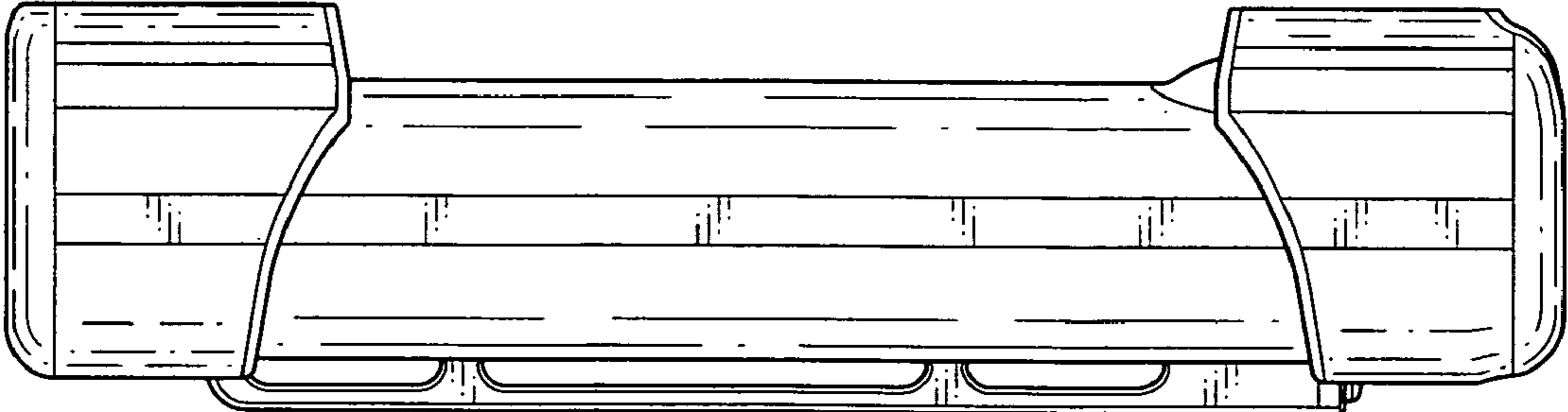


Fig. 2

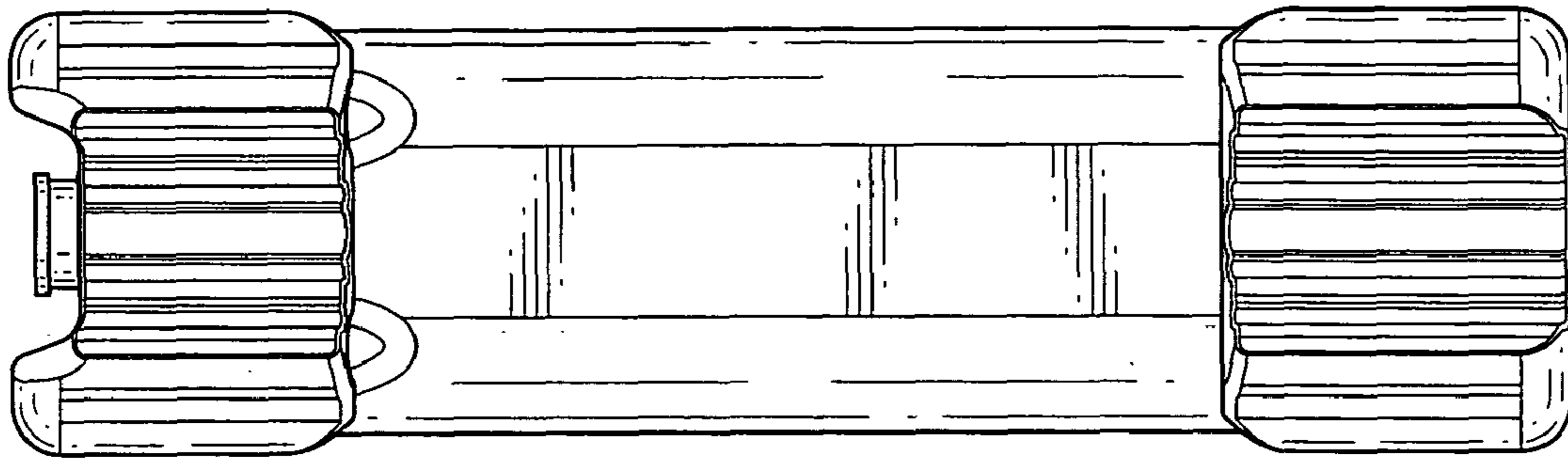


Fig. 3

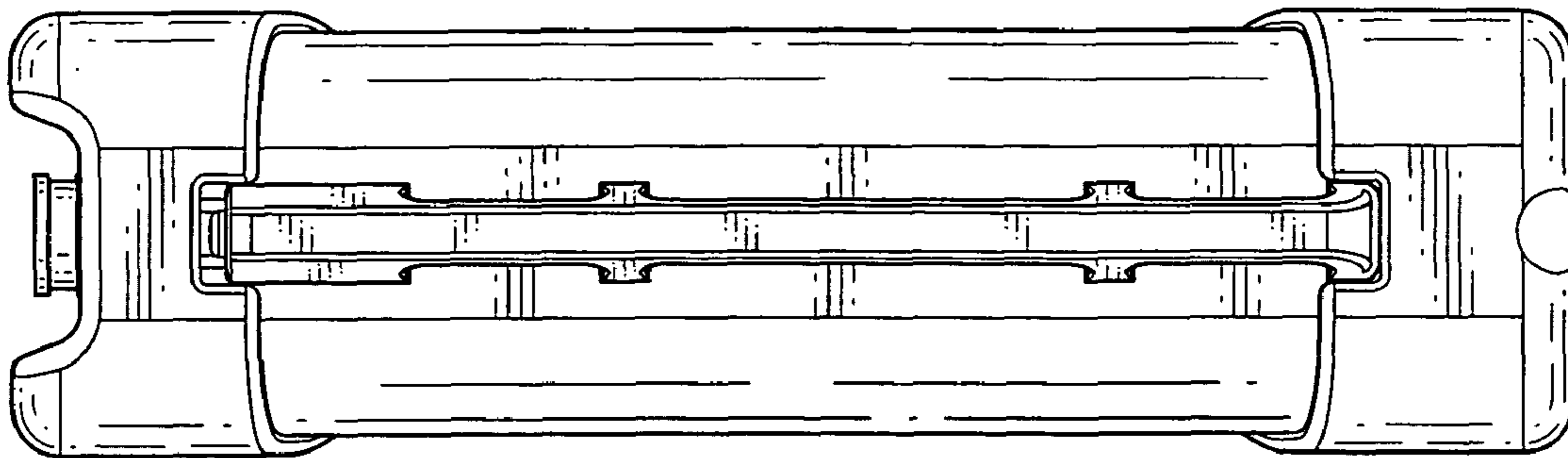


Fig. 4

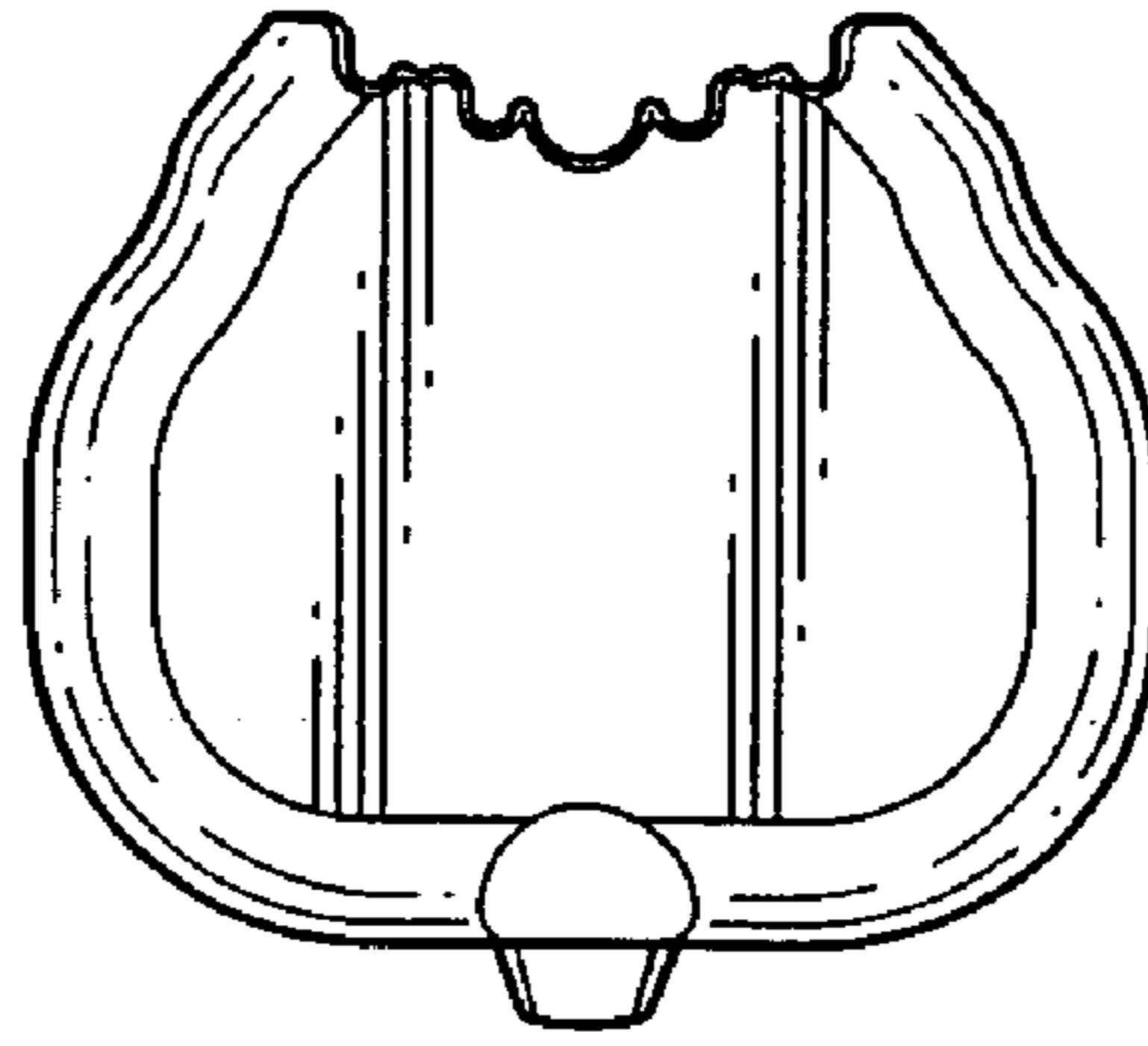


Fig. 5

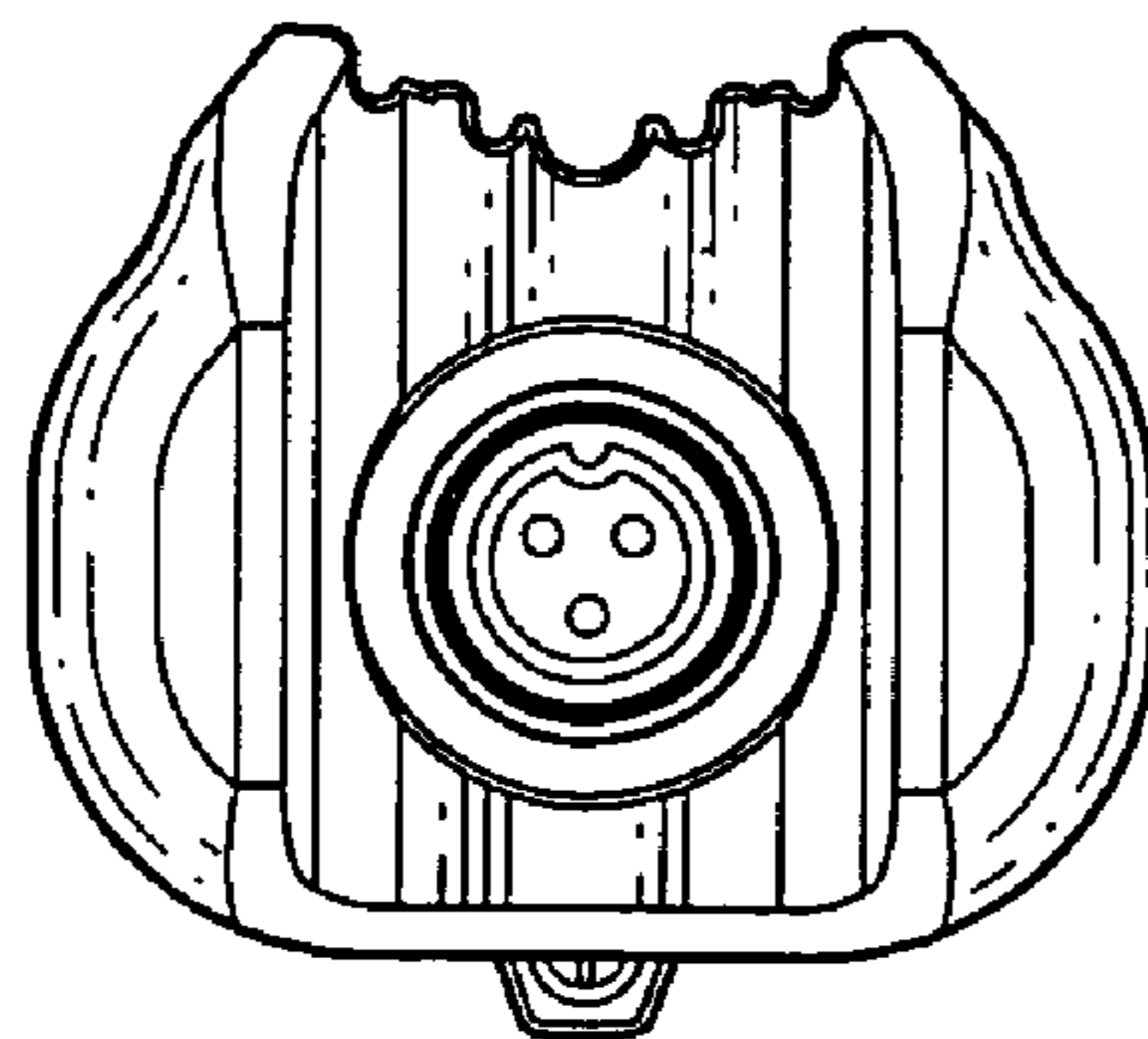


Fig. 6

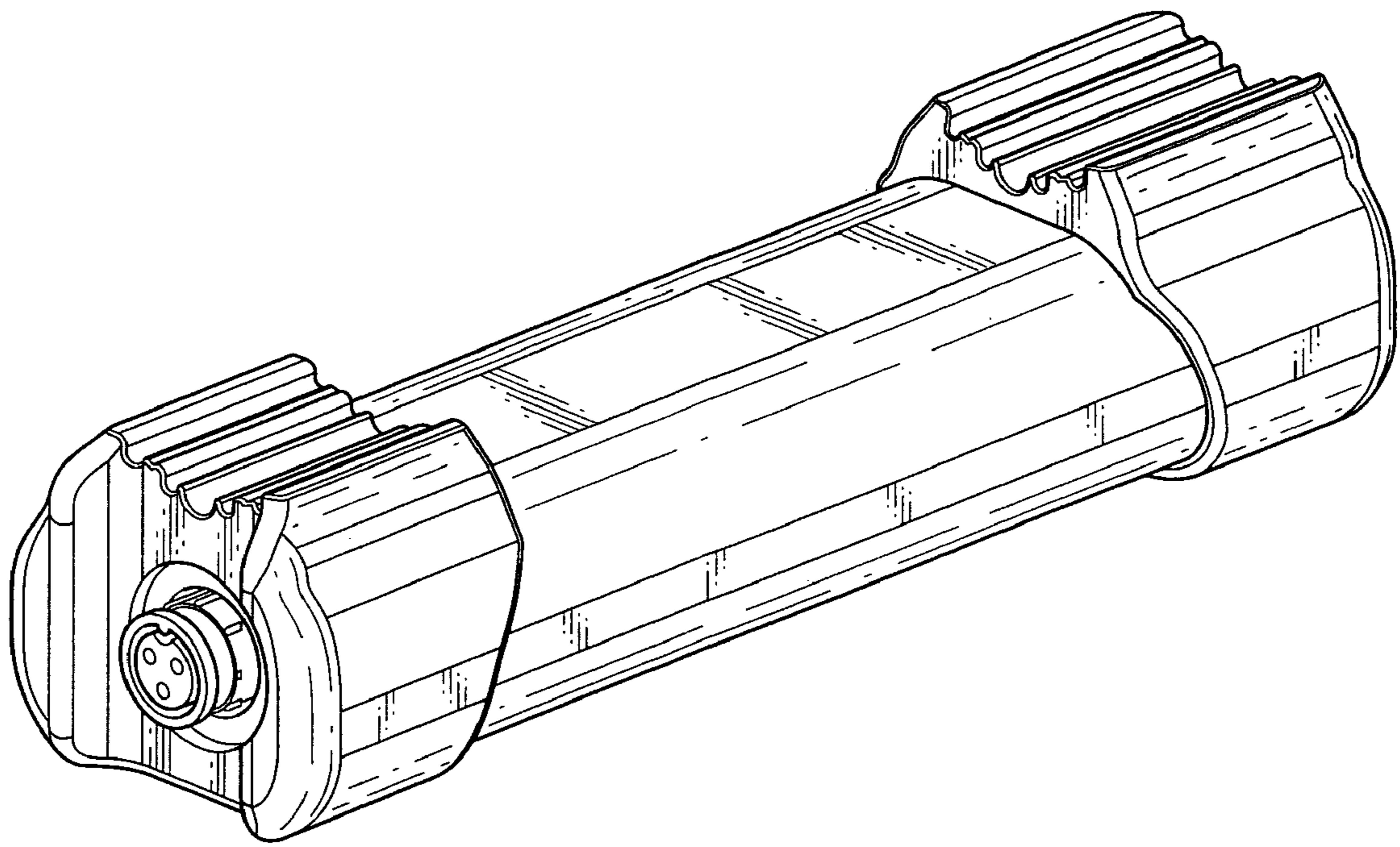


Fig. 7



Fig. 8

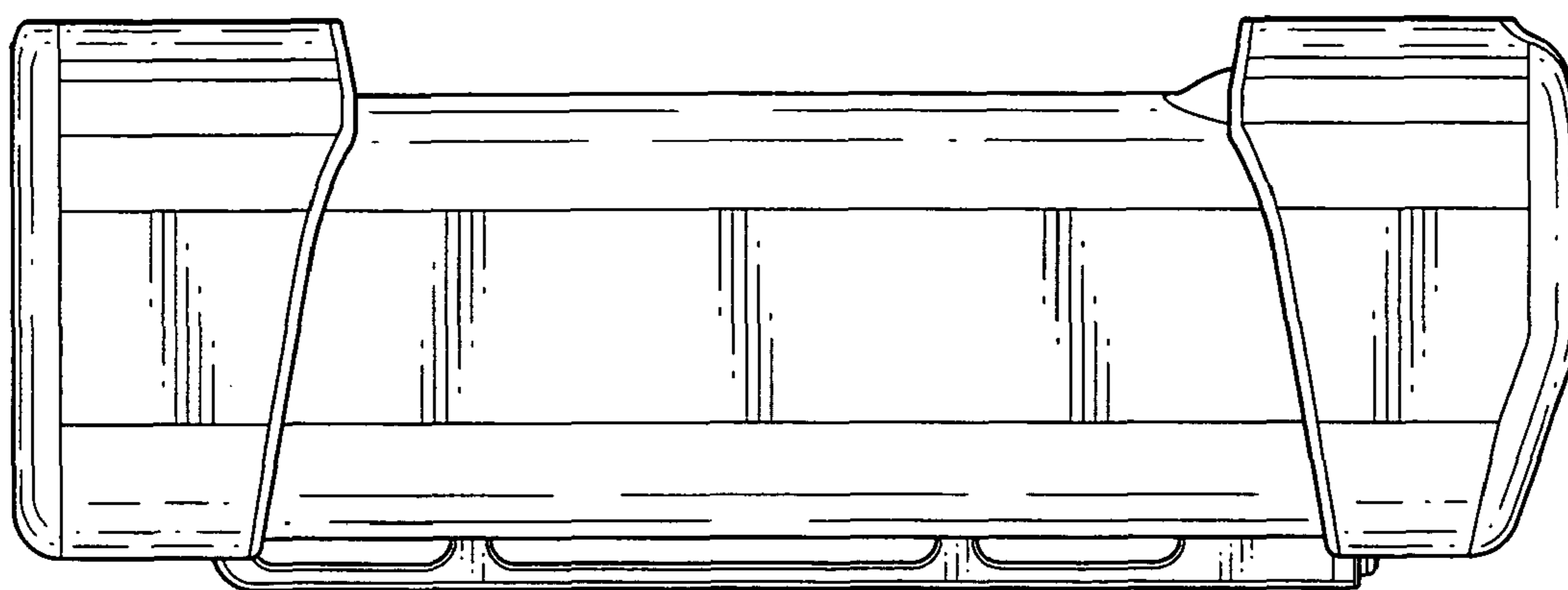


Fig. 9

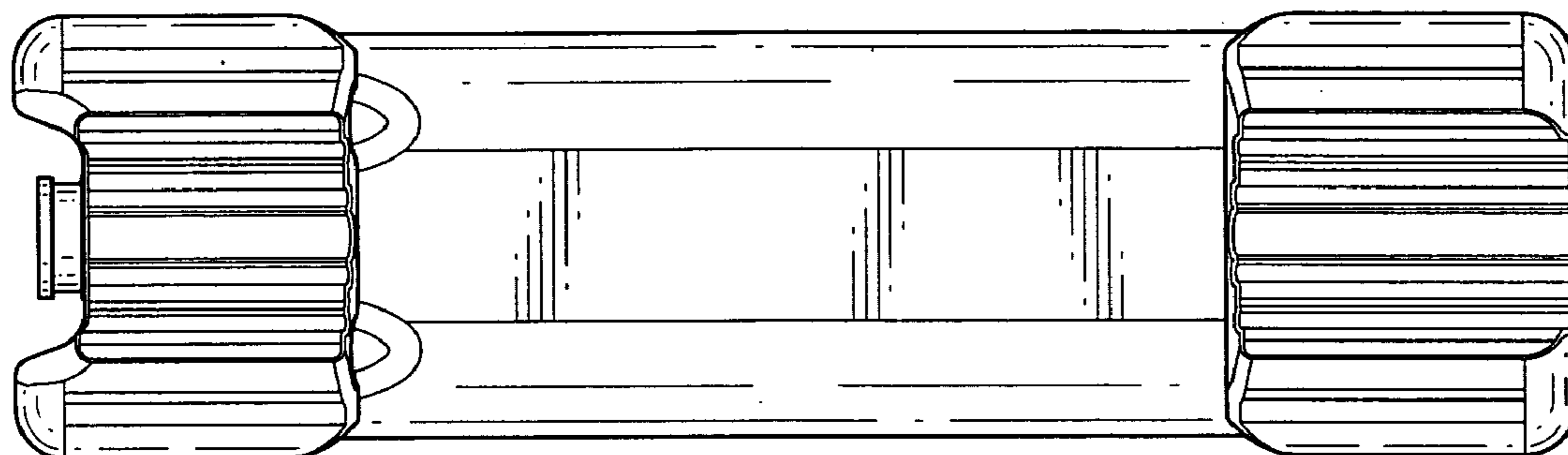


Fig. 10

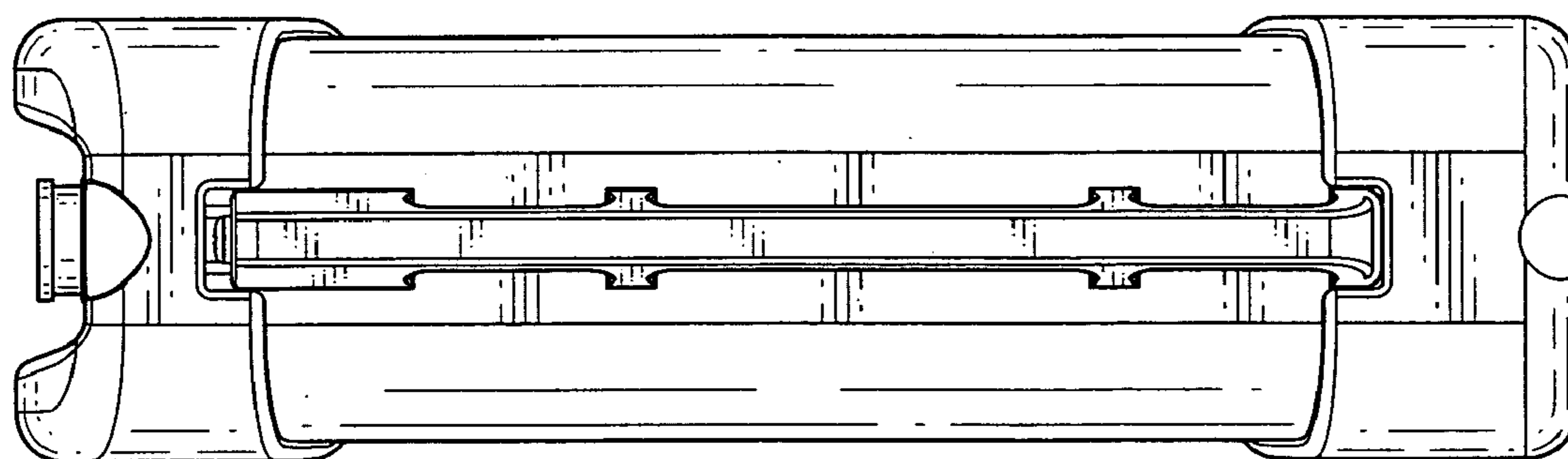


Fig. 11

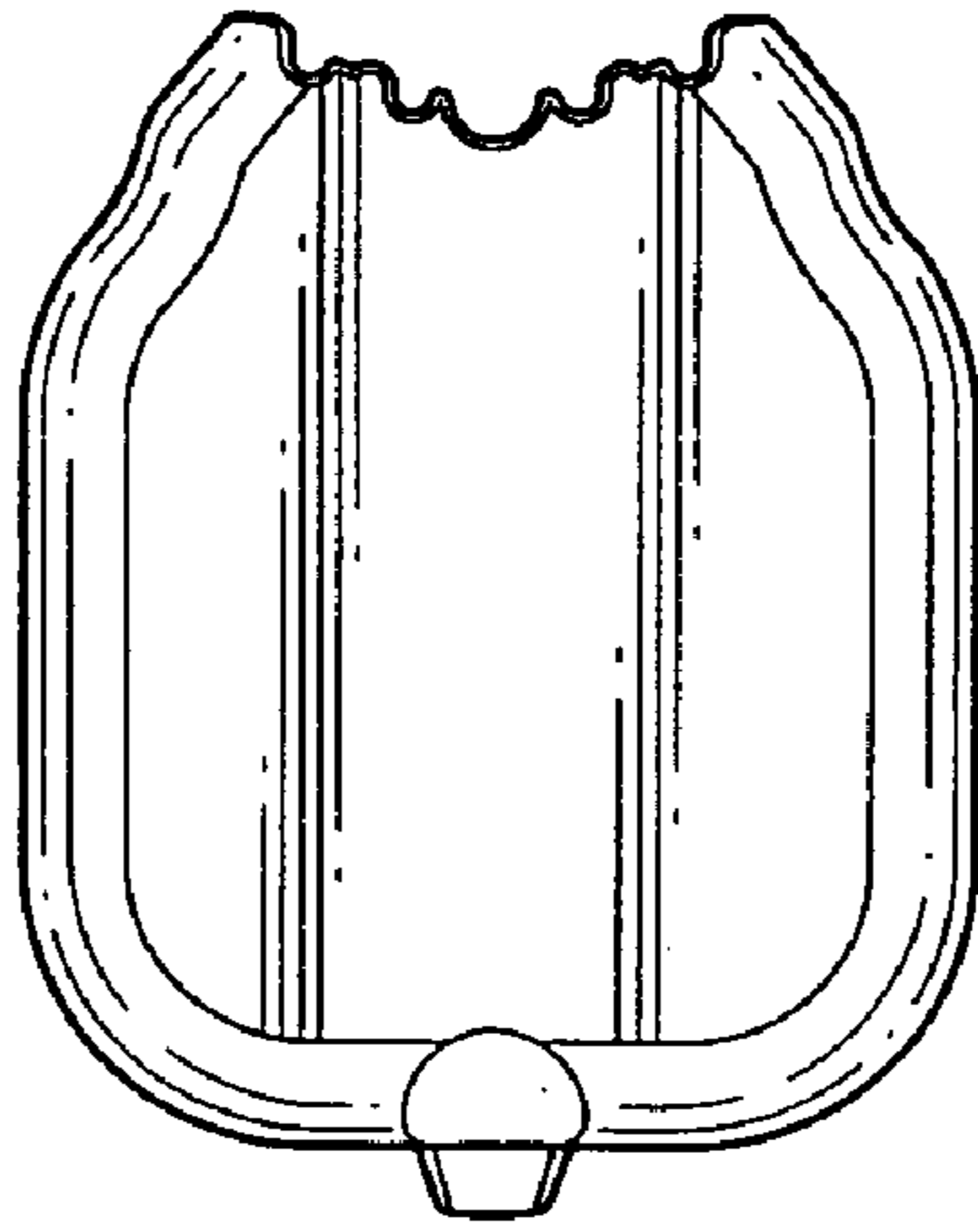


Fig. 12

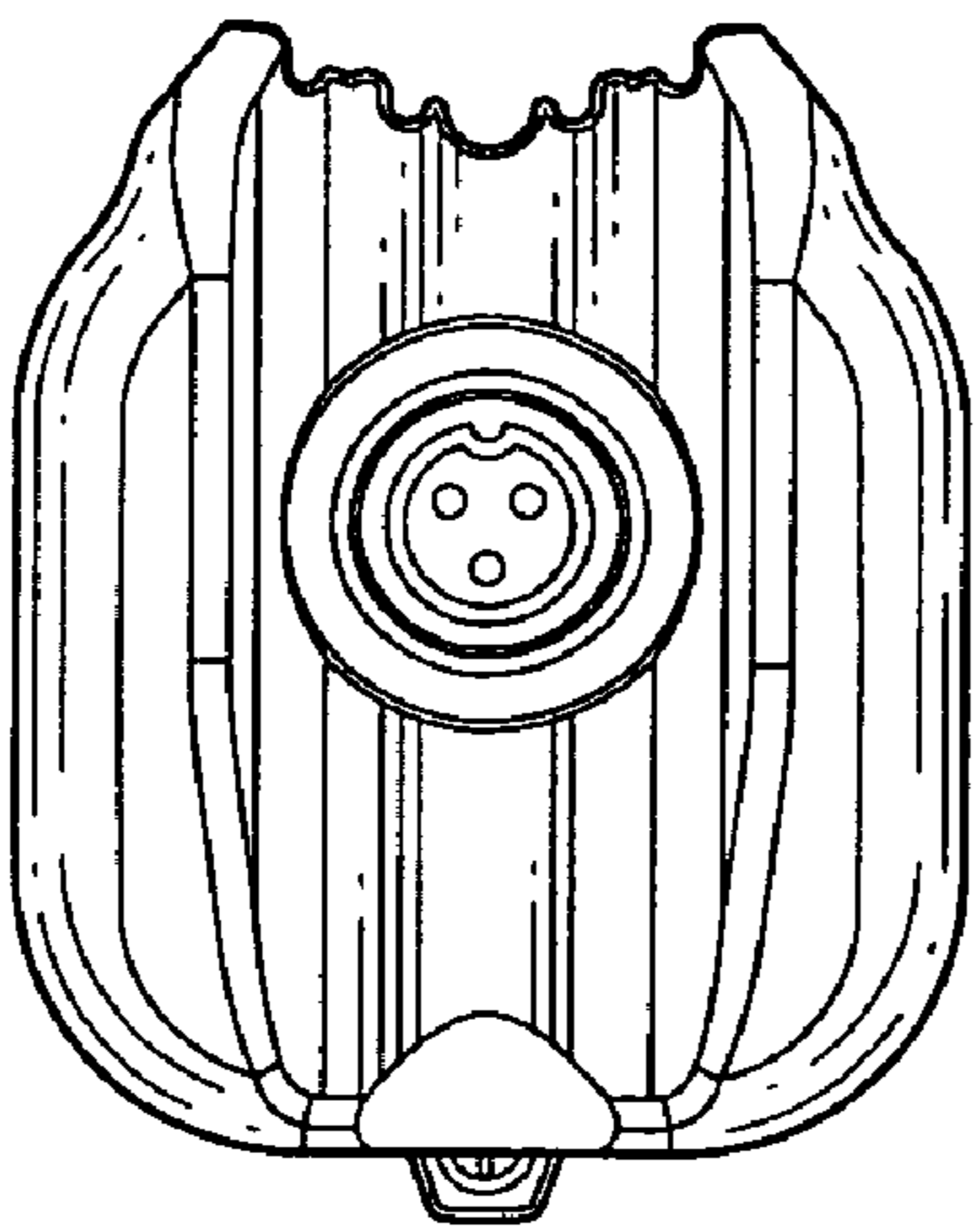


Fig. 13

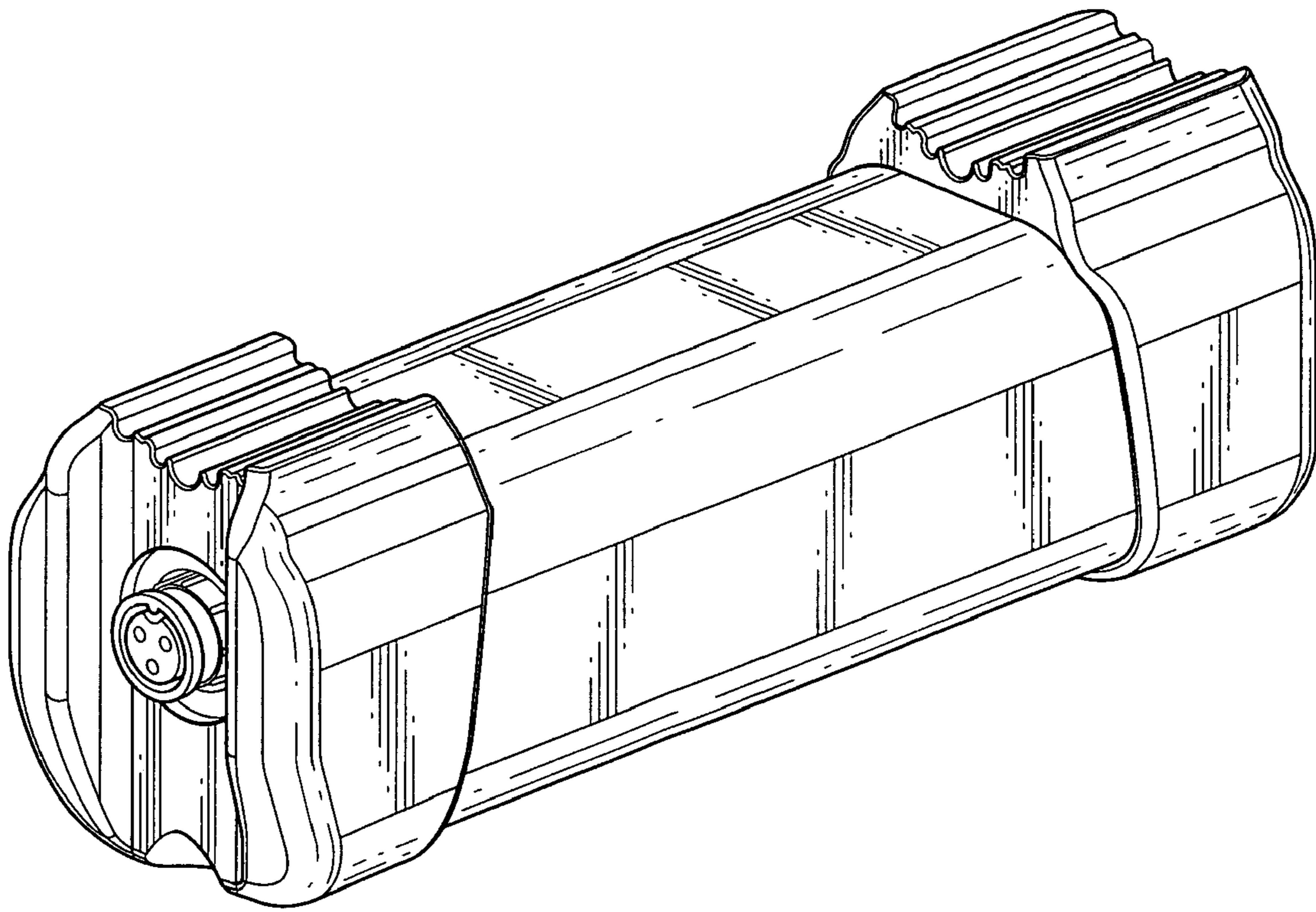


Fig. 14