



US00D635505S

(12) **United States Design Patent**
Beech

(10) **Patent No.:** **US D635,505 S**

(45) **Date of Patent:** **** Apr. 5, 2011**

(54) **GRILLING BRIQUET**

(75) Inventor: **Randy A. Beech**, Roswell, GA (US)

(73) Assignee: **Royal Oak Enterprises, LLC**, Roswell, GA (US)

(**) Term: **14 Years**

(21) Appl. No.: **29/369,217**

(22) Filed: **Sep. 3, 2010**

(51) **LOC (9) Cl.** **23-05**

(52) **U.S. Cl.** **D13/100**

(58) **Field of Classification Search** D13/100,
D13/199; D1/101, 127, 199; D7/416;
D24/101-103; D28/8.1; 44/491, 530-535,
44/543, 544, 550, 608, 634
See application file for complete search history.

(56) **References Cited**

U.S. PATENT DOCUMENTS

D187,372 S *	3/1960	Dailey	D24/101
D275,224 S *	8/1984	Darche	D13/100
D389,453 S	1/1998	Mitchell et al.		
5,958,090 A *	9/1999	Chandaria	44/535
6,790,244 B2 *	9/2004	Saunders et al.	44/550
D517,005 S	3/2006	Melin et al.		
D519,917 S *	5/2006	Melin et al.	D13/100
D548,682 S *	8/2007	Melin et al.	D13/100
D548,683 S	8/2007	Melin et al.		

D555,584 S	11/2007	Melin et al.		
D560,604 S *	1/2008	Saunders et al.	D13/100
2004/0222117 A1	11/2004	Saunders et al.		
2006/0064926 A1	3/2006	Melin et al.		
2006/0137244 A1	6/2006	Melin et al.		

FOREIGN PATENT DOCUMENTS

DE	1 138 019	11/1961
DE	101 43 921 C2	9/2001
JP	6057260	3/1994

* cited by examiner

Primary Examiner — Stella M Reid

Assistant Examiner — Derrick Holland

(74) *Attorney, Agent, or Firm* — Thomas, Kayden, Horstemeyer & Risley, LLP

(57) **CLAIM**

The ornamental design for a grilling briquet, as shown and described.

DESCRIPTION

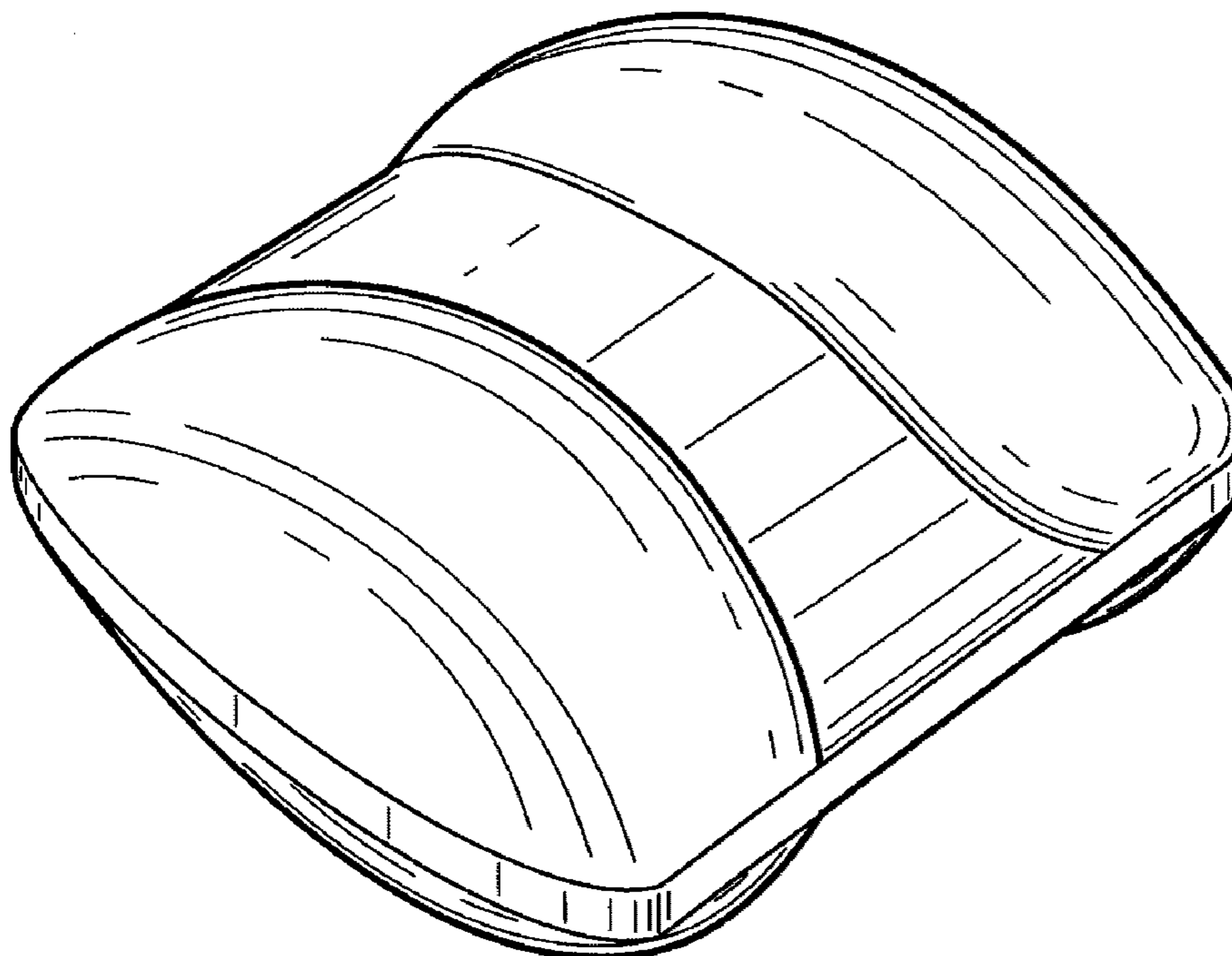
FIG. 1 is a top perspective view of a grilling briquet showing my new design;

FIG. 2 is a front view thereof, with the rear view being a mirror image thereof;

FIG. 3 is a left side elevational view thereof, with the right side elevational view being a mirror image thereof; and,

FIG. 4 is a top view thereof, with the bottom view being a mirror image thereof.

1 Claim, 2 Drawing Sheets



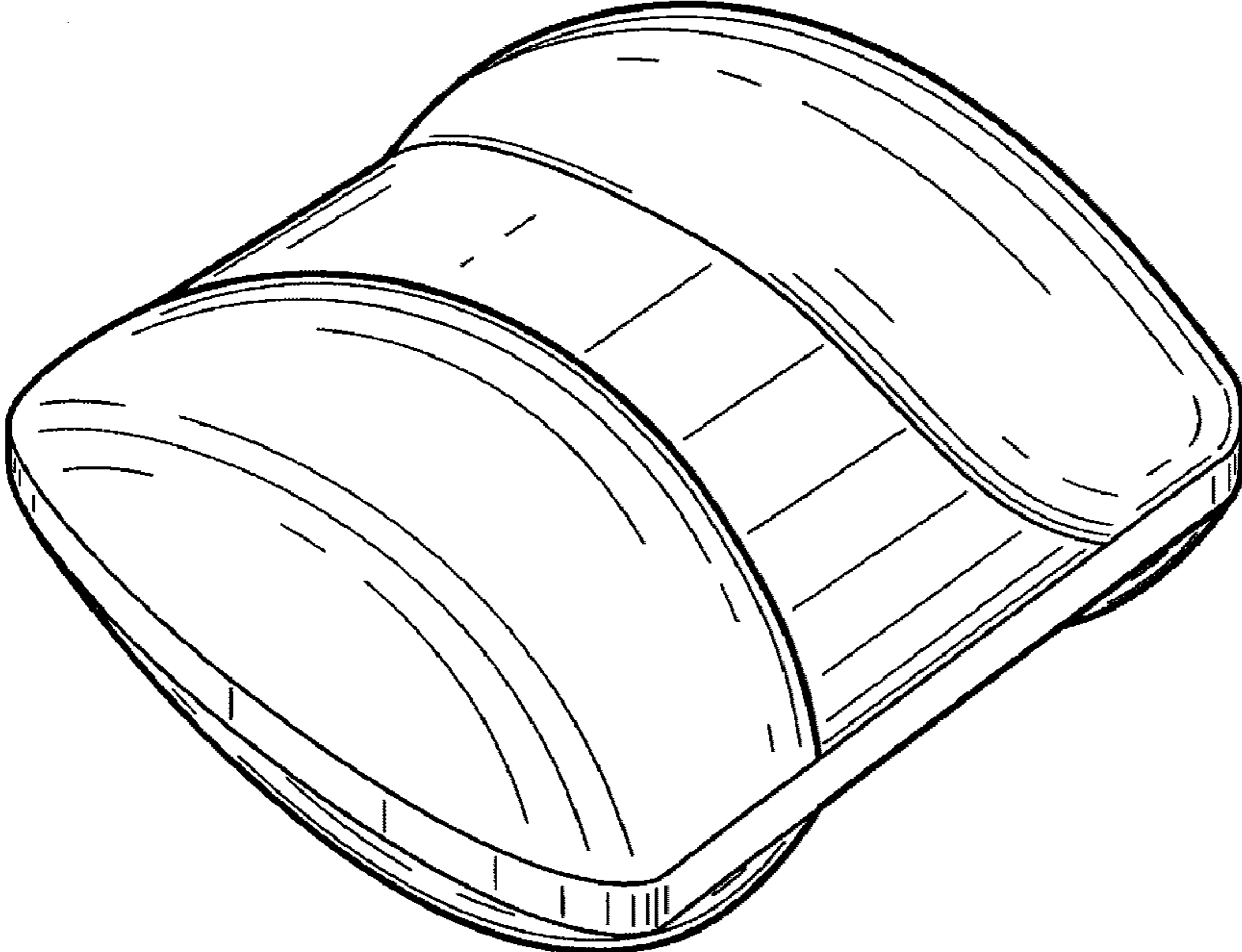


FIG. 1

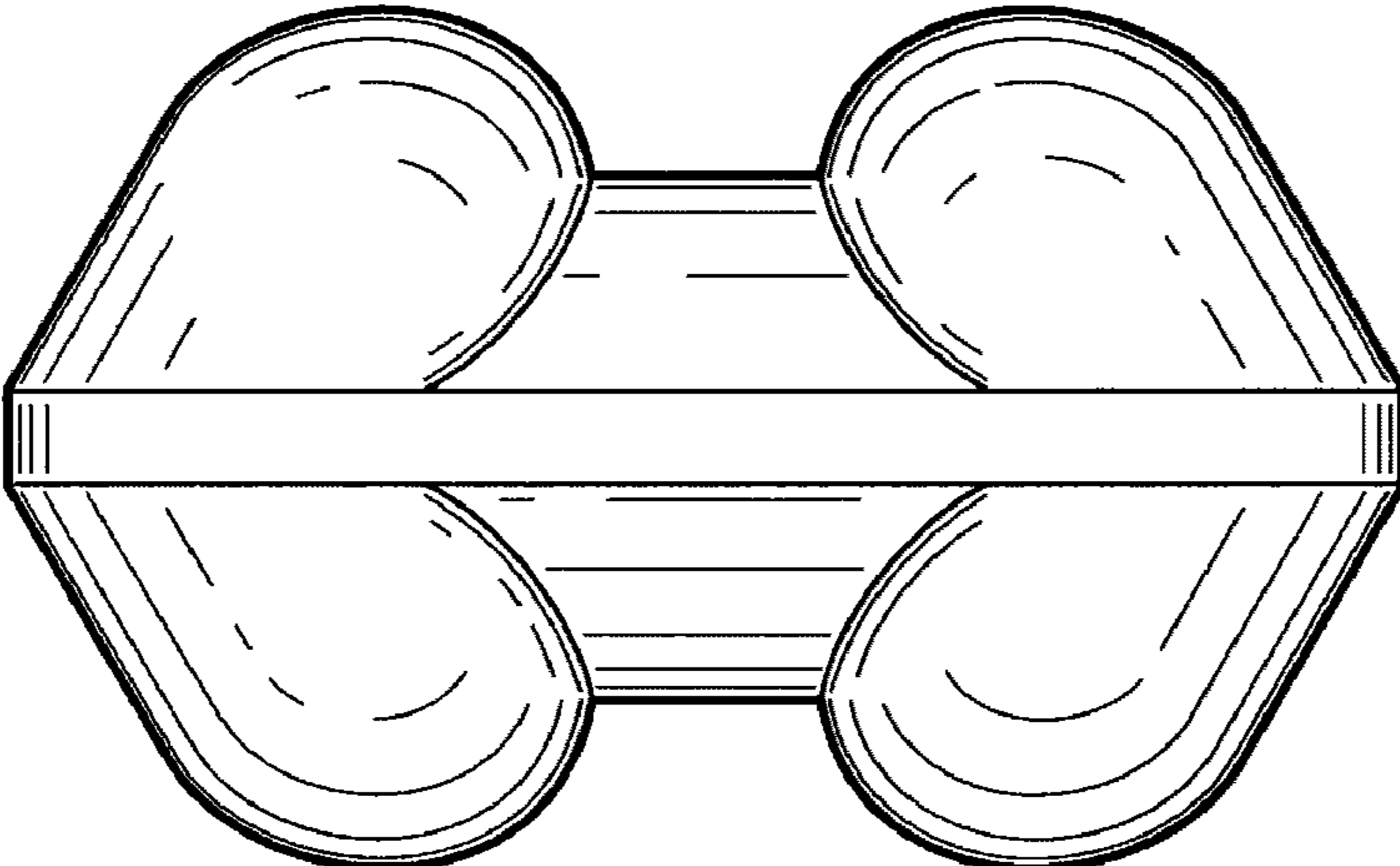


FIG. 2

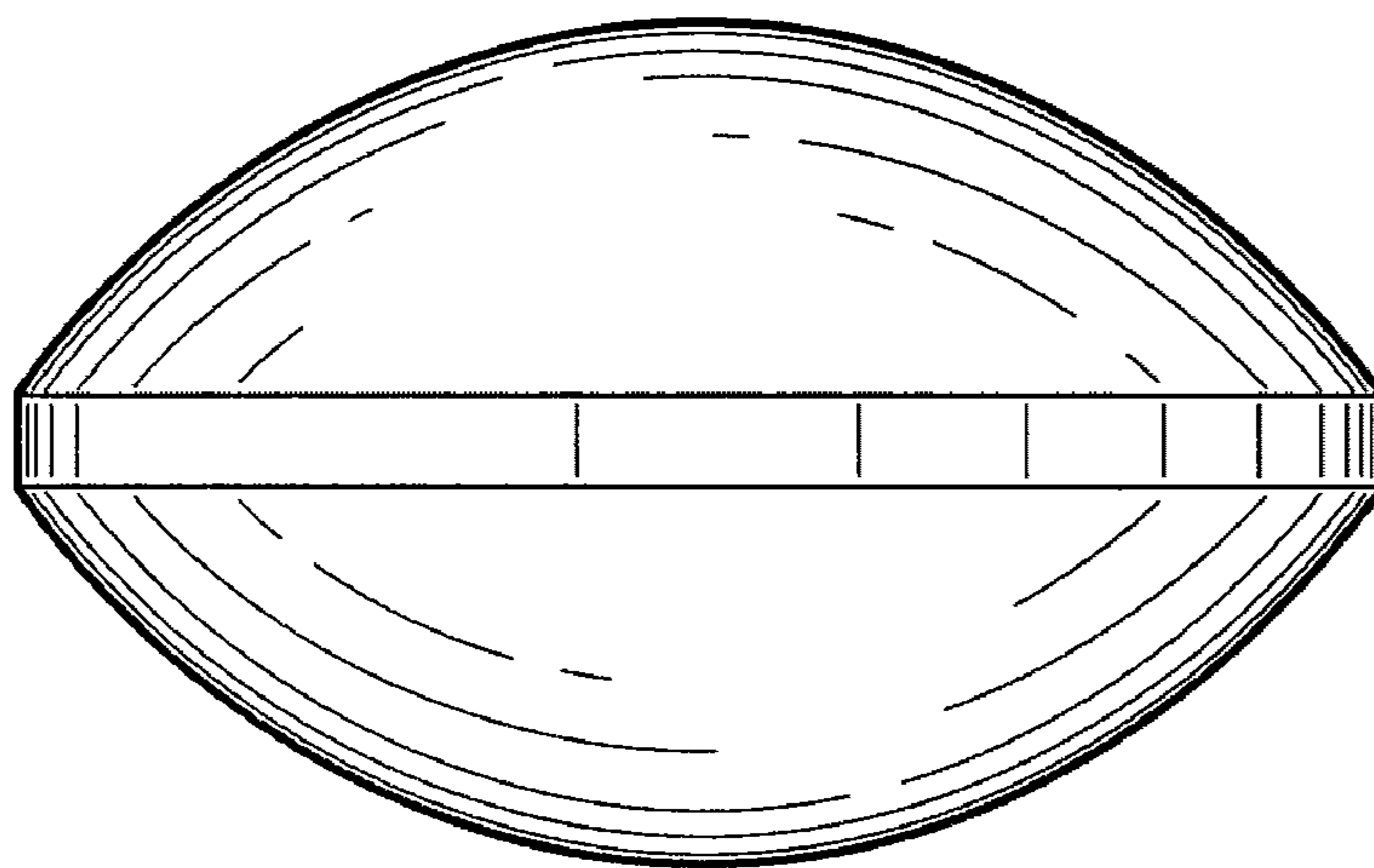


FIG. 3

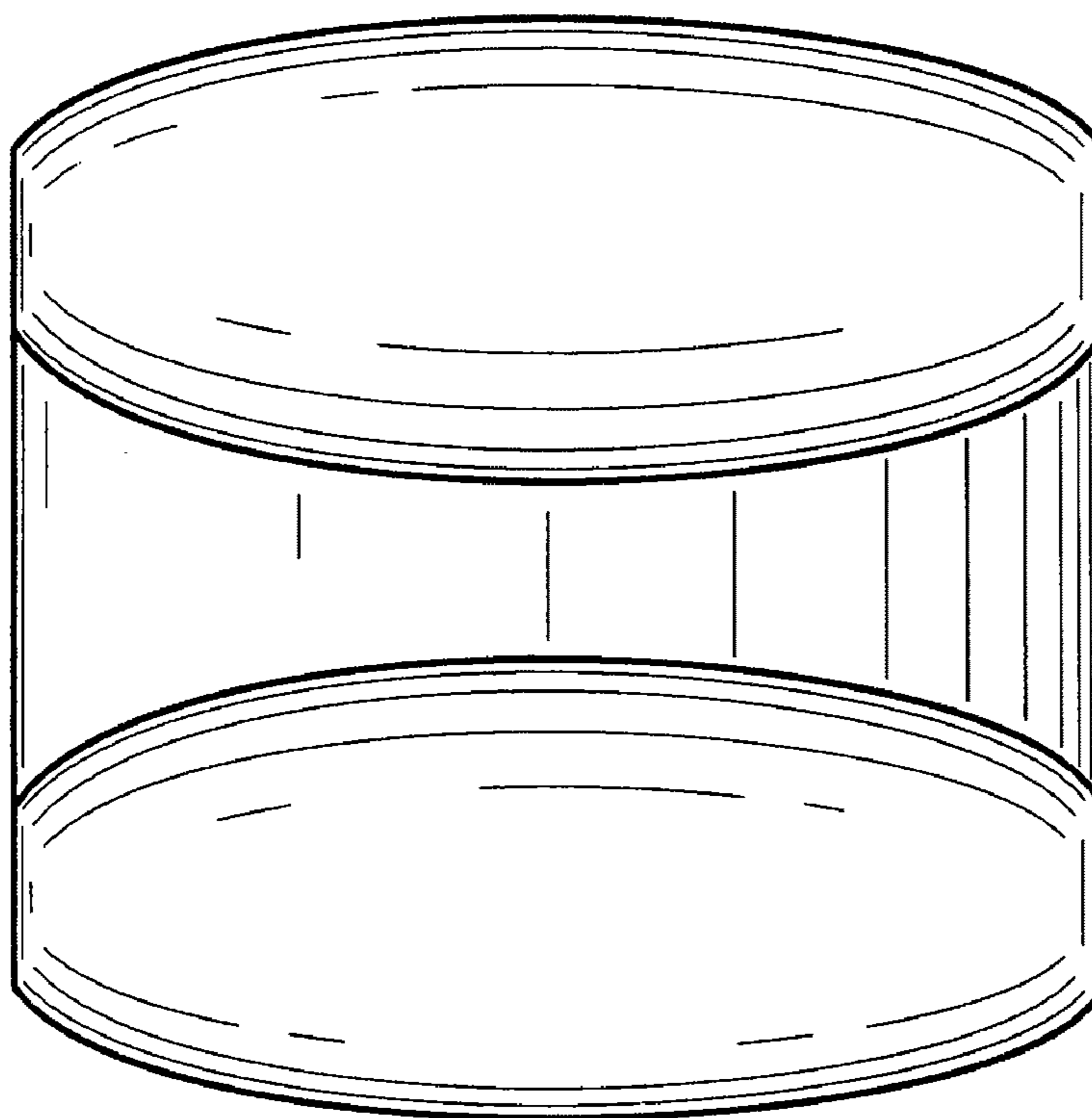


FIG. 4