



US00D635502S

(12) **United States Design Patent**
France

(10) **Patent No.:** **US D635,502 S**

(45) **Date of Patent:** **** Apr. 5, 2011**

(54) **CUP HOLDER**

(75) Inventor: **James Dominic France**, Auckland (NZ)

(73) Assignee: **Air New Zealand Limited**, Auckland (NZ)

(**) Term: **14 Years**

(21) Appl. No.: **29/363,943**

(22) Filed: **Jun. 16, 2010**

(30) **Foreign Application Priority Data**

Dec. 17, 2009 (NZ) 413130

(51) **LOC (9) Cl.** **12-16**

(52) **U.S. Cl.** **D12/420; D7/620**

(58) **Field of Classification Search** D7/619.1-625;
D12/419, 420; 248/311.2, 312, 332, 312.1,
248/240.1, 286.1, 316.4; 224/926, 281, 552;
297/188.17, 188.01

See application file for complete search history.

(56) **References Cited**

U.S. PATENT DOCUMENTS

5,297,767 A * 3/1994 Miller et al. 248/311.2
5,954,394 A 9/1999 Czyzewski
6,220,658 B1 4/2001 Lukawski et al.
6,279,992 B1 8/2001 Plocher et al.
6,409,137 B1 6/2002 Tran
6,464,187 B1 * 10/2002 Bieck et al. 248/311.2
6,575,542 B2 * 6/2003 Shimajiri 312/332

6,685,152 B2 * 2/2004 Shirase et al. 248/311.2
2006/0027617 A1 * 2/2006 Kogami et al. 224/483
2008/0121774 A1 5/2008 Johnson

FOREIGN PATENT DOCUMENTS

EP 0733510 12/2002
EP 1134116 12/2005
EP 1602528 12/2005
EP 0976609 3/2006
WO 2007100662 9/2007

* cited by examiner

Primary Examiner — Terry A Wallace

(74) *Attorney, Agent, or Firm* — Dann, Dorfman, Herrell and Skillman, P.C.

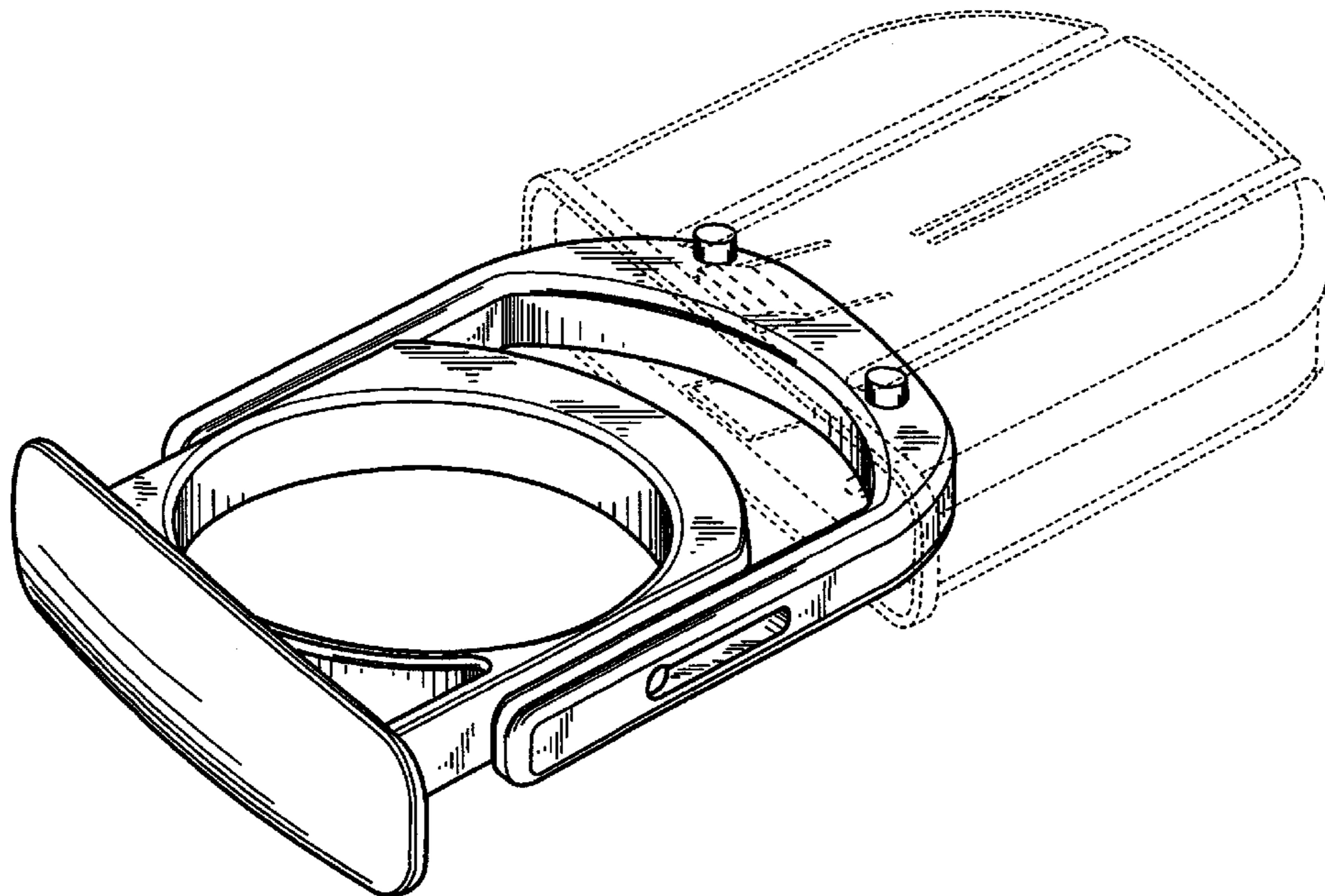
(57) **CLAIM**

I claim the ornamental design for a cup holder, as shown and described.

DESCRIPTION

FIG. 1 is a top front side perspective view of a cup holder embodying the design;
FIG. 2 is a top plan view of the cup holder;
FIG. 3 is a side elevation view of the cup holder;
FIG. 4 is a bottom plan view of the cup holder;
FIG. 5 is a top plan view of the cup holder in a partially closed position; and,
FIG. 6 is a top plan view of the cup holder in a fully closed position.
Features shown with broken lines form no part of the design to be patented.

1 Claim, 5 Drawing Sheets



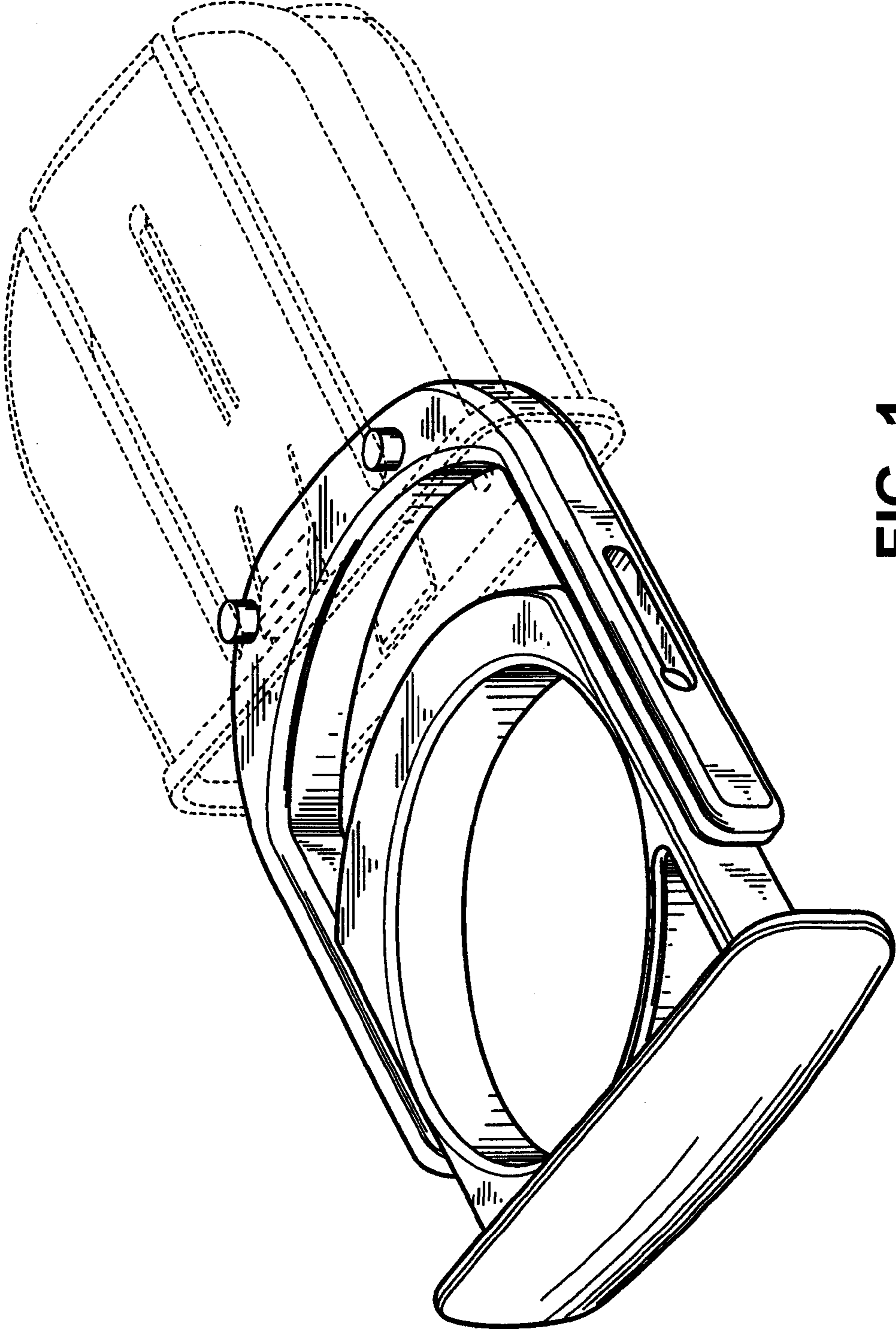


FIG. 1

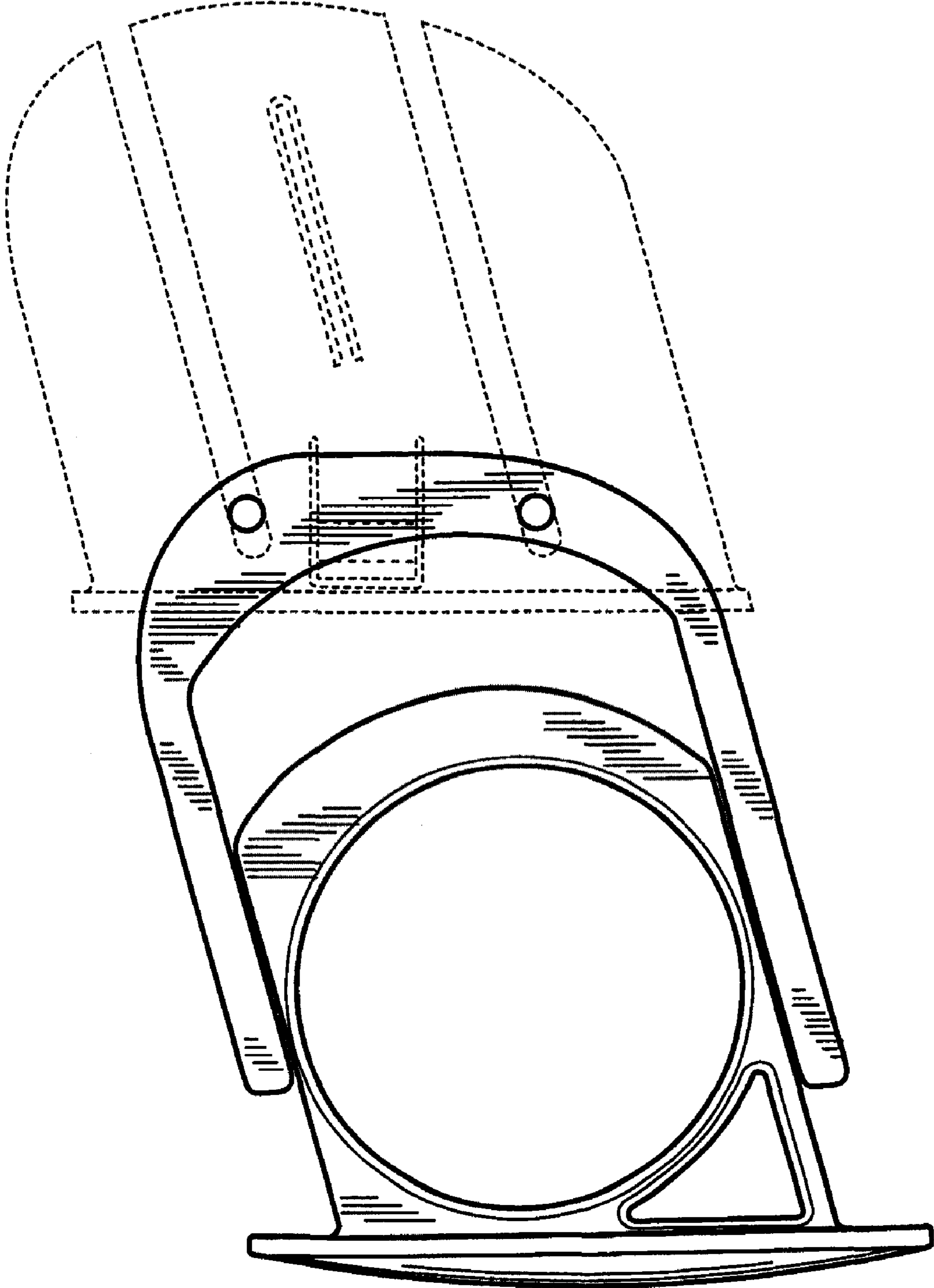


FIG. 2

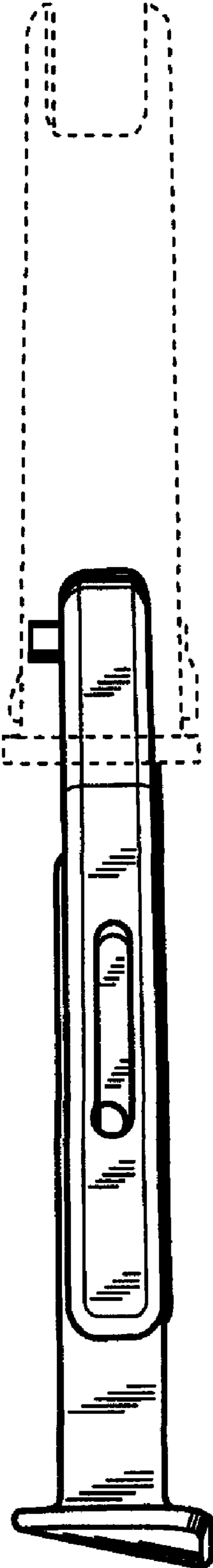


FIG. 3

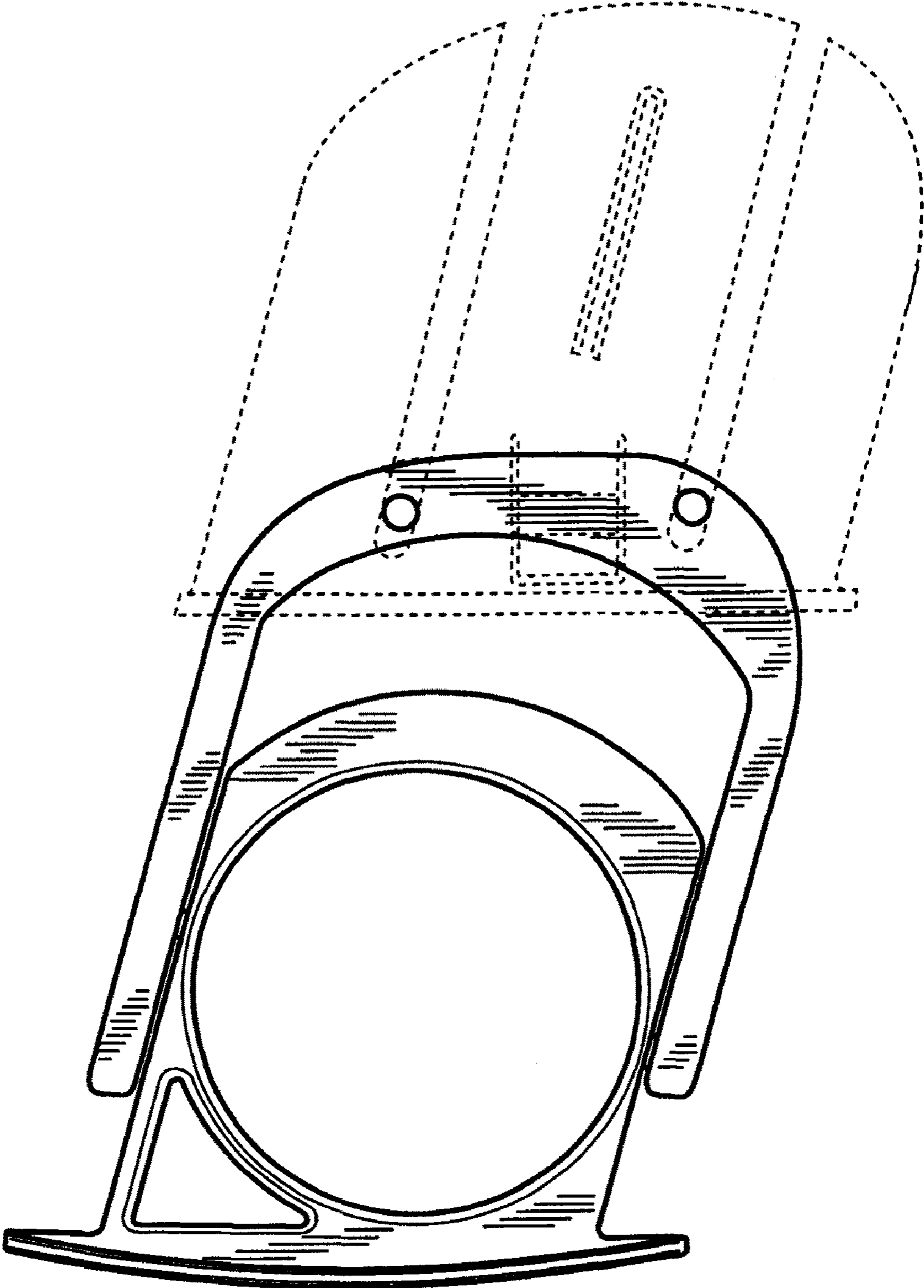


FIG. 4

