



US00D635499S

(12) **United States Design Patent**  
**Nissl**

(10) **Patent No.:** **US D635,499 S**

(45) **Date of Patent:** **\*\* Apr. 5, 2011**

(54) **WHEEL OR WHEEL COVER**

(75) **Inventor:** **Florian Dieter Nissl, Munich (DE)**

(73) **Assignee:** **Bayerische Motoren Werke  
Aktiengesellschaft, Munich (DE)**

(\*\*) **Term:** **14 Years**

(21) **Appl. No.:** **29/375,312**

(22) **Filed:** **Sep. 21, 2010**

(30) **Foreign Application Priority Data**

Mar. 22, 2010 (DE) ..... 40 201 000 1749

(51) **LOC (9) Cl.** ..... **12-16**

(52) **U.S. Cl.** ..... **D12/211**

(58) **Field of Classification Search** ..... D12/204–213;  
301/37.101, 64.101, 65, 64.201

See application file for complete search history.

(56) **References Cited**

**U.S. PATENT DOCUMENTS**

D499,686 S *	12/2004	Song	.....	D12/211
D516,489 S *	3/2006	Alonso	.....	D12/211
D522,954 S	6/2006	Hueller		
D526,947 S *	8/2006	Kim	.....	D12/209
D528,957 S *	9/2006	Kim	.....	D12/209
D528,959 S	9/2006	Sycha		
D531,949 S *	11/2006	Arora	.....	D12/209
D541,203 S *	4/2007	Sulahian	.....	D12/211
D541,724 S *	5/2007	Gallert	.....	D12/211
D567,738 S *	4/2008	Habib et al.	.....	D12/211
D568,800 S	5/2008	Huet		
D569,777 S *	5/2008	Chung	.....	D12/211
D578,053 S *	10/2008	Neeper	.....	D12/211
D583,742 S *	12/2008	Juergens et al.	.....	D12/211
D586,283 S *	2/2009	Chung	.....	D12/209
D593,922 S *	6/2009	Blasi	.....	D12/211
D598,357 S *	8/2009	Chung	.....	D12/211

D617,719 S *	6/2010	Zhao	.....	D12/211
D619,952 S *	7/2010	Juergens et al.	.....	D12/211
D620,870 S *	8/2010	Powell	.....	D12/211
D621,770 S	8/2010	Pollmann		
D622,649 S *	8/2010	Weil	.....	D12/209
D624,862 S *	10/2010	Zhao	.....	D12/209

**FOREIGN PATENT DOCUMENTS**

EM	000485305-0003	6/2006
EM	000398052-0002	8/2006
EM	000754593-0005	9/2007
EM	000861042-0001	3/2008
EM	000997572-0005	10/2008
EM	001558883-0007	4/2010
EM	001693599-0001	4/2010
EM	001693599-0005	4/2010
EM	001658154-0002	5/2010

\* cited by examiner

*Primary Examiner* — Stacia Cadmus

(74) *Attorney, Agent, or Firm* — Crowell & Moring LLP

(57) **CLAIM**

The ornamental design for a wheel or wheel cover, as shown and described.

**DESCRIPTION**

This application contains subject matter related to the following co-pending U.S. design patent applications:

Application Ser. No. 29/361,064, filed May 5, 2010 and entitled "Wheel or Wheel Cover;" and

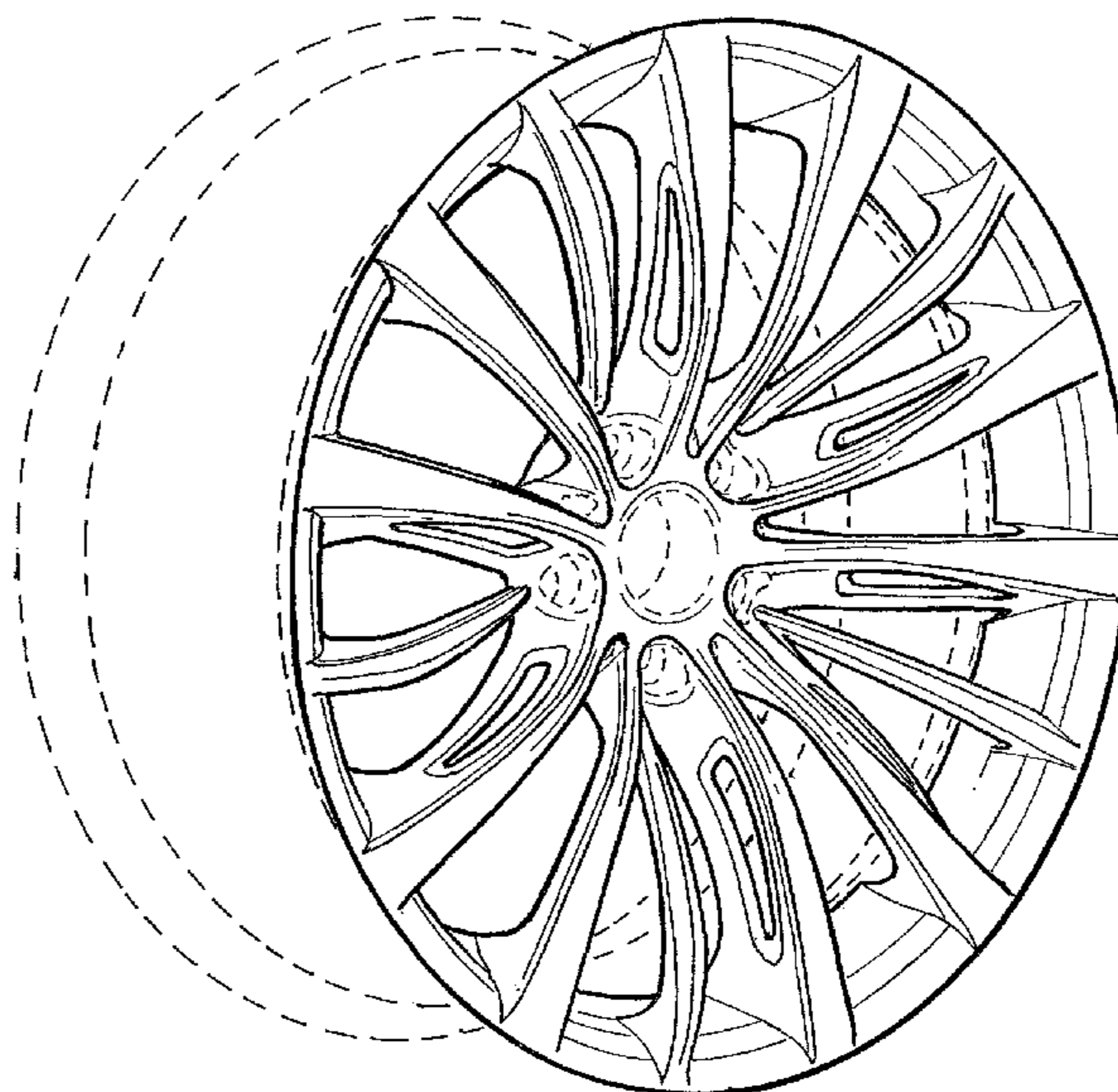
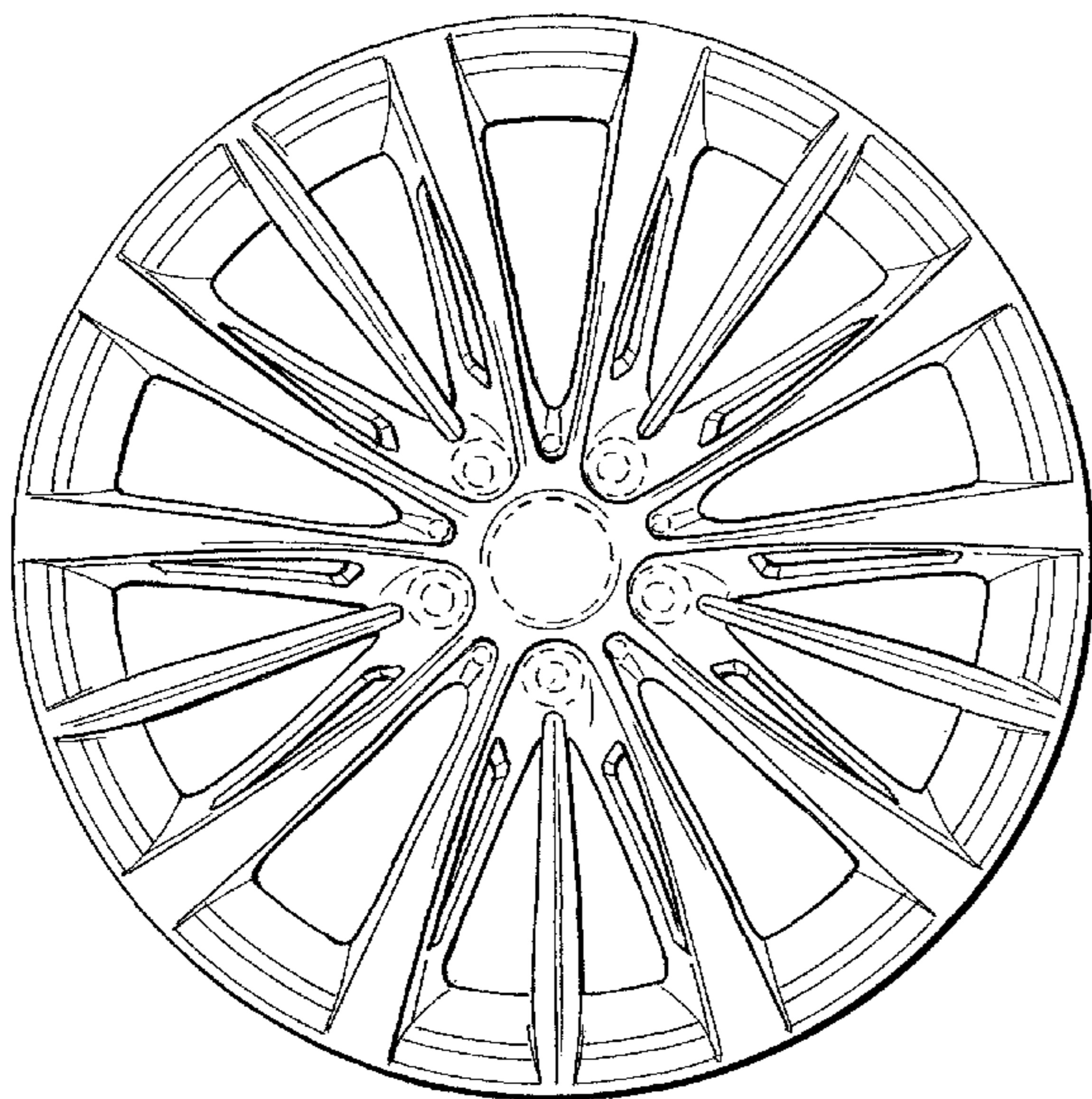
Application Ser. No. 29/361,068, filed May 5, 2010 and entitled "Wheel or Wheel Cover."

FIG. 1 is a front view of a wheel or wheel cover according to my design; and,

FIG. 2 is a perspective view thereof.

The broken line showing of the rear of the rim and the bolt holes and center hole in the central hub area is included for the purpose of illustrating environment and forms no part of the claimed design.

**1 Claim, 1 Drawing Sheet**



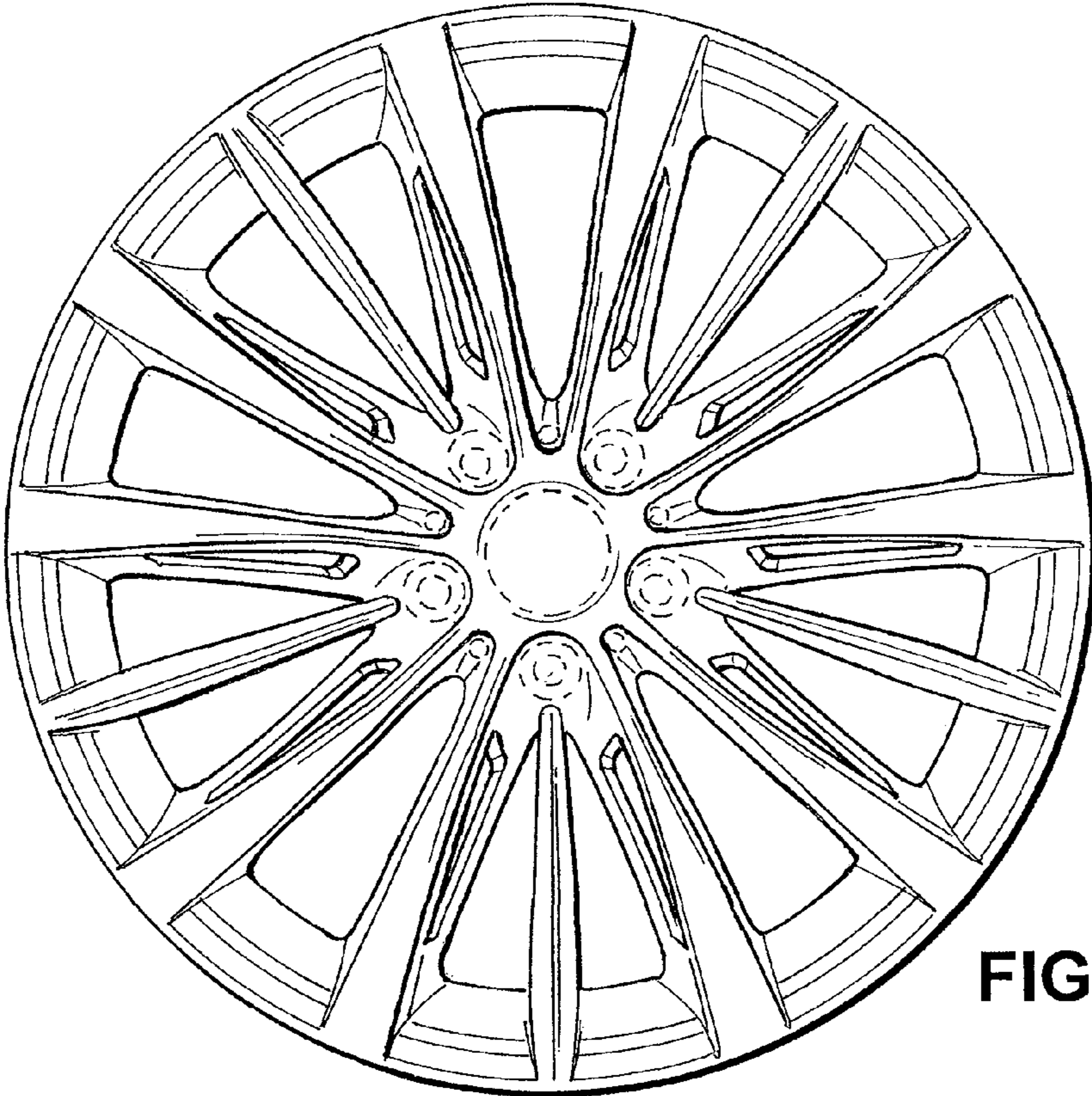


FIG. 1

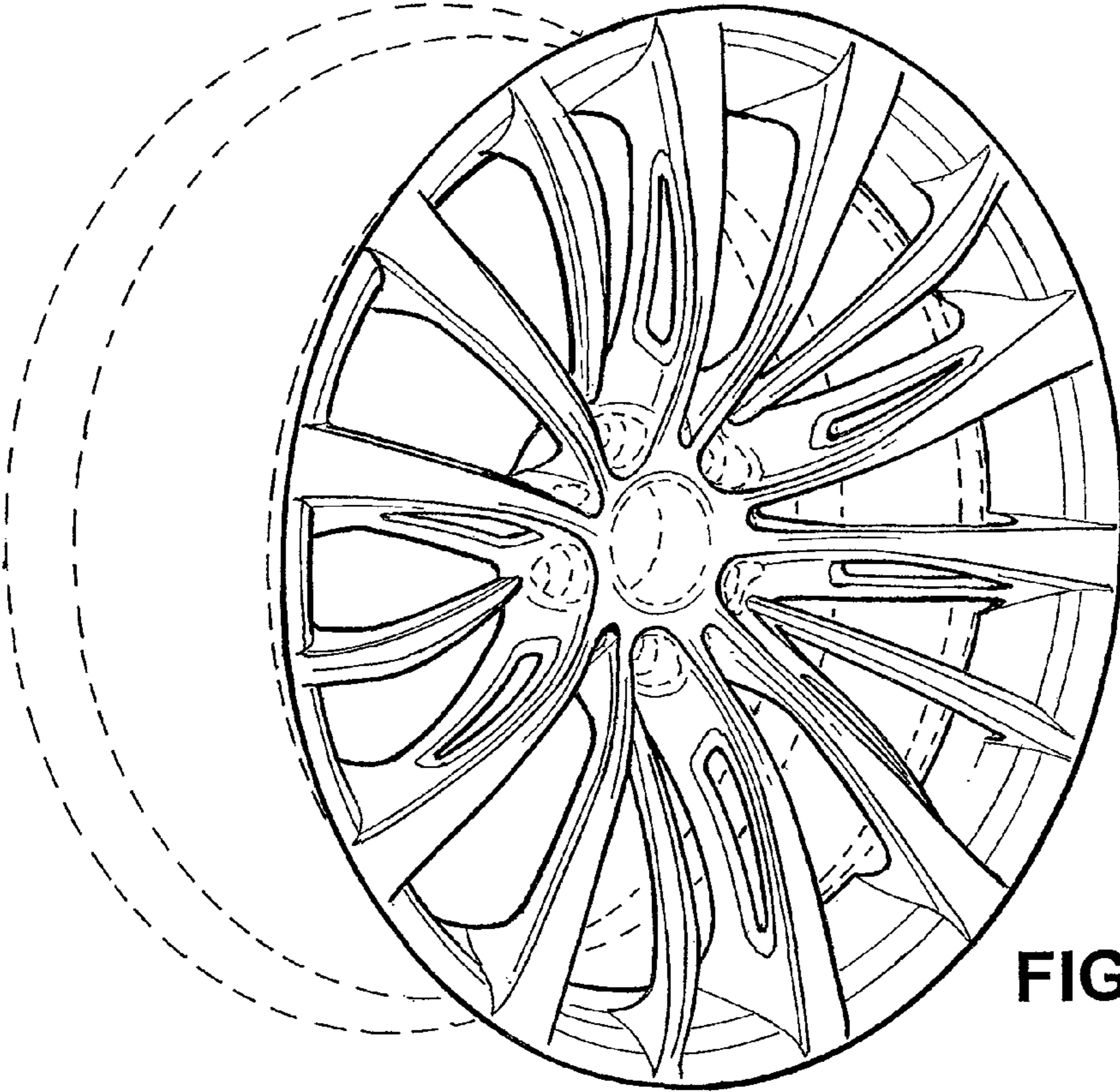


FIG. 2