



US00D635498S

(12) **United States Design Patent**
Lemon

(10) **Patent No.:** **US D635,498 S**

(45) **Date of Patent:** **** *Apr. 5, 2011**

(54) **EXHAUST PIPE AND RUNNING BOARD SET FOR A MINI VAN**

(76) Inventor: **Shawna Cannon Lemon**, Morrisville, NC (US)

(*) Notice: This patent is subject to a terminal disclaimer.

(**) Term: **14 Years**

(21) Appl. No.: **29/312,791**

(22) Filed: **Nov. 13, 2008**

Related U.S. Application Data

(63) Continuation-in-part of application No. 29/312,543, filed on Oct. 29, 2008, now Pat. No. Des. 619,067.

(51) **LOC (9) Cl.** **12-16**

(52) **U.S. Cl.** **D12/194**

(58) **Field of Classification Search** D12/194;
138/37-39, 44, 103, 109; 180/89.2, 296,
180/309; 181/227, 228, 239-241, 247-249,
181/264, 282; 29/890.08; D15/5; 60/303,
60/313, 323; 293/113

See application file for complete search history.

(56) **References Cited**

U.S. PATENT DOCUMENTS

4,478,310	A *	10/1984	Harter	181/241
5,108,333	A *	4/1992	Heider et al.	445/26
5,198,625	A *	3/1993	Borla	181/248
5,200,582	A *	4/1993	Kraai et al.	181/256
D435,815	S *	1/2001	Larson	D12/169
6,196,351	B1 *	3/2001	Clokey et al.	181/252

(Continued)

FOREIGN PATENT DOCUMENTS

EP 271465 A2 * 6/1988

(Continued)

OTHER PUBLICATIONS

<http://www.grounddynamics.com> (95-98 Honda Odyssey Body Kits) (viewed Apr. 28, 2009).

(Continued)

Primary Examiner — T. Chase Nelson
Assistant Examiner — Michael A Pratt

(57) **CLAIM**

The ornamental design for exhaust pipe and running board set for a mini van, substantially as shown and described.

DESCRIPTION

FIG. 1 is a partial perspective view of the first embodiment of the present design showing of the exhaust pipe and running board set for a mini van;

FIG. 2 is a rear view thereof;

FIG. 3 is a side view thereof, the opposite side being a mirror image thereof;

FIG. 4 is a partial perspective view of a second embodiment of the present design;

FIG. 5 is a rear view of the embodiment of FIG. 4;

FIG. 6 is a partial perspective view of a third embodiment of the present design;

FIG. 7 is a rear view of the embodiment of FIG. 6;

FIG. 8 is a partial perspective view of a fourth embodiment of the present design;

FIG. 9 is a rear view of the embodiment of FIG. 8;

FIG. 10 is a top view of the embodiment of FIGS. 1, 4, 6, 8, 11, and 13;

FIG. 11 is a partial perspective view of a fifth embodiment of the present design;

FIG. 12 is rear view of the embodiment of FIG. 13;

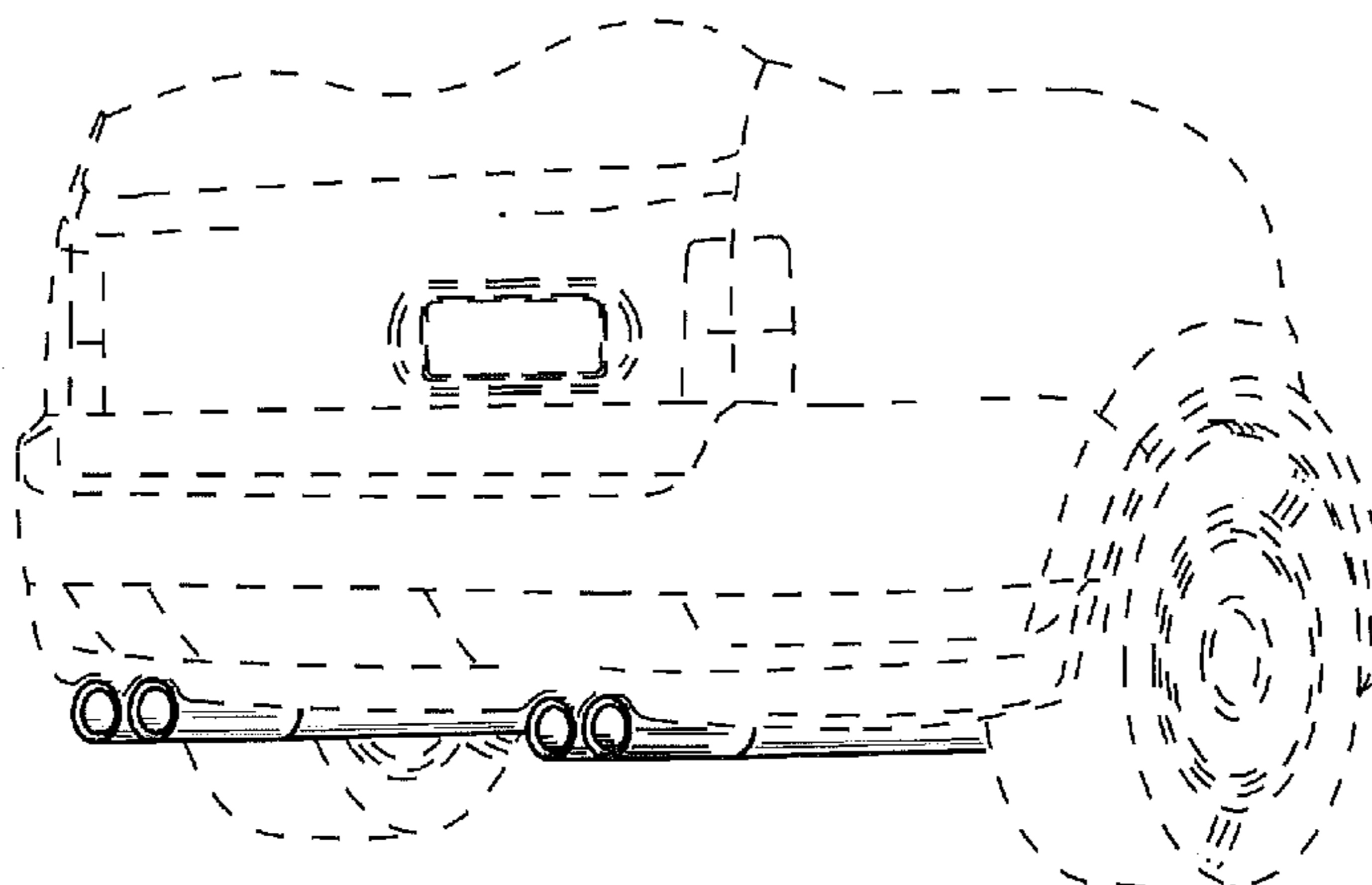
FIG. 13 is a partial perspective view of a sixth embodiment of the present design;

FIG. 14 is a rear view of the embodiment of FIG. 15; and,

FIG. 15 is a side view of the embodiments of FIGS. 4, 6, 8, 11 and 13 the opposite side being a mirror image.

The bottom view is disclaimed herein. Portions of the design shown in broken/dashed lines are for illustrative purposes only and form no part of the claimed design. The illustrated article is not limited to the scale shown.

1 Claim, 9 Drawing Sheets



US D635,498 S

Page 2

U.S. PATENT DOCUMENTS

D467,209 S * 12/2002 Burns D12/194
D488,114 S * 4/2004 Kulla D12/194
D488,755 S * 4/2004 Kulla D12/194
7,007,720 B1 * 3/2006 Chase et al. 138/110
D534,469 S * 1/2007 Murkett D12/194
D534,848 S * 1/2007 Murkett D12/194
D539,715 S * 4/2007 Lai D12/194
D540,231 S * 4/2007 Braun et al. D12/194
7,243,757 B2 * 7/2007 Stuber 181/270
D553,062 S * 10/2007 Murkett D12/194
D558,111 S * 12/2007 Banks, III D12/194
D559,753 S * 1/2008 Pfeiffer D12/194
D573,521 S * 7/2008 Hsu D12/194
D578,050 S * 10/2008 Hsu D12/194
D579,392 S * 10/2008 Saracoglu D12/194
2004/0050618 A1 * 3/2004 Marocco 181/248
2005/0161283 A1 * 7/2005 Emler 181/249
2009/0127025 A1 * 5/2009 Rimback 181/282

FOREIGN PATENT DOCUMENTS

JP 59183018 A * 10/1984
JP 61040409 A * 2/1986

OTHER PUBLICATIONS

<http://www.grounddynamics.com> (99-03 Honda Odyssey Body Kits) (viewed Apr. 28, 2009).
09 Honda Odyssey brochure, American Honda Motor Co., Inc. (USA 2008).
2009 SUVs Mercedes-Benz brochure, Mercedes Benz USA, LLC (Montvale, NJ 2008).
2009 Routan Das Auto brochure, Volkswagen of America (USA 2008).
Sienna 09 brochure, Toyota Motor Sales (USA 2008).
2008 Chrysler Town & Country brochure (USA 2007).
08 Dodge Grand Caravan brochure (USA 2008).
08 Honda Odyssey brochure, American Honda Motor Co., Inc. (USA 2007).
2008 Hyundai Entourage brochure (USA 2007).
08.Sedona brochure.
Mercedes-Benz SUVs 2008 brochure, Mercedes Benz USA, LLC (Montvale, NJ 2007).
2008 Nissan Quest brochure (USA).
Paul Hochman, Pimp out your family minivan with accessories, MSNBC.com (Sep. 27, 2006).

* cited by examiner

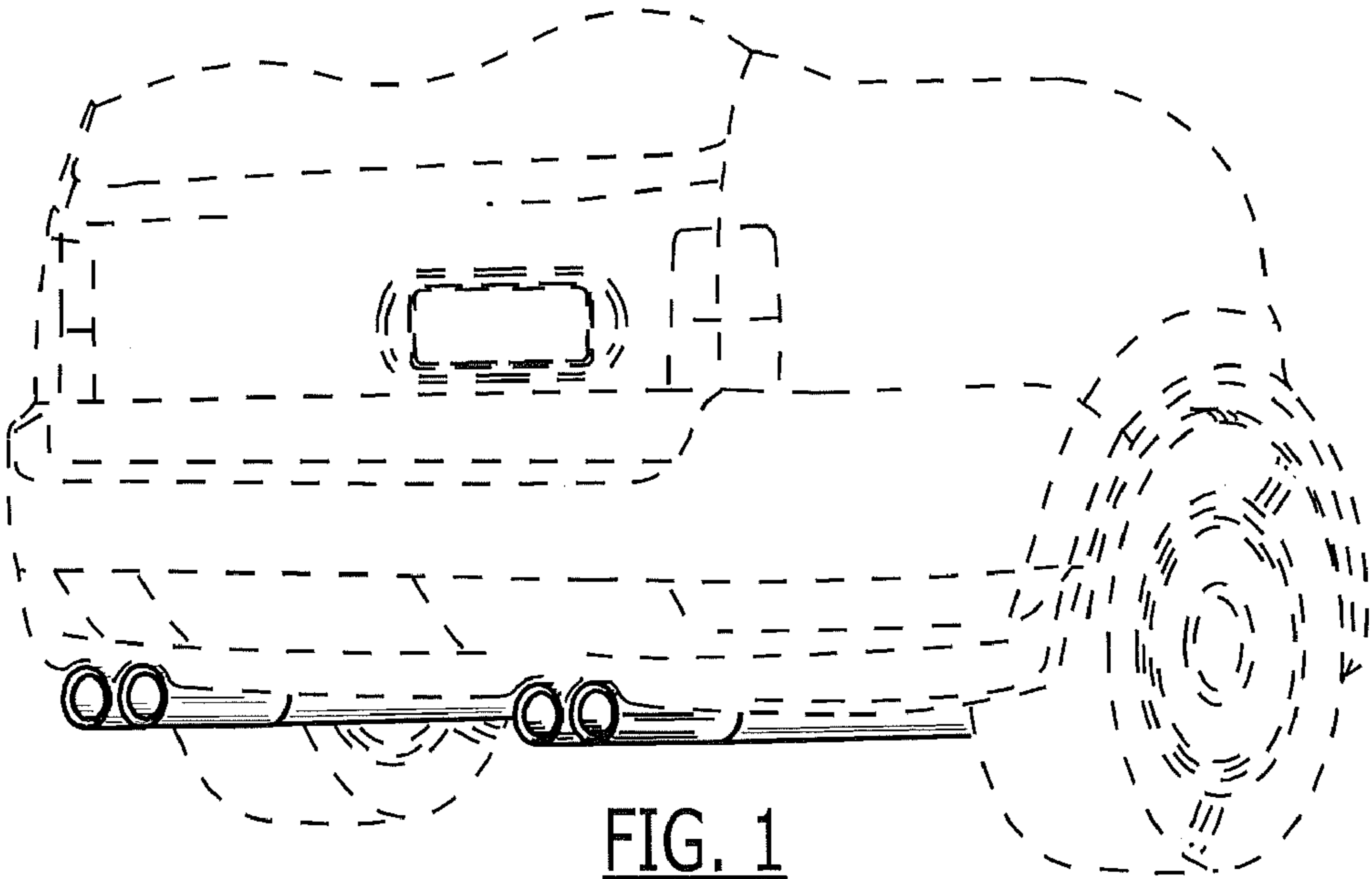


FIG. 1

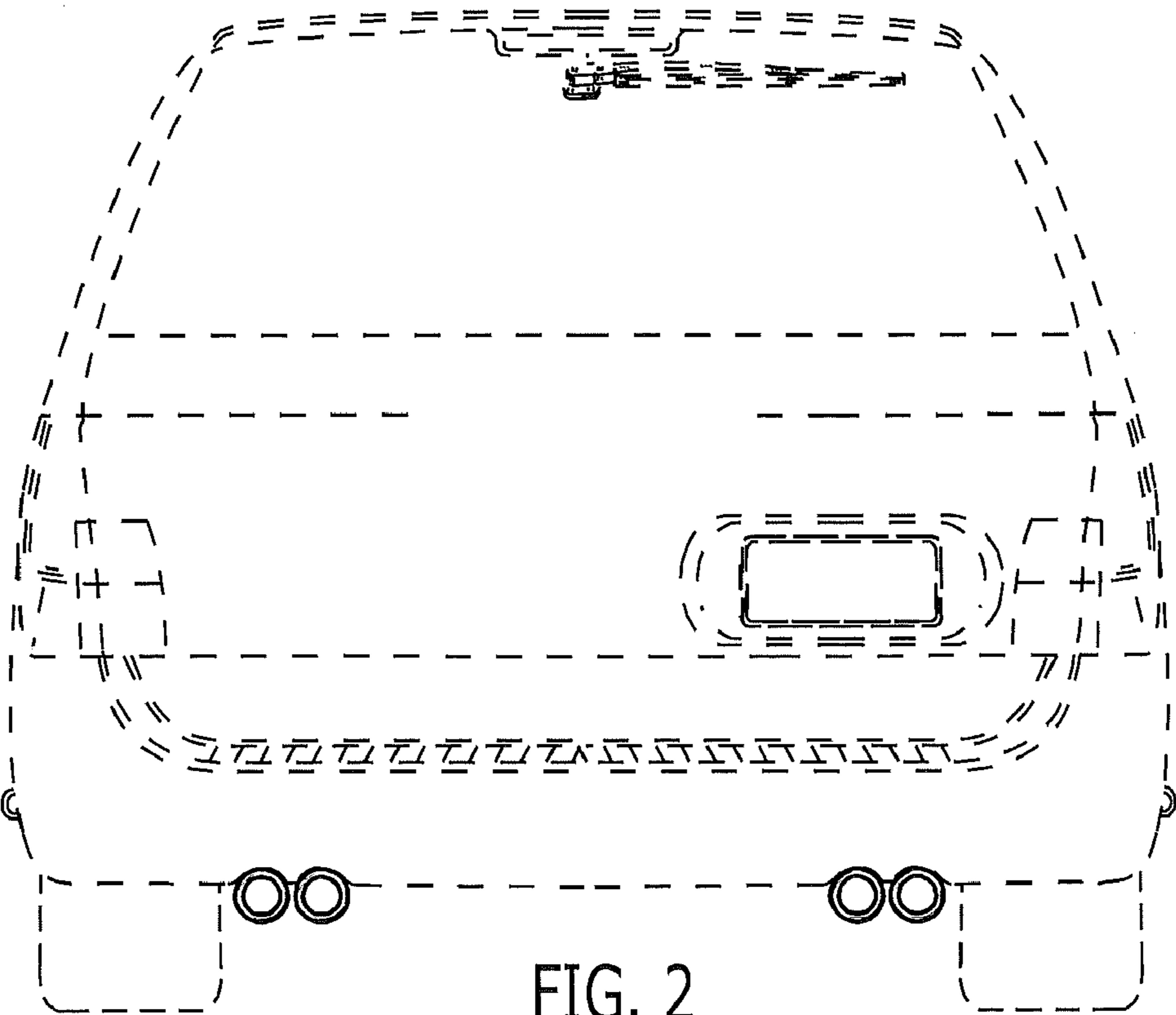


FIG. 2

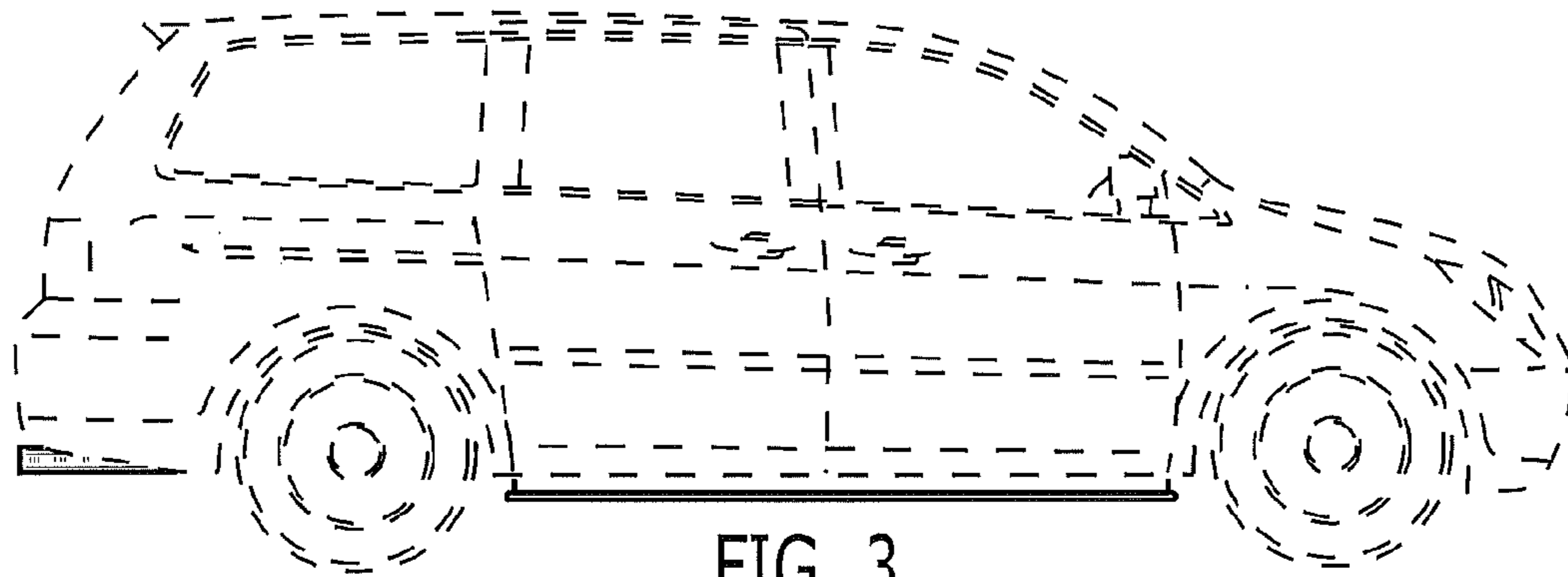


FIG. 3

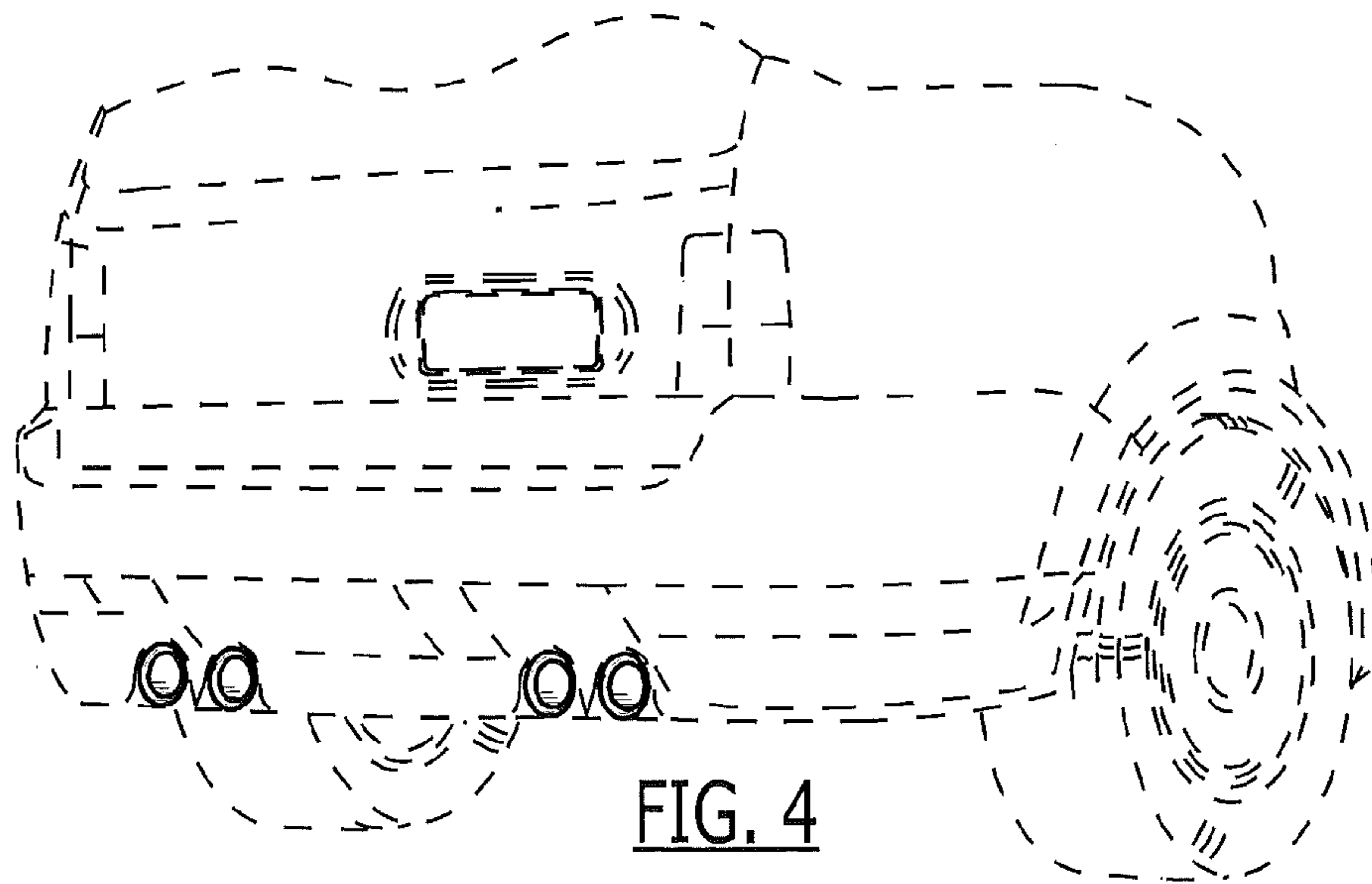


FIG. 4

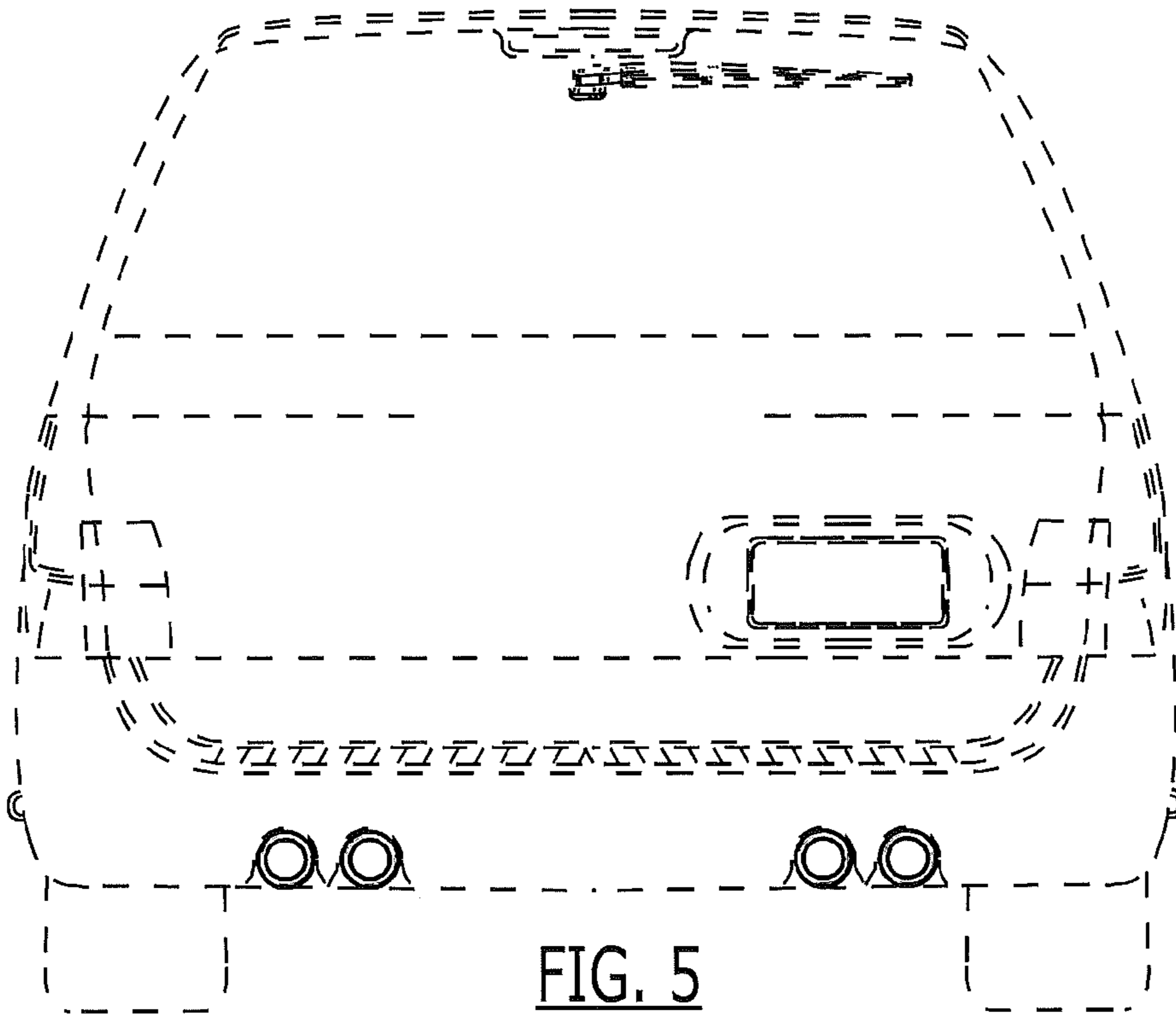


FIG. 5

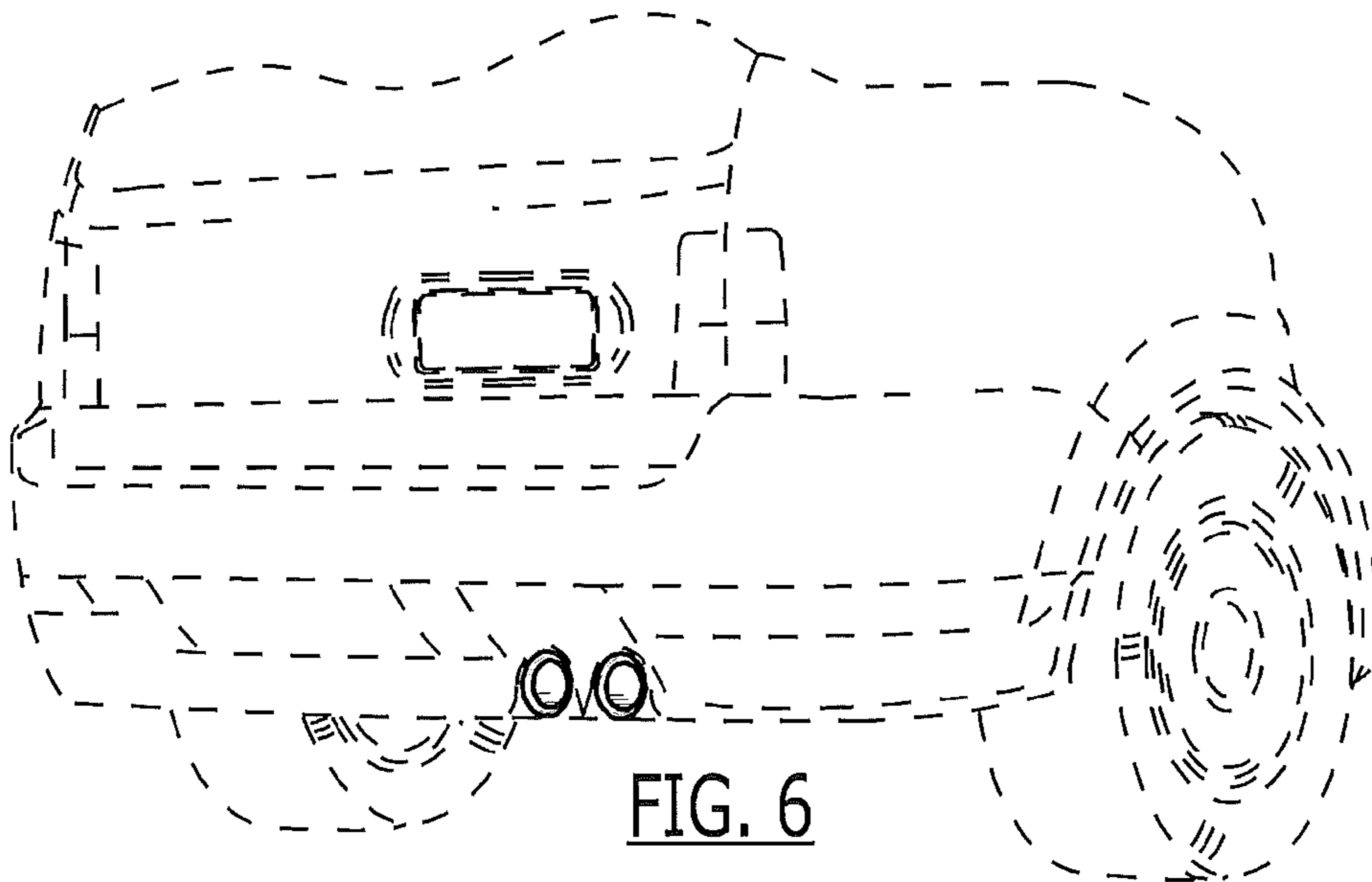
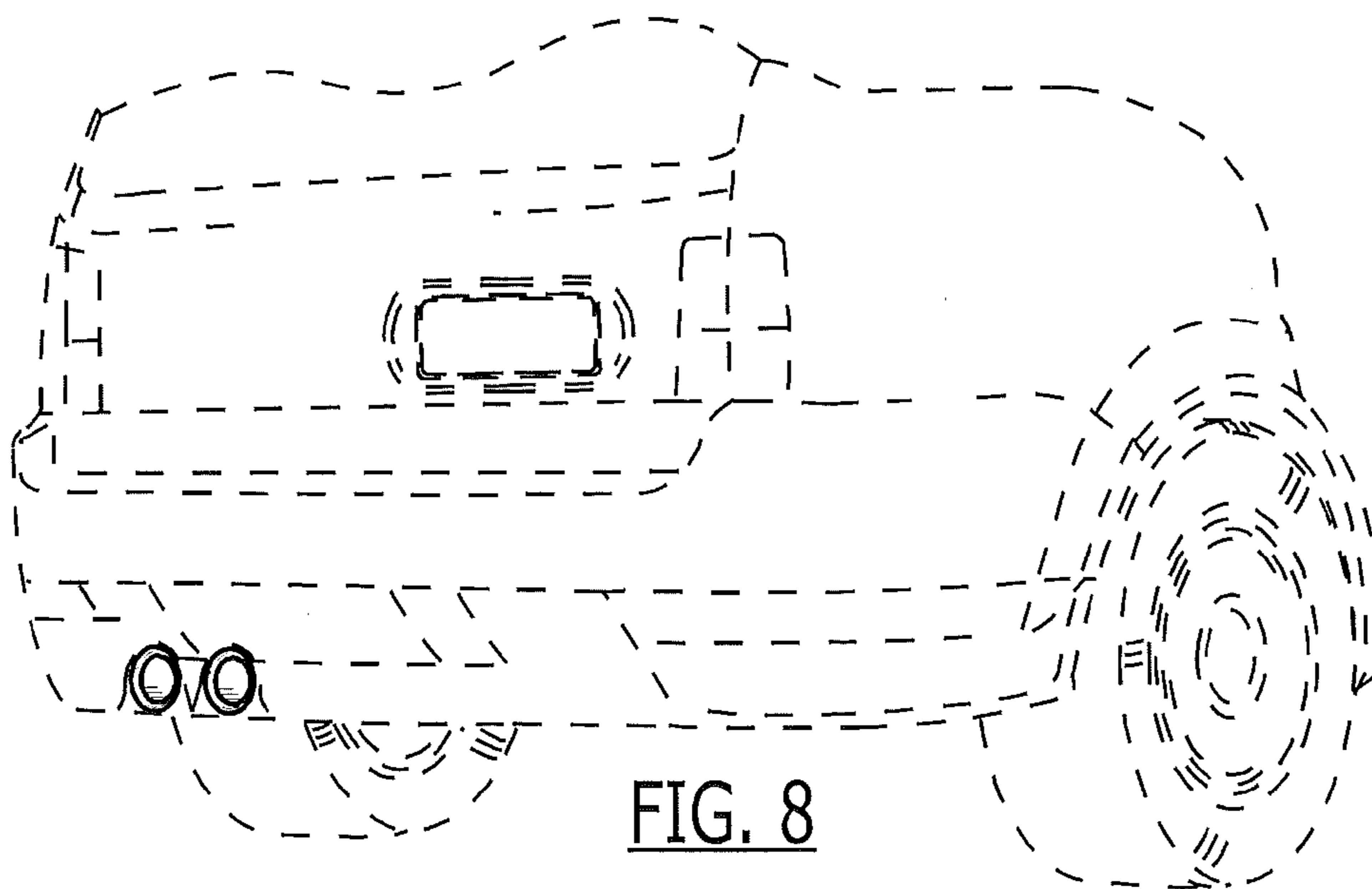
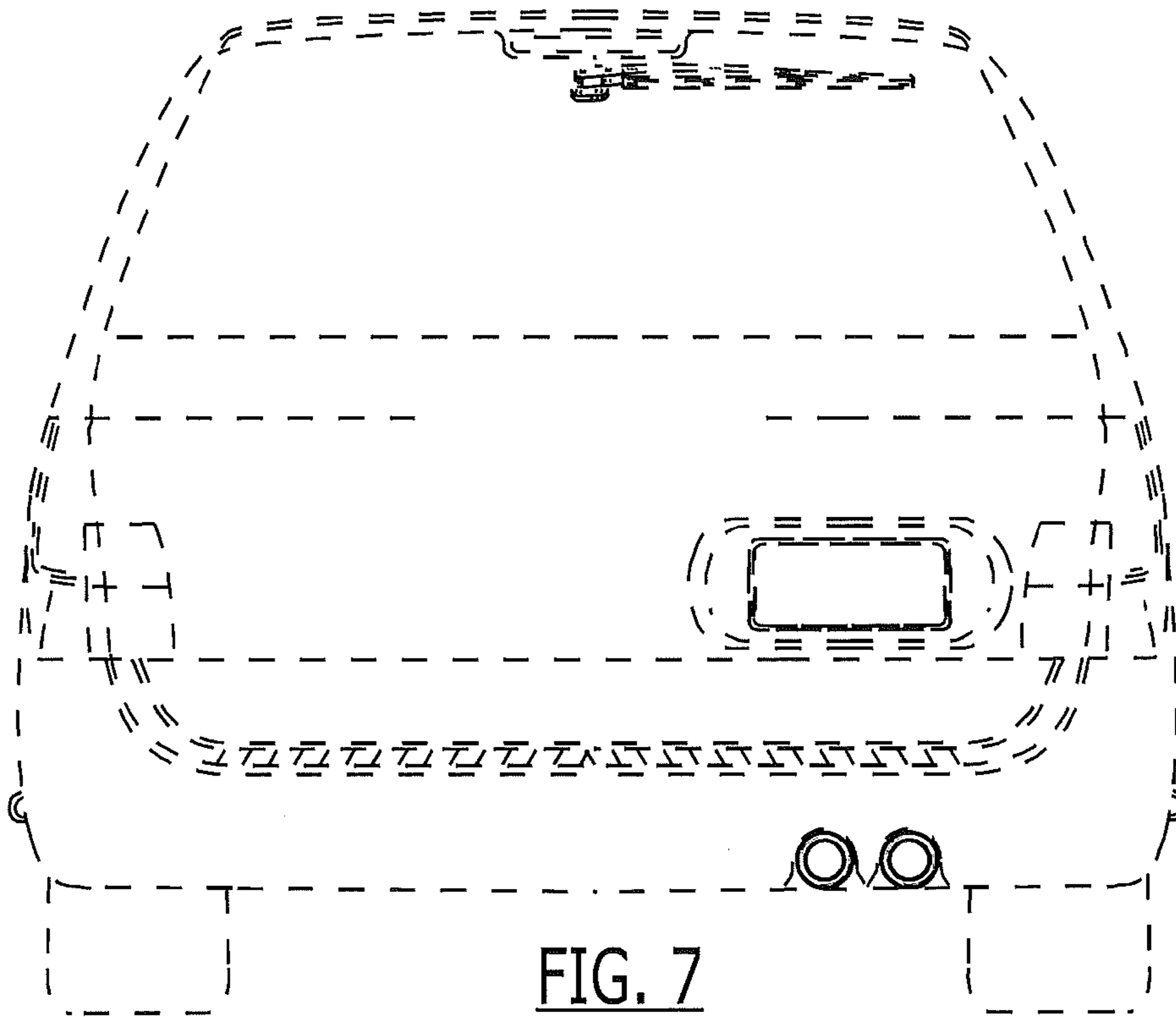


FIG. 6



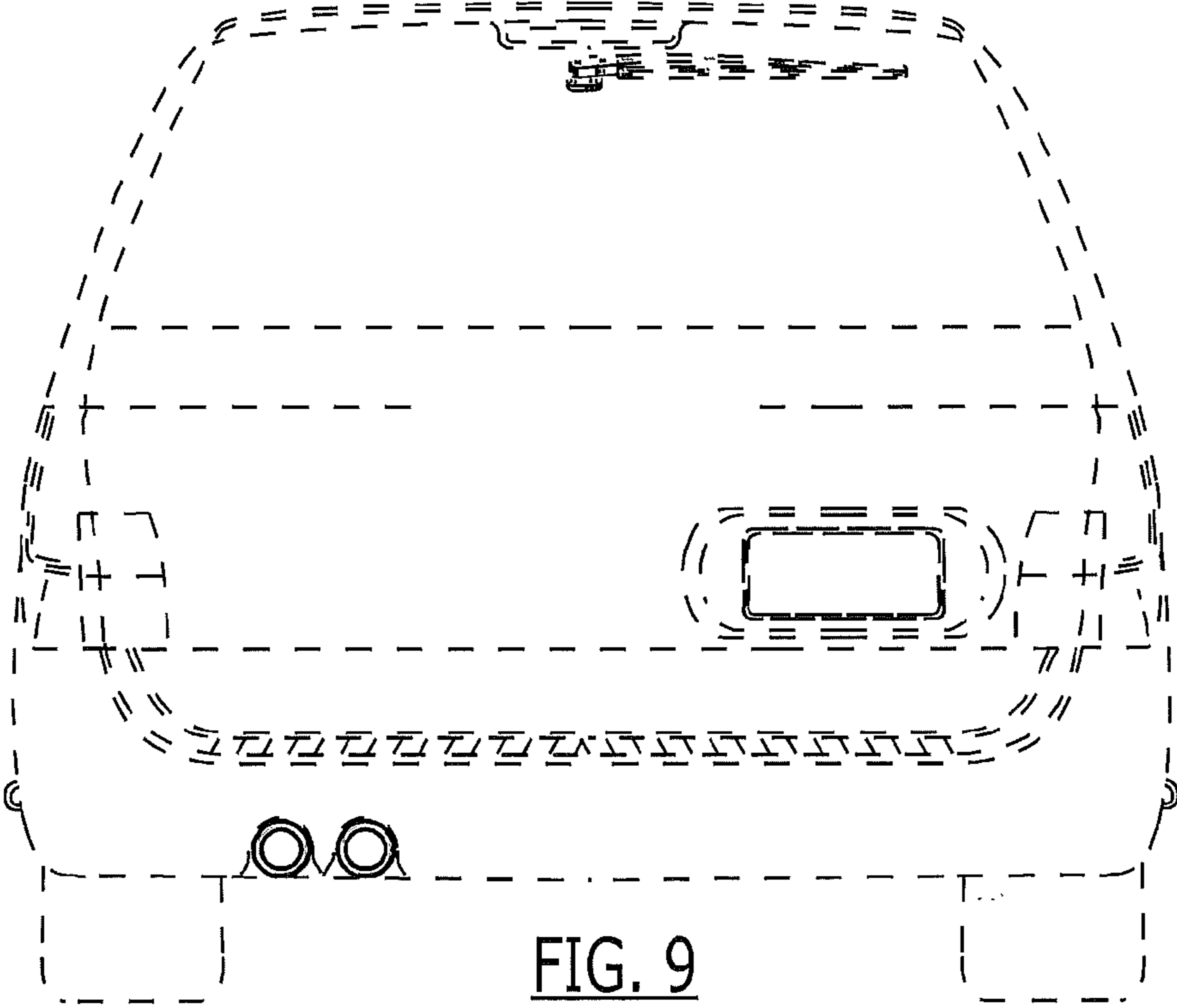


FIG. 9

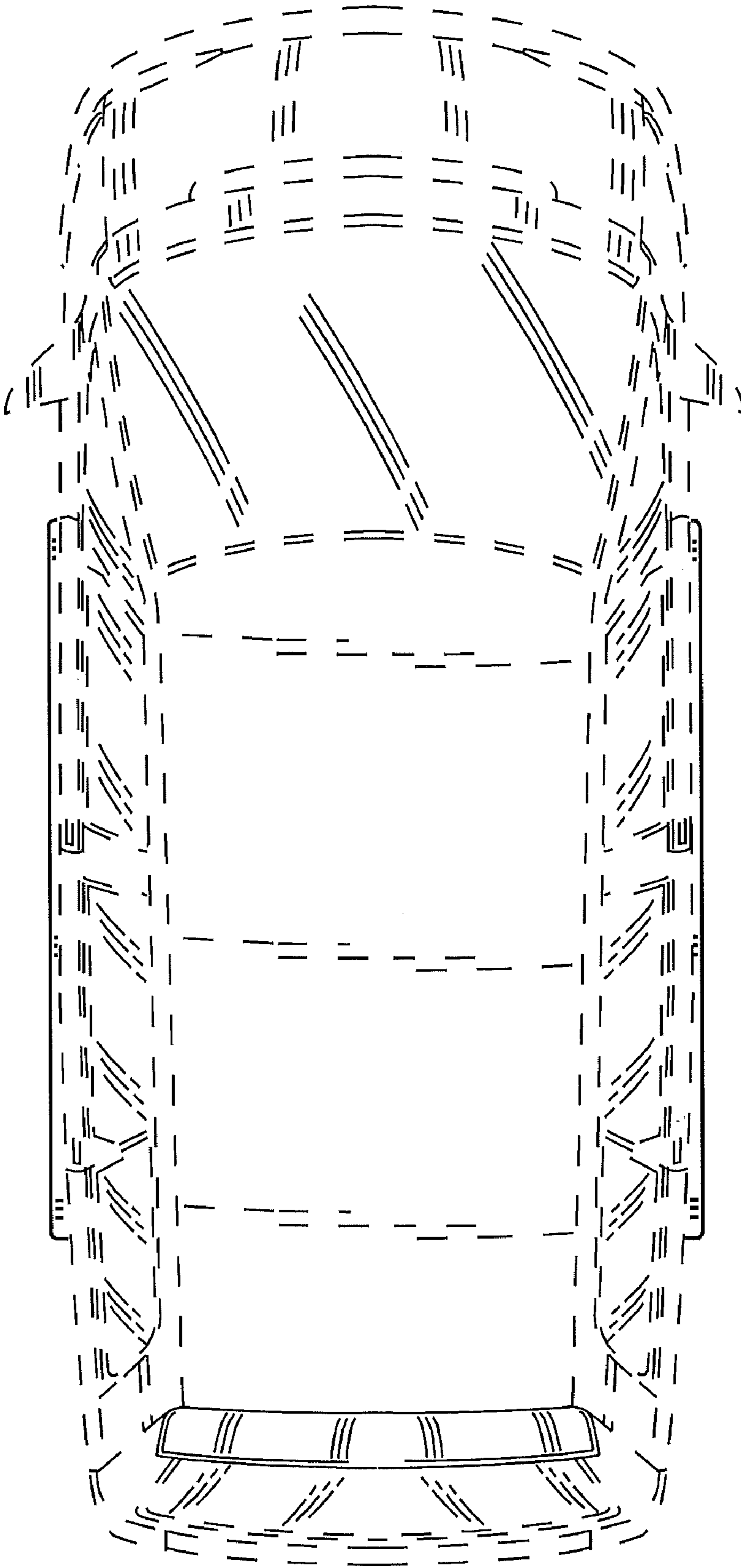


FIG. 10

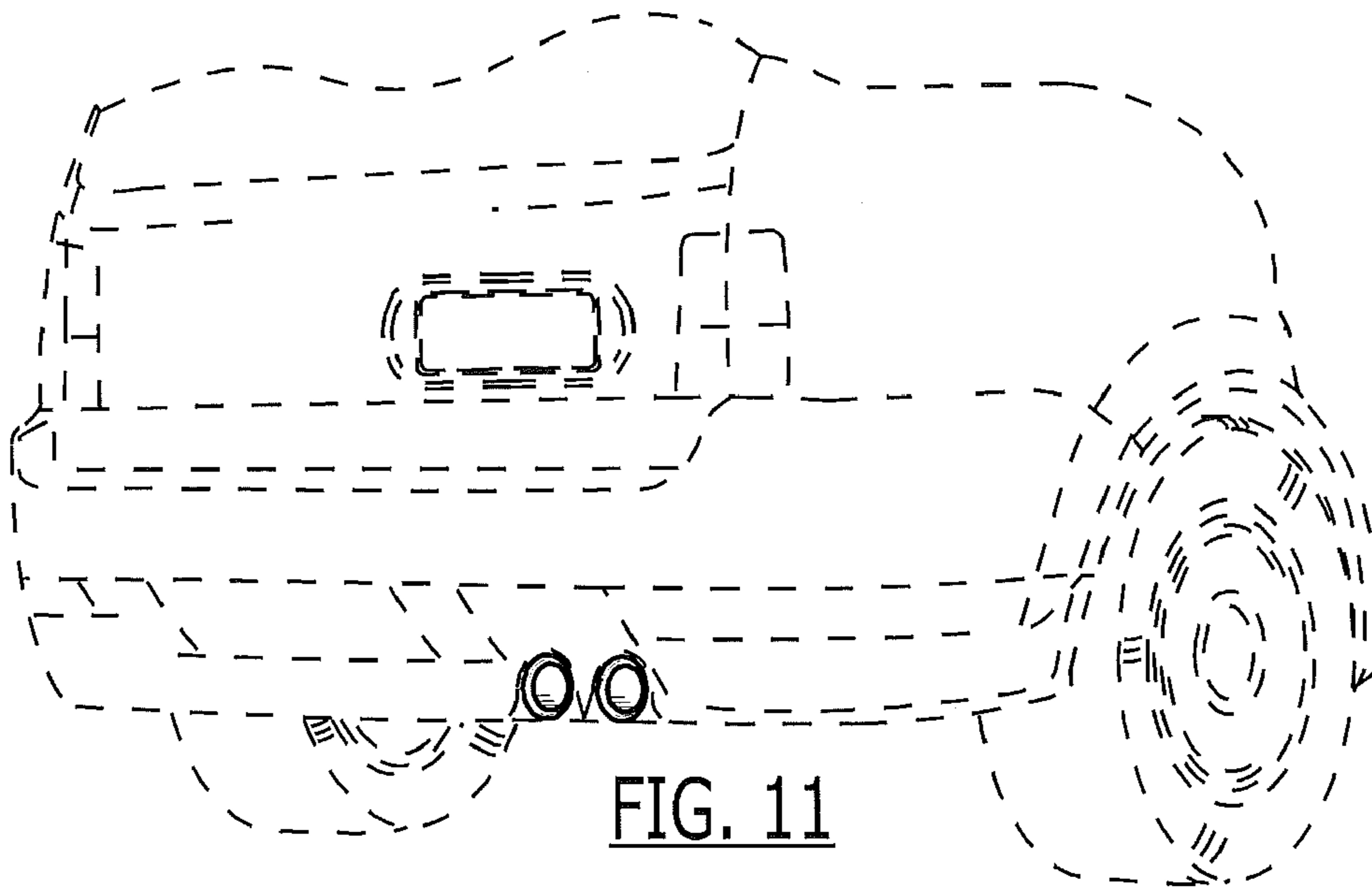


FIG. 11

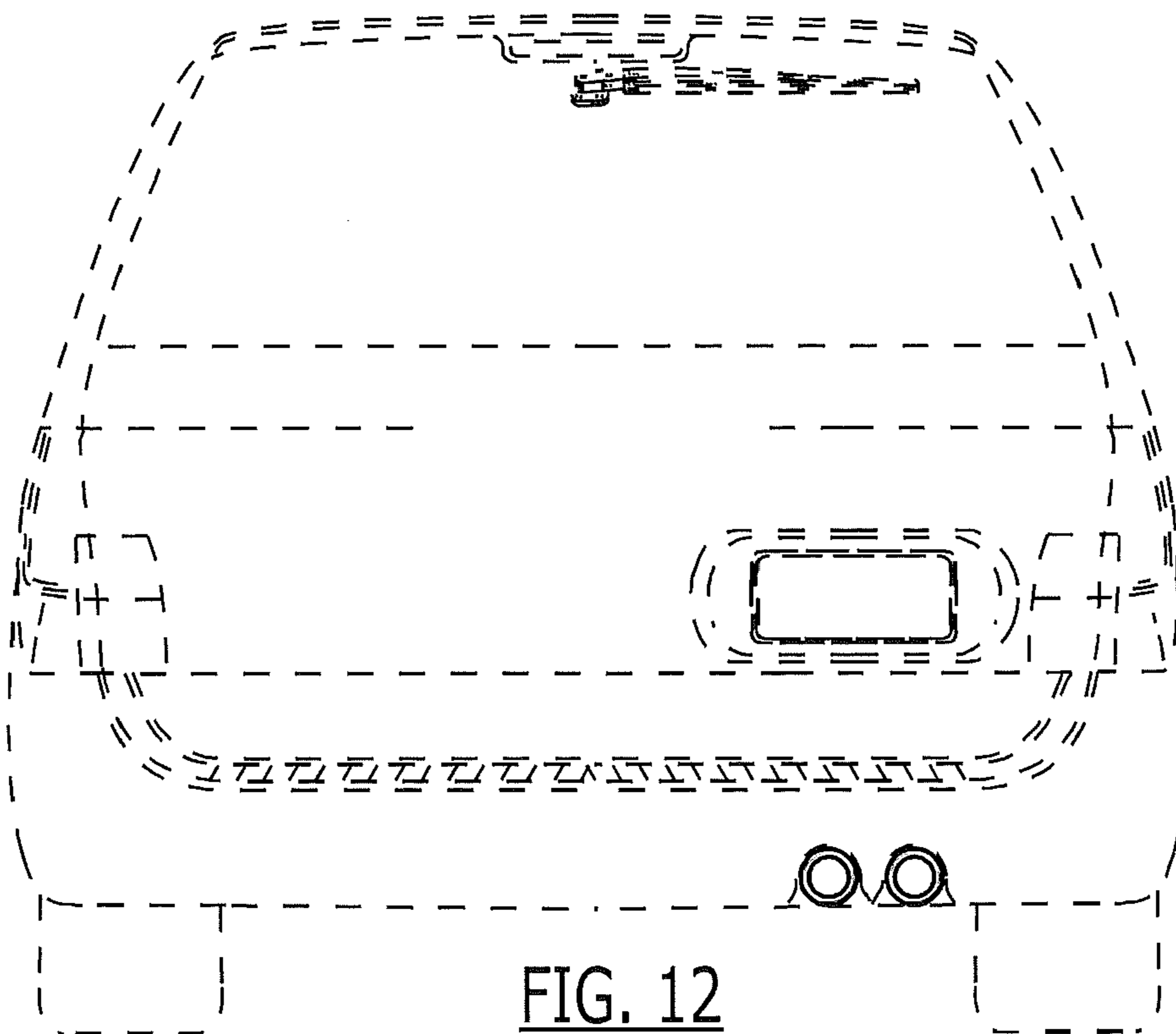


FIG. 12

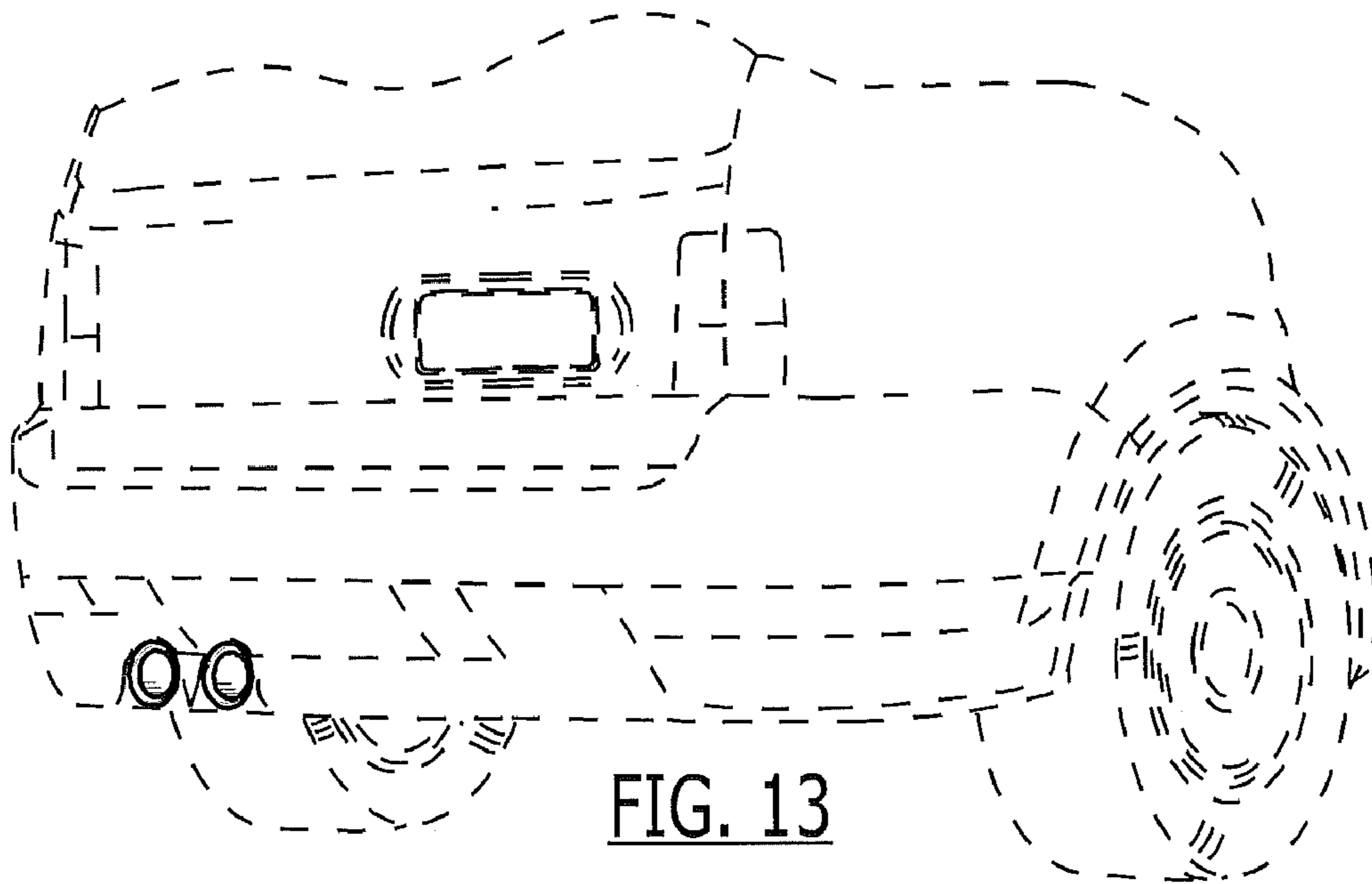


FIG. 13

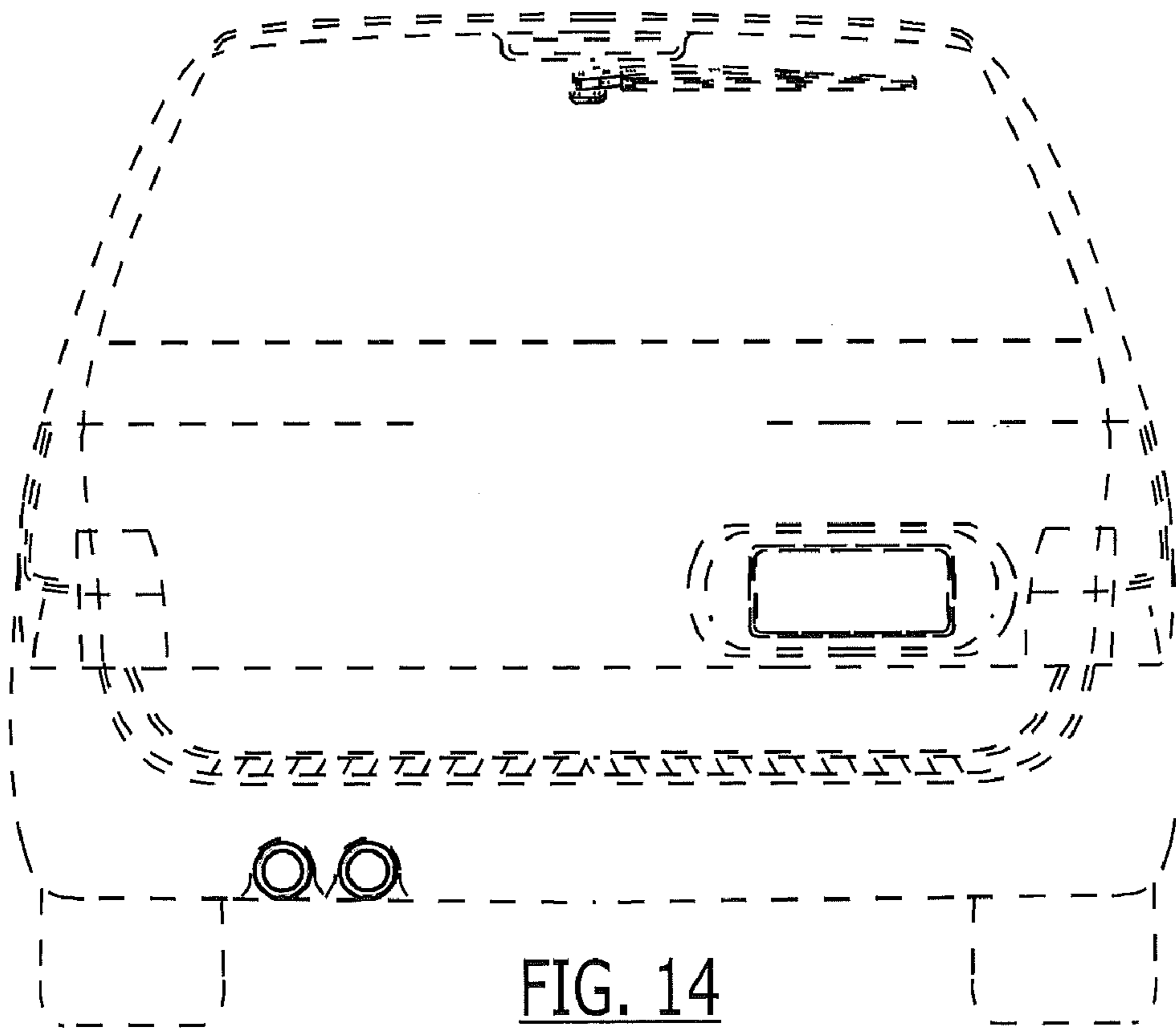


FIG. 14

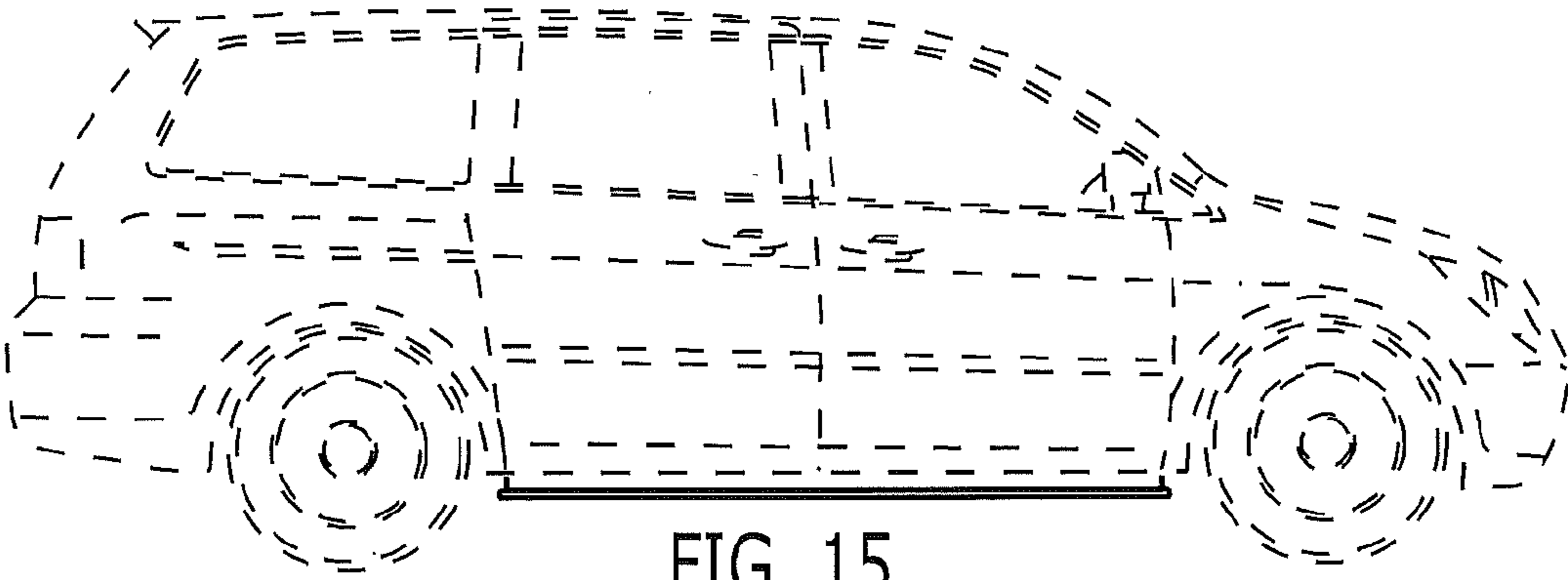


FIG. 15