

US00D635497S

(12) **United States Design Patent**
Chambers et al.

(10) **Patent No.:** **US D635,497 S**

(45) **Date of Patent:** **** Apr. 5, 2011**

(54) **MOTORCYCLE METER**

(75) Inventors: **Benjamin T. Chambers**, Battle Ground, WA (US); **Robert E. Tischendorf**, Battle Ground, WA (US); **Geoffrey Wotton**, Battle Ground, WA (US)

(73) Assignee: **Trail Tech, Inc.**, Battle Ground, WA (US)

(**) Term: **14 Years**

(21) Appl. No.: **29/377,038**

(22) Filed: **Oct. 15, 2010**

(51) **LOC (9) Cl.** **12-16**

(52) **U.S. Cl.** **D12/192**

(58) **Field of Classification Search** D12/192, D12/415, 110, 114; 180/90; 280/750-752; 296/190.01-190.09, 191, 70; D15/17, 28; D10/46, 98, 102-103, 122, 127

See application file for complete search history.

(56) **References Cited**

U.S. PATENT DOCUMENTS

D334,897 S *	4/1993	Katz	D10/98
D338,840 S *	8/1993	Ueda	D10/98
D376,552 S *	12/1996	Ueda	D10/98
D401,522 S *	11/1998	Ueda et al.	D10/98
D422,519 S *	4/2000	Ueda et al.	D10/98
D450,006 S *	11/2001	Nagano et al.	D10/98
D522,394 S *	6/2006	Okuda et al.	D10/98
D522,896 S *	6/2006	Okuda et al.	D10/98
D545,225 S *	6/2007	Azuma	D10/70

D611,151 S *	3/2010	Lei	D24/169
D612,274 S *	3/2010	Heidemann et al.	D10/78
D626,480 S *	11/2010	Cremer et al.	D12/192
D628,526 S *	12/2010	Stephenson	D12/192

OTHER PUBLICATIONS

Image 1A: 4 images; "TTO" meter/computer; Trail Tech Inc., Nov. 1, 2009, 1 page.

Image 1B: 1 drawing; housing for "TTO" meter/computer; Trail Tech Inc., Nov. 1, 2009, 1 page.

Image 2A: 6 images; "Vapor," "Vector," and "Striker" meters/computers; Trail Tech Inc., Feb. 1, 2006, 1 page.

Image 2B: 1 drawing; housing for "Vapor," "Vector," and "Striker" meters/computers; Trail Tech Inc., Feb. 1, 2006, 1 page.

* cited by examiner

Primary Examiner — Caron Veynar

Assistant Examiner — Katrina A Kile

(74) *Attorney, Agent, or Firm* — Hancock Hughey LLP

(57) **CLAIM**

The ornamental design for a motorcycle meter, as shown.

DESCRIPTION

FIG. 1 is a perspective view of a motorcycle meter showing our new design;

FIG. 2 is a top view thereof;

FIG. 3 is a front view thereof;

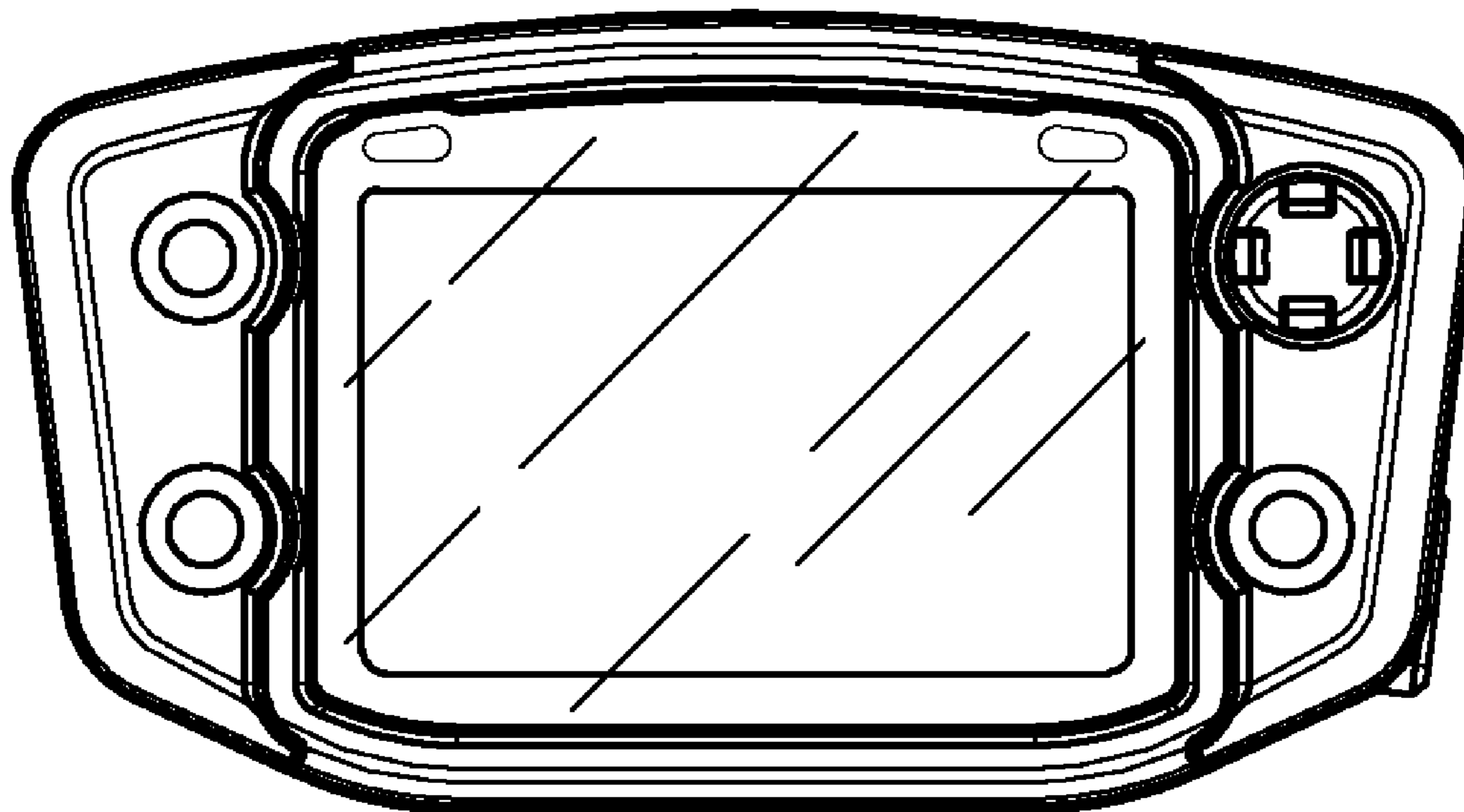
FIG. 4 is a right side view thereof;

FIG. 5 is a left side view thereof;

FIG. 6 is a bottom view thereof; and,

FIG. 7 is a back view thereof.

1 Claim, 1 Drawing Sheet



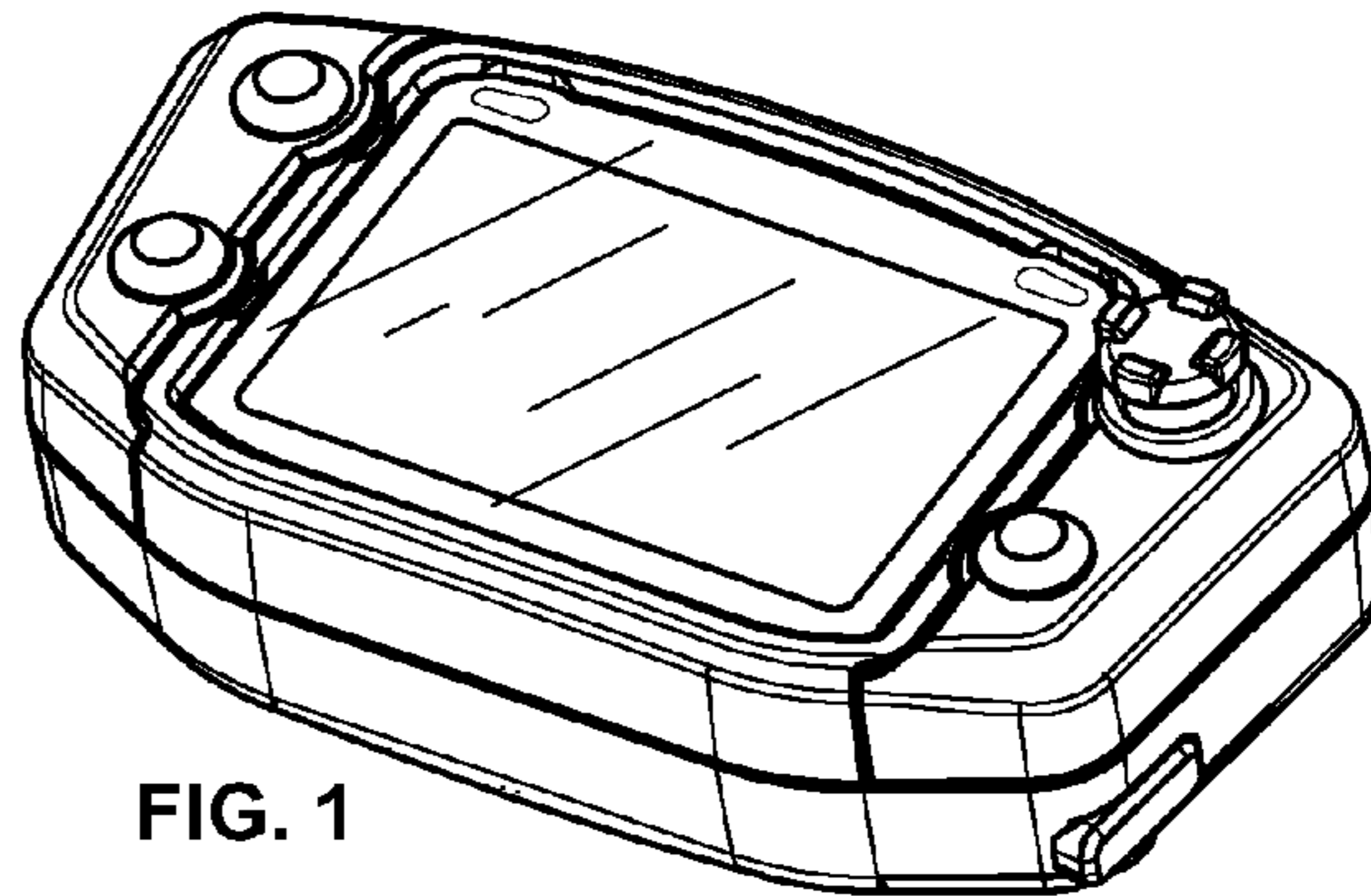


FIG. 1

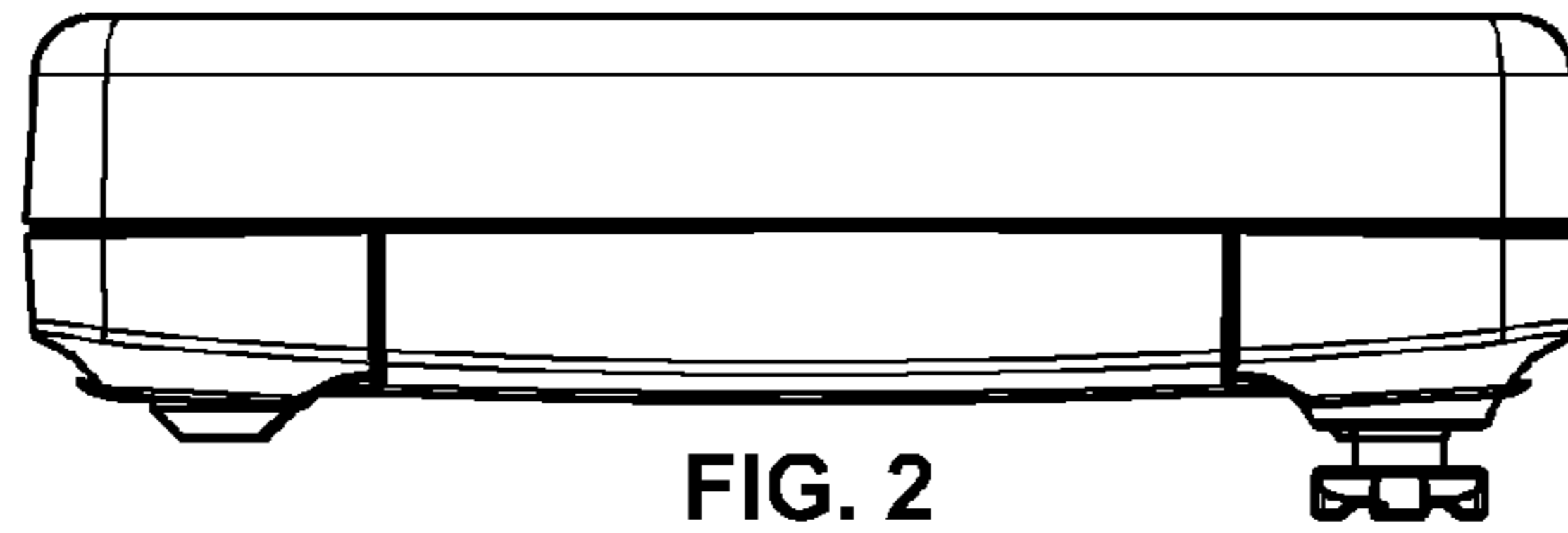


FIG. 2

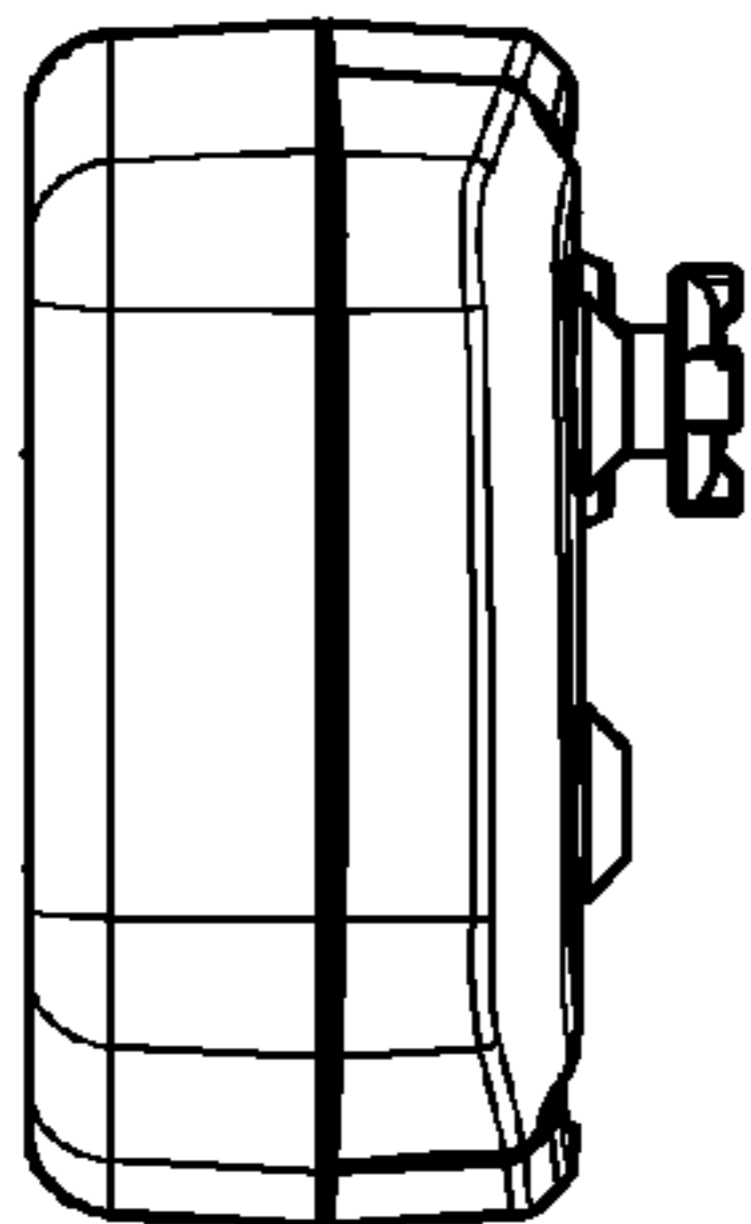


FIG. 4

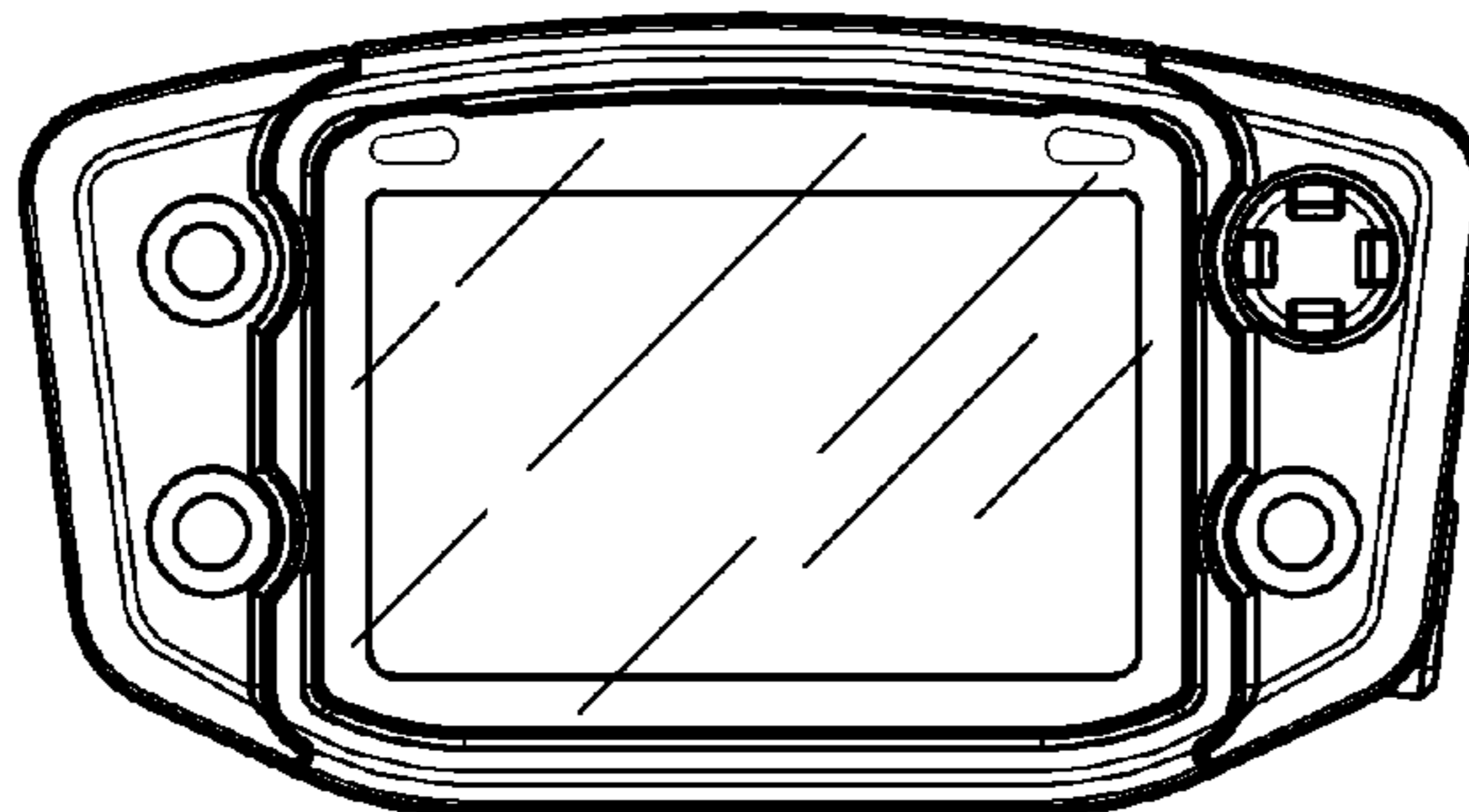


FIG. 3

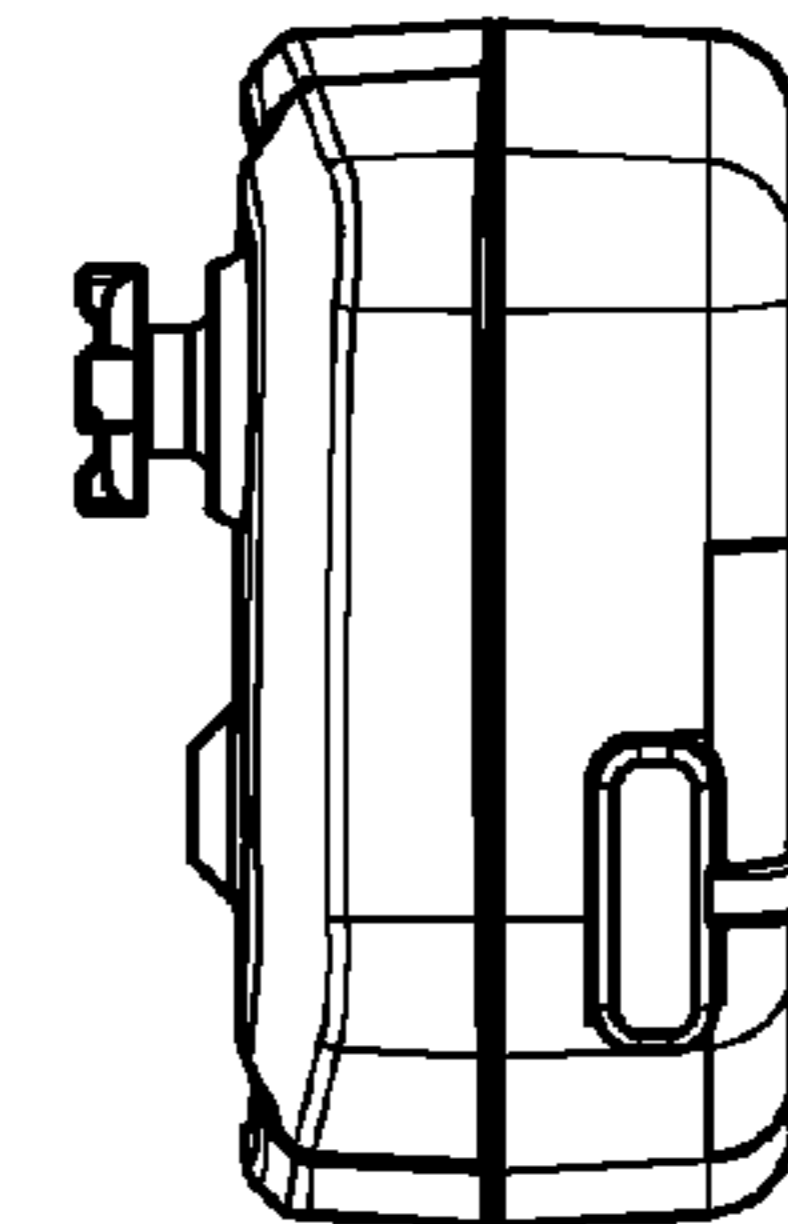


FIG. 5

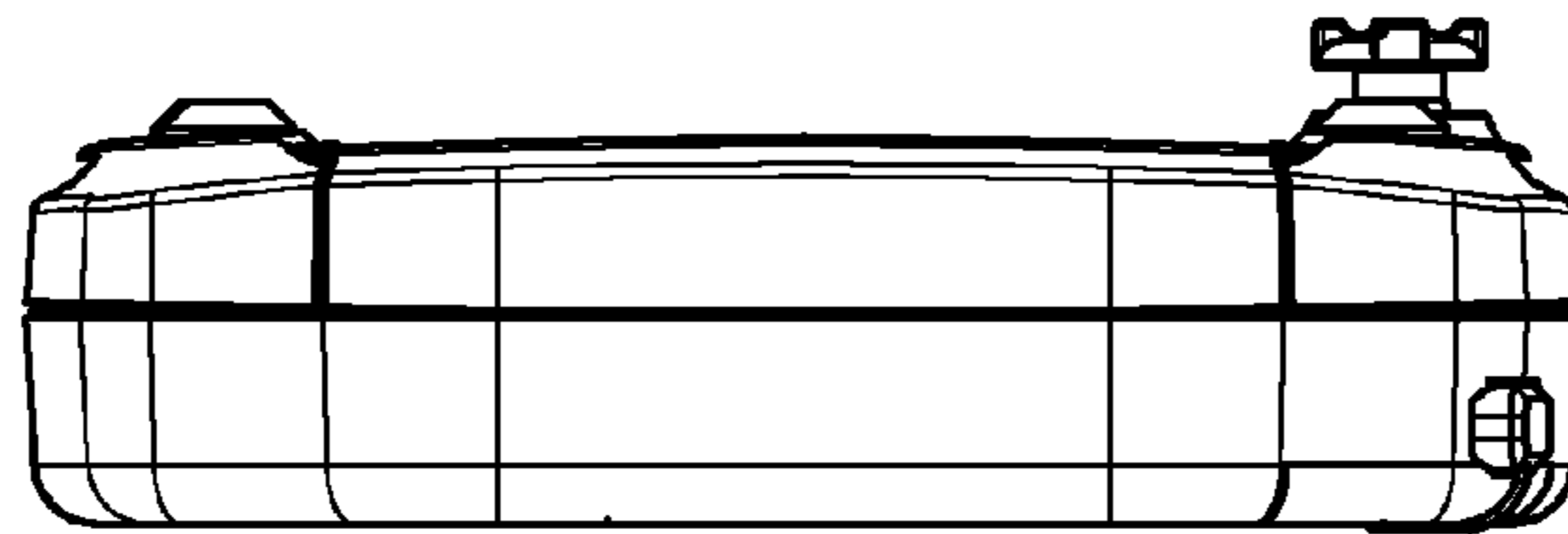


FIG. 6

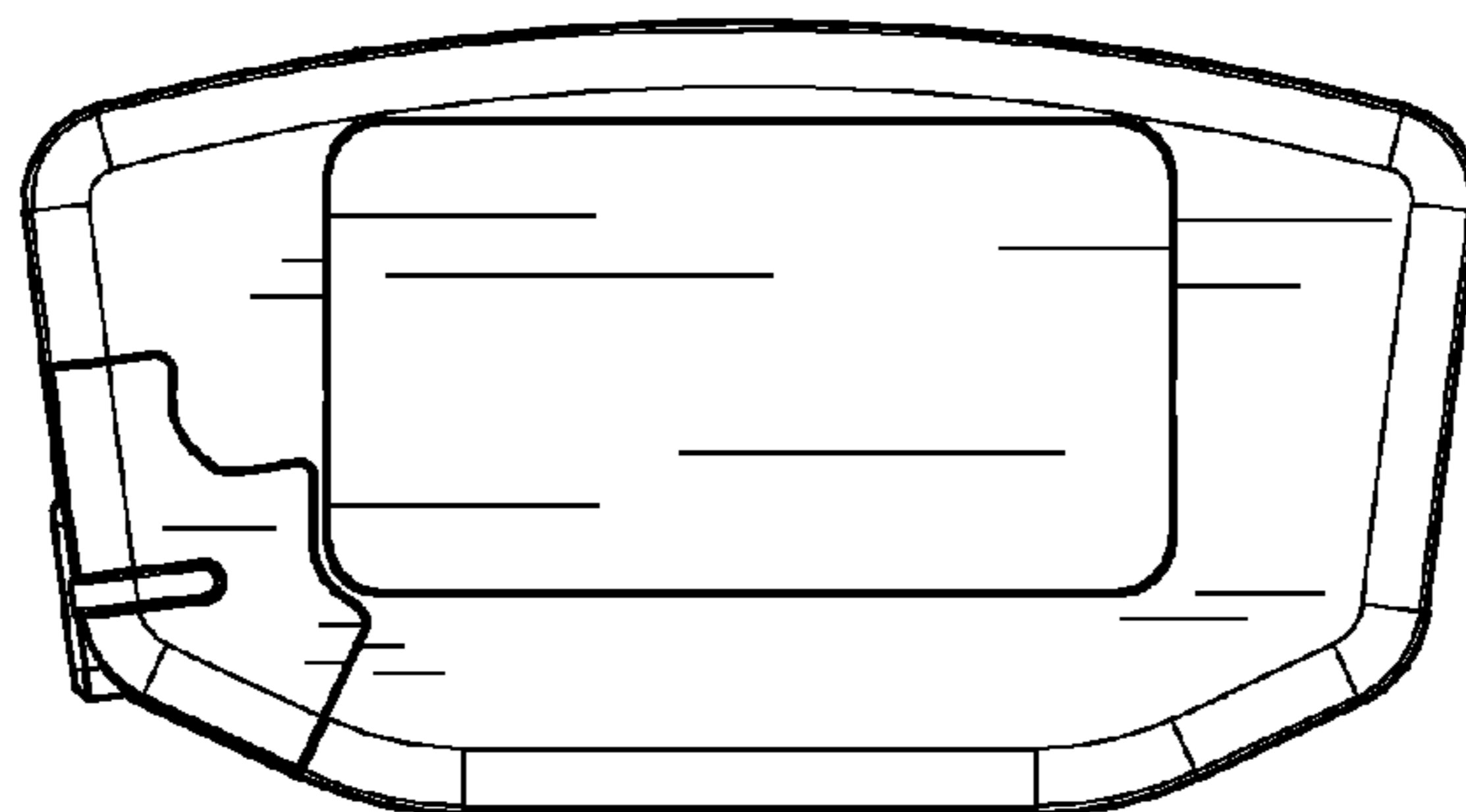


FIG. 7