



US00D635496S

(12) **United States Design Patent**
Serbinski

(10) **Patent No.:** **US D635,496 S**

(45) **Date of Patent:** **** Apr. 5, 2011**

(54) **MOTORCYCLE FENDER EXTENSION COMPONENT**

(76) **Inventor:** **Andrew Serbinski**, Franklin Township, Hunterdon County, NJ (US)

(**) **Term:** **14 Years**

(21) **Appl. No.:** **29/370,008**

(22) **Filed:** **May 26, 2010**

(51) **LOC (9) Cl.** **12-11**

(52) **U.S. Cl.** **D12/186**

(58) **Field of Classification Search** D12/181,
D12/184-186, 110, 114, 126; 280/152.1-152.3,
280/160.1, 848, 852, 847, 849-851, 160;
180/219, 220; 293/102-105

See application file for complete search history.

(56) **References Cited**

U.S. PATENT DOCUMENTS

1,374,475	A	*	4/1921	Shaughnessy	296/78.1
D188,022	S	*	5/1960	Pawsat	D12/185
D293,312	S	*	12/1987	Stahel	D12/186
D371,531	S	*	7/1996	Colton	D12/186
D512,354	S	*	12/2005	Grove	D12/186
D542,719	S	*	5/2007	Miller	D12/186

OTHER PUBLICATIONS

J & P Cycles® 2008 Keeping the World on 2 Wheels® Catalog, Rear Fender Extensions on p. 564.*

* cited by examiner

Primary Examiner — Susan M Lee

Assistant Examiner — Linda G. Brooks

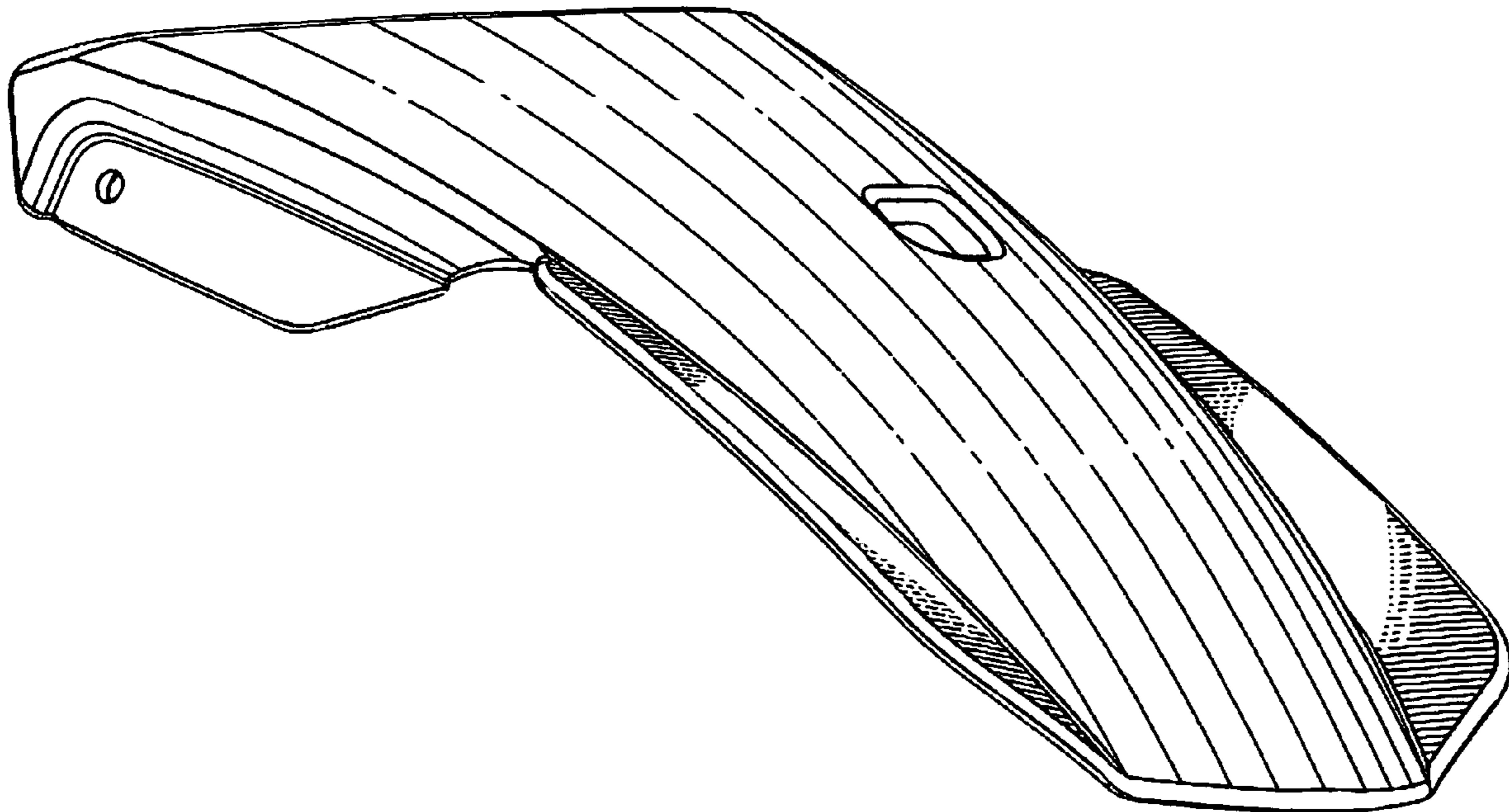
(57) **CLAIM**

The ornamental design for a motorcycle fender extension component, as shown and described.

DESCRIPTION

FIG. 1 is a front perspective view;
FIG. 2 is a rear perspective view;
FIG. 3 is a rear view;
FIG. 4 is a right side view;
FIG. 5 is a front view;
FIG. 6 is a left side view;
FIG. 7 is a top view; and,
FIG. 8 is a bottom view.

1 Claim, 8 Drawing Sheets



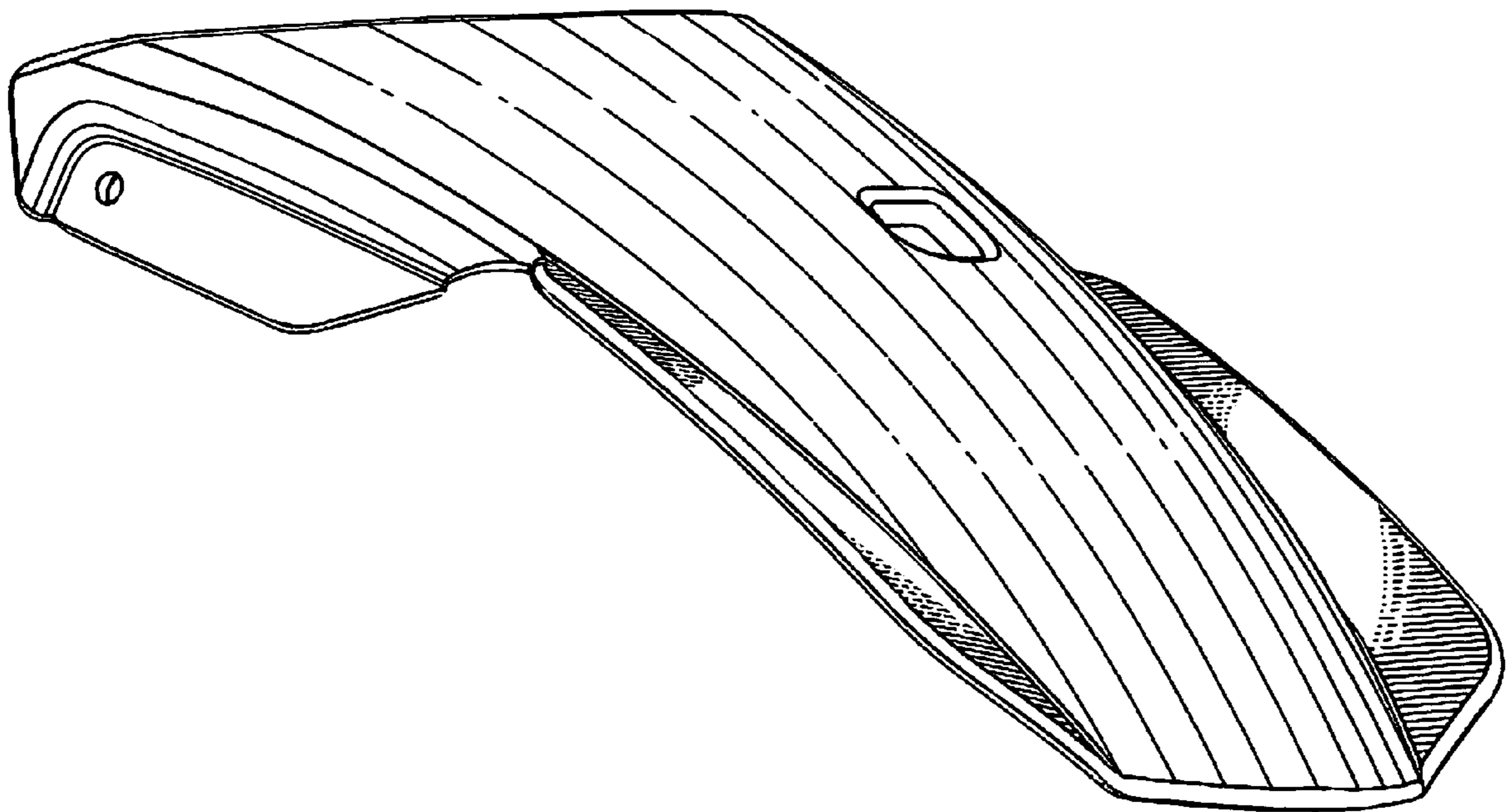


FIG. 1

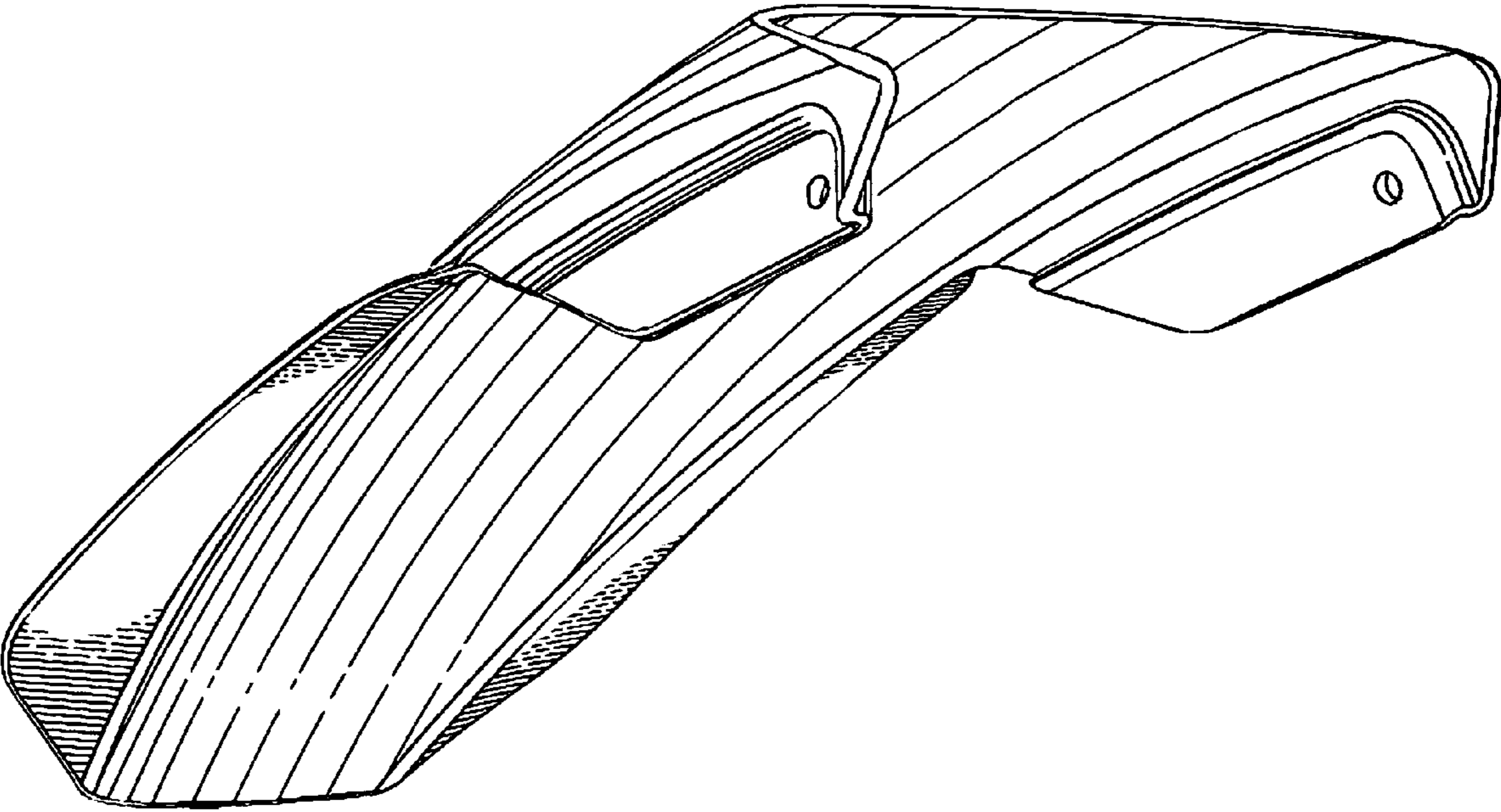


FIG. 2

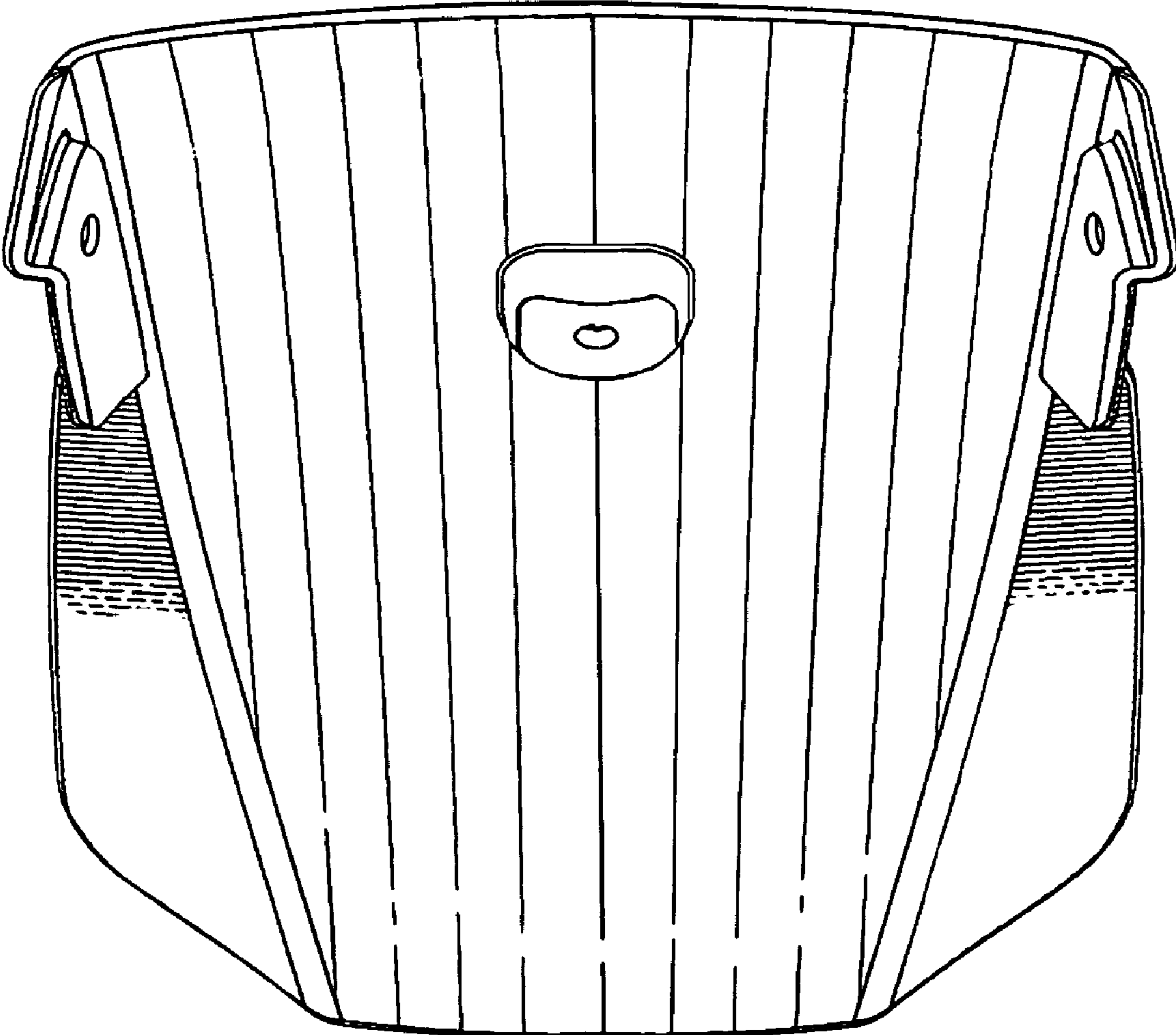


FIG. 3

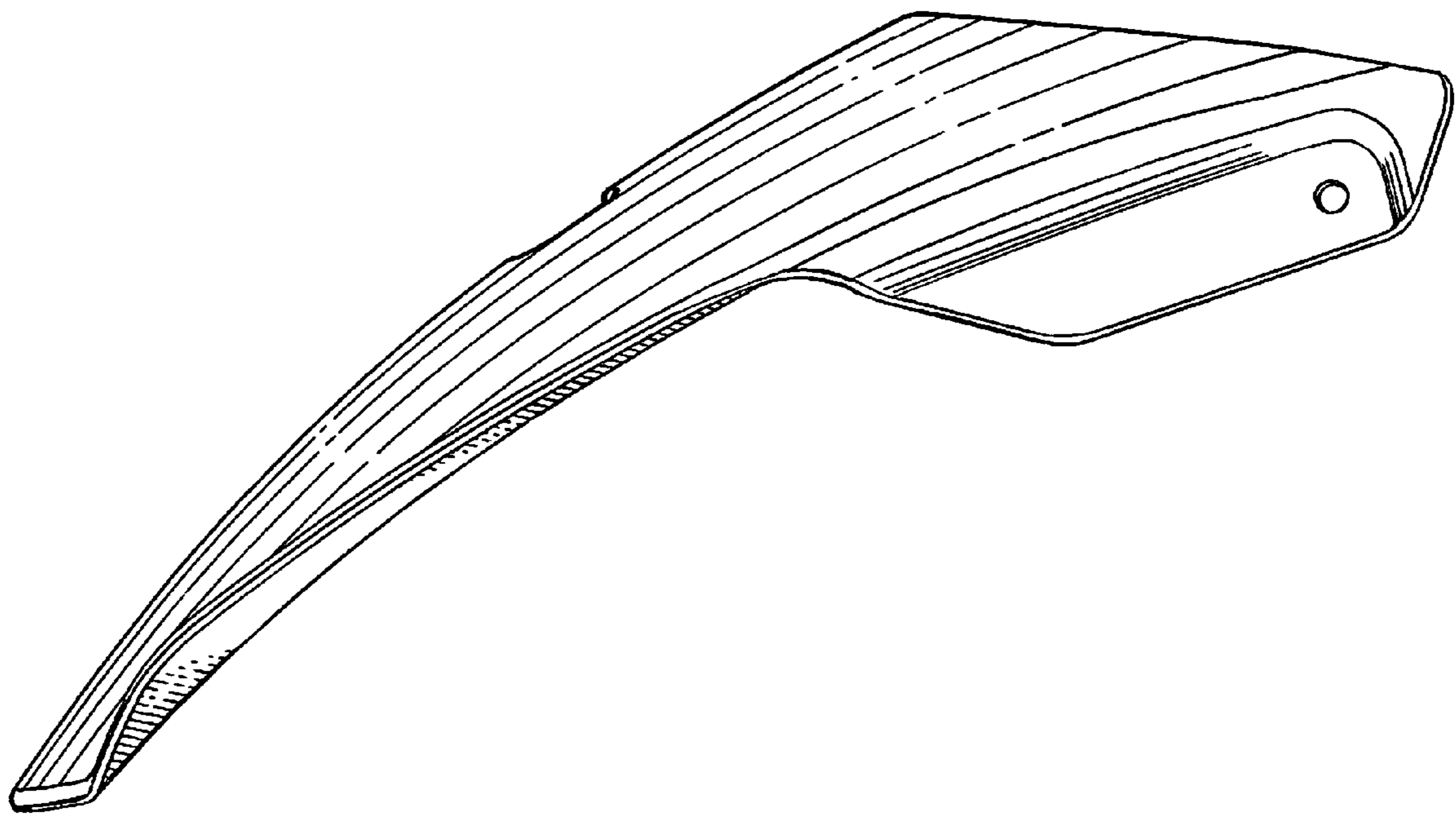


FIG. 4

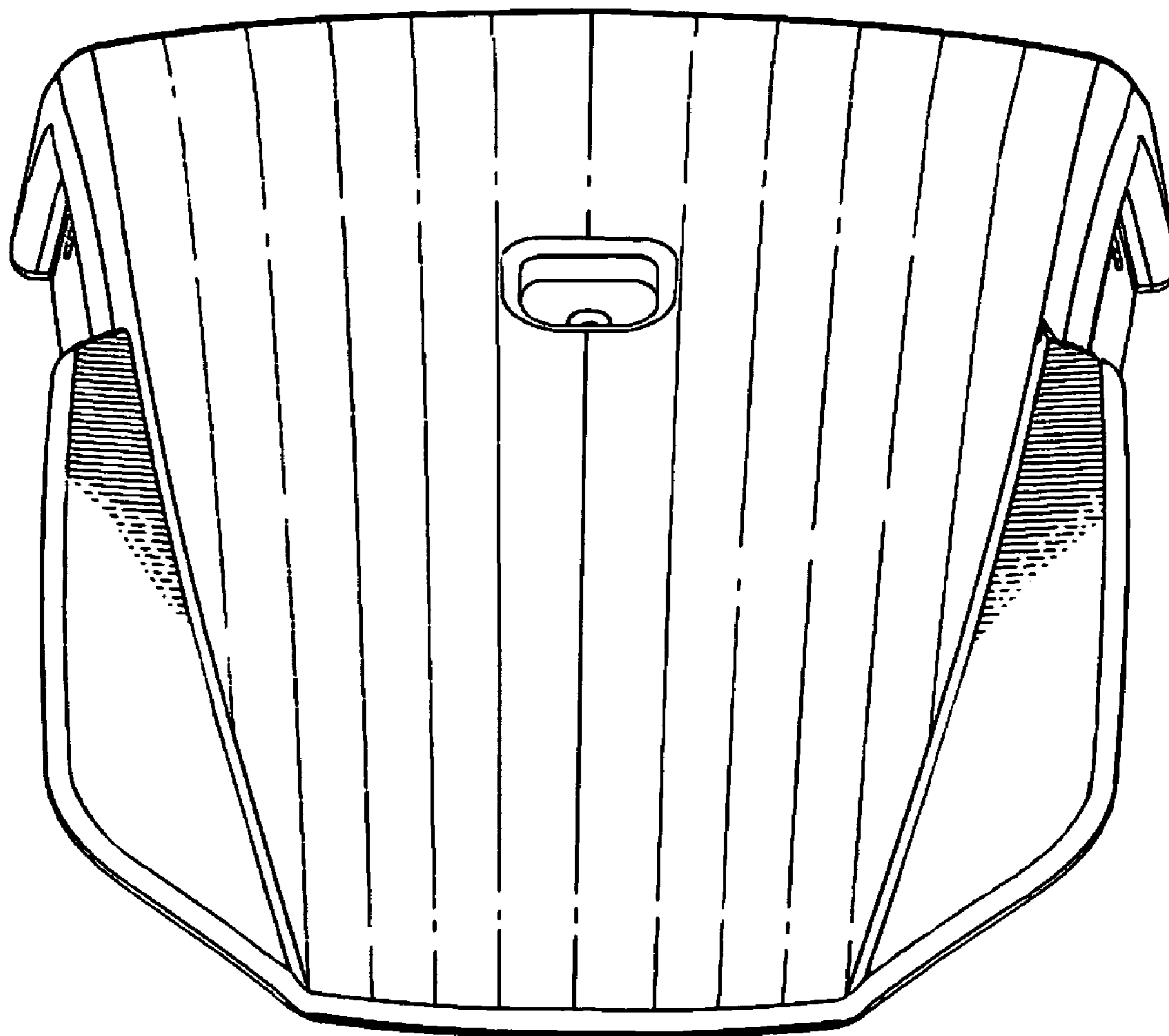


FIG. 5

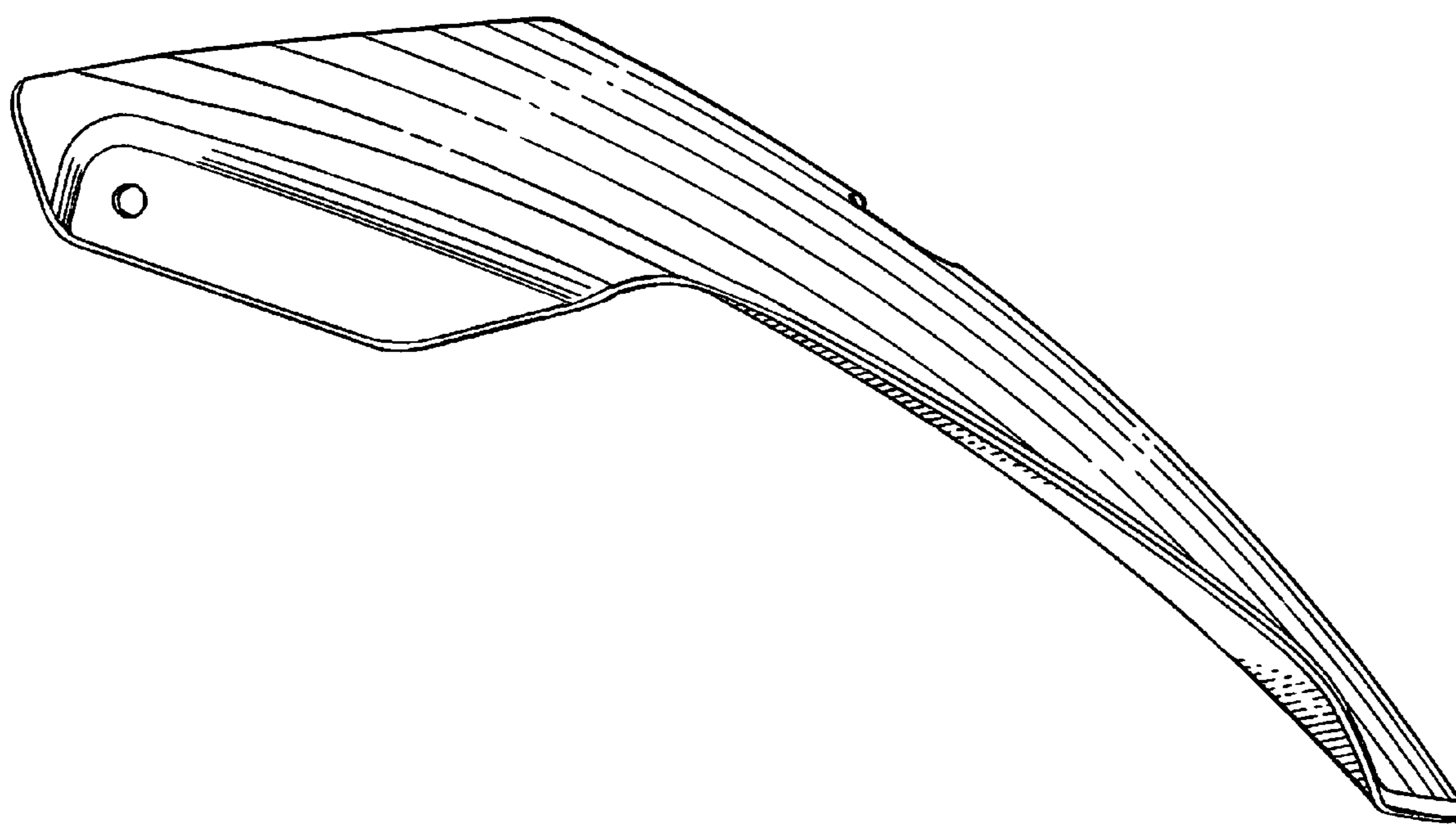


FIG. 6

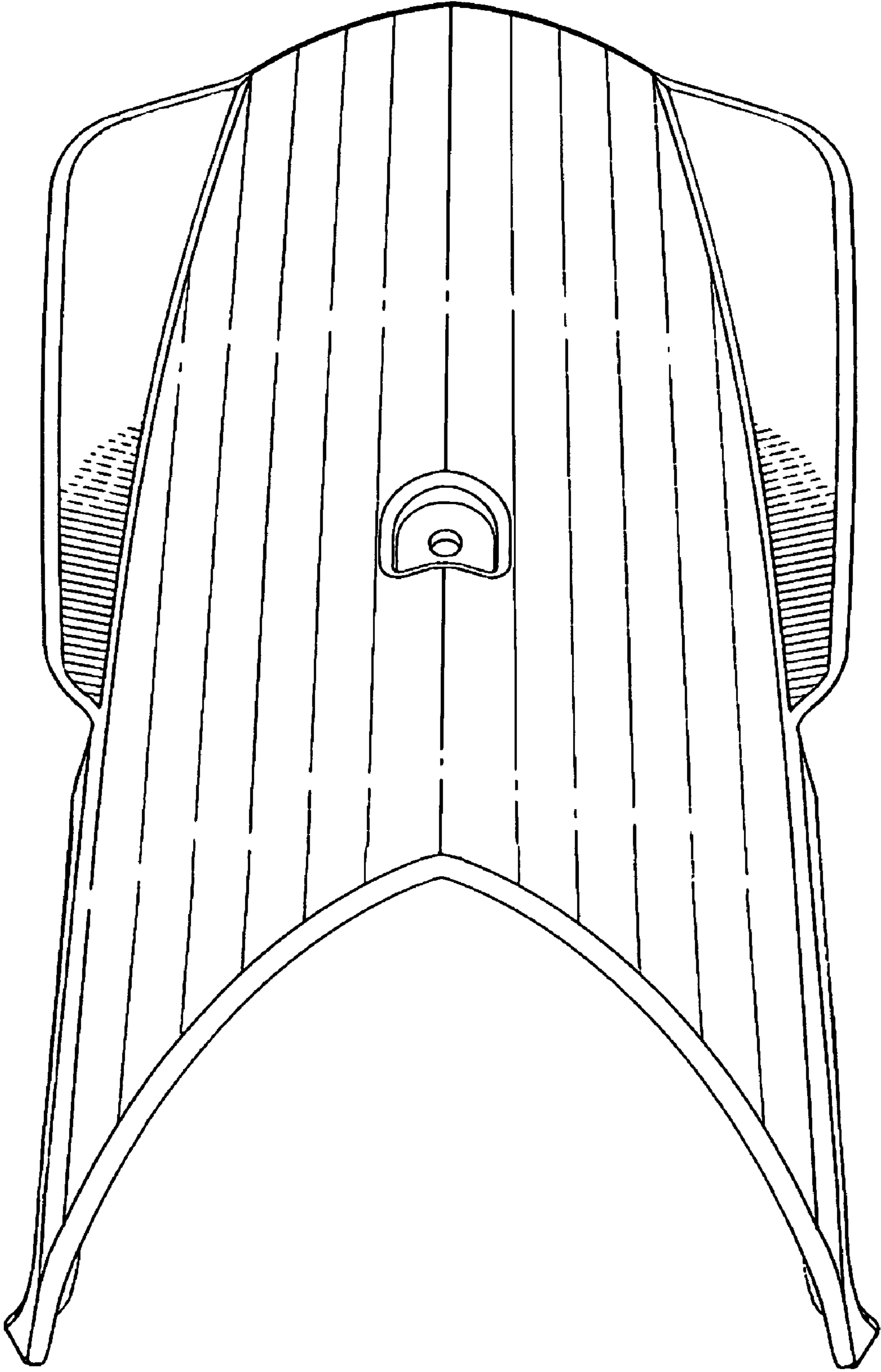


FIG. 7

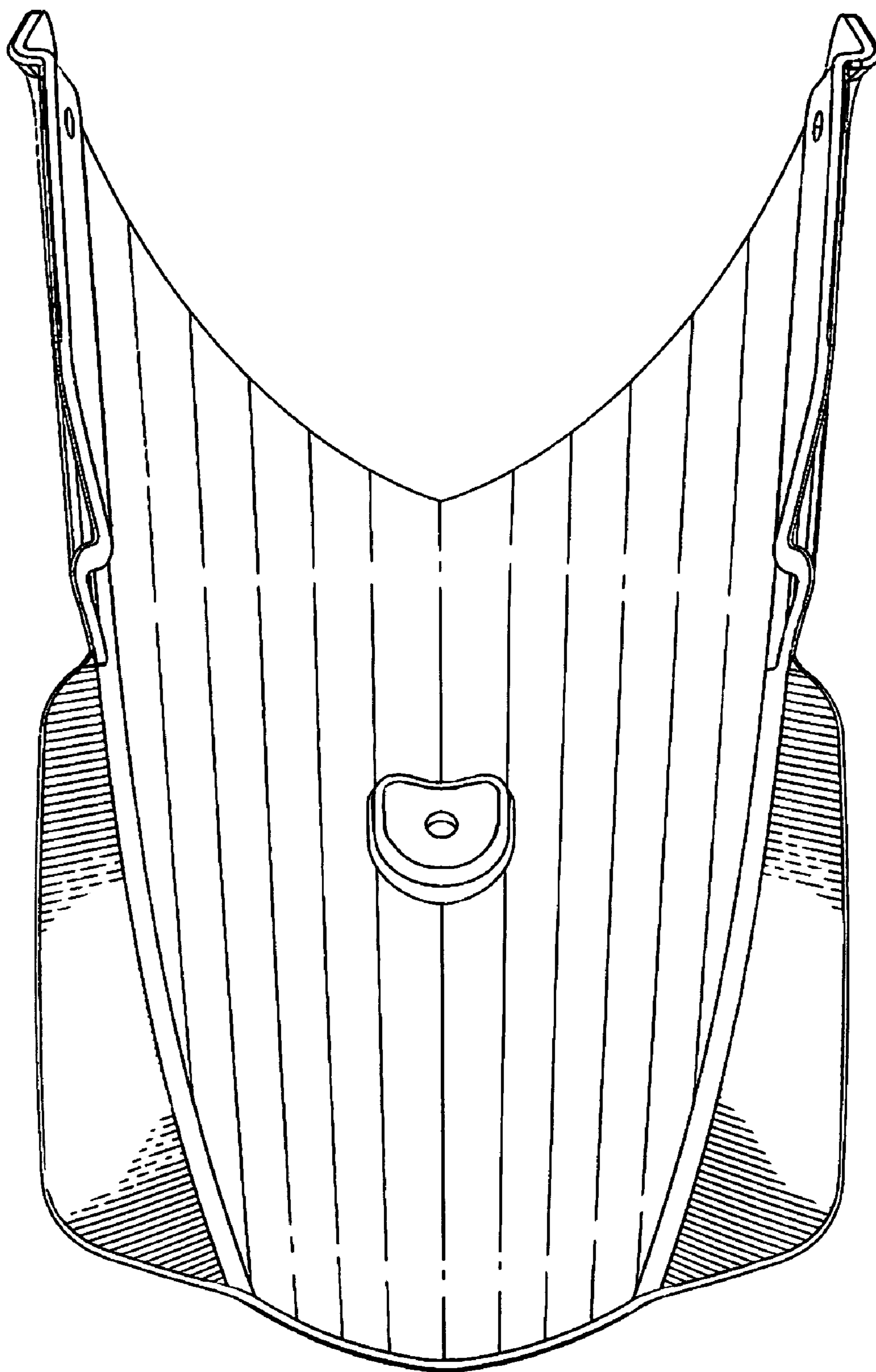


FIG. 8