



US00D635495S

(12) **United States Design Patent**
Schachte

(10) **Patent No.:** **US D635,495 S**

(45) **Date of Patent:** **** *Apr. 5, 2011**

- (54) **SADDLE FOR TRAILER CHASSIS**
- (75) Inventor: **Frank C. Schachte**, Charleston, SC (US)
- (73) Assignee: **Stackable Chassis International, LLC**, Charleston, SC (US)
- (**) Term: **14 Years**
- (21) Appl. No.: **29/338,714**
- (22) Filed: **Jun. 17, 2009**
- (51) **LOC (9) Cl.** **12-16**
- (52) **U.S. Cl.** **D12/159**
- (58) **Field of Classification Search** D12/159, D12/162, 400, 172, 177, 196; 280/416.1, 280/446.1, 482, 491.3, 498, 499, 507, 509, 280/511-513, 656, 1.21; 188/112 R; D15/17
See application file for complete search history.

4,580,805 A	4/1986	Bertolini	
4,611,962 A	9/1986	Braly et al.	
4,642,954 A	2/1987	Sigerist	
4,836,735 A	6/1989	Dennehy, Jr. et al.	
D307,019 S *	4/1990	Rosenblad	D15/17
4,952,118 A	8/1990	MacMillan	
4,969,659 A	11/1990	Ehrlich	
4,986,705 A	1/1991	Durkin	
D365,572 S *	12/1995	Cerny et al.	D15/17
5,662,450 A	9/1997	Roberts	
5,794,960 A	8/1998	Sill	
5,873,593 A	2/1999	Gesuale	
5,934,695 A	8/1999	Rowland	
6,186,533 B1	2/2001	Alaniz	
6,241,438 B1	6/2001	Corbett et al.	

(Continued)

FOREIGN PATENT DOCUMENTS

WO WO 99/22958 5/1999

Primary Examiner — Cynthia Underwood
(74) *Attorney, Agent, or Firm* — Dority & Manning, P.A.

(57) **CLAIM**

The ornamental design for a saddle for a trailer chassis, as shown and described.

DESCRIPTION

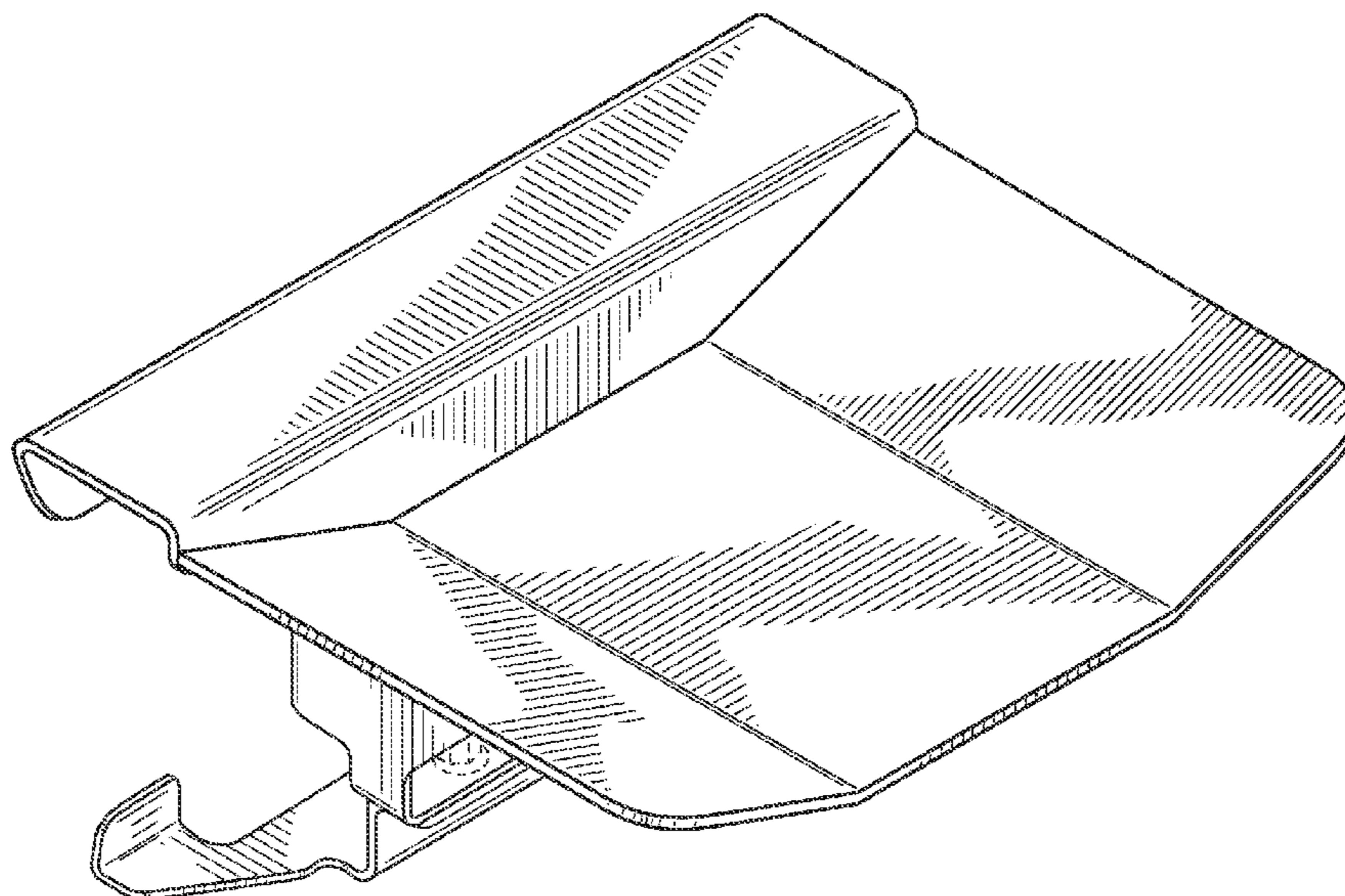
FIG. 1. is a perspective view of a saddle for trailer chassis according to the present design;
FIG. 2 is a top view of the saddle of FIG. 1;
FIG. 3 is a bottom view of the saddle of FIG. 1;
FIG. 4 is a front side view of the saddle of FIG. 1;
FIG. 5 is a back side view of the saddle of FIG. 1;
FIG. 6 is a left side view of the saddle of FIG. 1;
FIG. 7 is a right side view of the saddle of FIG. 1; and,
FIG. 8 is an alternate perspective view of the saddle of FIG. 1.
The broken lines represent environment and form no part of the claim.

1 Claim, 6 Drawing Sheets

(56) **References Cited**

U.S. PATENT DOCUMENTS

D59,792 S *	11/1921	Taylor	D8/354
1,538,297 A	5/1925	Mitchell	
1,949,156 A	2/1934	Francis et al.	
D113,566 S	2/1939	Landis	
3,572,752 A	3/1971	Harp	
3,580,627 A	5/1971	Underwood	
3,611,949 A	10/1971	Peisner	
D233,035 S	10/1974	Donné	
3,841,509 A	10/1974	Chisum	
4,015,382 A	4/1977	Noyes	
4,066,289 A	1/1978	Gargour	
4,108,472 A	8/1978	Weir	
D251,507 S *	4/1979	Maricic	D25/124
D262,404 S	12/1981	Bittner	
4,402,526 A	9/1983	Huetsch	
4,561,671 A	12/1985	DeWitt et al.	
4,566,714 A	1/1986	De Witt et al.	



US D635,495 S

Page 2

U.S. PATENT DOCUMENTS

6,386,807	B1	5/2002	Rowland				
D462,037	S *	8/2002	Pancheri et al.	D12/162		
D462,300	S *	9/2002	Cerny et al.	D12/86		
6,997,022	B1	2/2006	Demange				
D531,946	S	11/2006	Angelo et al.				
D531,948	S *	11/2006	Angelo et al.	D12/196		
D532,731	S *	11/2006	Angelo et al.	D12/196		
7,222,872	B1 *	5/2007	Bauder	280/439		
D547,244	S *	7/2007	Munger	D12/177		
D576,085	S *	9/2008	Devlin	D12/162		
D611,647	S	3/2010	Coplin et al.				
7,699,346	B2 *	4/2010	Wehner et al.	280/784		
7,775,544	B2 *	8/2010	Bouwkamp	280/489		
2006/0171791	A1	8/2006	Nichols				
2006/0269379	A1	11/2006	Orr et al.				
2007/0140818	A1	6/2007	Hammar				

* cited by examiner

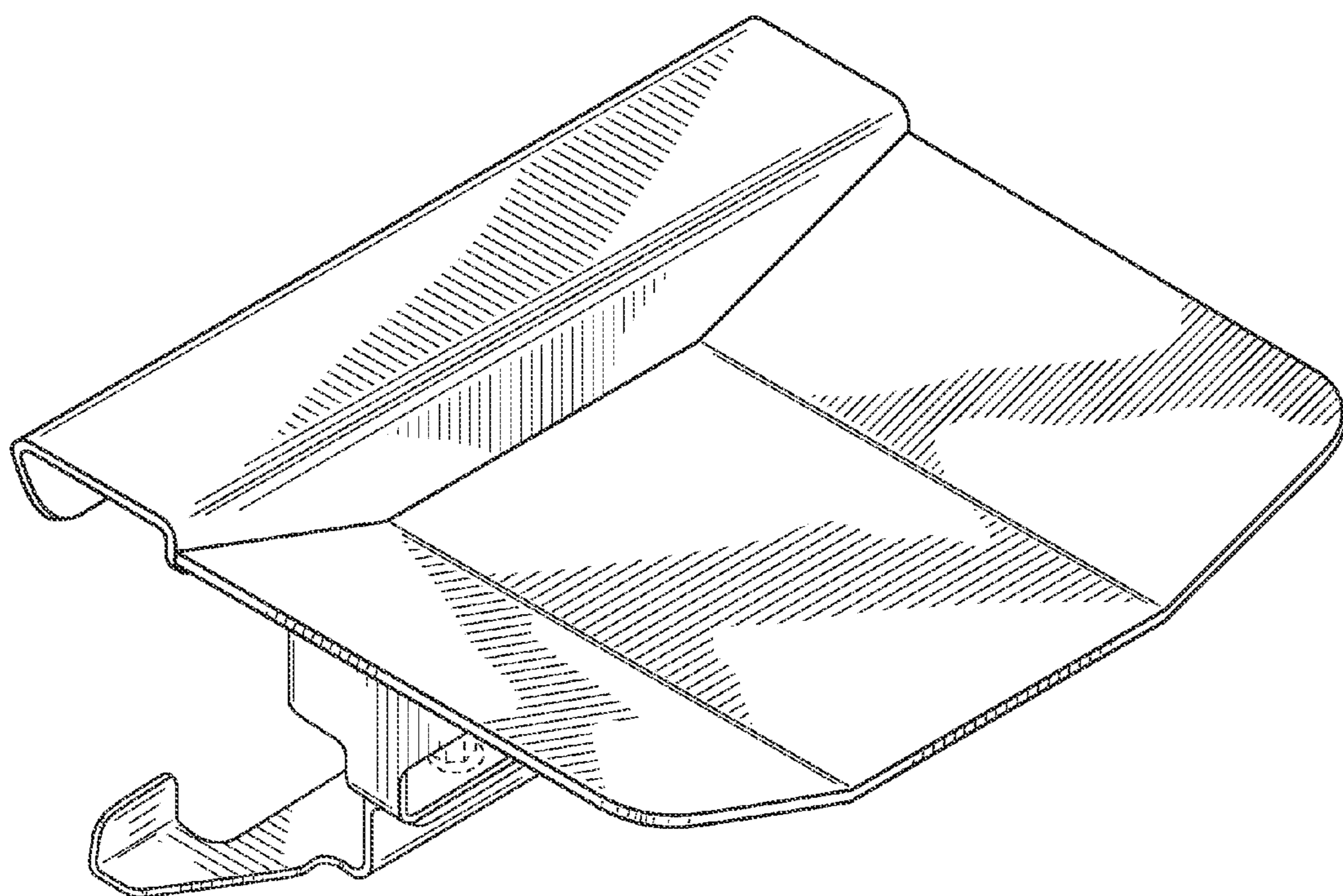


FIG. 1

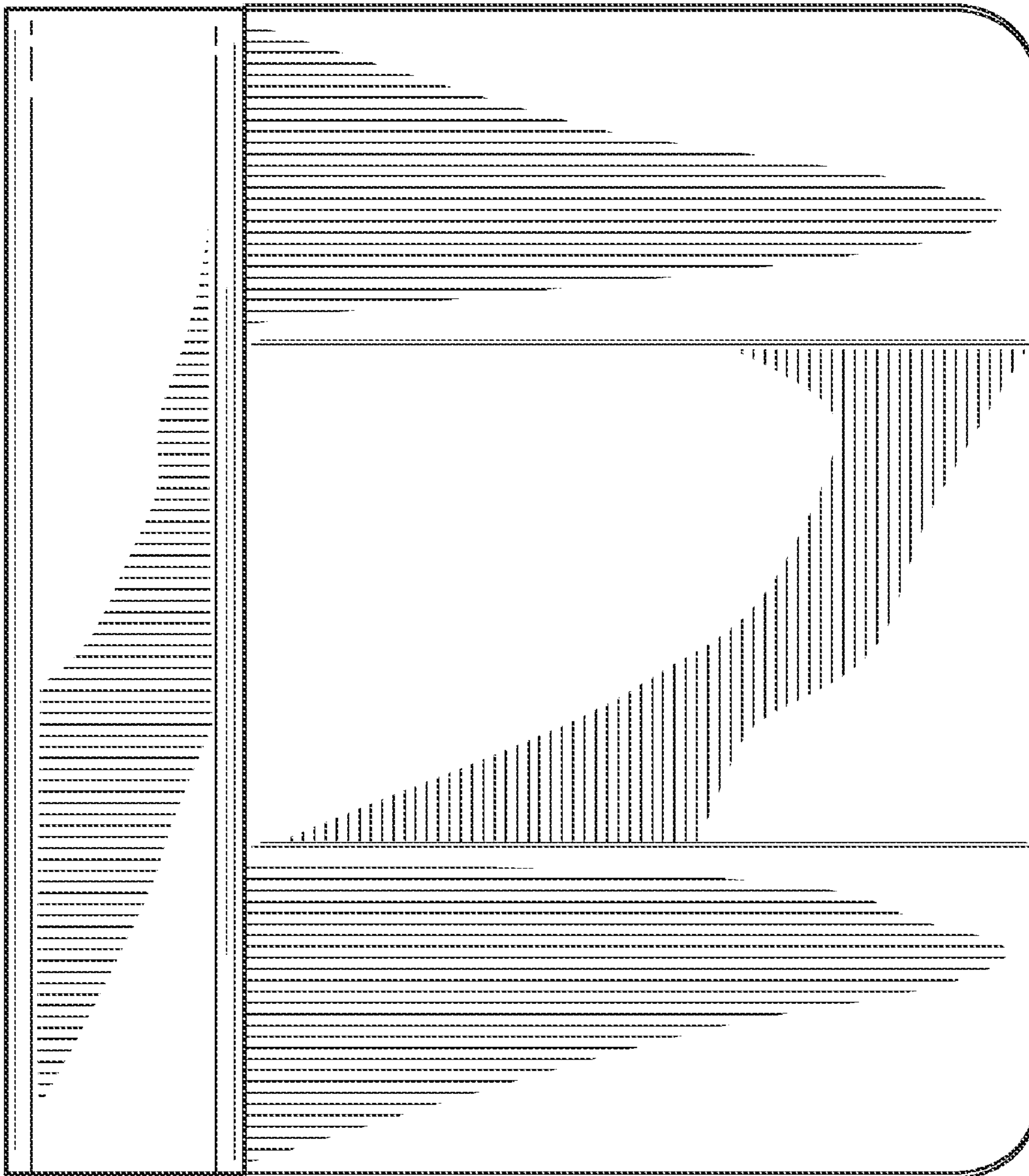


FIG. 2

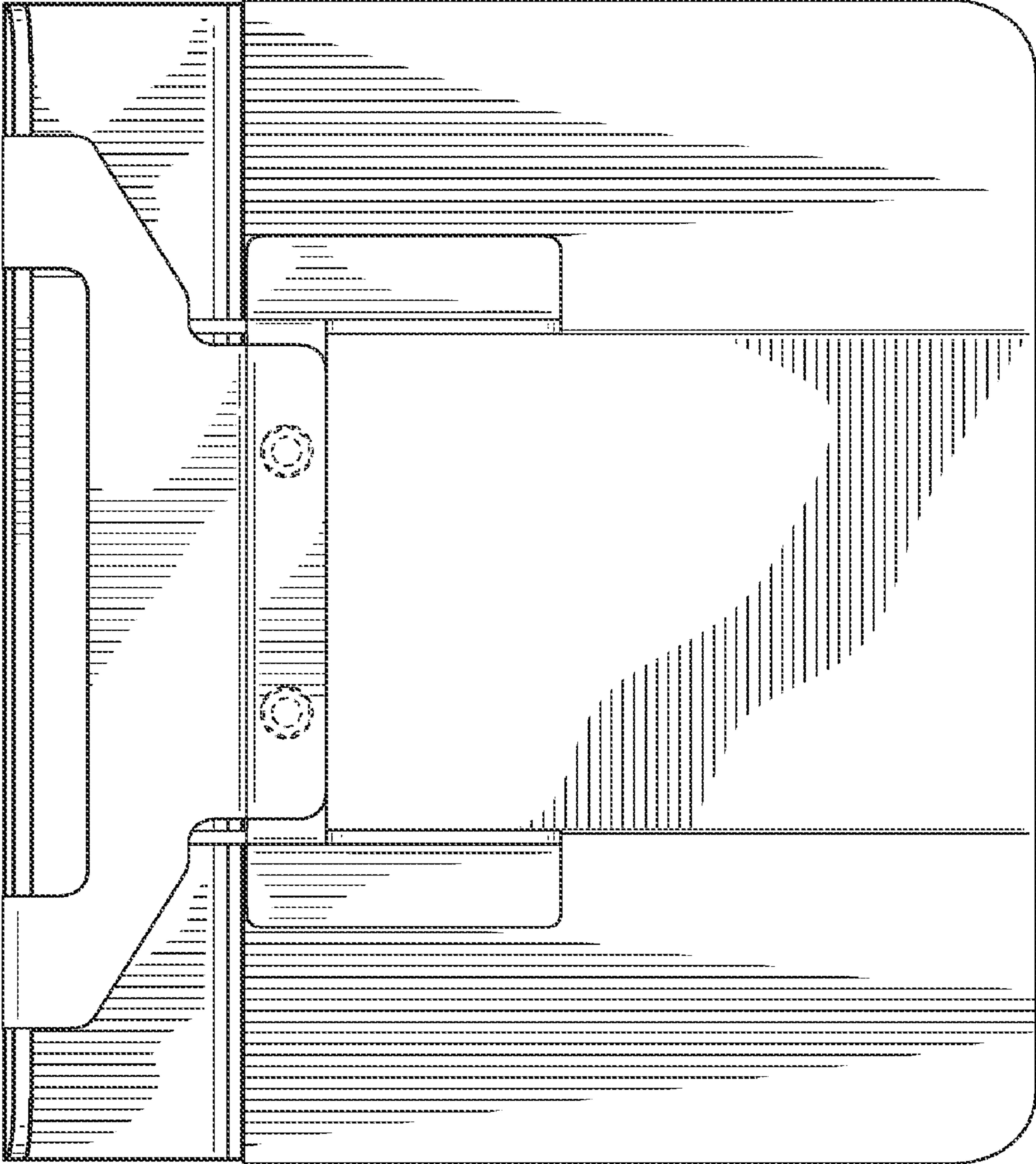


FIG. 3

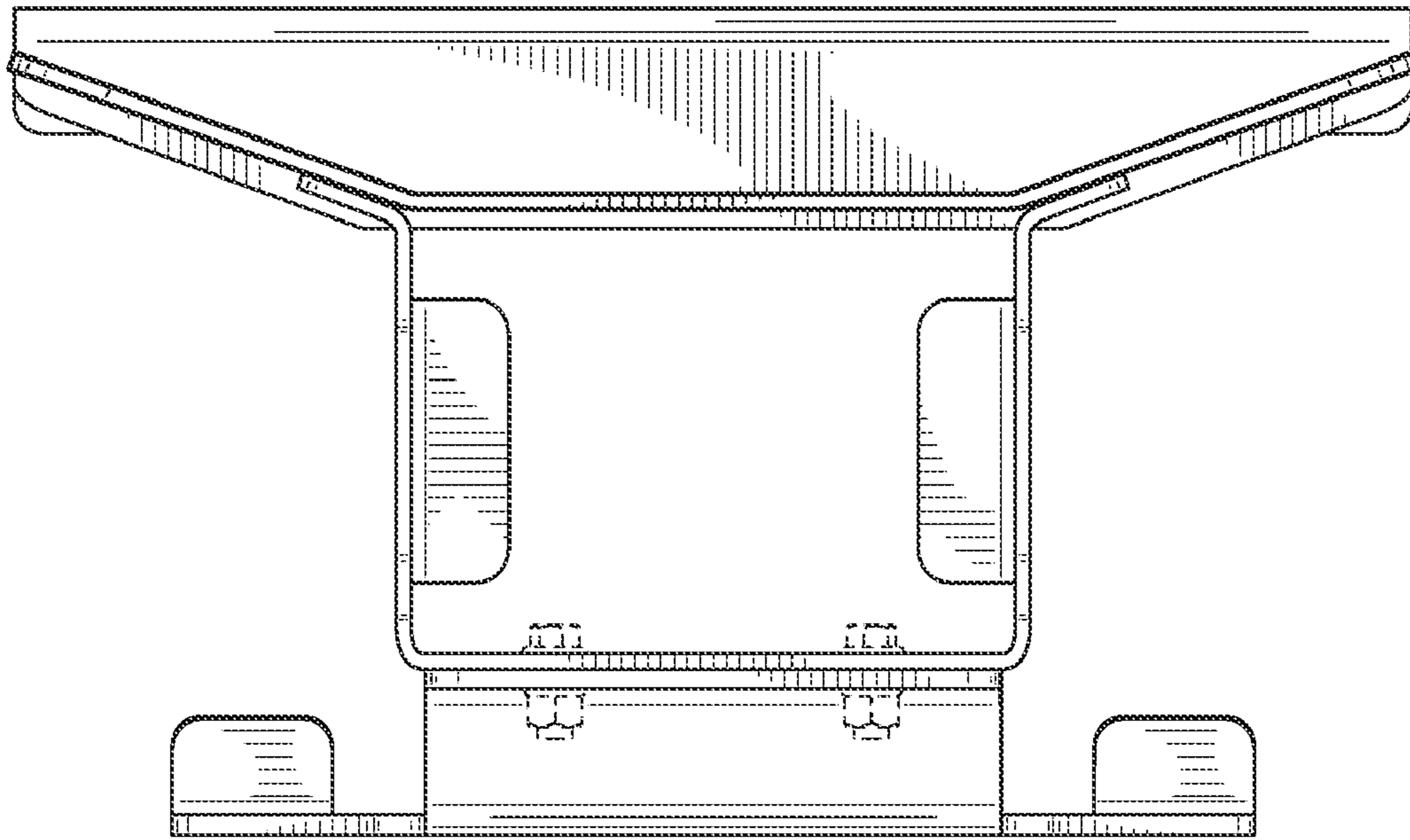


FIG. 4

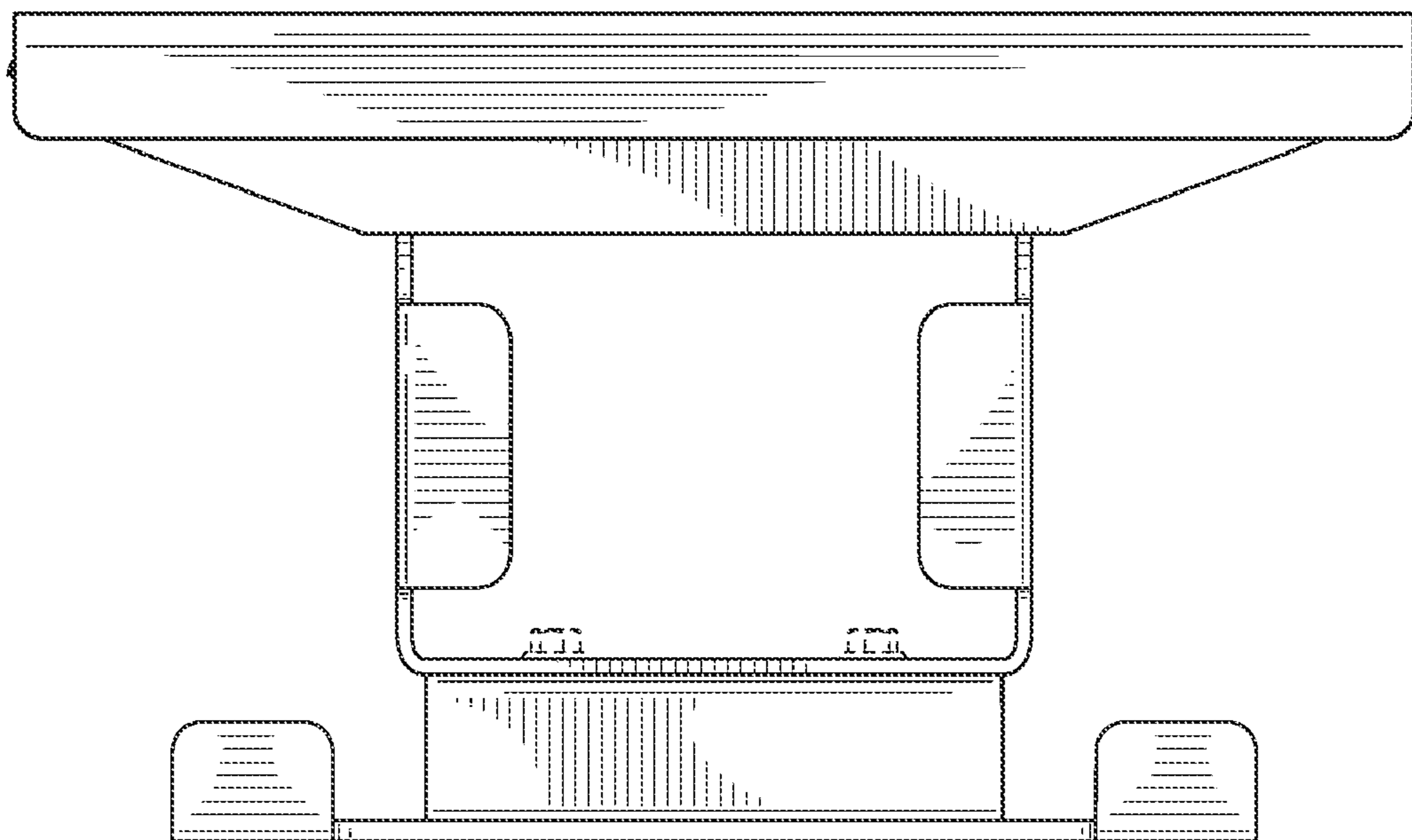


FIG. 5

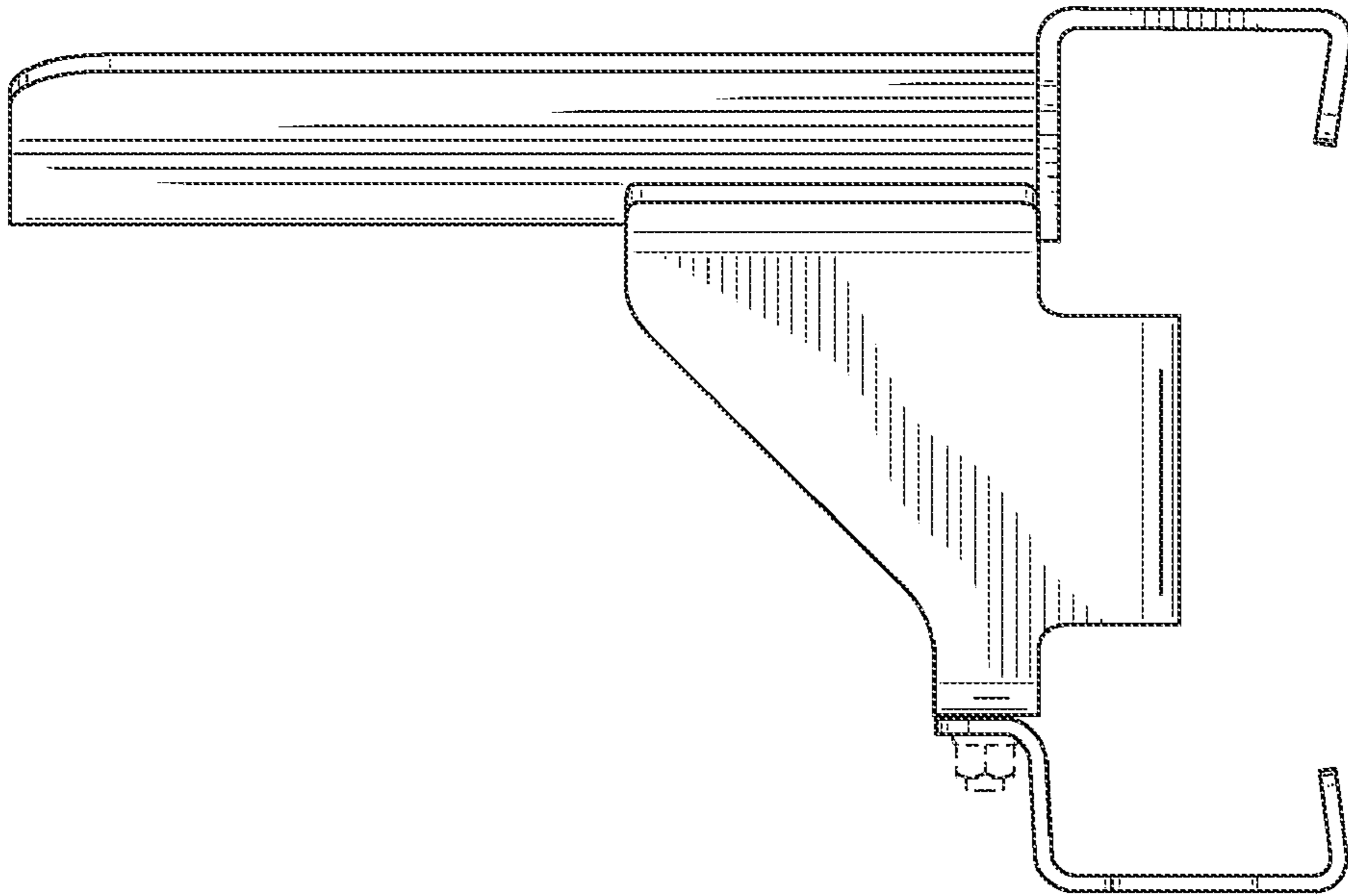


FIG. 6

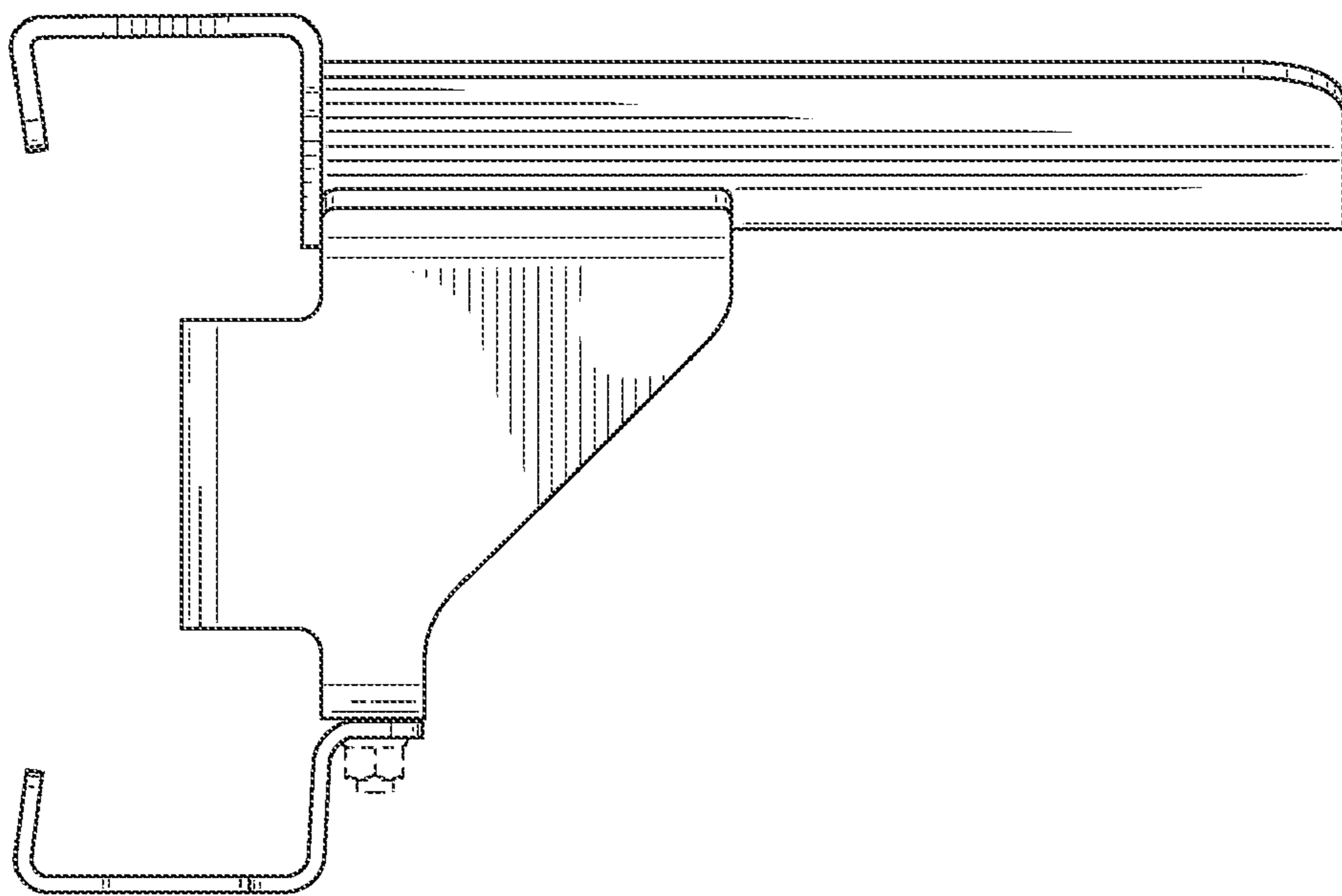


FIG. 7

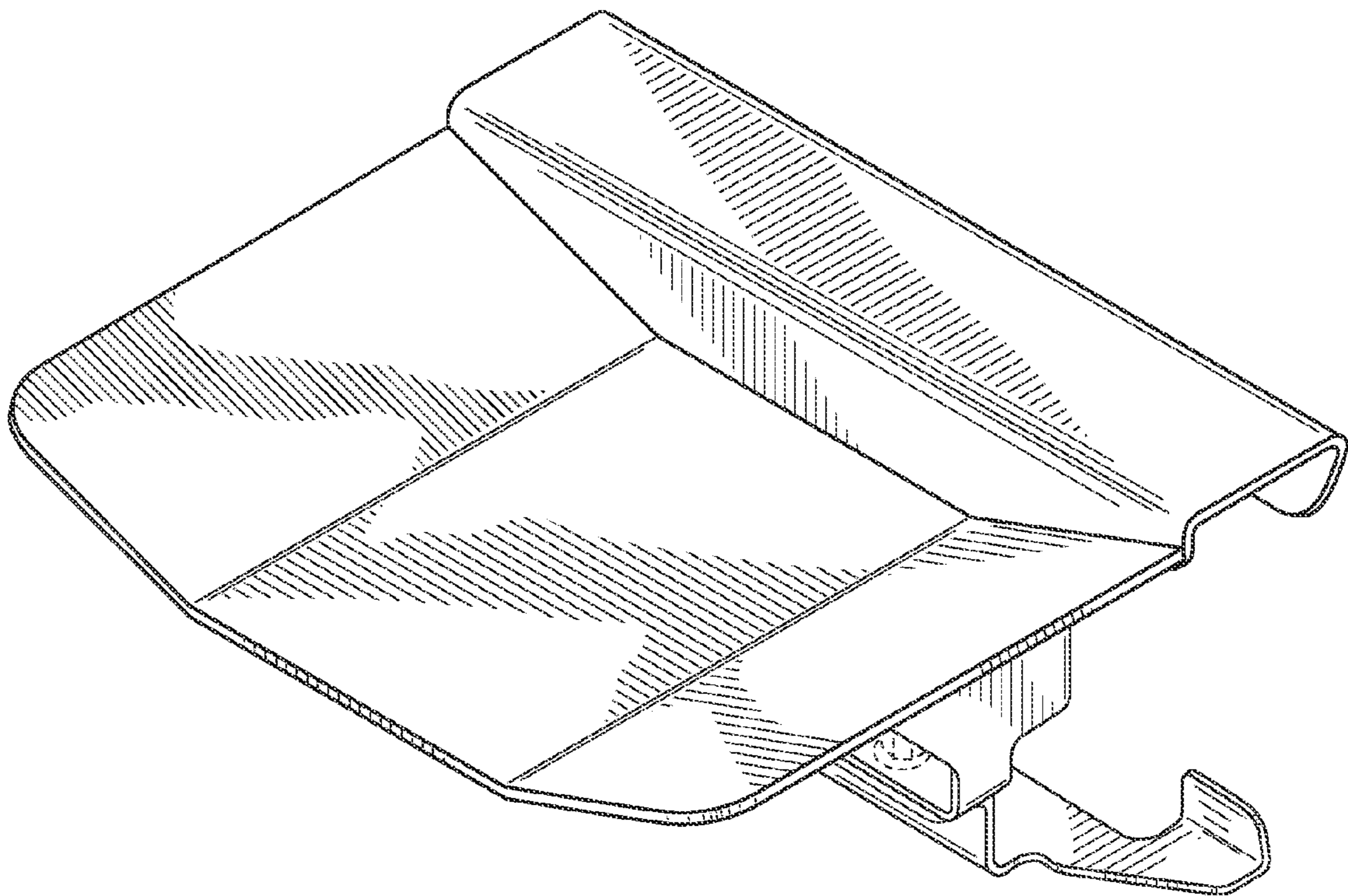


FIG. 8