



US00D635494S

(12) **United States Design Patent**  
**Ohnishi**

(10) **Patent No.:** **US D635,494 S**

(45) **Date of Patent:** **\*\* Apr. 5, 2011**

(54) **FRAME STRUCTURE OF BABY CARRIAGE**

(75) Inventor: **Ichiro Ohnishi**, Nara (JP)

(73) Assignee: **Aprica Children's Products Inc.**, Osaka (JP)

(\*\*) Term: **14 Years**

(21) Appl. No.: **29/362,133**

(22) Filed: **May 20, 2010**

(30) **Foreign Application Priority Data**

Nov. 24, 2009 (JP) ..... 2009-027346

(51) **LOC (9) Cl.** ..... **12-12**

(52) **U.S. Cl.** ..... **D12/133**

(58) **Field of Classification Search** ..... D12/128-133;  
D6/360, 367; 280/62, 647-650, 29, 200,  
280/47.38, 250.1, 259, 642, 658; 297/DIG. 4;  
296/65.03, 65.04; 224/409; D21/425, 426;  
D34/17, 18

See application file for complete search history.

(56) **References Cited**

**U.S. PATENT DOCUMENTS**

5,524,969 A \* 6/1996 Harrison et al. .... 297/354.12  
5,806,877 A \* 9/1998 Huang ..... 280/642  
6,308,805 B1 \* 10/2001 Lan ..... 188/20

6,322,097 B1 \* 11/2001 Lan ..... 280/642  
D452,197 S \* 12/2001 Martin et al. .... D12/133  
D452,462 S \* 12/2001 Lan ..... D12/129  
D486,429 S \* 2/2004 Daykin ..... D12/129  
6,951,342 B2 \* 10/2005 Lan ..... 280/47.4  
D609,612 S \* 2/2010 Chen et al. .... D12/129  
D615,004 S \* 5/2010 Ohnishi ..... D12/129  
D616,792 S \* 6/2010 Jacobs ..... D12/129

\* cited by examiner

*Primary Examiner* — Ian Simmons

*Assistant Examiner* — Charles D Hanson

(74) *Attorney, Agent, or Firm* — Lempia Summerfield Katz LLC

(57) **CLAIM**

The ornamental design for a frame structure of baby carriage, as shown and described.

**DESCRIPTION**

FIG. 1 is a front view of a frame structure of baby carriage showing my new design;  
FIG. 2 is a rear view thereof;  
FIG. 3 is a top plan view thereof;  
FIG. 4 is a bottom plan view thereof;  
FIG. 5 is a right side view thereof;  
FIG. 6 is a left side view thereof; and,  
FIG. 7 is a perspective view thereof.

The broken line showing of the stroller frame is included for the purpose of illustrating environment and forms no part of the claimed design.

**1 Claim, 7 Drawing Sheets**

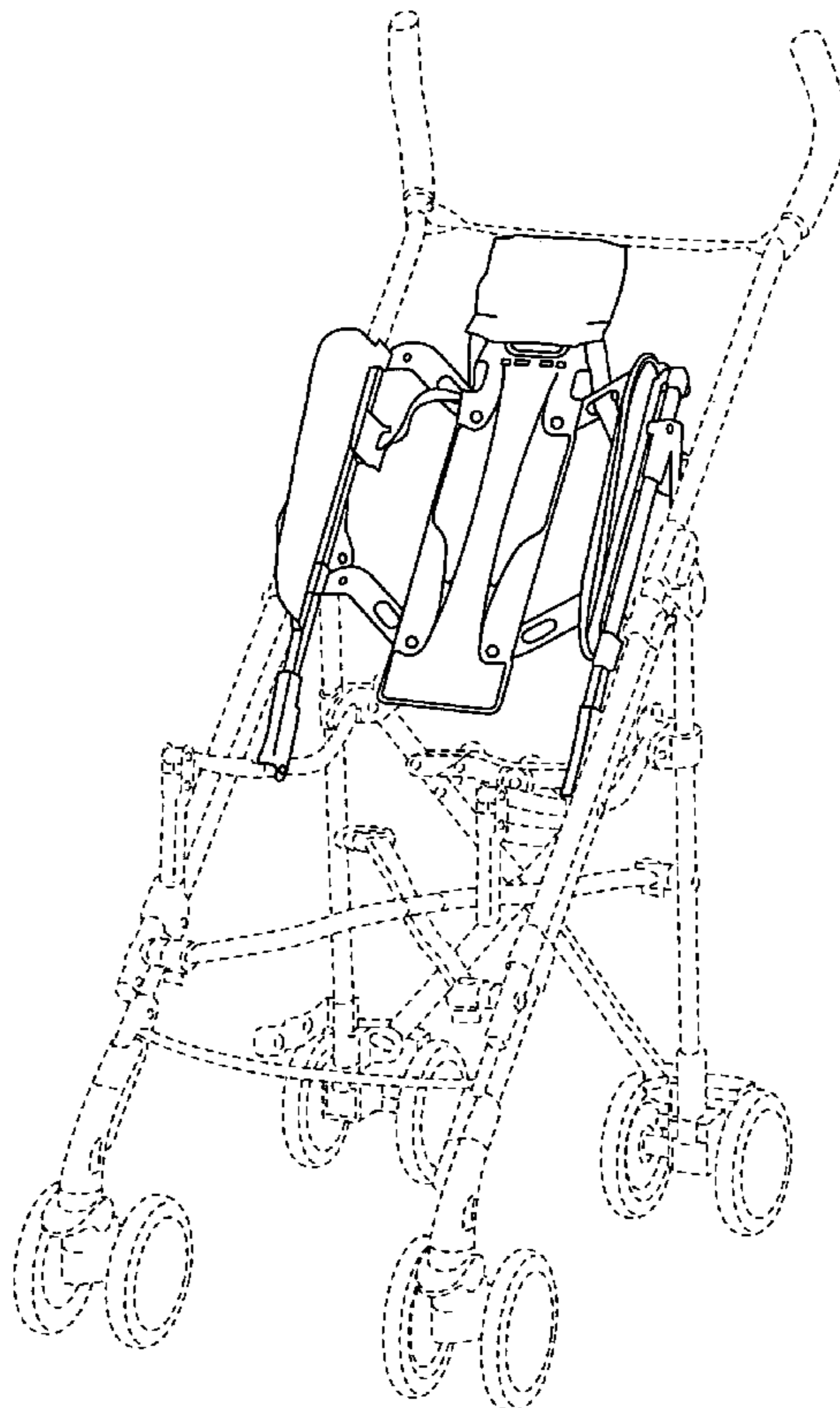


FIG.1

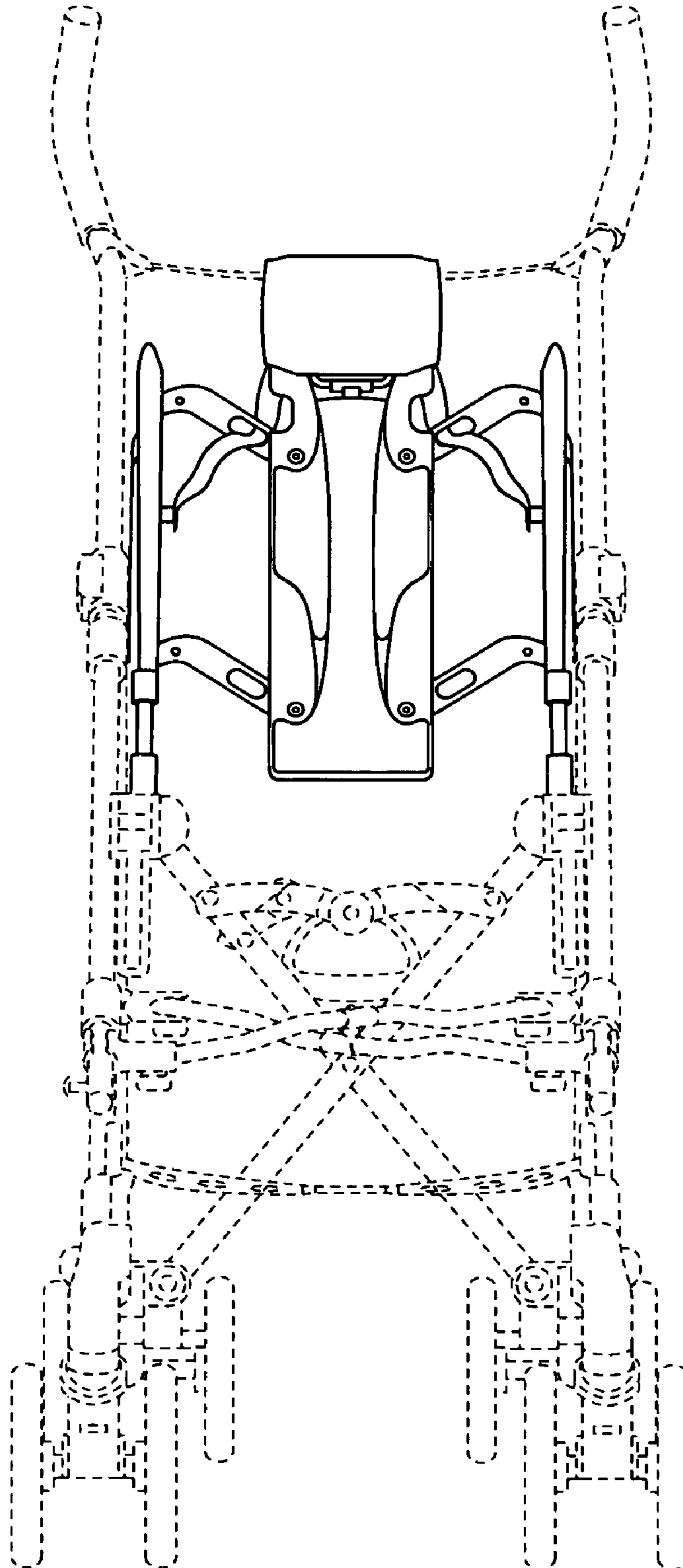


FIG.2

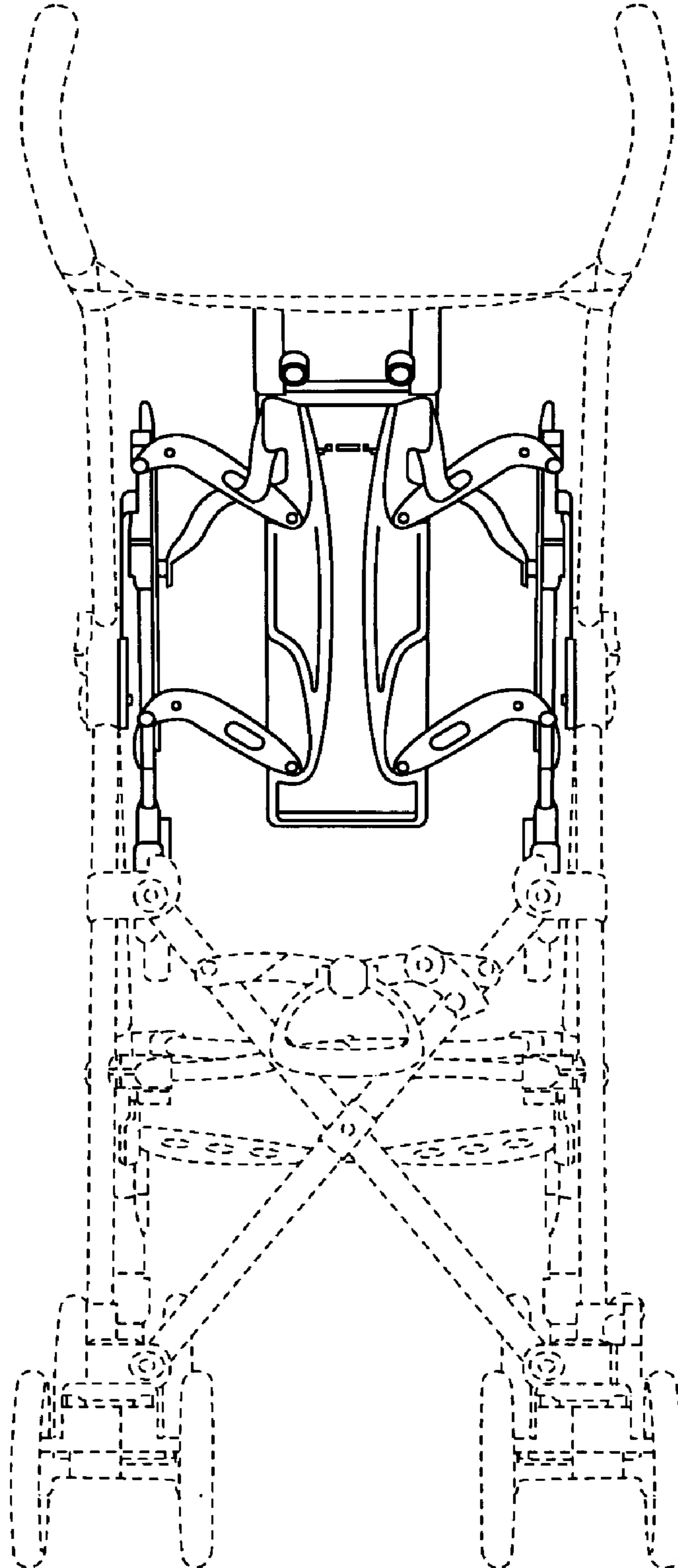


FIG.3

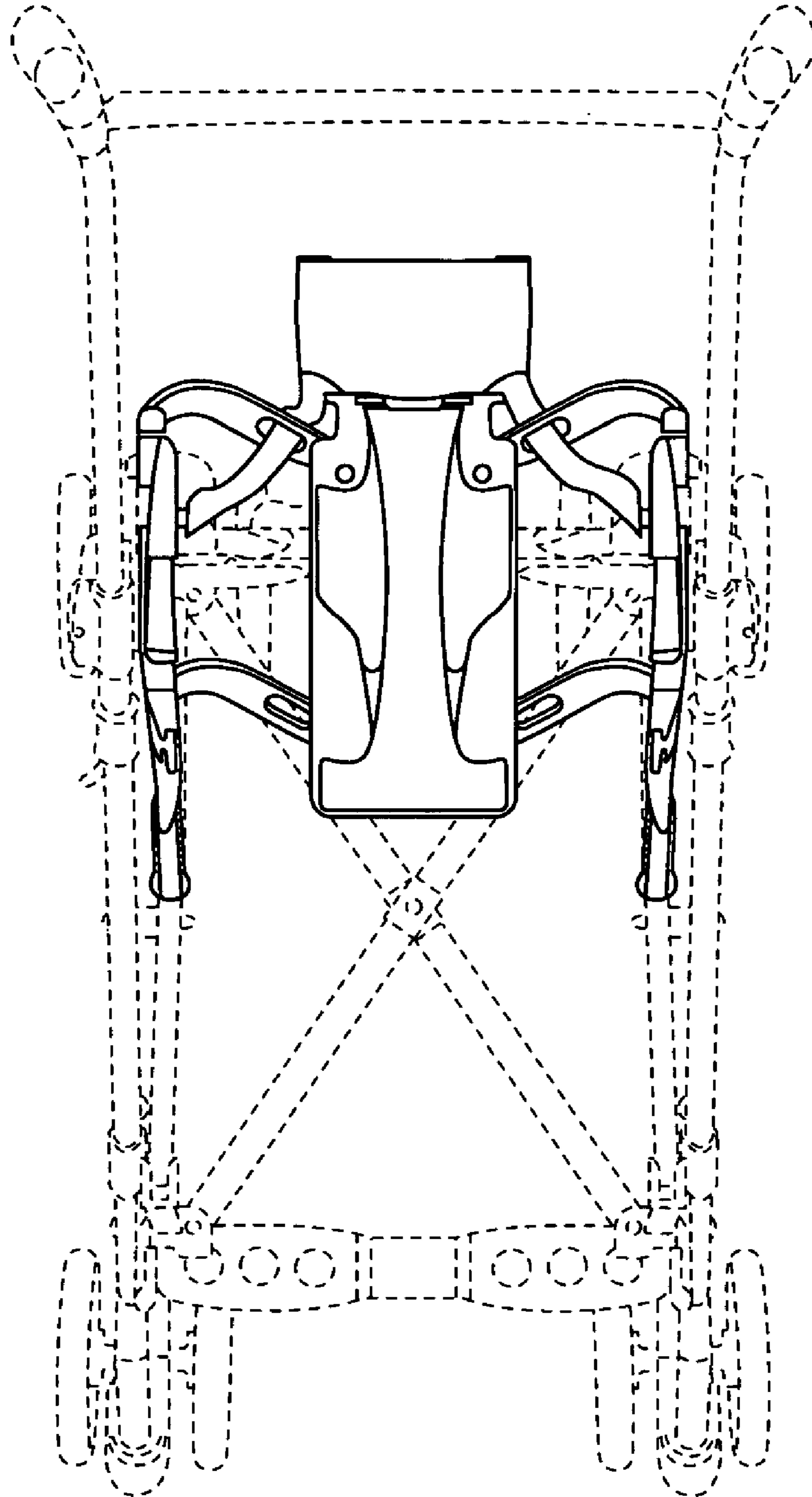


FIG. 4

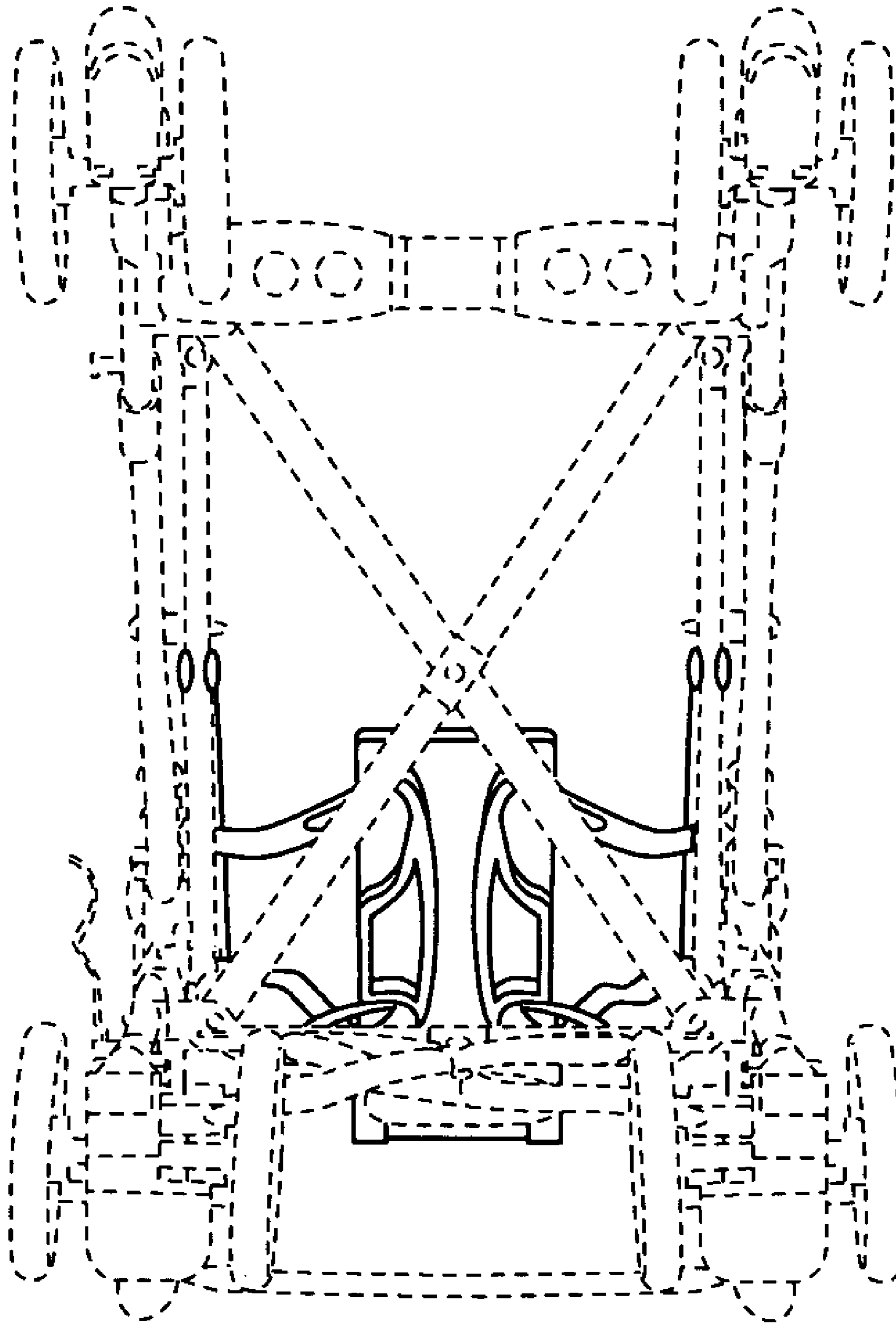


FIG.5

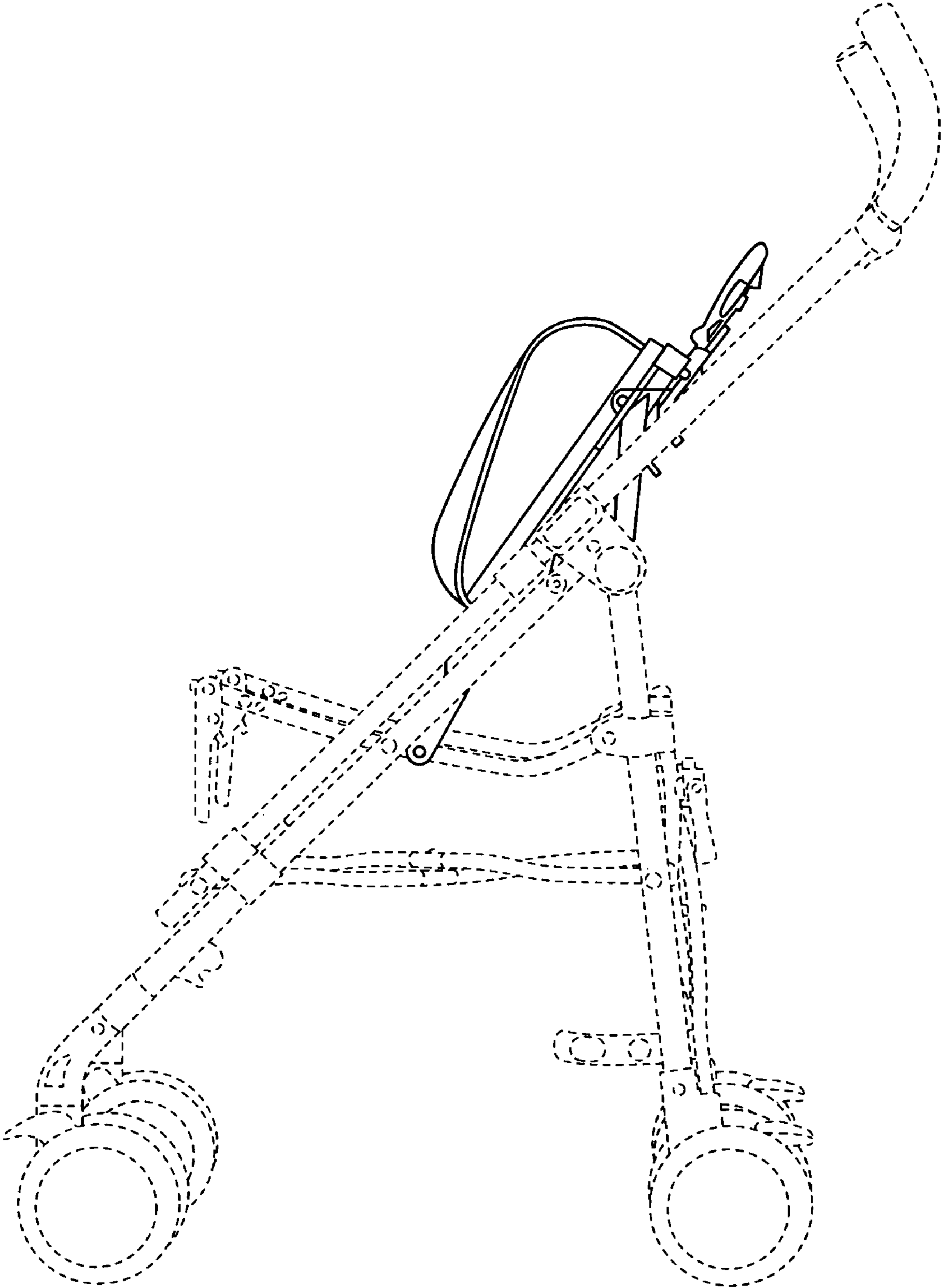


FIG.6

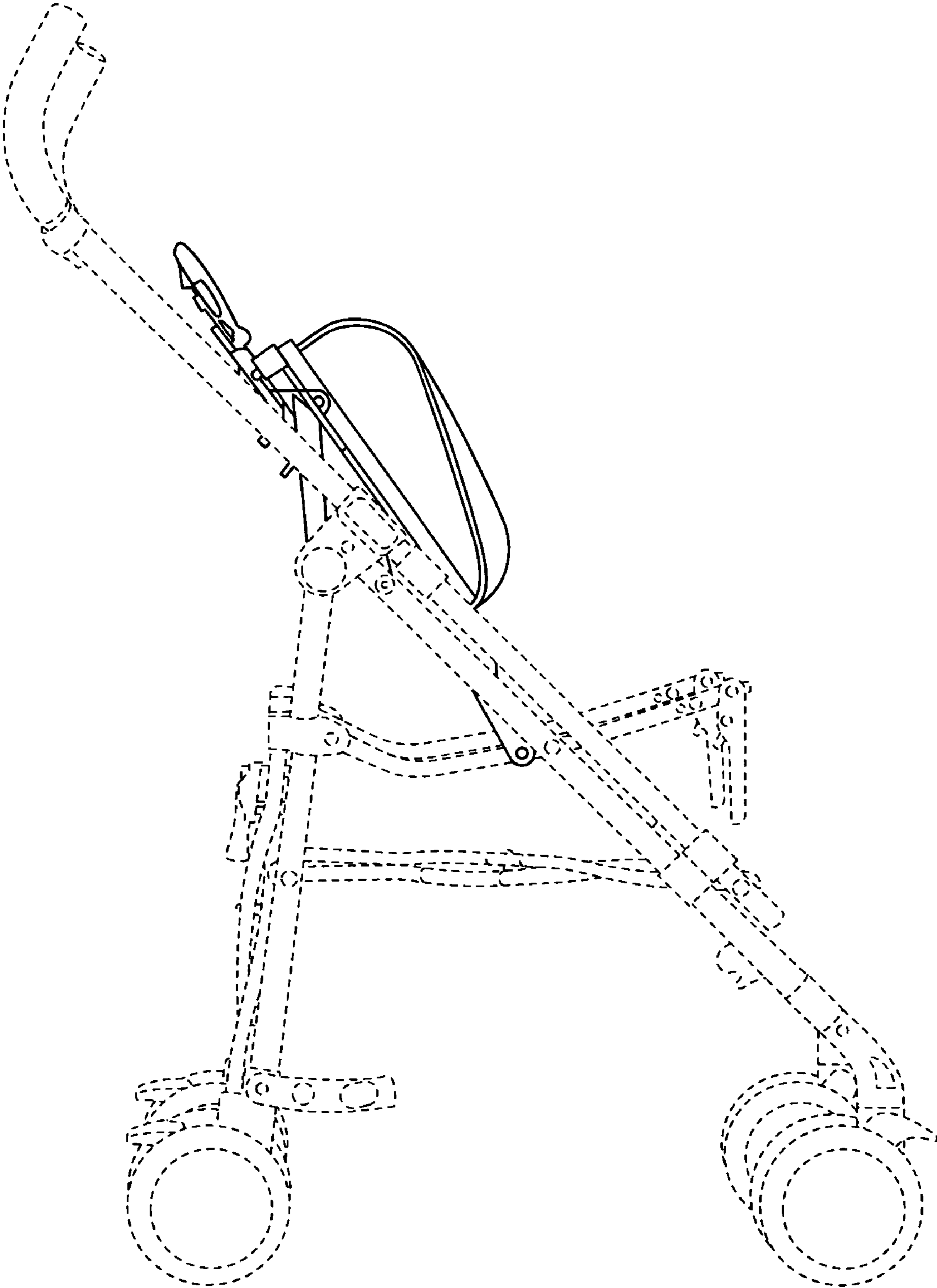


FIG. 7

