

US00D635493S

(12) **United States Design Patent**
Art et al.

(10) **Patent No.:** **US D635,493 S**

(45) **Date of Patent:** **** Apr. 5, 2011**

(54) **COMBINED SHROUD AND BATTERY COMPARTMENT FOR A WHEELCHAIR**

(75) Inventors: **Christopher Art**, Dickson City, PA (US); **Christopher Grymko**, Laflin, PA (US); **Matthew Tolan**, Dunmore, PA (US); **Gerald White**, Hunlock, PA (US)

(73) Assignee: **Pride Mobility Products Corporation**, Exeter, PA (US)

(**) Term: **14 Years**

(21) Appl. No.: **29/345,210**

(22) Filed: **Oct. 12, 2009**

(51) **LOC (9) Cl.** **12-12**

(52) **U.S. Cl.** **D12/133**

(58) **Field of Classification Search** D12/128-133;
280/62, 647-650, 29, 200, 47.38, 250.1,
280/259, 642, 658; 297/DIG. 4; 296/65.03,
296/65.04; 224/209; 414/921; 135/65-67,
135/74; D6/360, 368

See application file for complete search history.

(56) **References Cited**

U.S. PATENT DOCUMENTS

4,165,093	A	8/1979	Biskup	
4,355,695	A	10/1982	Leskovec	
D294,476	S *	3/1988	Michel et al.	D12/133
4,967,864	A	11/1990	Boyer et al.	
5,121,806	A	6/1992	Johnson	
5,150,762	A *	9/1992	Stegeman et al.	180/208
D404,693	S	1/1999	Schaffner	
6,053,519	A	4/2000	Poindexter et al.	
D428,367	S	7/2000	Lundh	
6,095,271	A	8/2000	Dickie et al.	
6,145,612	A	11/2000	Dickie	
6,186,256	B1	2/2001	Dignitti	
6,247,714	B1	6/2001	Rasmussen et al.	
D468,669	S	1/2003	Hopely, Jr.	
6,508,322	B2	1/2003	Dignitti et al.	
6,699,616	B2	3/2004	Wu	

D491,115	S	6/2004	Taylor	
D494,110	S	8/2004	Cheng	
6,932,371	B2	8/2005	Perez	
7,040,429	B2	5/2006	Molnar	
D536,283	S	2/2007	Cartellone et al.	
D540,221	S	4/2007	Cartellone et al.	
7,207,403	B2	4/2007	Grymko et al.	
7,252,168	B2 *	8/2007	Lin et al.	180/208
D561,066	S	2/2008	Cheng et al.	
7,357,206	B2	4/2008	Fobean	
7,413,045	B2	8/2008	Tien	
D590,304	S	4/2009	Kruse	
D600,169	S *	9/2009	Chiu	D12/133
D611,392	S *	3/2010	Carlton et al.	D12/128
D612,303	S *	3/2010	Carlton et al.	D12/133
2004/0084230	A1	5/2004	Grymko et al.	
2007/0001442	A1	1/2007	Chiu	
2008/0087481	A1	4/2008	Grymko et al.	
2009/0000835	A1	1/2009	Jones et al.	

* cited by examiner

Primary Examiner — Ian Simmons

Assistant Examiner — Charles D Hanson

(74) *Attorney, Agent, or Firm* — Woodcock Washburn LLP

(57) **CLAIM**

The ornamental design for a combined shroud and battery compartment for a wheelchair, as shown and described.

DESCRIPTION

FIG. 1 is a perspective view showing a combined shroud and battery compartment for a wheelchair, according to our design;

FIG. 2 is a top view thereof;

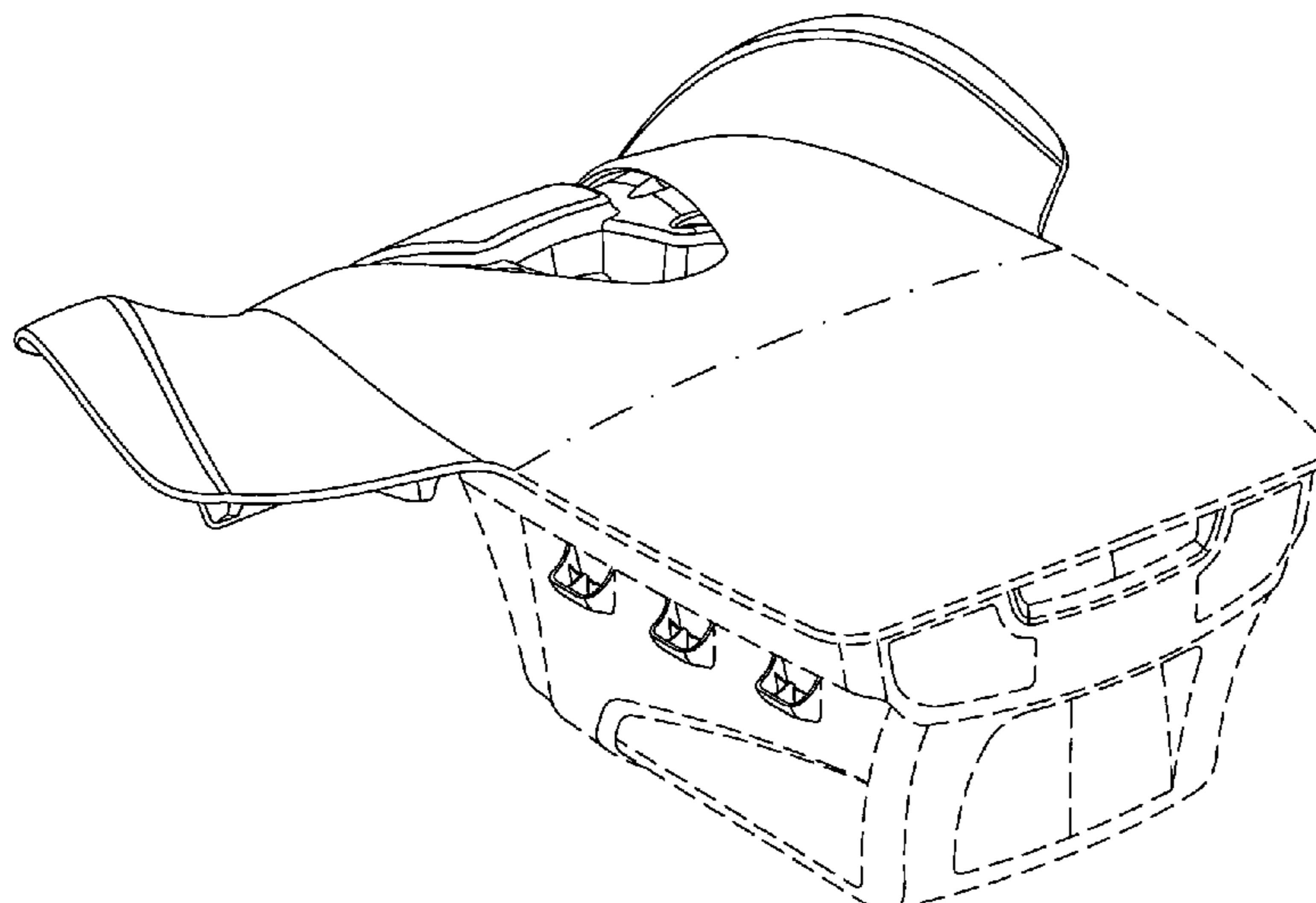
FIG. 3 is a front view thereof;

FIG. 4 is a left side view thereof; and,

FIG. 5 is a back view thereof.

The broken line illustrated as a dash-dot-dash that extends across the top of the shroud represent the bounds of the claimed design while all other broken lines are directed to environment and are for illustrative purposes only the broken lines form no part of the claimed design.

1 Claim, 5 Drawing Sheets



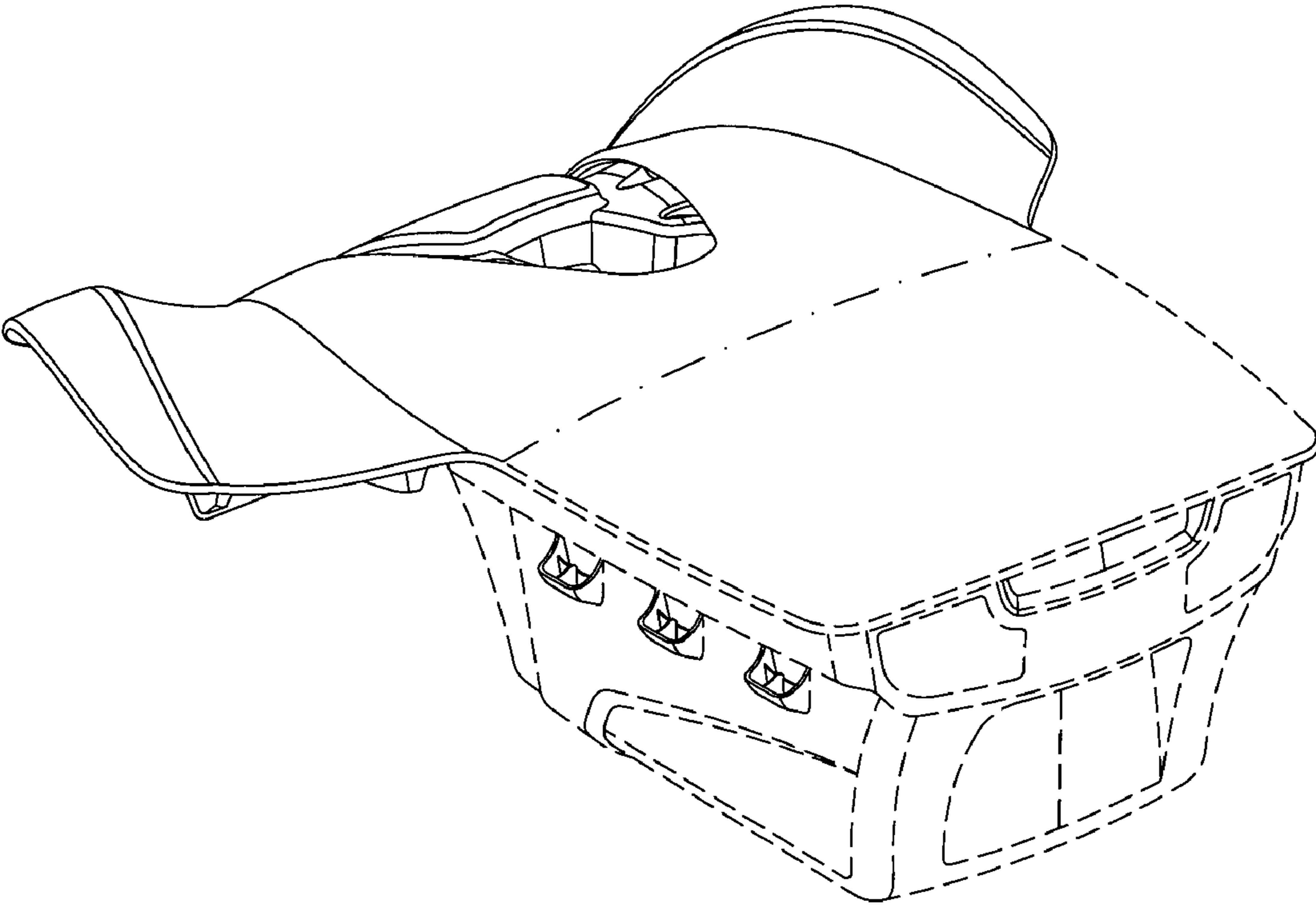


FIG. 1

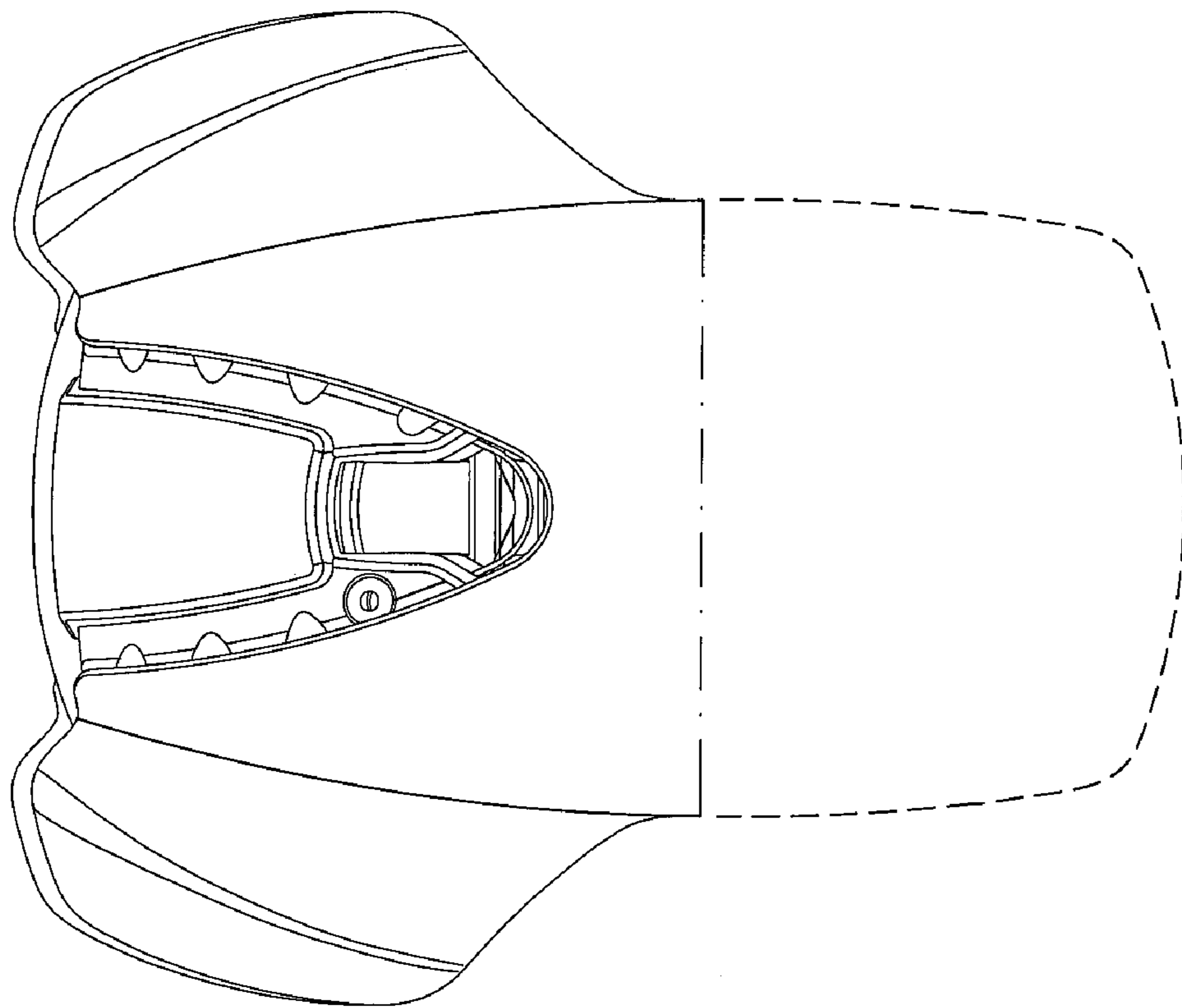


FIG. 2

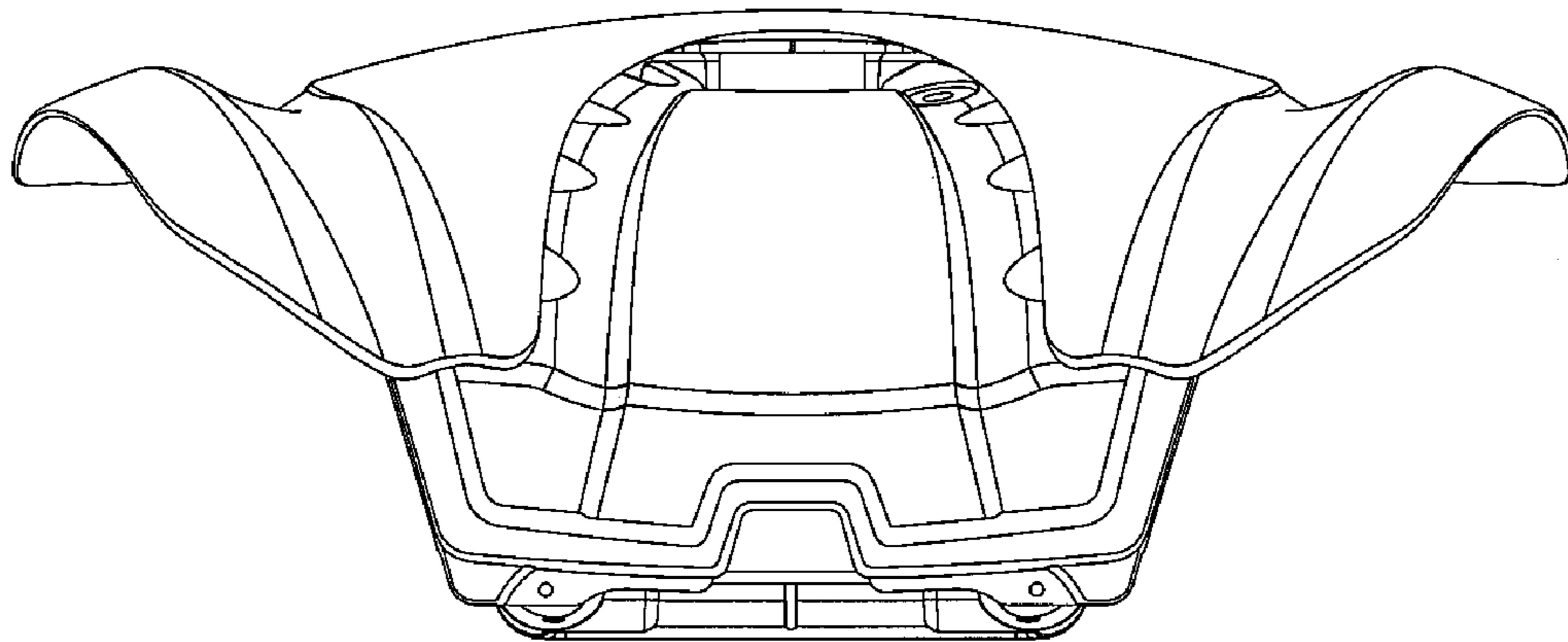


FIG. 3

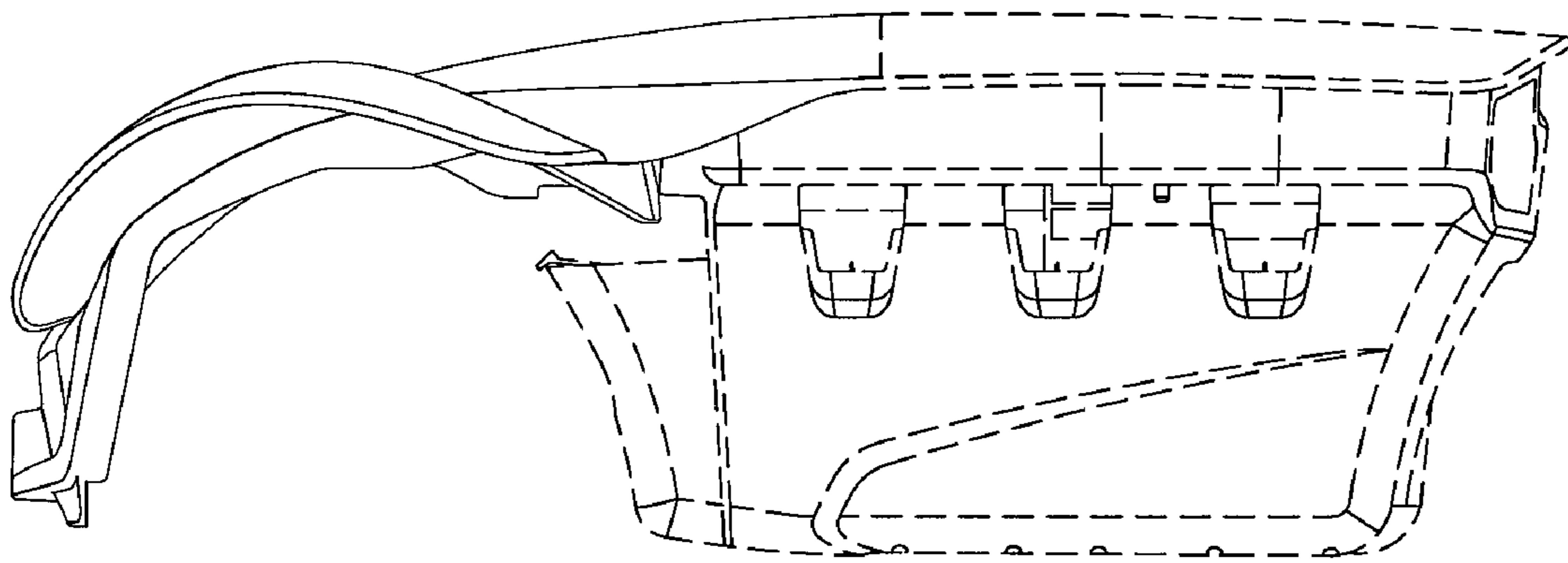


FIG. 4

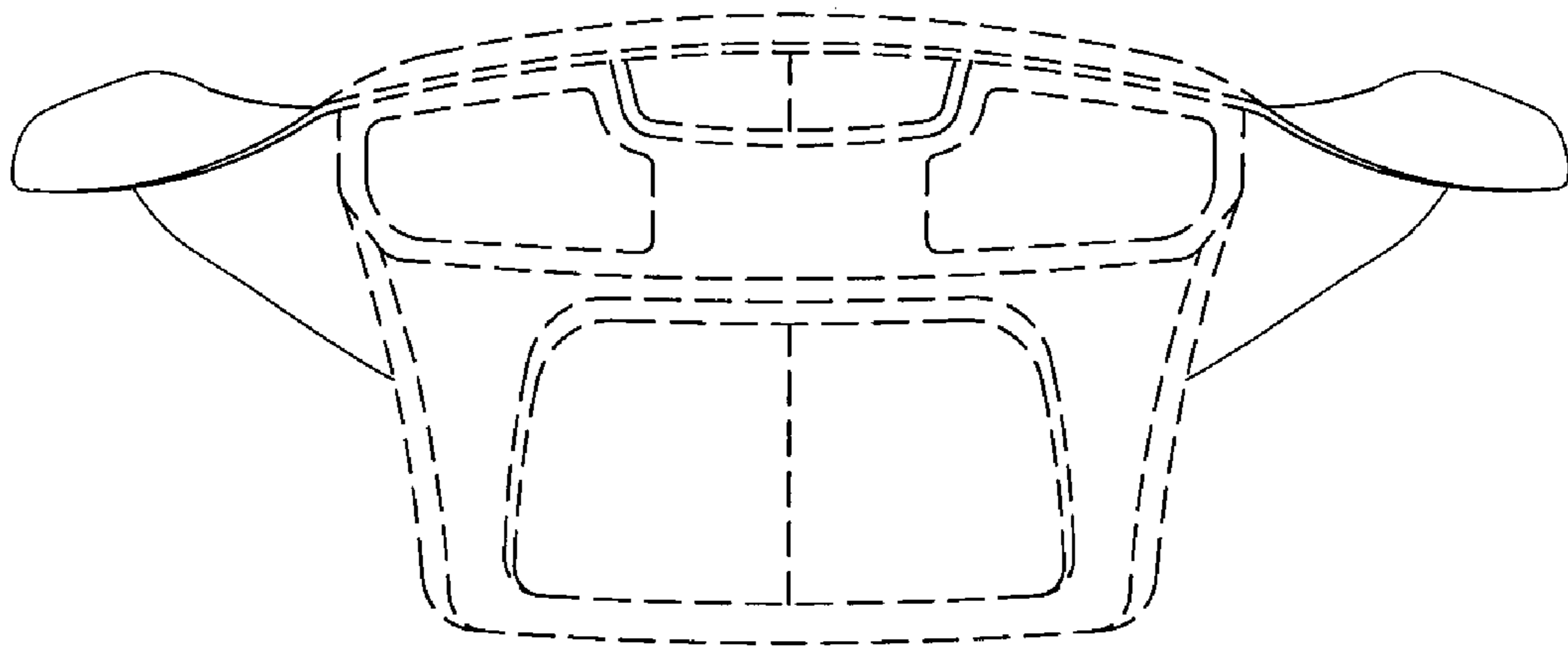


FIG. 5