



US00D635491S

(12) **United States Design Patent**
Ohnishi

(10) **Patent No.:** **US D635,491 S**

(45) **Date of Patent:** **** Apr. 5, 2011**

(54) **FRAME STRUCTURE OF BABY CARRIAGE**

(75) Inventor: **Ichiro Ohnishi**, Nara (JP)

(73) Assignee: **Aprica Children's Products Inc.**, Osaka (JP)

(**) Term: **14 Years**

(21) Appl. No.: **29/362,134**

(22) Filed: **May 20, 2010**

(30) **Foreign Application Priority Data**

Nov. 24, 2009 (JP) 2009-027345

(51) **LOC (9) Cl.** **12-12**

(52) **U.S. Cl.** **D12/129**

(58) **Field of Classification Search** D12/128-133;
D6/360, 367; 280/62, 647-650, 29, 200,
280/47.38, 250.1, 259, 642, 658; 297/DIG. 4;
296/65.03, 65.04; 224/409; D21/425, 426;
D34/17, 18

See application file for complete search history.

(56) **References Cited**

U.S. PATENT DOCUMENTS

5,524,969 A * 6/1996 Harrison et al. 297/354.12
5,806,877 A * 9/1998 Huang 280/642

6,308,805 B1 * 10/2001 Lan 188/20
6,322,097 B1 * 11/2001 Lan 280/642
D452,197 S * 12/2001 Martin et al. D12/133
D452,462 S * 12/2001 Lan D12/129
D486,429 S * 2/2004 Daykin D12/129
6,951,342 B2 * 10/2005 Lan 280/47.4
D609,612 S * 2/2010 Chen et al. D12/129
D615,004 S * 5/2010 Ohnishi D12/129
D616,792 S * 6/2010 Jacobs D12/129

* cited by examiner

Primary Examiner — Ian Simmons

Assistant Examiner — Charles D Hanson

(74) *Attorney, Agent, or Firm* — Lempia Summerfield Katz LLC

(57) **CLAIM**

The ornamental design for a frame structure of baby carriage, as shown and described.

DESCRIPTION

FIG. 1 is a front view of a frame structure of baby carriage showing my new design;

FIG. 2 is a rear view thereof;

FIG. 3 is a top plan view thereof;

FIG. 4 is a bottom plan view thereof;

FIG. 5 is a right side view thereof;

FIG. 6 is a left side view thereof; and,

FIG. 7 is a perspective view thereof.

1 Claim, 7 Drawing Sheets

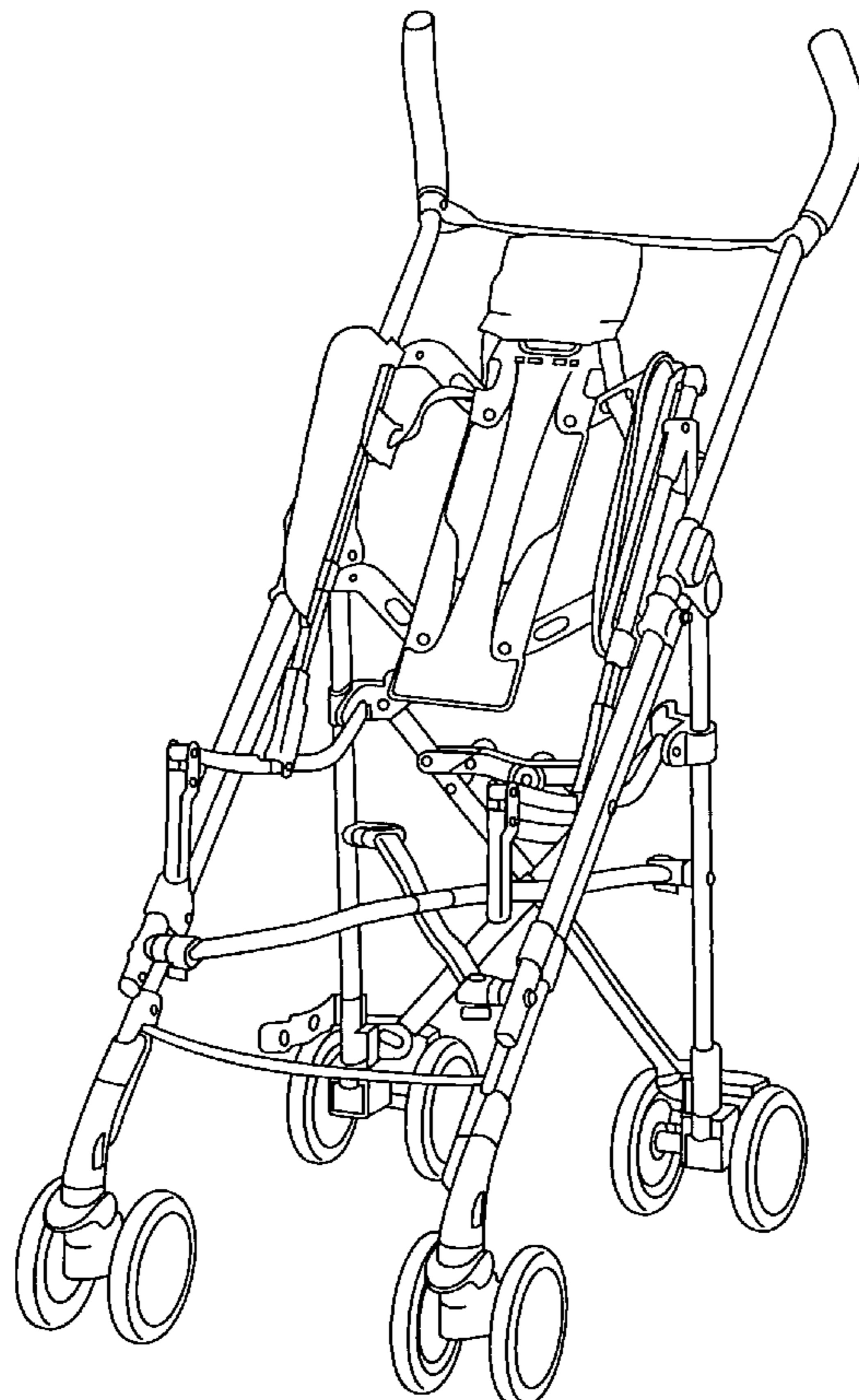


FIG. 1

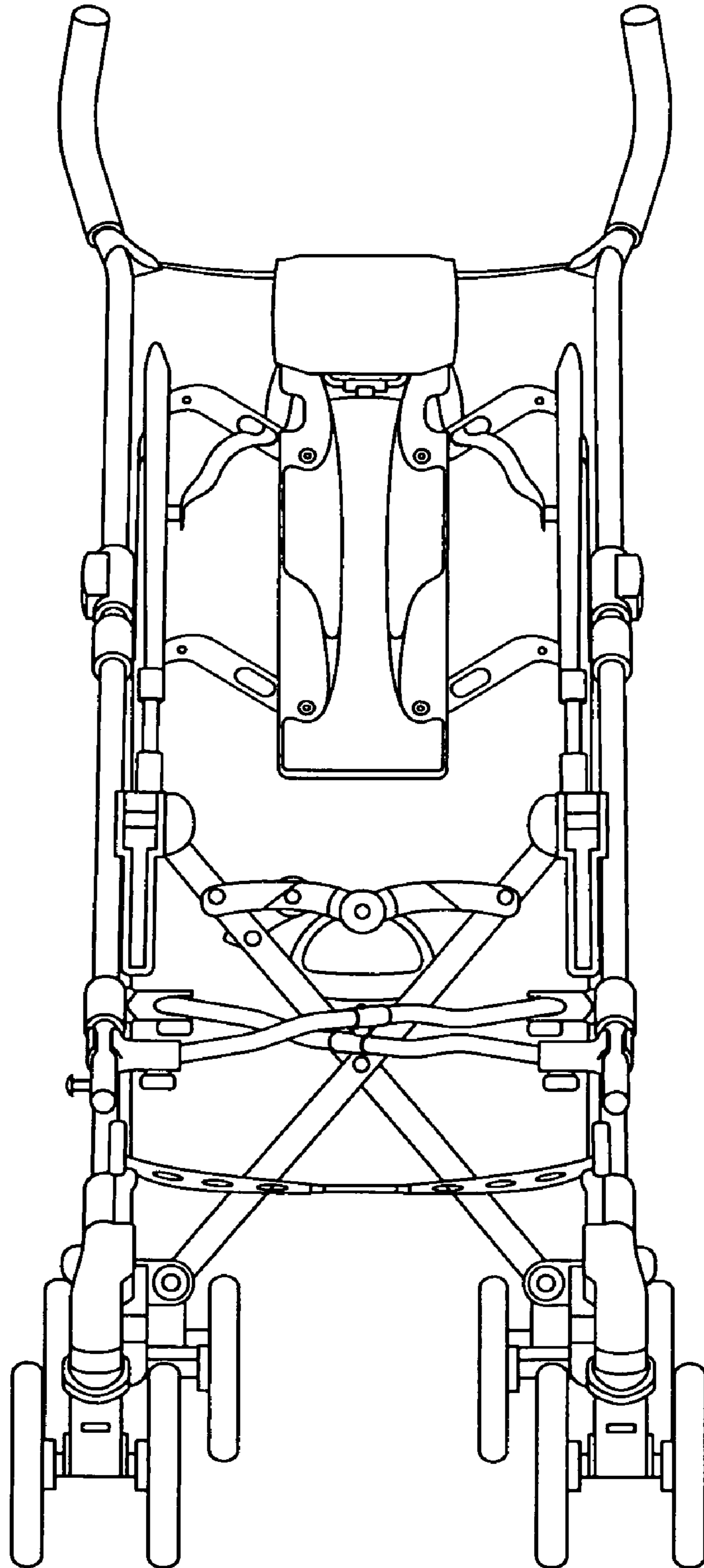


FIG.2

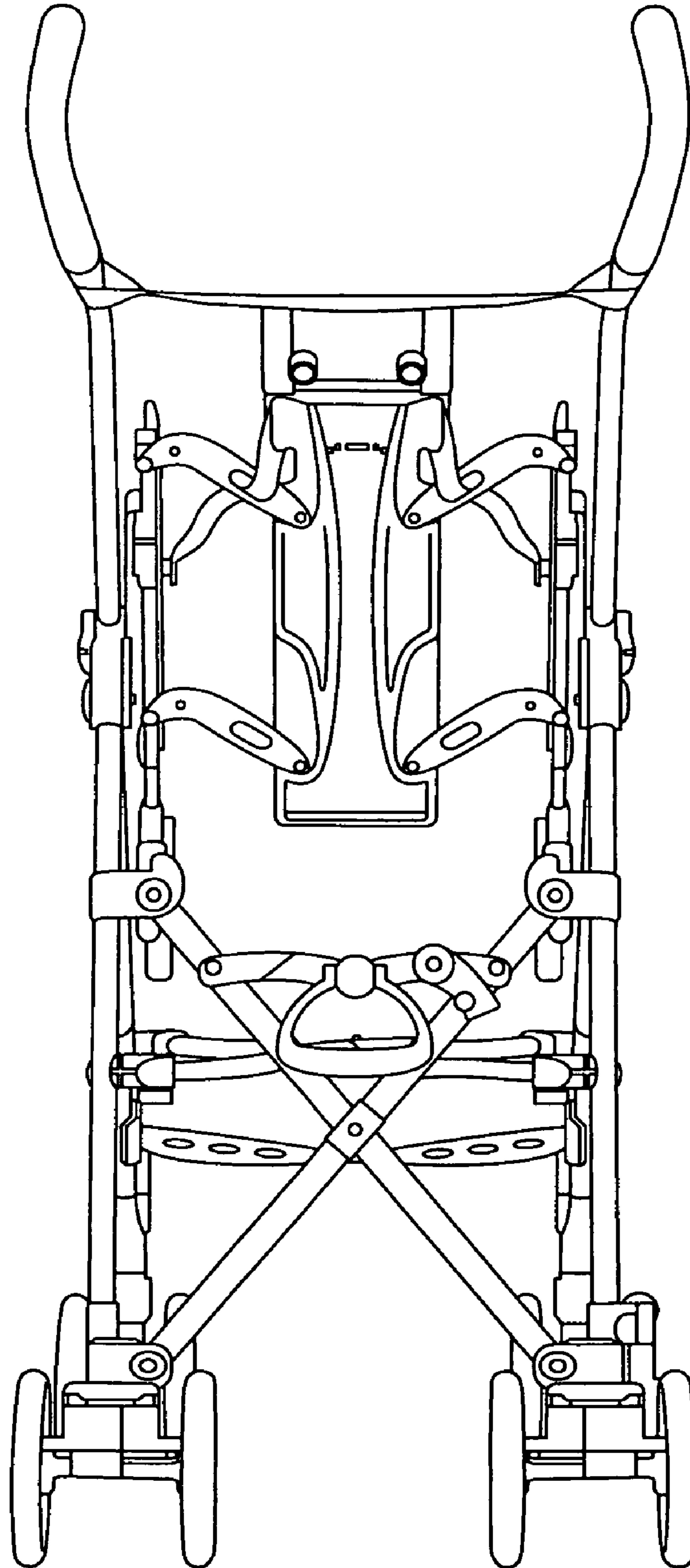


FIG.3

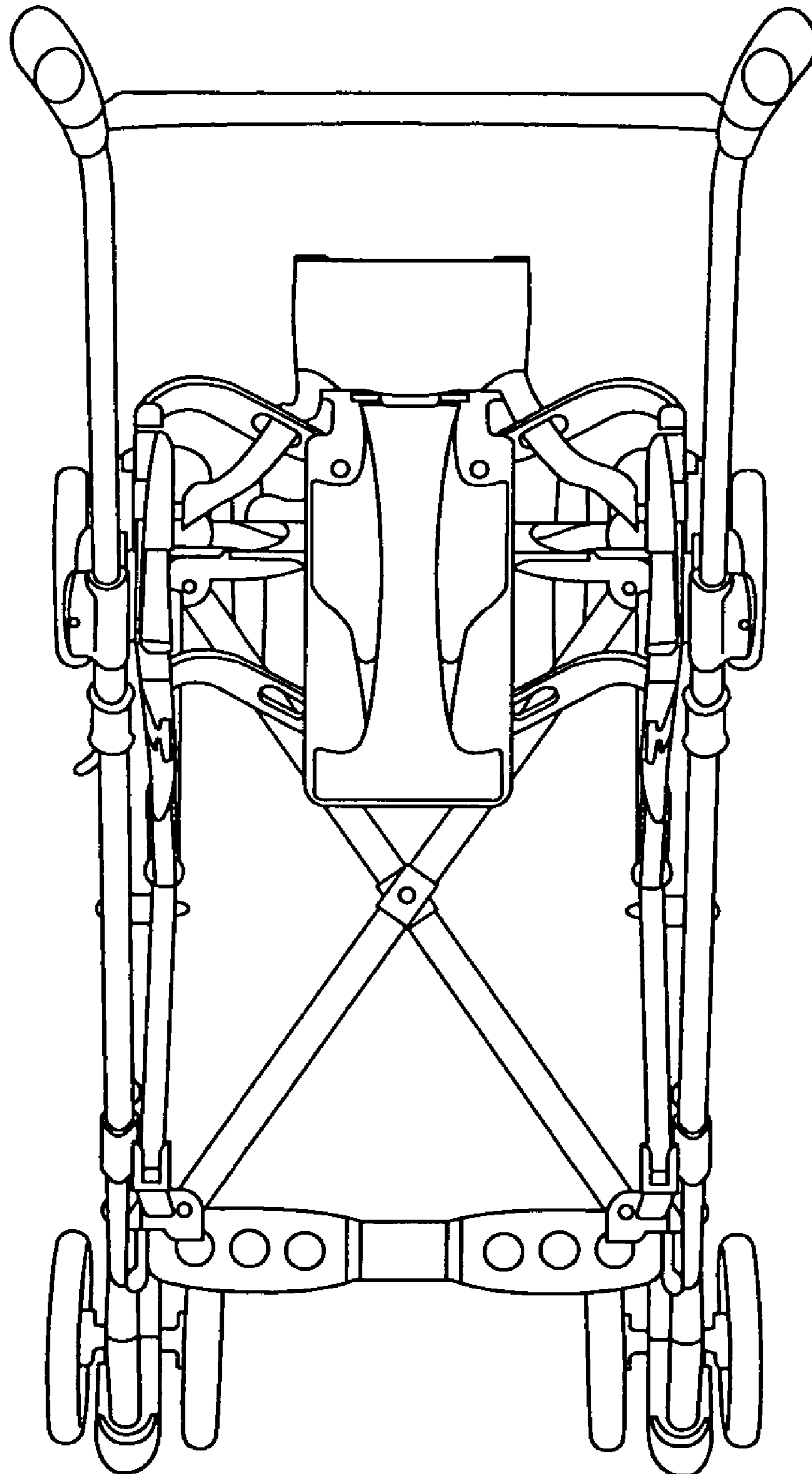


FIG.4

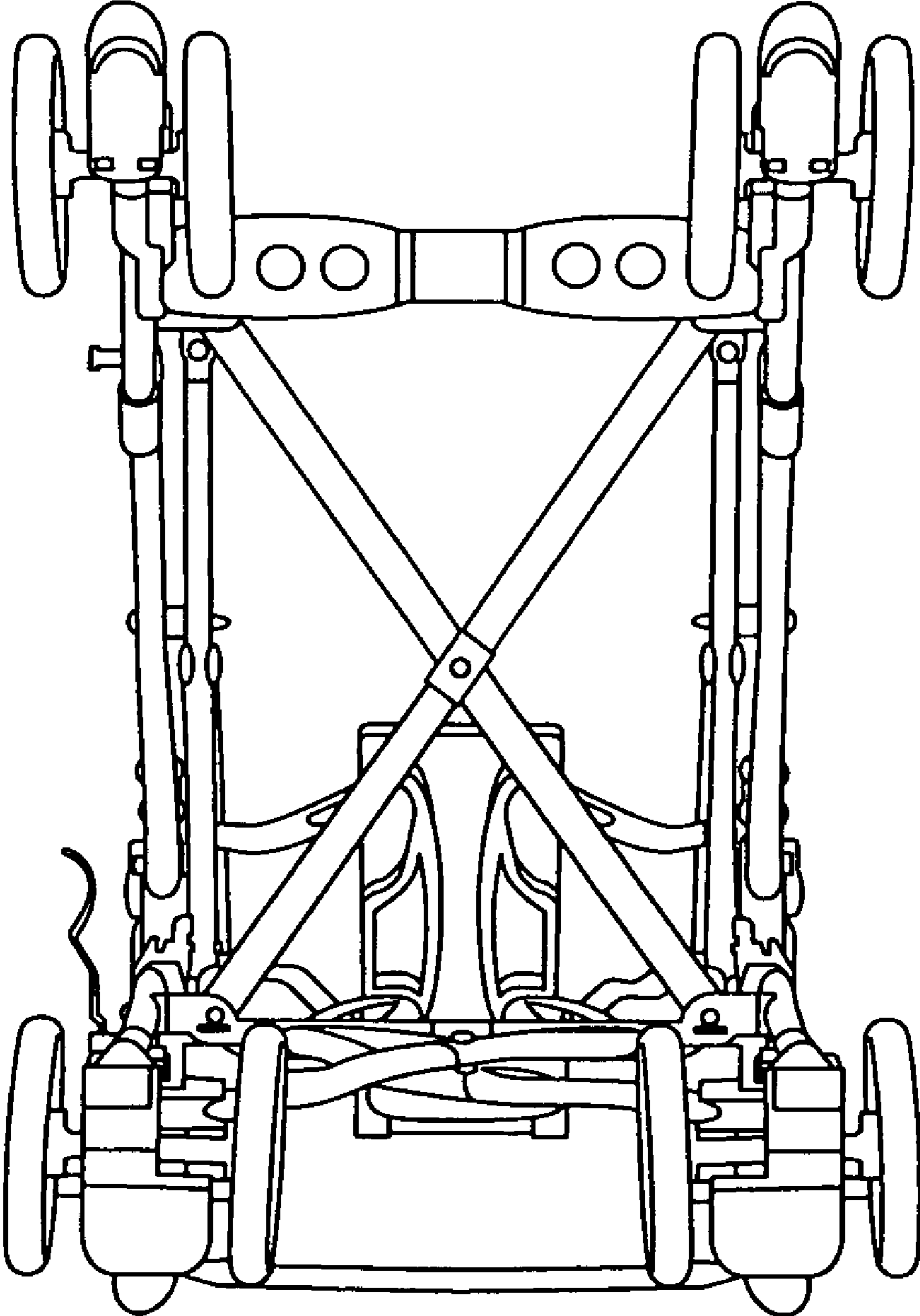


FIG.5

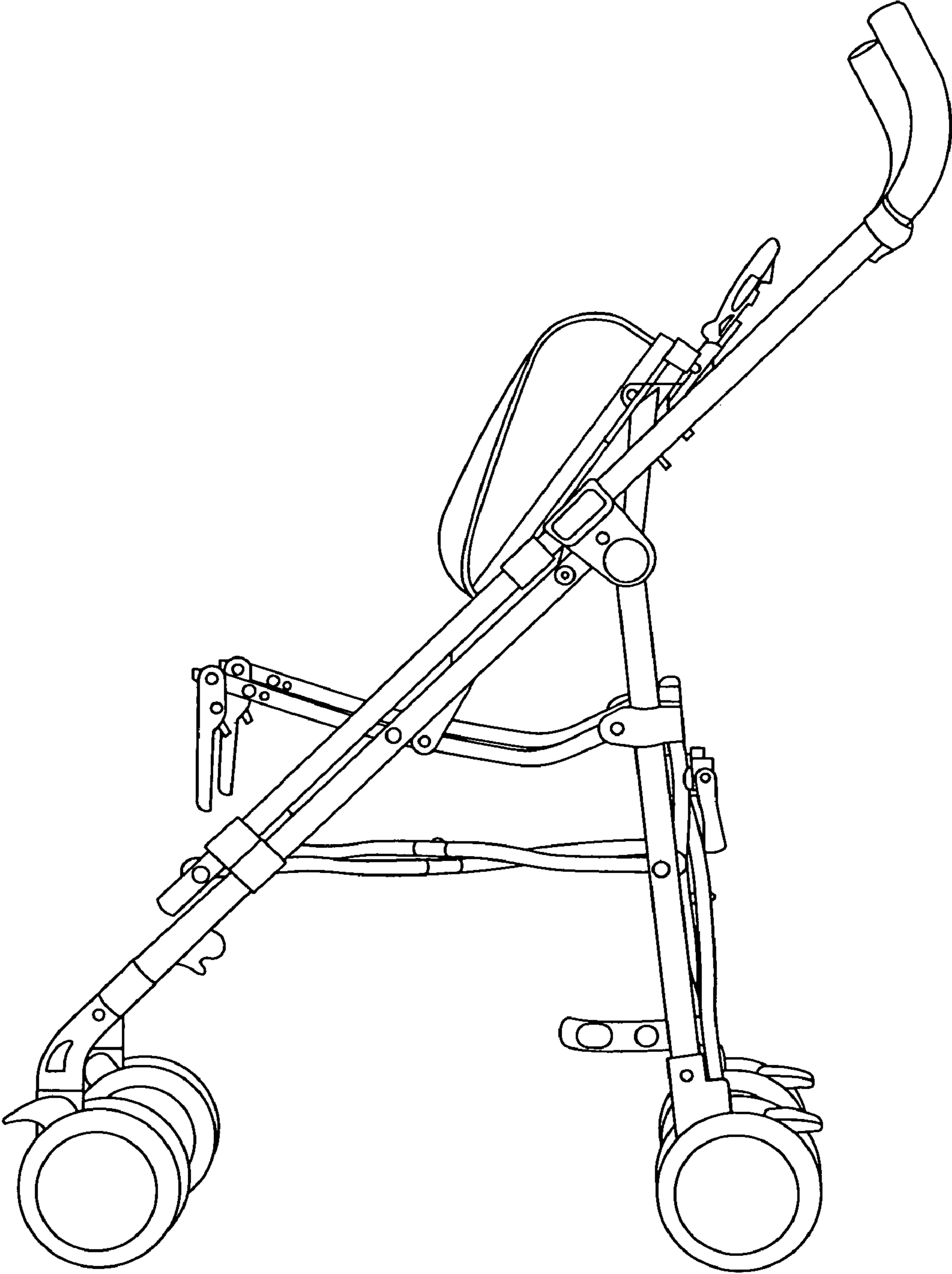


FIG.6

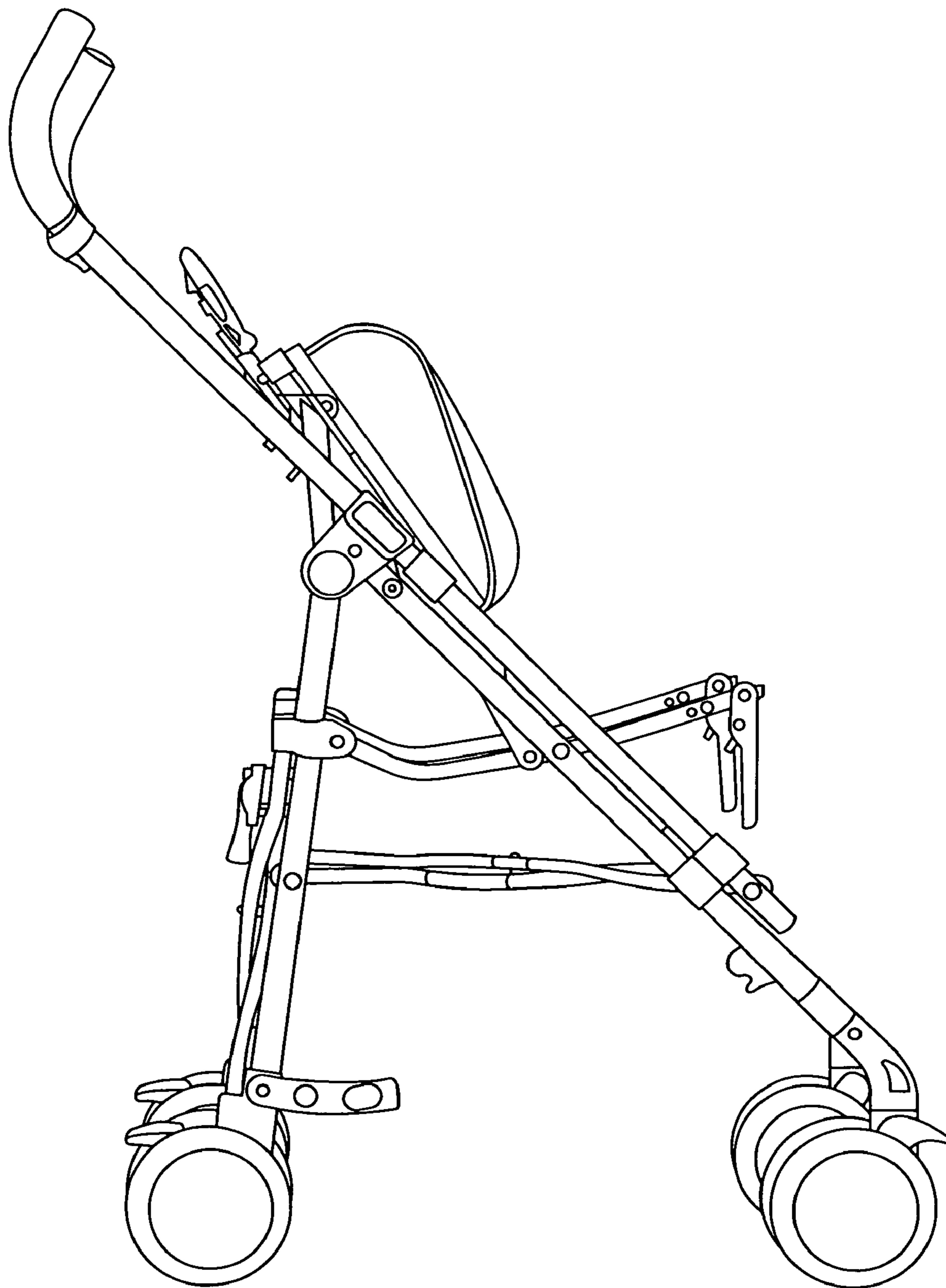


FIG. 7

