



US00D635486S

(12) **United States Design Patent**
Bodum

(10) **Patent No.:** **US D635,486 S**

(45) **Date of Patent:** **** Apr. 5, 2011**

(54) **SELF-WATERING FLOWER POT**

(75) Inventor: **Jorgen Bodum**, Meggen (CH)

(73) Assignee: **Pi-Design AG**, Triengen (CH)

(**) Term: **14 Years**

(21) Appl. No.: **29/361,331**

(22) Filed: **May 10, 2010**

(30) **Foreign Application Priority Data**

Nov. 23, 2009 (WO) 522571701
Jan. 19, 2010 (WO) 530039001

(51) **LOC (9) Cl.** **11-02**

(52) **U.S. Cl.** **D11/142; D11/152**

(58) **Field of Classification Search** D6/403-405,
D6/556-558; D8/1; D11/143-156, 164;
D19/77, 80, 81, 84; D25/100; D26/9-11,
D26/16, 19; D34/1, 2, 4-6; D99/5, 19; 47/17,
47/32.4, 32.5, 32.7, 33, 39, 41.01, 41.1, 41.11-41.15,
47/44-47, 65, 65.5, 65.9, 66.1, 66.2, 66.6,
47/66.7, 67-71

See application file for complete search history.

(56) **References Cited**

U.S. PATENT DOCUMENTS

D19,690 S * 3/1890 Overton D11/152
D24,109 S * 3/1895 Snapp D11/152
D46,645 S * 11/1914 Traylor D11/152
D60,267 S * 1/1922 Schlesinger D11/152
D250,401 S * 11/1978 O'Shea et al. D11/152
D279,175 S * 6/1985 Eklof D11/164
D290,680 S * 7/1987 Ware D8/1
D356,754 S * 3/1995 Schmidt et al. D11/152
D384,907 S * 10/1997 Moskowitz D11/152
D385,213 S * 10/1997 McAllister D11/156
D436,887 S * 1/2001 Fan D11/152

D439,545 S * 3/2001 Grosfillex D11/152
D530,919 S * 10/2006 Snell D3/304
D530,920 S * 10/2006 Snell D3/304
D530,921 S * 10/2006 Snell D3/304
D566,471 S * 4/2008 Bodum D7/523
D568,685 S * 5/2008 Bodum D7/523
7,367,519 B2 * 5/2008 de Groote et al. 241/169.1
D614,081 S * 4/2010 Potts et al. D11/152

FOREIGN PATENT DOCUMENTS

DK 200200013 U3 5/2003

OTHER PUBLICATIONS

Eva Solo, Operating Instructions for Self Watering Flower Pot, retrieved on Jul. 13, 2010 from www.evasolo.com.

* cited by examiner

Primary Examiner — Caron Veynar

Assistant Examiner — Garth Rademaker

(74) *Attorney, Agent, or Firm* — Sughrue Mion, PLLC

(57) **CLAIM**

The ornamental design for a self-watering flower pot, as shown and described.

DESCRIPTION

FIG. 1 is a top perspective view of a self-watering flower pot showing my new design;

FIG. 2 is a bottom perspective view thereof;

FIG. 3 is an exploded perspective view thereof;

FIG. 4 is a right side elevation view thereof;

FIG. 5 is a left side elevation view thereof;

FIG. 6 is a front elevation view thereof;

FIG. 7 is a rear elevation view thereof;

FIG. 8 is a top plan view thereof;

FIG. 9 is a bottom plan view thereof; and,

FIG. 10 is a cross-section view thereof, taken along line 10-10 of FIG. 6.

1 Claim, 10 Drawing Sheets

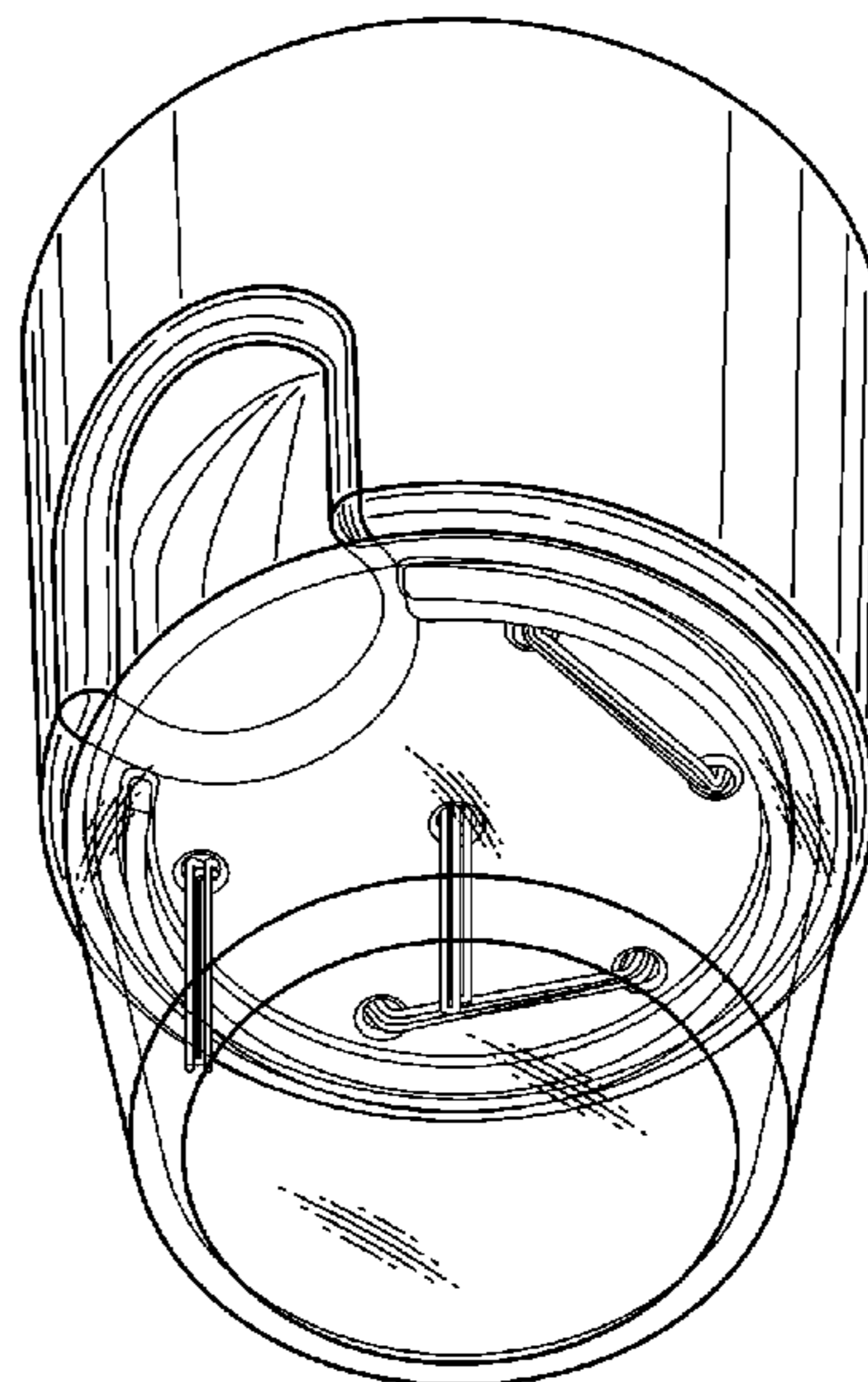
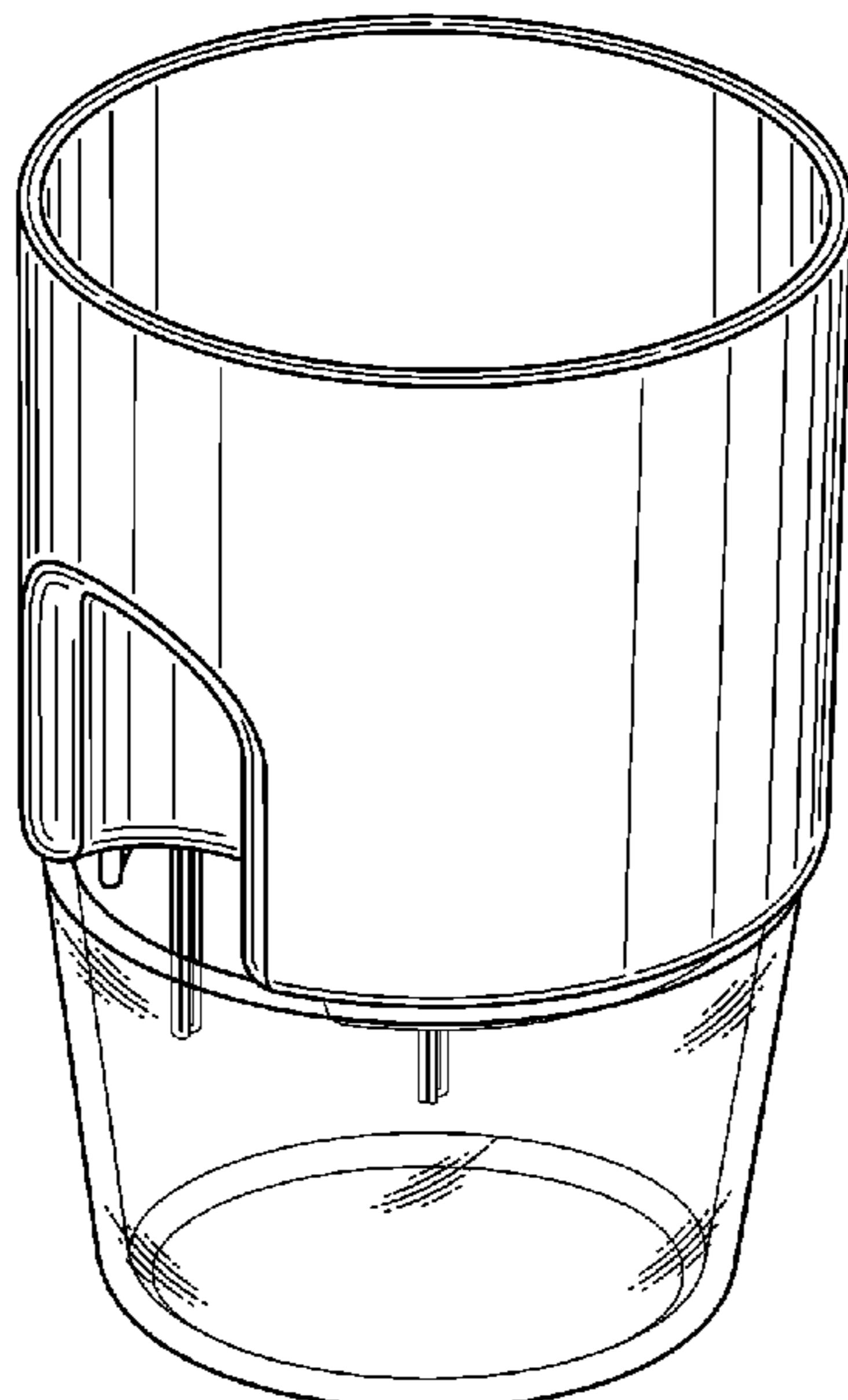


FIG. 1

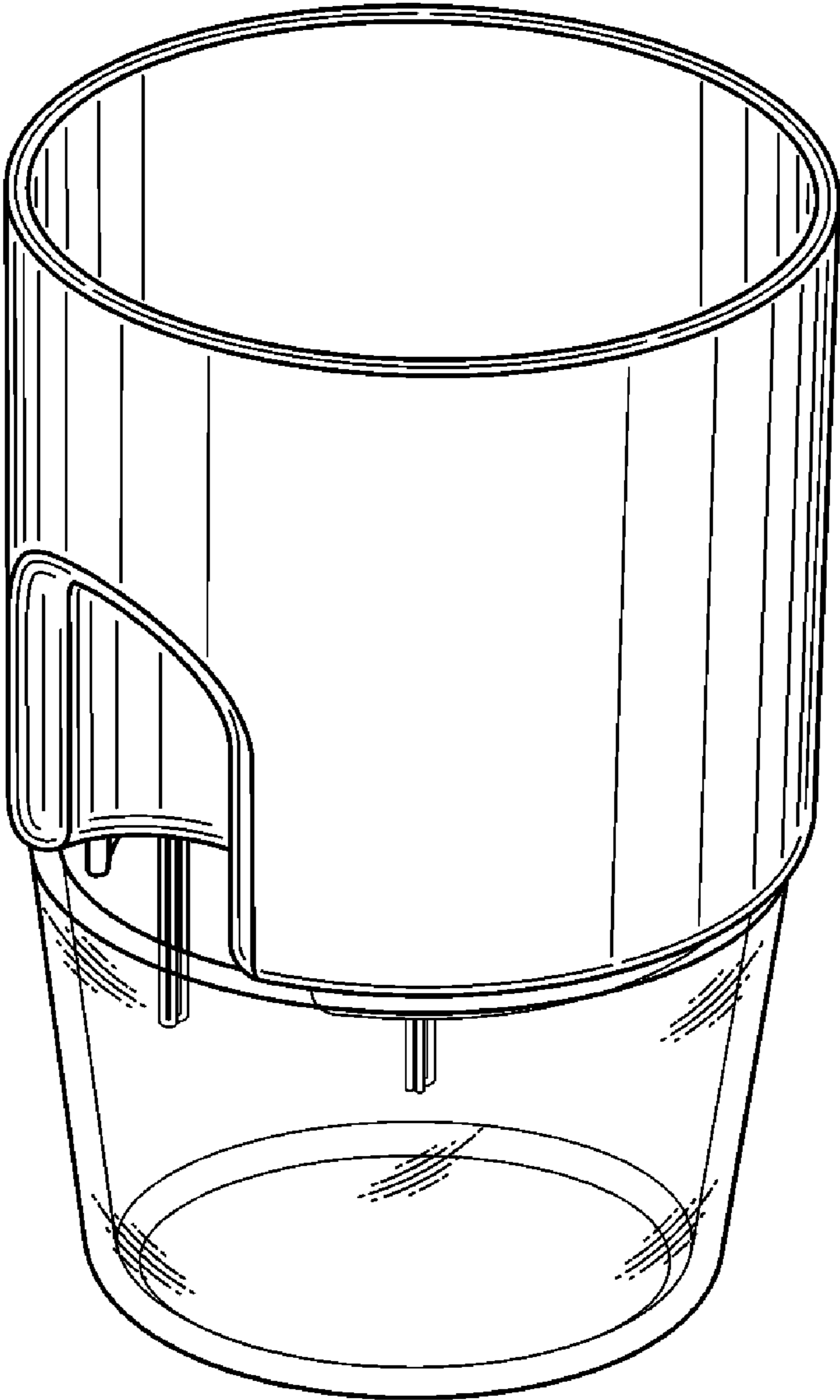


FIG. 2

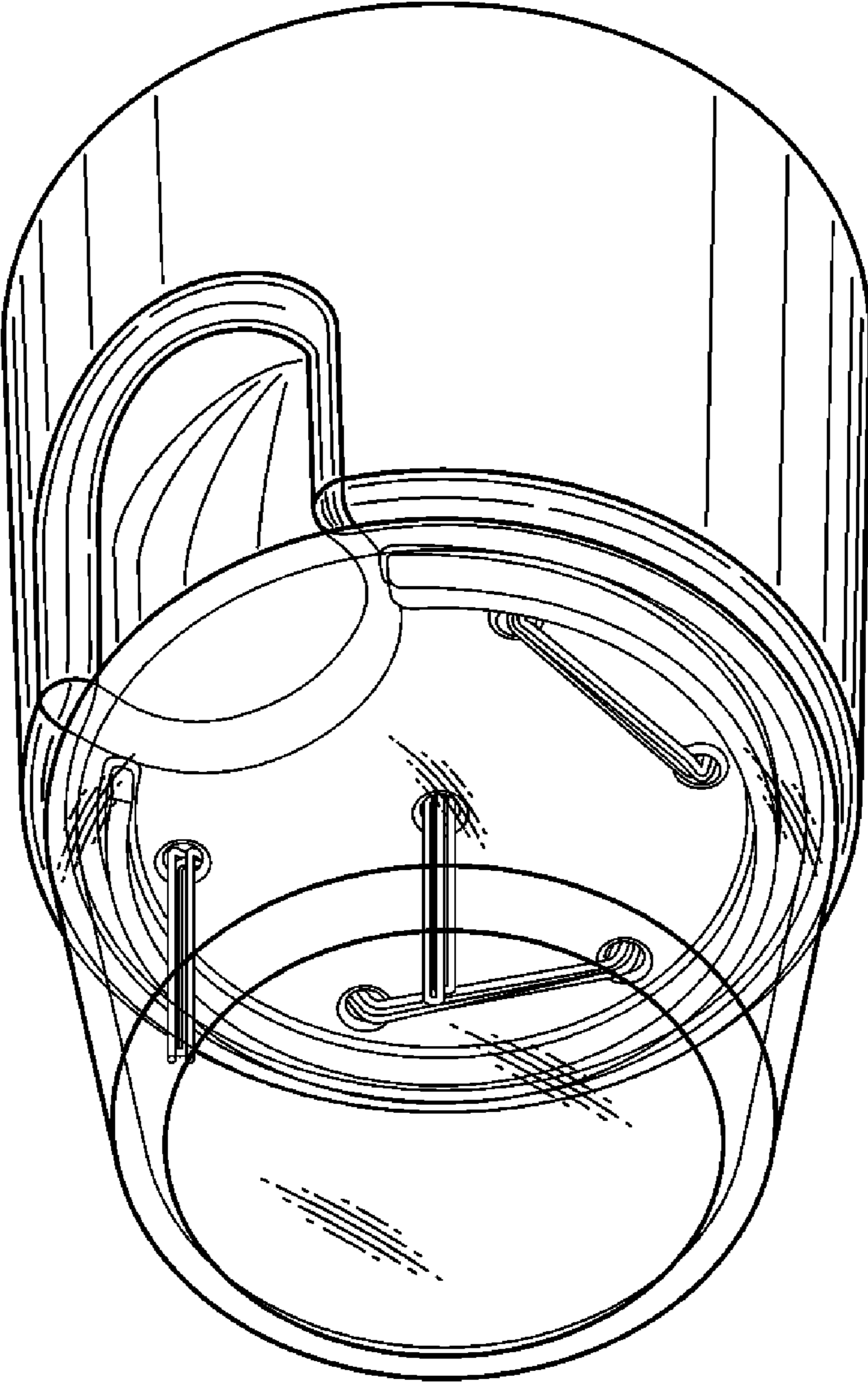


FIG. 3

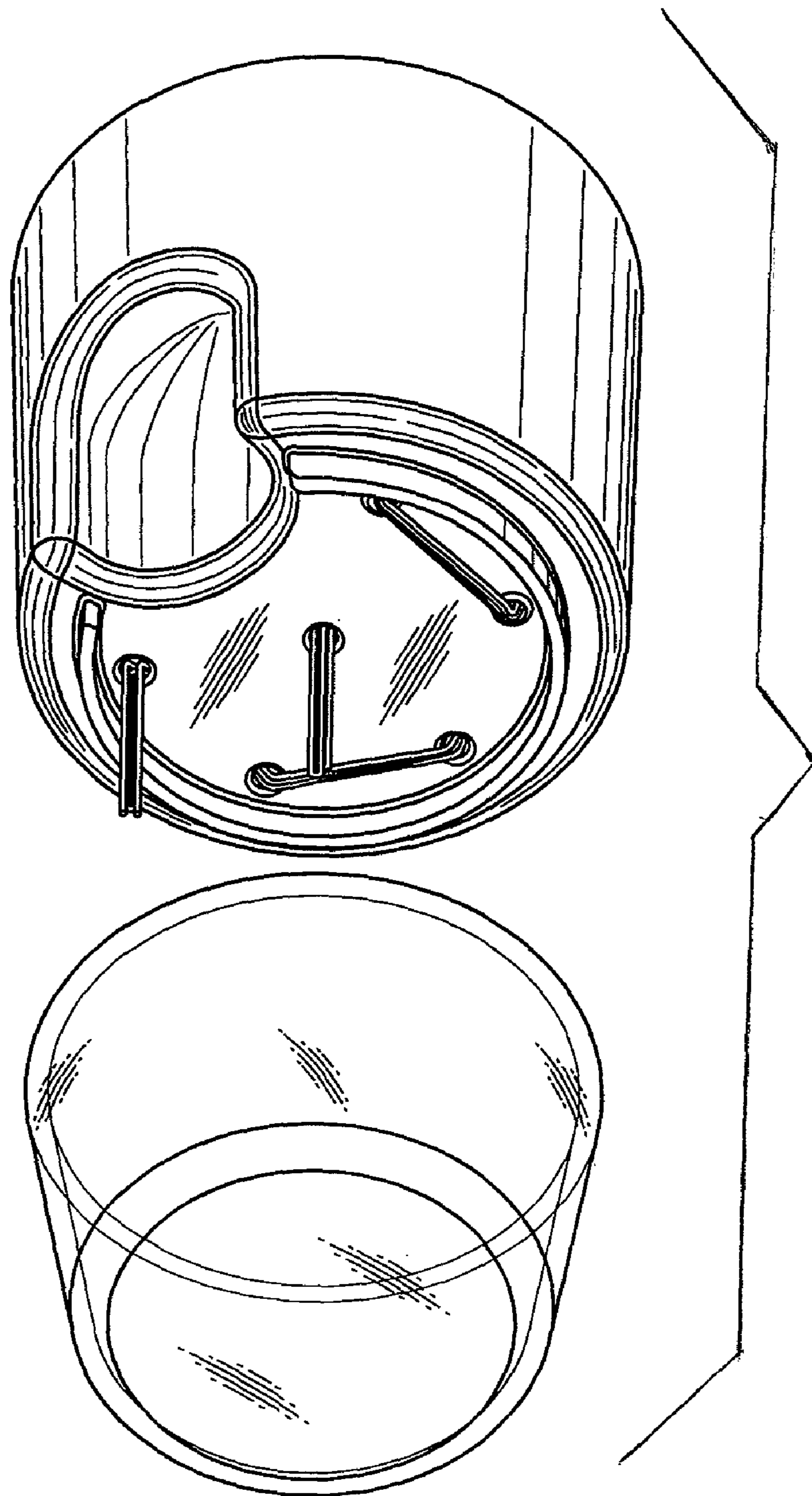


FIG. 4

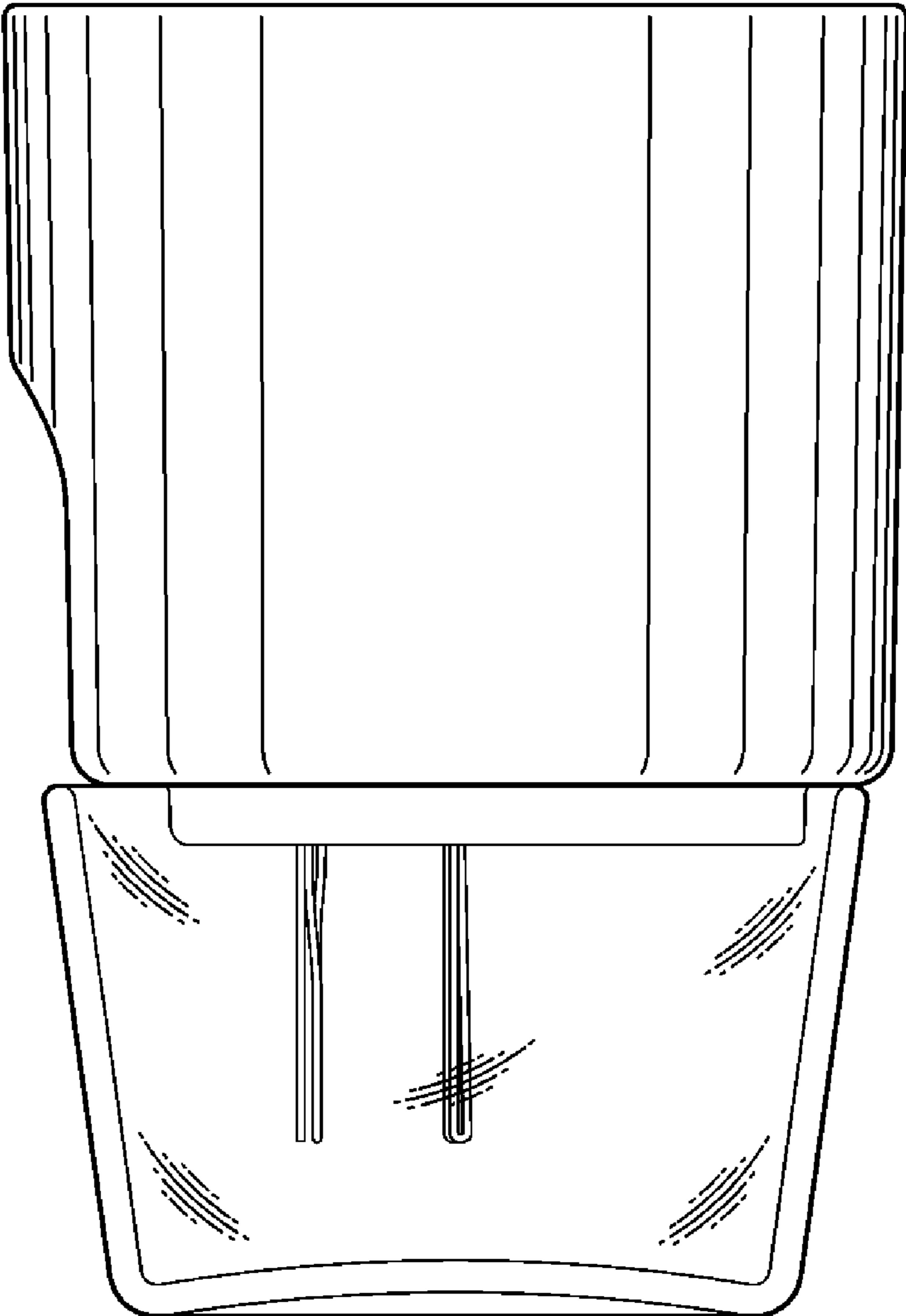


FIG. 5

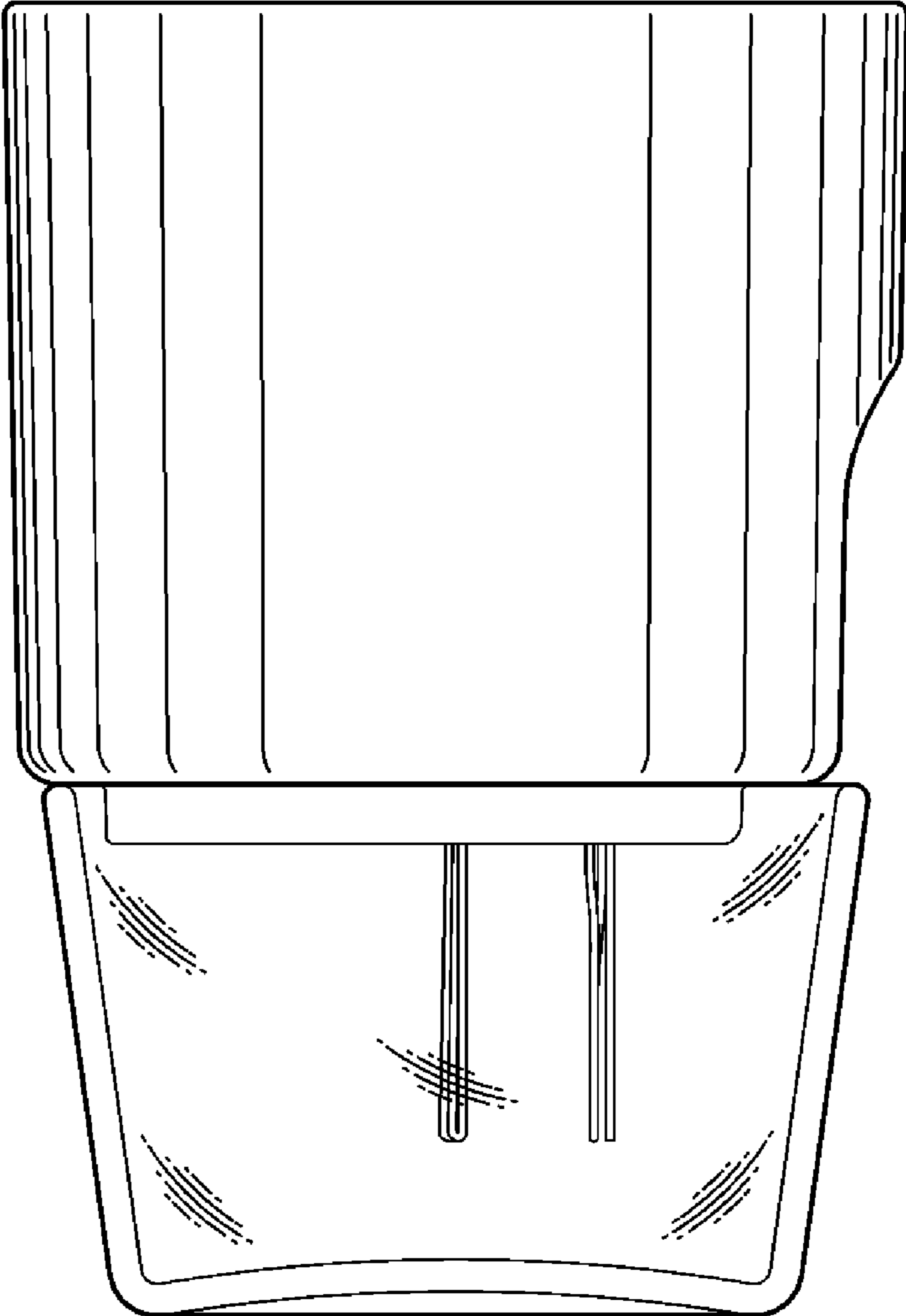


FIG. 6

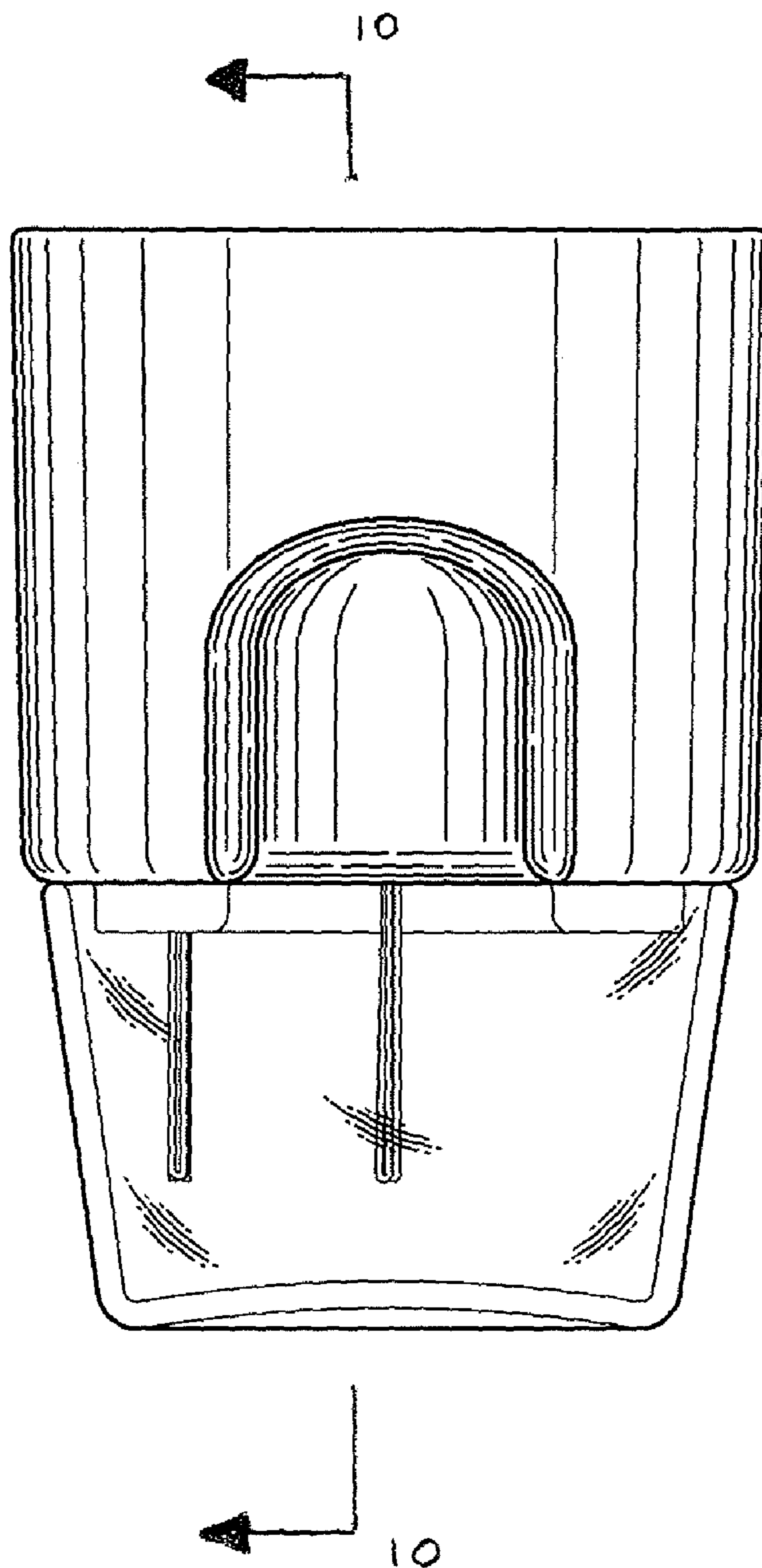


FIG. 7

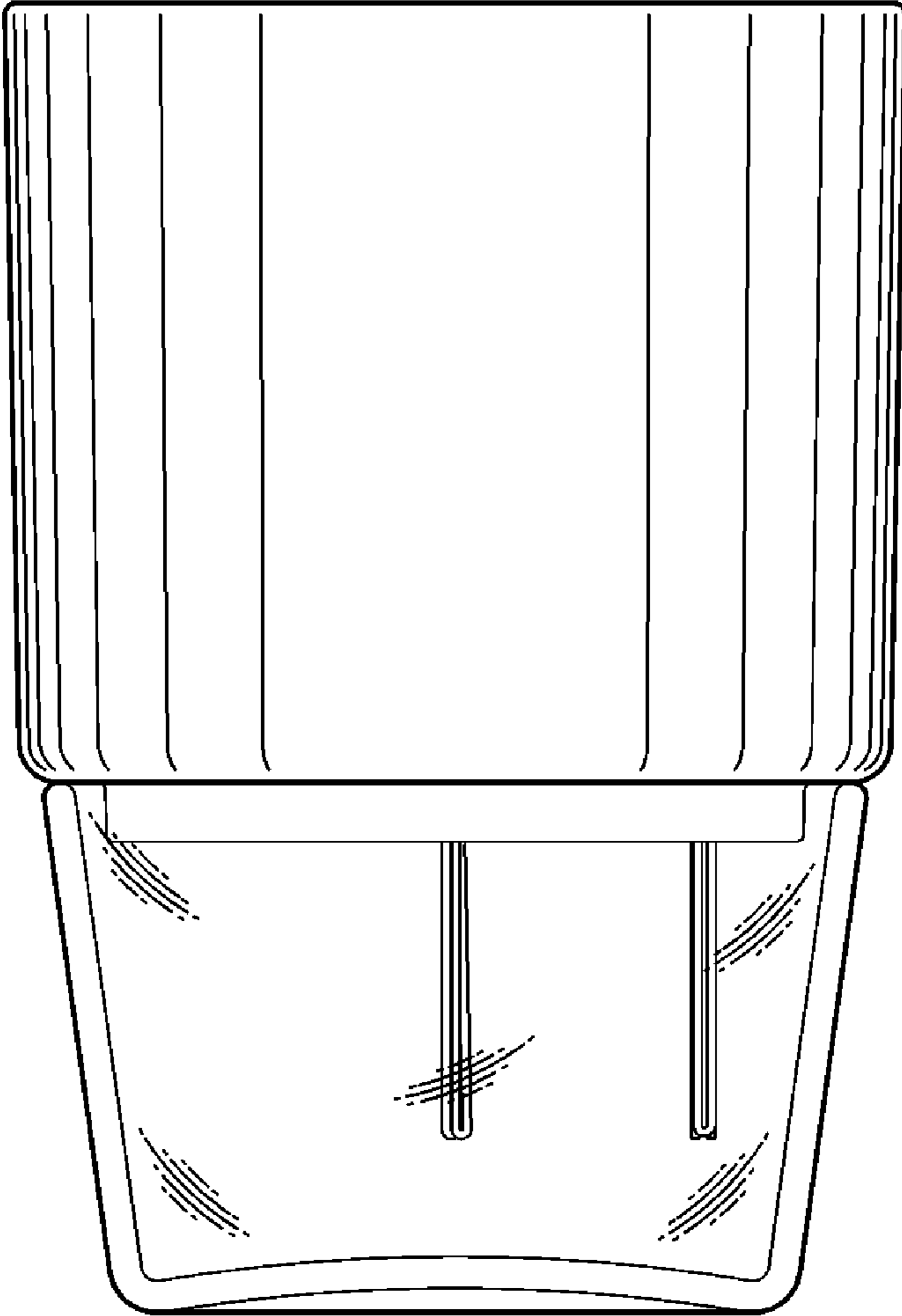


FIG. 8

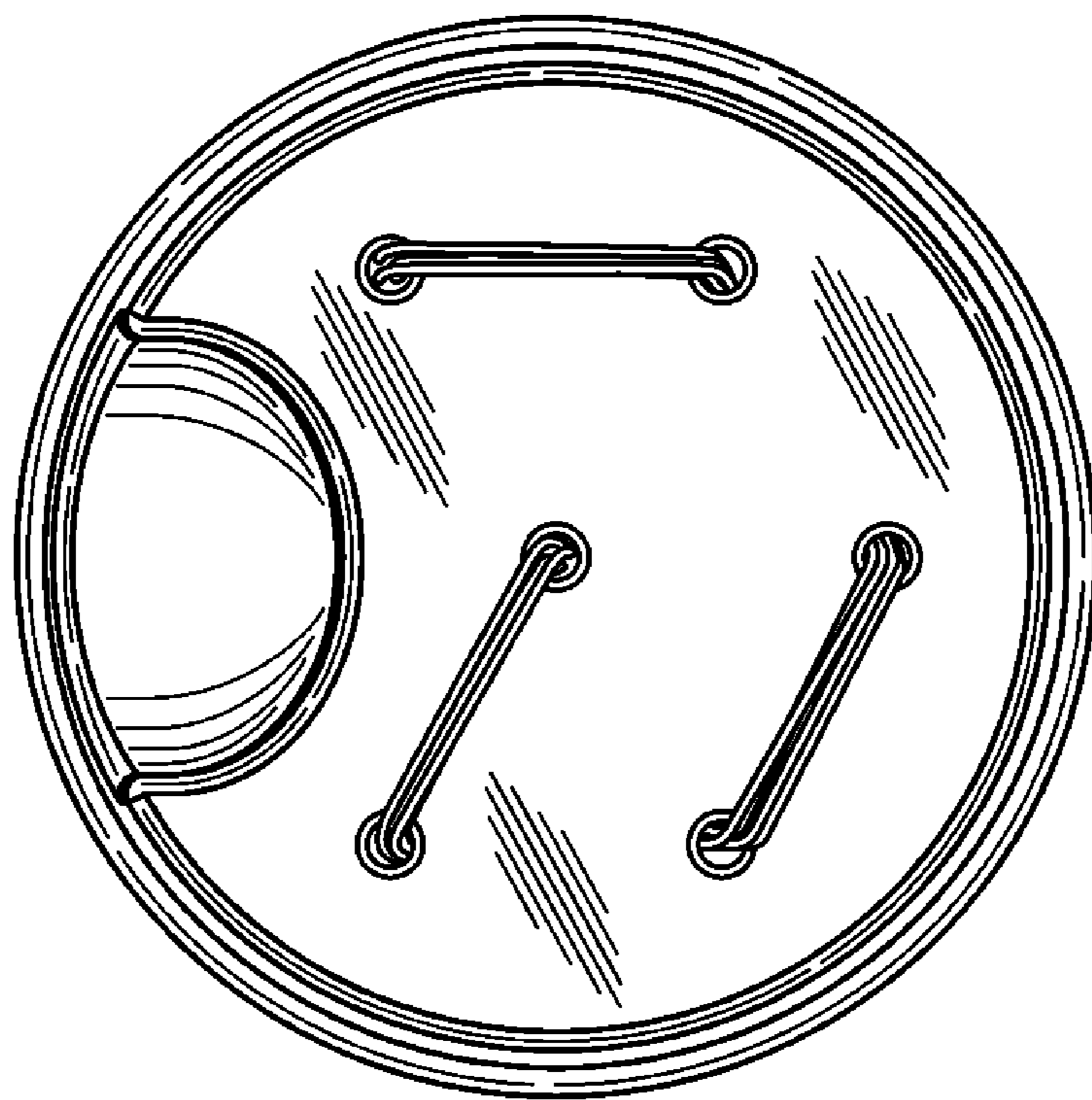


FIG. 9

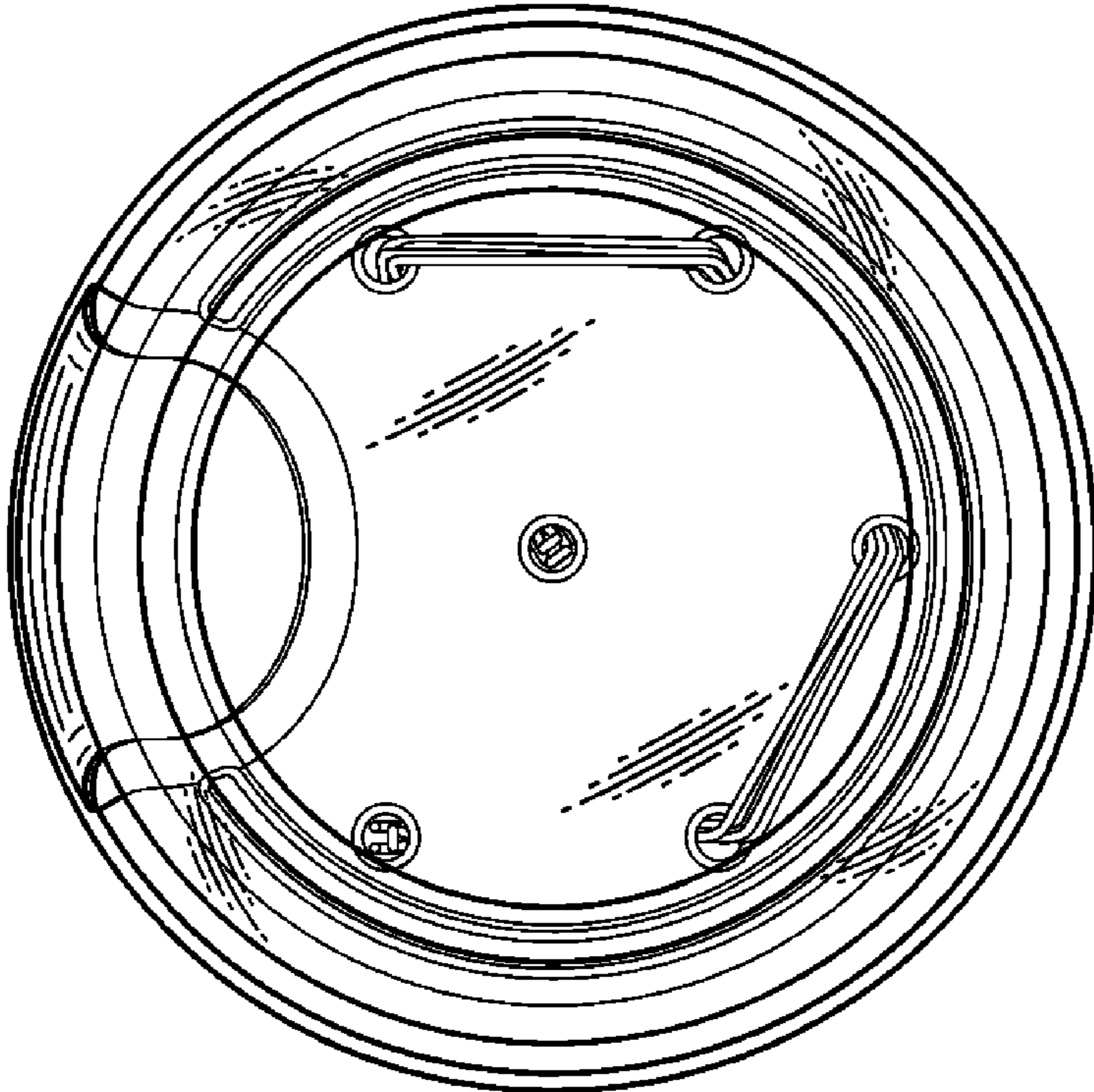


FIG. 10

