



US00D635475S

(12) **United States Design Patent**  
**Kludas et al.**

(10) **Patent No.:** **US D635,475 S**  
(45) **Date of Patent:** **\*\* Apr. 5, 2011**

(54) **THEODOLITE GEODETIC APPARATUS**

(56) **References Cited**

(75) Inventors: **Torsten Kludas**, Zottelstedt (DE);  
**Martin Stohr**, Jena (DE); **Christian Schmidt**, Jena (DE); **Dirk Albrecht**, Jena (DE); **Marwin Kock**, Jena (DE);  
**Michael Winterot**, Jena (DE); **LaVonne Lynette Frazier**, Arvada, CO (US)

U.S. PATENT DOCUMENTS

D526,588 S \* 8/2006 Johansson et al. .... D10/66  
D558,075 S \* 12/2007 Ishii ..... D10/66  
D576,062 S \* 9/2008 Hayamizu et al. .... D10/66  
D605,959 S \* 12/2009 Apotheloz ..... D10/66

\* cited by examiner

(73) Assignee: **Trimble Jena GmbH**, Jena (DE)

*Primary Examiner* — Antoine D Davis

(\*\*) Term: **14 Years**

(74) *Attorney, Agent, or Firm* — Steptoe & Johnson LLP

(21) Appl. No.: **29/347,593**

(57) **CLAIM**

The ornamental design for a theodolite geodetic apparatus, as shown and described.

(22) Filed: **Mar. 10, 2010**

**DESCRIPTION**

(30) **Foreign Application Priority Data**

Sep. 11, 2009 (EM) ..... 001610569-0001

(51) **LOC (9) Cl.** ..... **10-04**

(52) **U.S. Cl.** ..... **D10/66; D10/69**

(58) **Field of Classification Search** ..... D10/66,  
D10/69; 33/276, 277, 281, 285, 286, 290,  
33/291–299, DIG. 21; 340/539, 825.36,  
340/825.46, 825.49; 356/5.15, 4.01, 5.01,  
356/4.05, 5.05–5.09, 5.12, 28.5, 345, 375,  
356/3.01, 128–155, 399–400; 385/83, 97–99,  
385/134–139; 701/211–213, 150, 158;  
264/1.24–1.25

FIG. 1 is a front/right side perspective view of a theodolite geodetic apparatus embodying the inventive ornamental design;

FIG. 2 is a front elevation view of the apparatus of FIG. 1 embodying the inventive design;

FIG. 3 is a left side elevation view of the apparatus of FIG. 1 embodying the inventive design;

FIG. 4 is a right side elevation view of the apparatus of FIG. 1 embodying the inventive design;

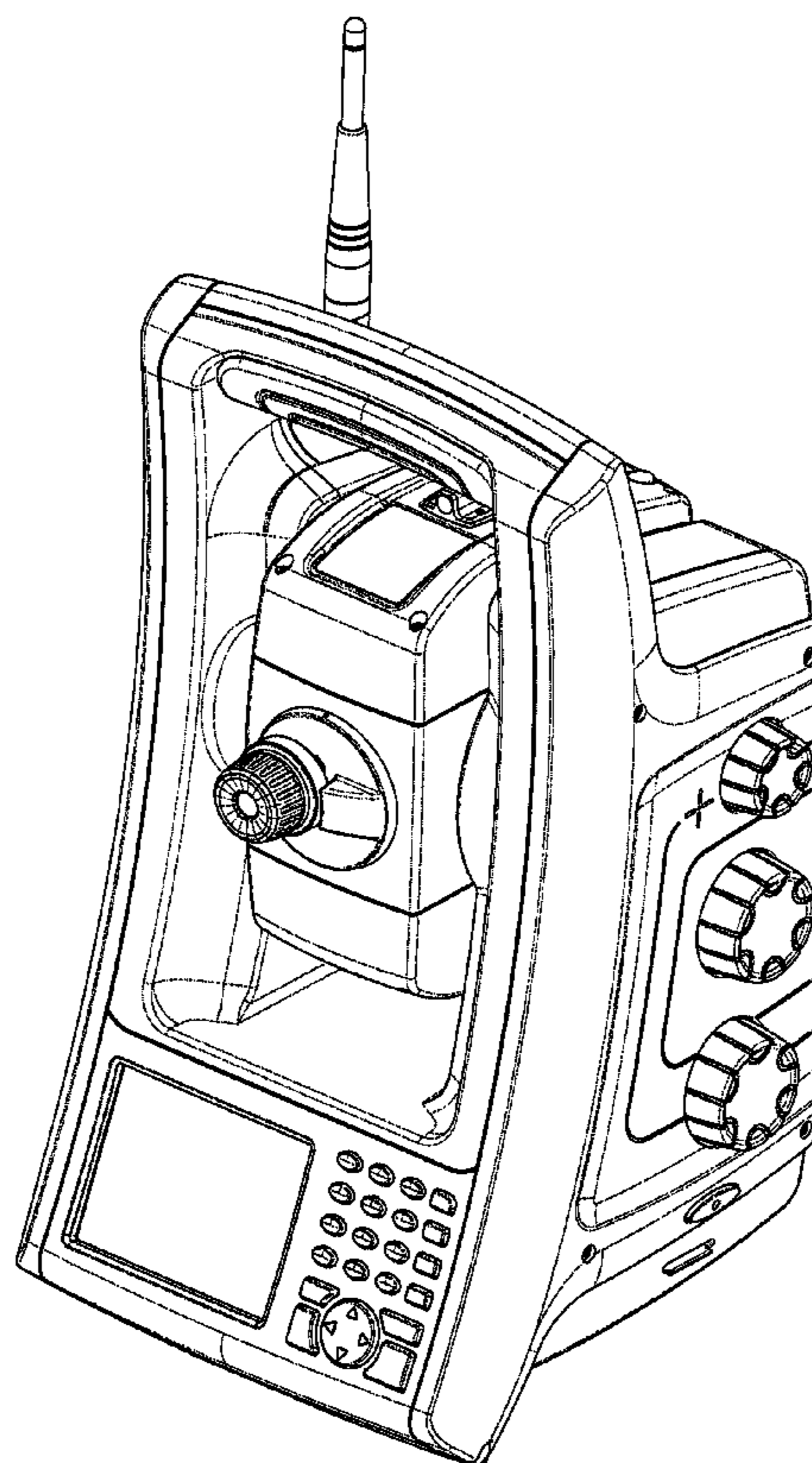
FIG. 5 is a rear elevation view of the apparatus of FIG. 1 embodying the inventive design;

FIG. 6 is a top plan view of the apparatus of FIG. 1 embodying the inventive design; and,

FIG. 7 is a bottom plan view of the apparatus of FIG. 1 embodying the inventive design.

See application file for complete search history.

**1 Claim, 7 Drawing Sheets**



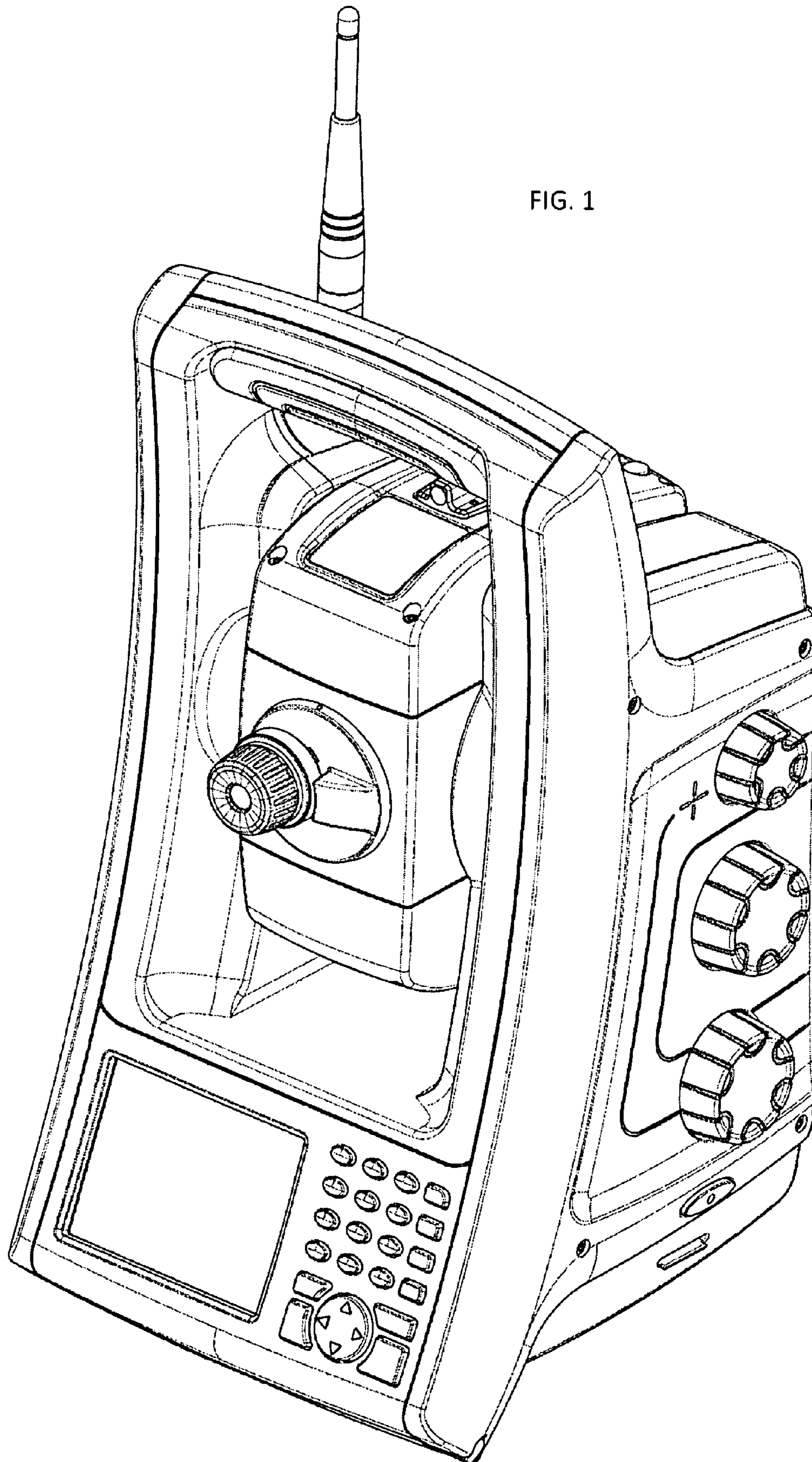
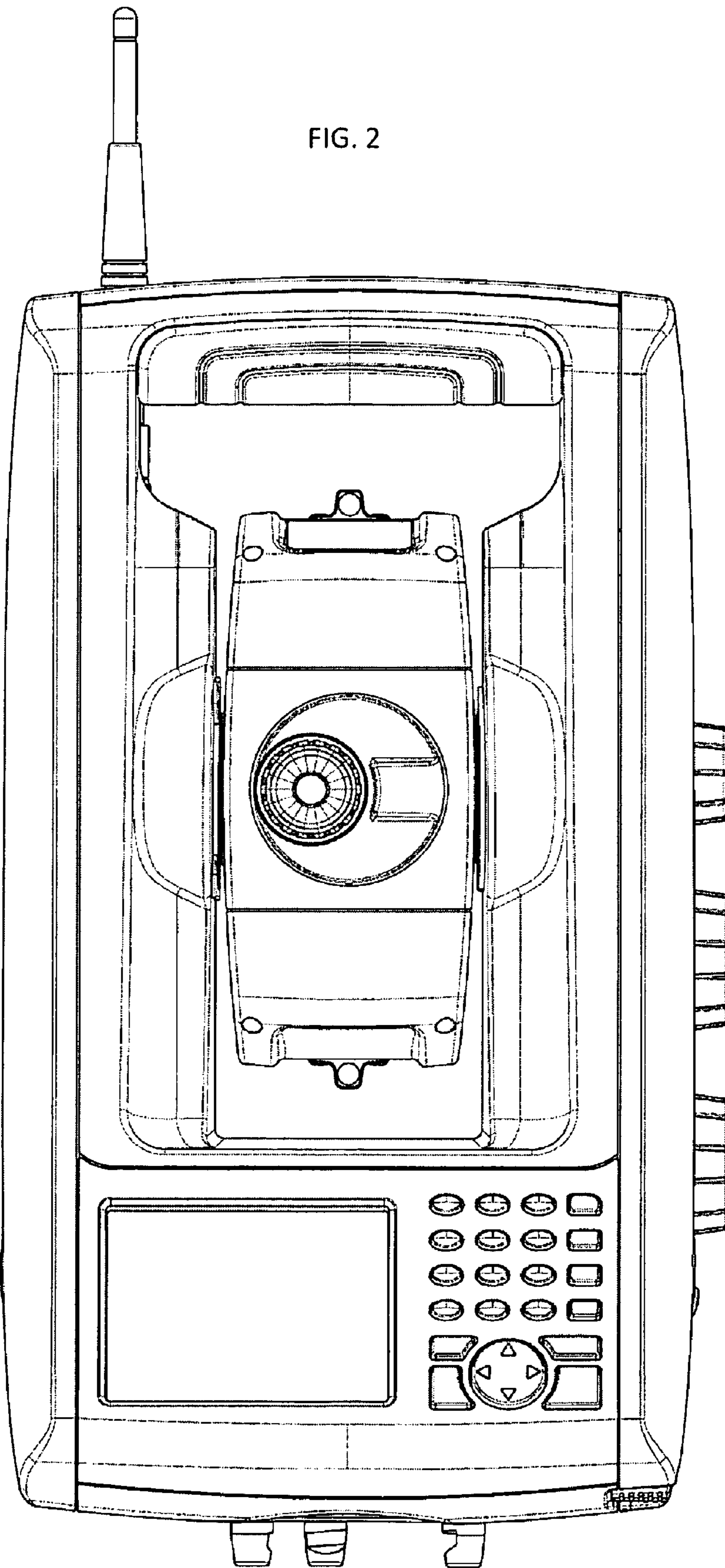
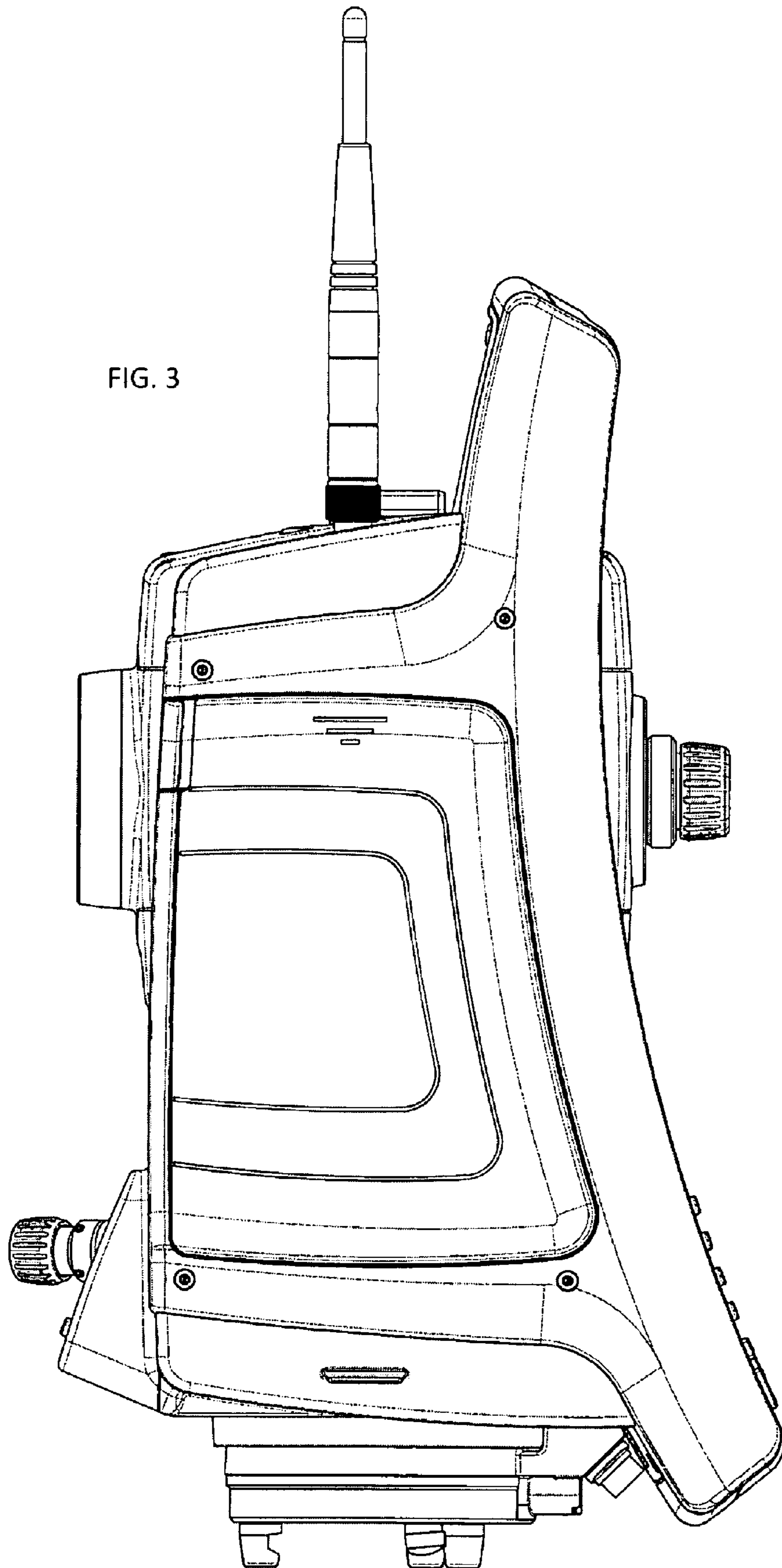


FIG. 1

FIG. 2





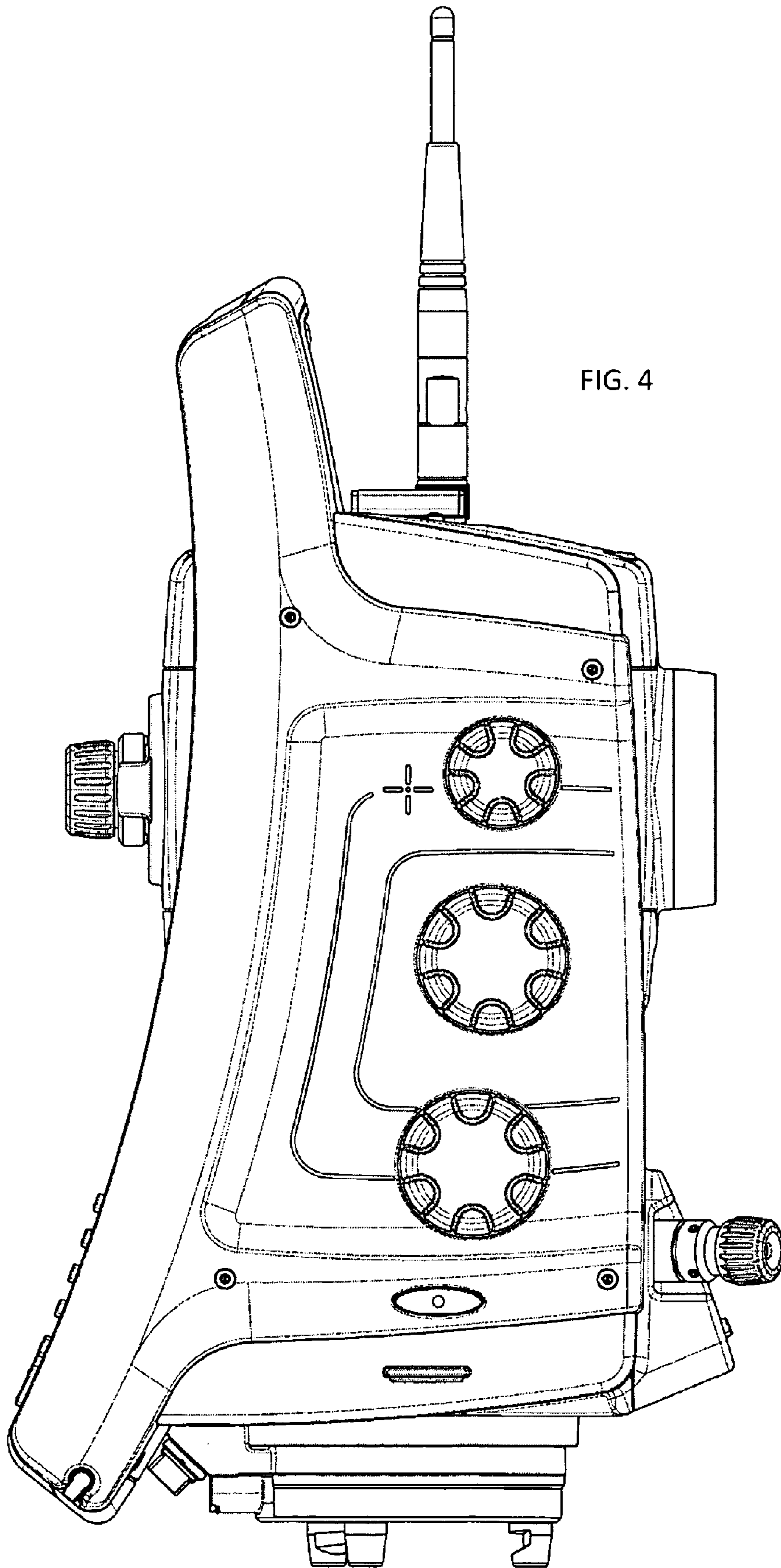
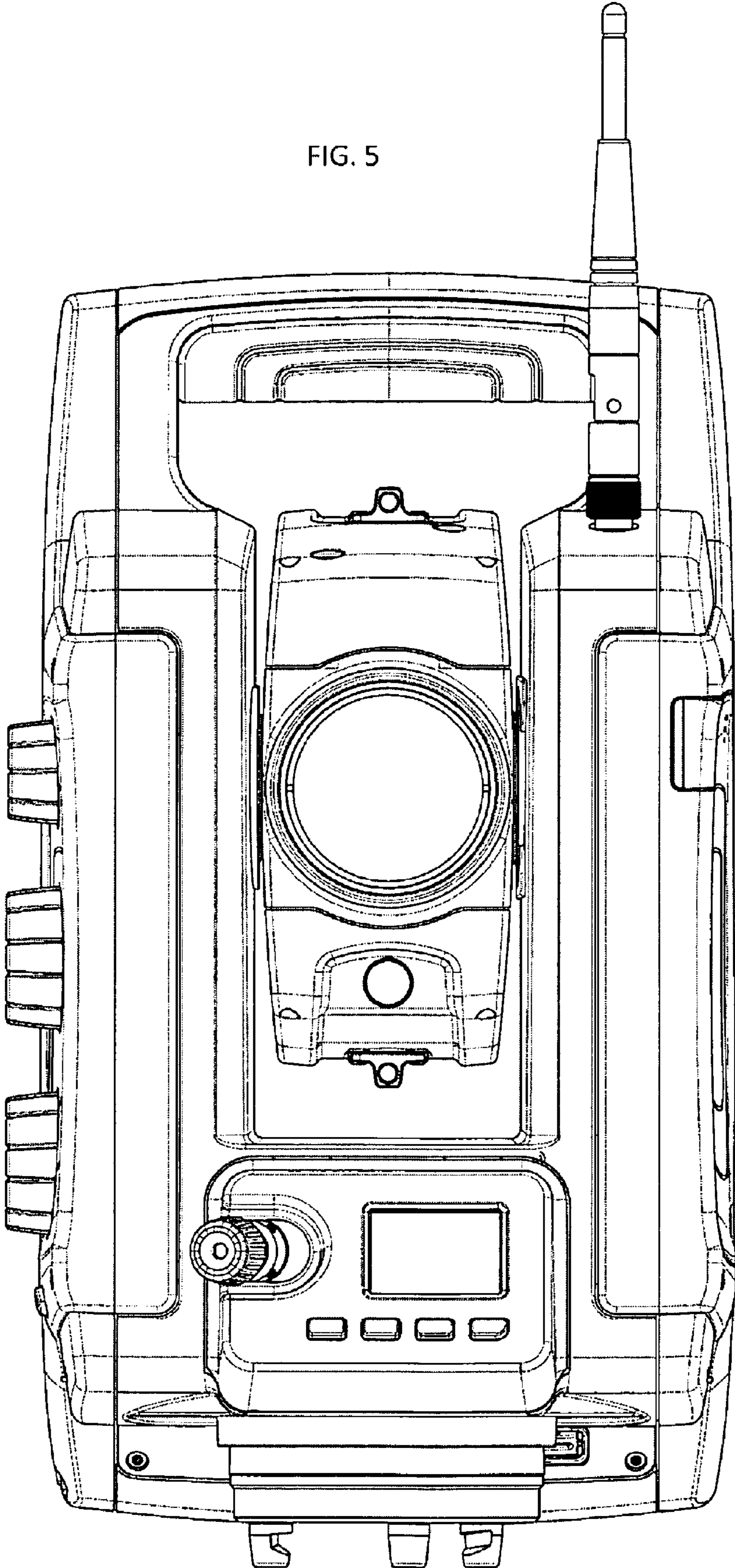


FIG. 4

FIG. 5



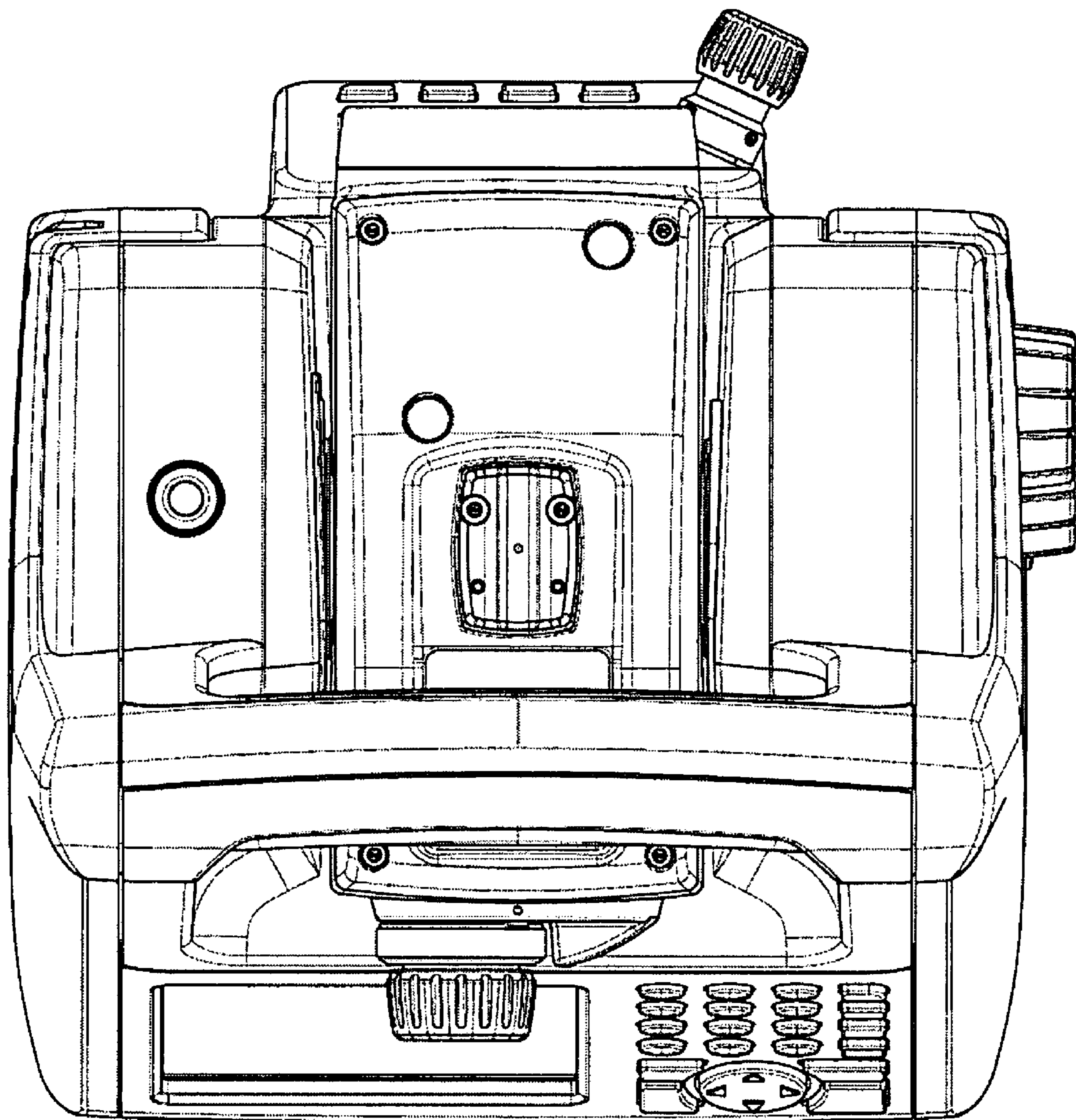


FIG. 6

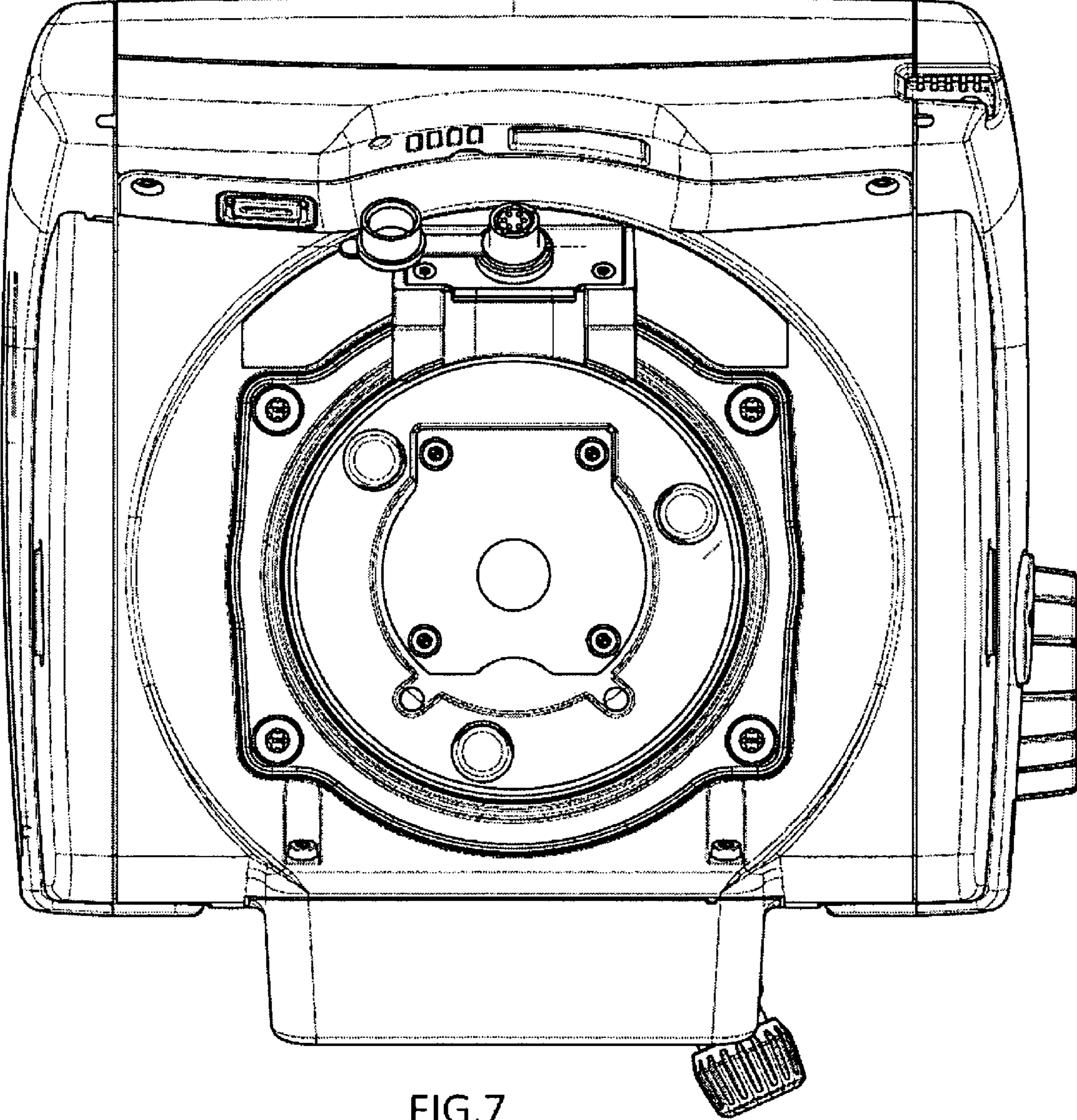


FIG.7