



US00D635474S

(12) **United States Design Patent**
Kludas et al.

(10) **Patent No.:** **US D635,474 S**
(45) **Date of Patent:** **** Apr. 5, 2011**

(54) **BOW-CURVED FRONT PORTION FOR A THEODOLITE GEODETIC APPARATUS**

(75) Inventors: **Torsten Kludas**, Zottelstedt (DE); **Martin Stohr**, Jena (DE); **Christian Schmidt**, Jena (DE); **Dirk Albrecht**, Jena (DE); **Marwin Kock**, Jena (DE); **Michael Winterot**, Jena (DE); **LaVonne Lynette Frazier**, Arvada, CO (US)

(73) Assignee: **Trimble Jena GmbH**, Jena (DE)

(**) Term: **14 Years**

(21) Appl. No.: **29/347,592**

(22) Filed: **Mar. 10, 2010**

(30) **Foreign Application Priority Data**

Sep. 11, 2009 (EM) 001610569-0002

(51) **LOC (9) Cl.** **10-04**

(52) **U.S. Cl.** **D10/66; D10/69**

(58) **Field of Classification Search** D10/66, D10/69; 33/276, 277, 281, 285, 286, 290, 33/291-299, DIG. 21; 340/539, 825.36, 340/825.46, 825.49; 356/5.15, 4.01, 5.01, 356/4.05, 5.05-5.09, 5.12, 28.5, 345, 375, 356/3.01, 128-155, 399-400; 385/83, 97-99, 385/134-139; 701/211-213, 150, 158; 264/1.24-1.25

See application file for complete search history.

(56) **References Cited**

U.S. PATENT DOCUMENTS

D526,588 S * 8/2006 Johansson et al. D10/66
D558,075 S * 12/2007 Ishii D10/66
D576,062 S * 9/2008 Hayamizu et al. D10/66
D605,959 S * 12/2009 Apotheloz D10/66

* cited by examiner

Primary Examiner — Antoine D Davis

(74) *Attorney, Agent, or Firm* — Steptoe & Johnson LLP

(57) **CLAIM**

The ornamental design for a bow-curved front portion for a theodolite geodetic apparatus, as shown and described.

DESCRIPTION

FIG. 1 is a front/right side perspective view of a bow-curved front portion for a theodolite geodetic apparatus, which portion embodies the inventive ornamental design;

FIG. 2 is a left side elevation view of the front portion of FIG. 1 embodying the inventive design;

FIG. 3 is a right side elevation view of the front portion of FIG. 1 embodying the inventive design;

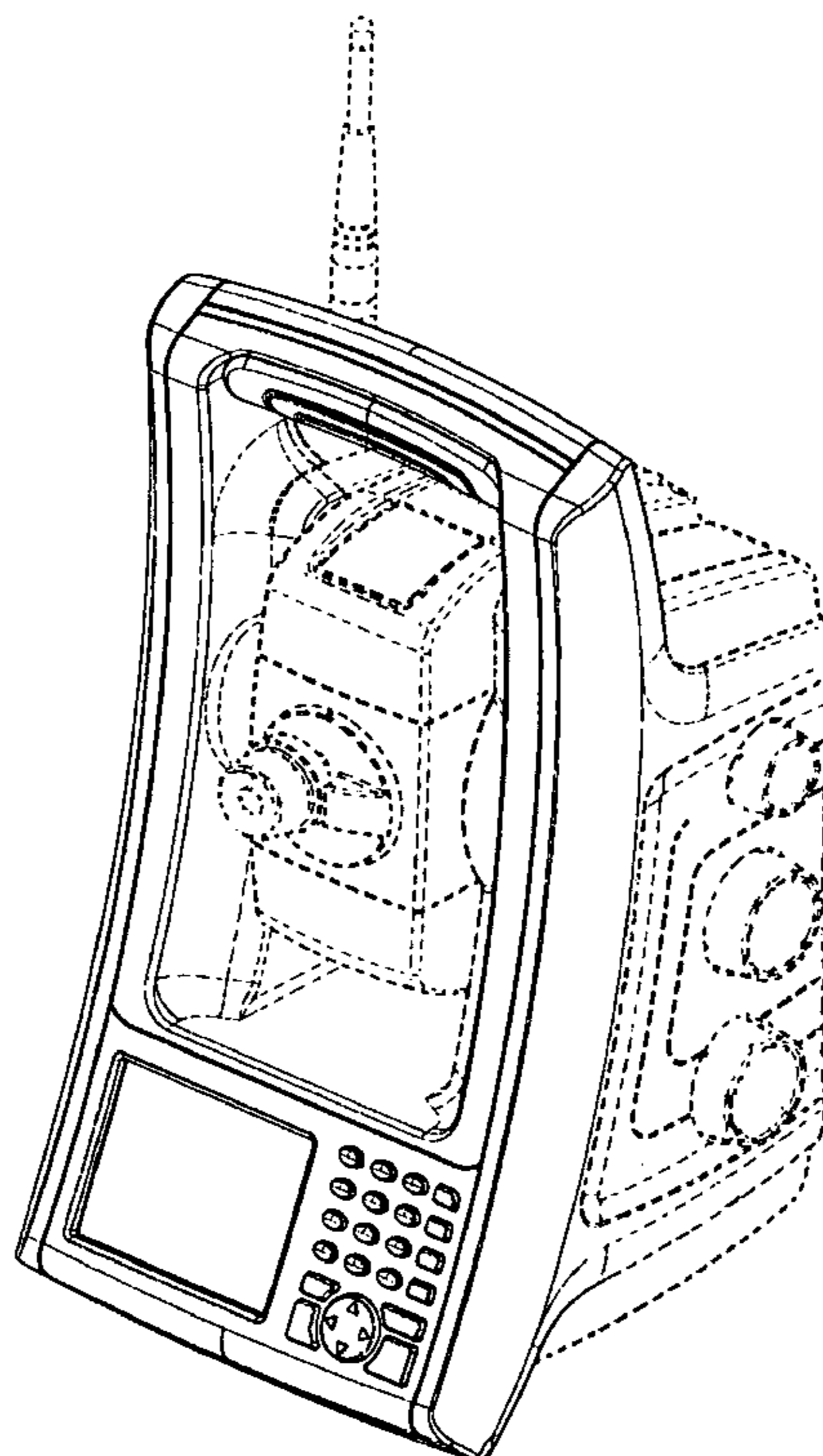
FIG. 4 is a rear elevation view of the front portion of FIG. 1 embodying the inventive design;

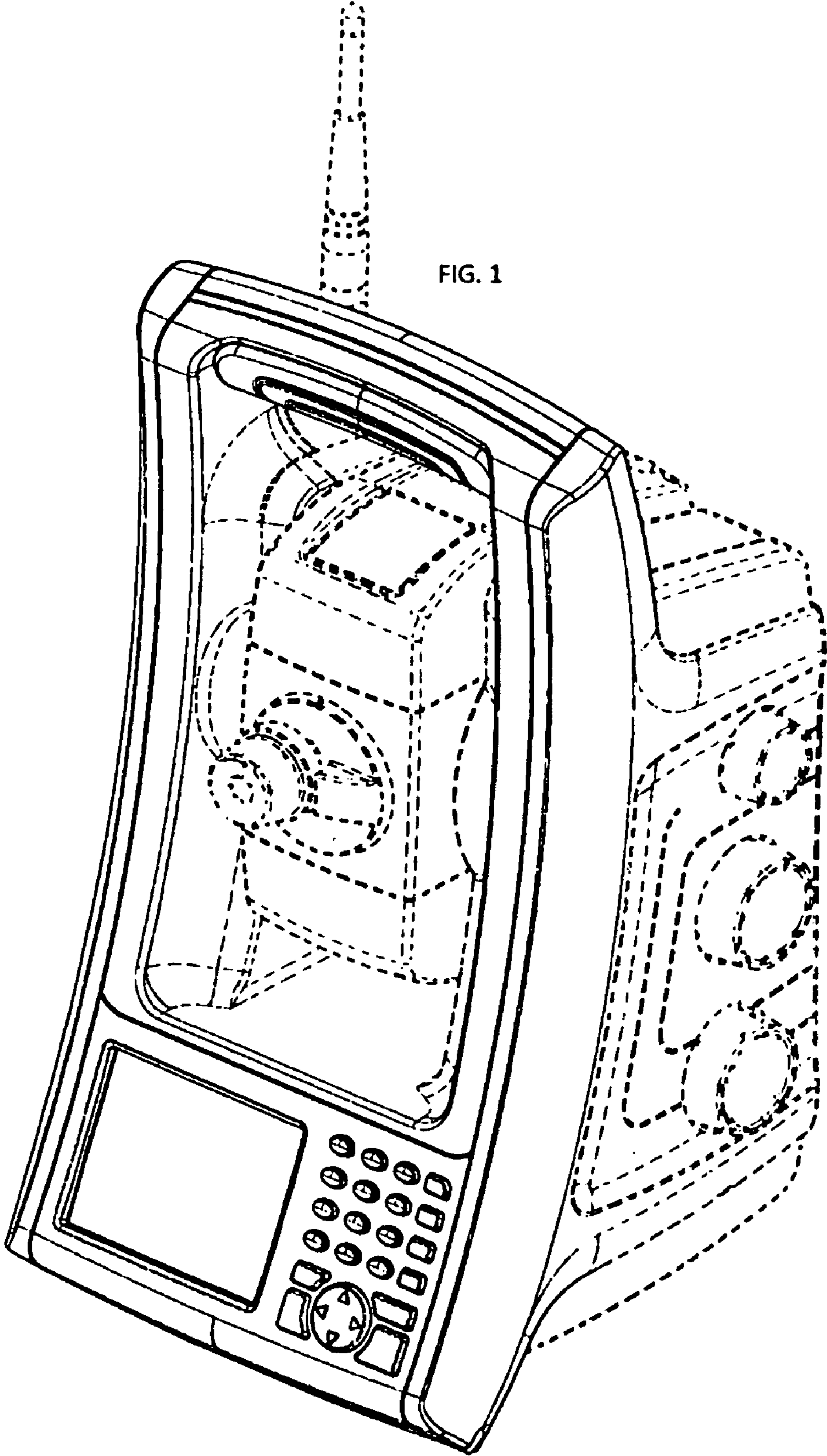
FIG. 5 is a top plan view of the front portion of FIG. 1 embodying the inventive design; and,

FIG. 6 is a bottom plan view of the front portion of FIG. 1 embodying the inventive design.

The broken lines in the figures are included to show unclaimed subject matter only, and do not constitute part of the claimed inventive design.

1 Claim, 6 Drawing Sheets





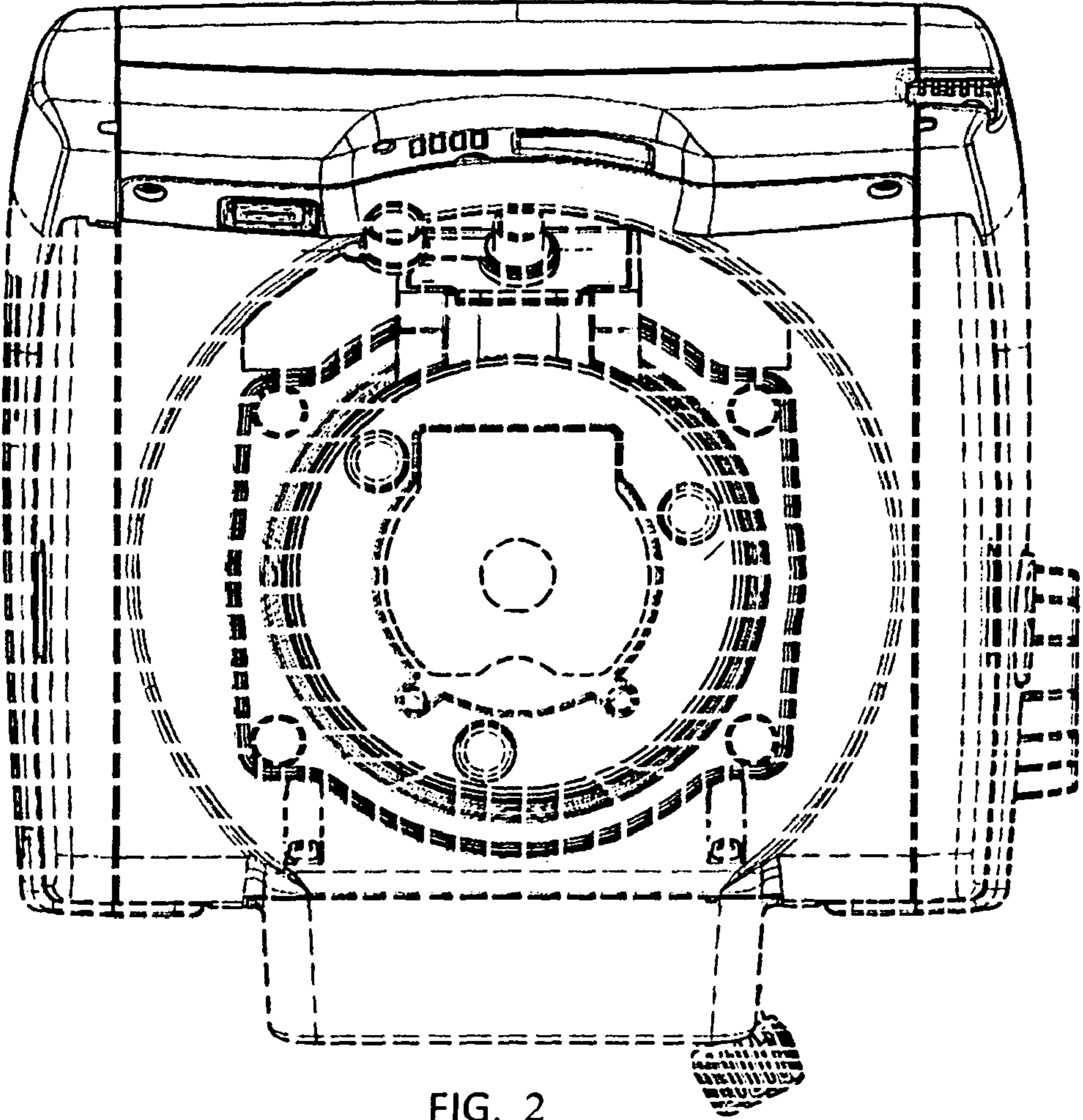
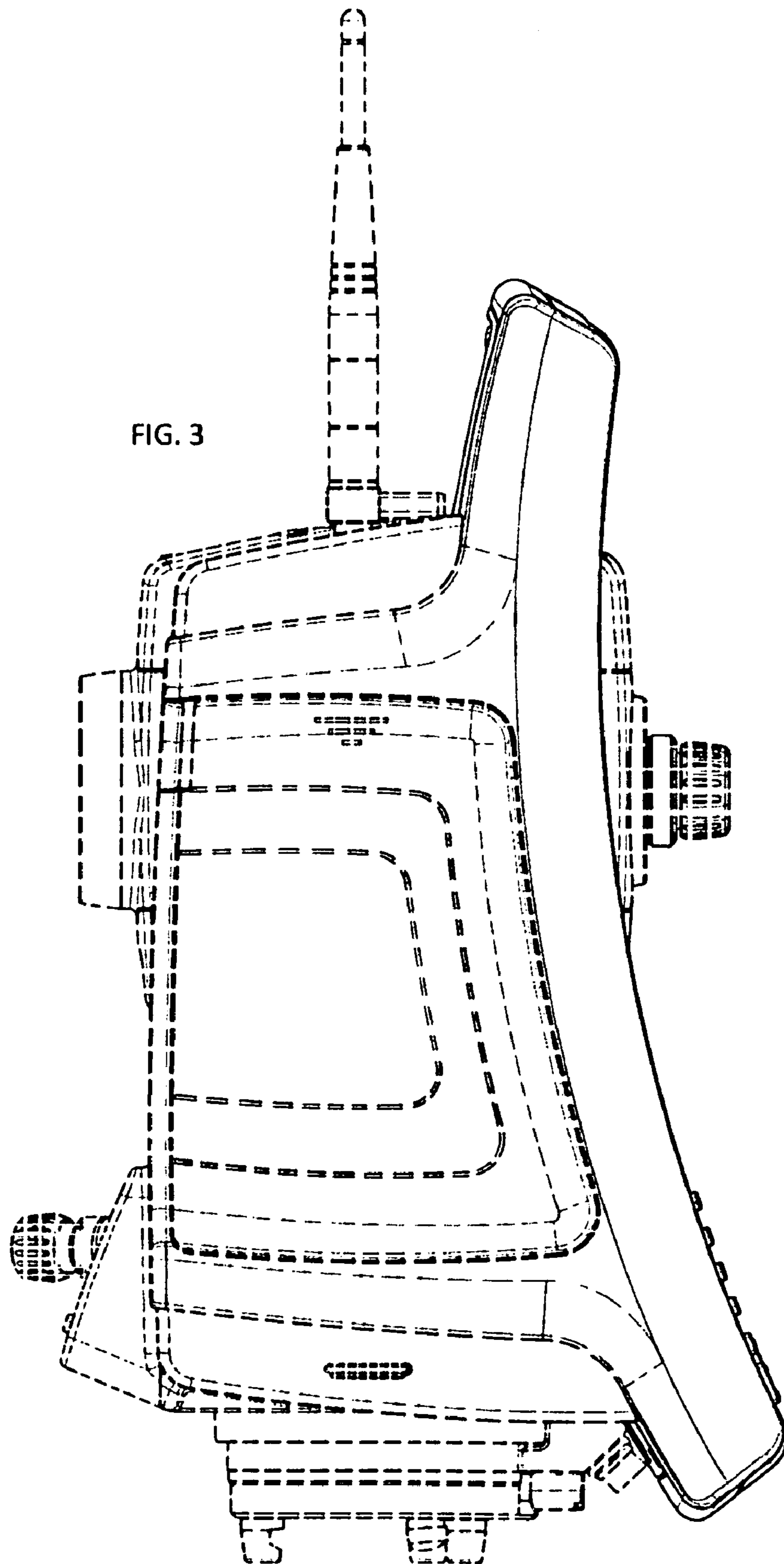


FIG. 2



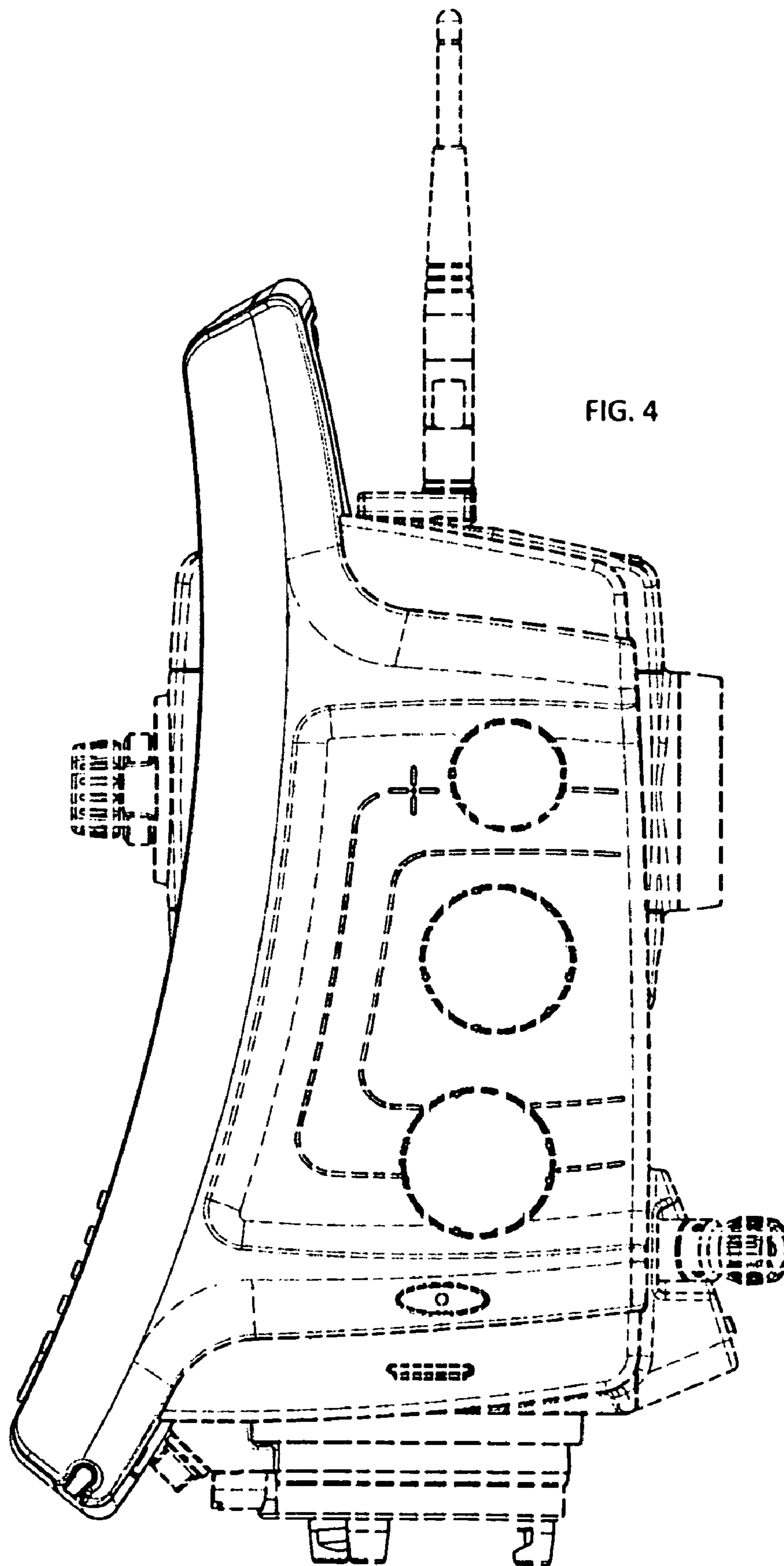
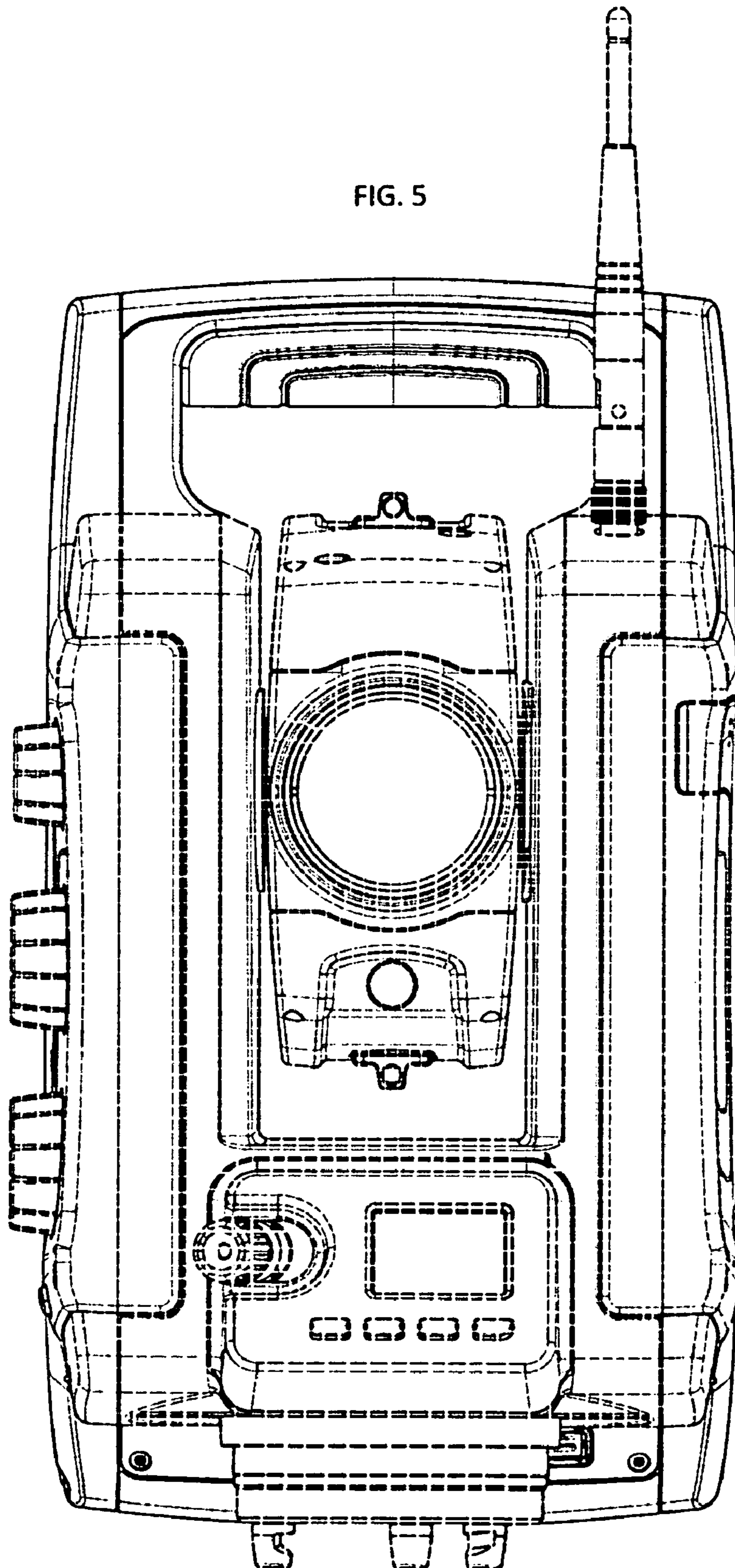


FIG. 5



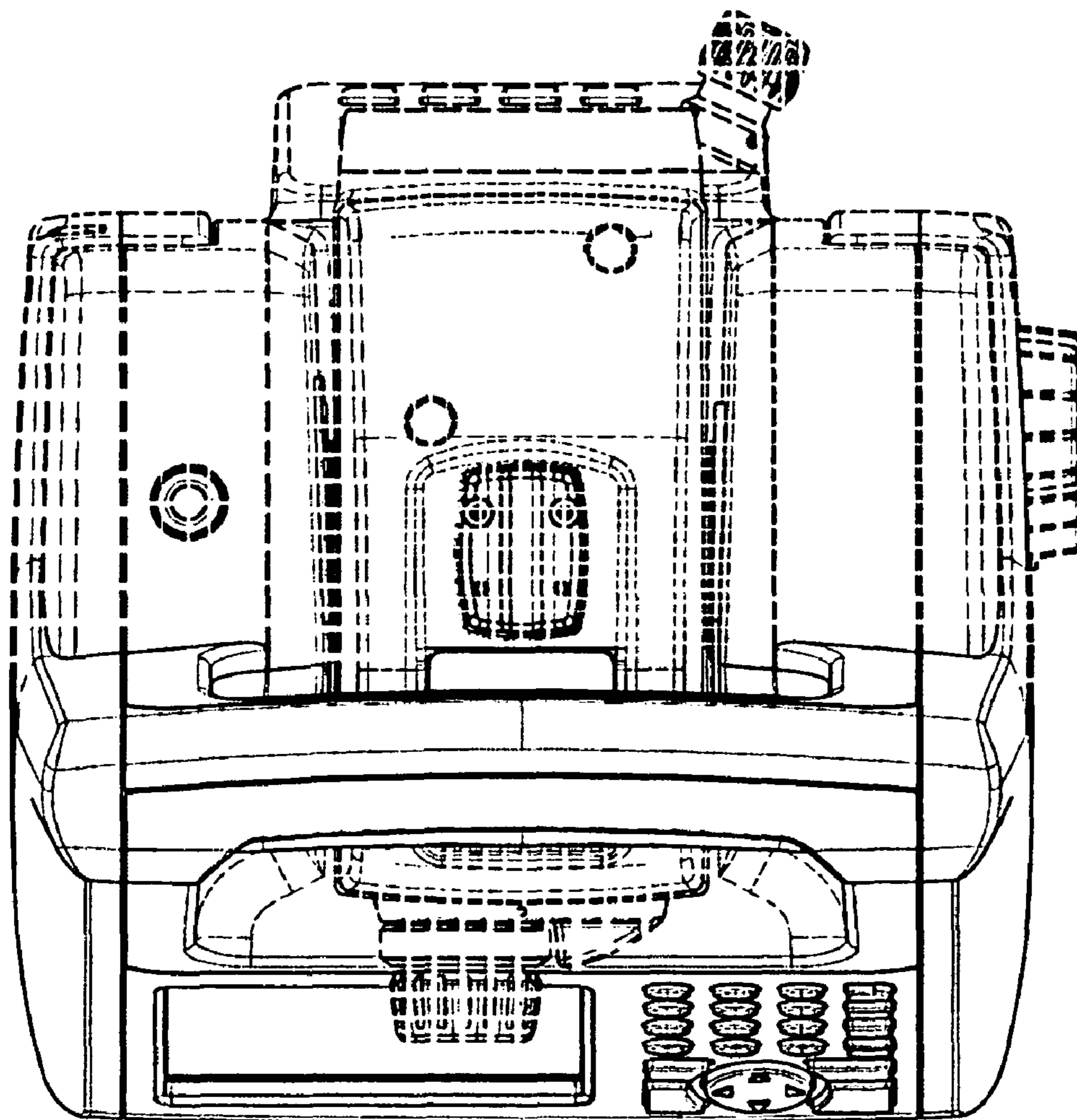


FIG. 6