



US00D635473S

(12) **United States Design Patent**
Hawks

(10) **Patent No.:** **US D635,473 S**

(45) **Date of Patent:** **** Apr. 5, 2011**

(54) **SLOPE GAUGE**

D557,153 S * 12/2007 Light et al. D10/65
* cited by examiner

(76) Inventor: **Thomas A. Hawks**, Geneva, NE (US)

Primary Examiner — Antoine D Davis

(**) Term: **14 Years**

(74) *Attorney, Agent, or Firm* — Keller LaPuma Woodard PC

(21) Appl. No.: **29/358,456**

(22) Filed: **Mar. 26, 2010**

(57) **CLAIM**

The ornamental design for a slope gauge, as shown and described.

(51) **LOC (9) Cl.** **10-04**

(52) **U.S. Cl.** **D10/65**

(58) **Field of Classification Search** D10/65;
33/374, 375, 391, 403, 420, 421, 424, 451,
33/471, 495, 1 H

DESCRIPTION

See application file for complete search history.

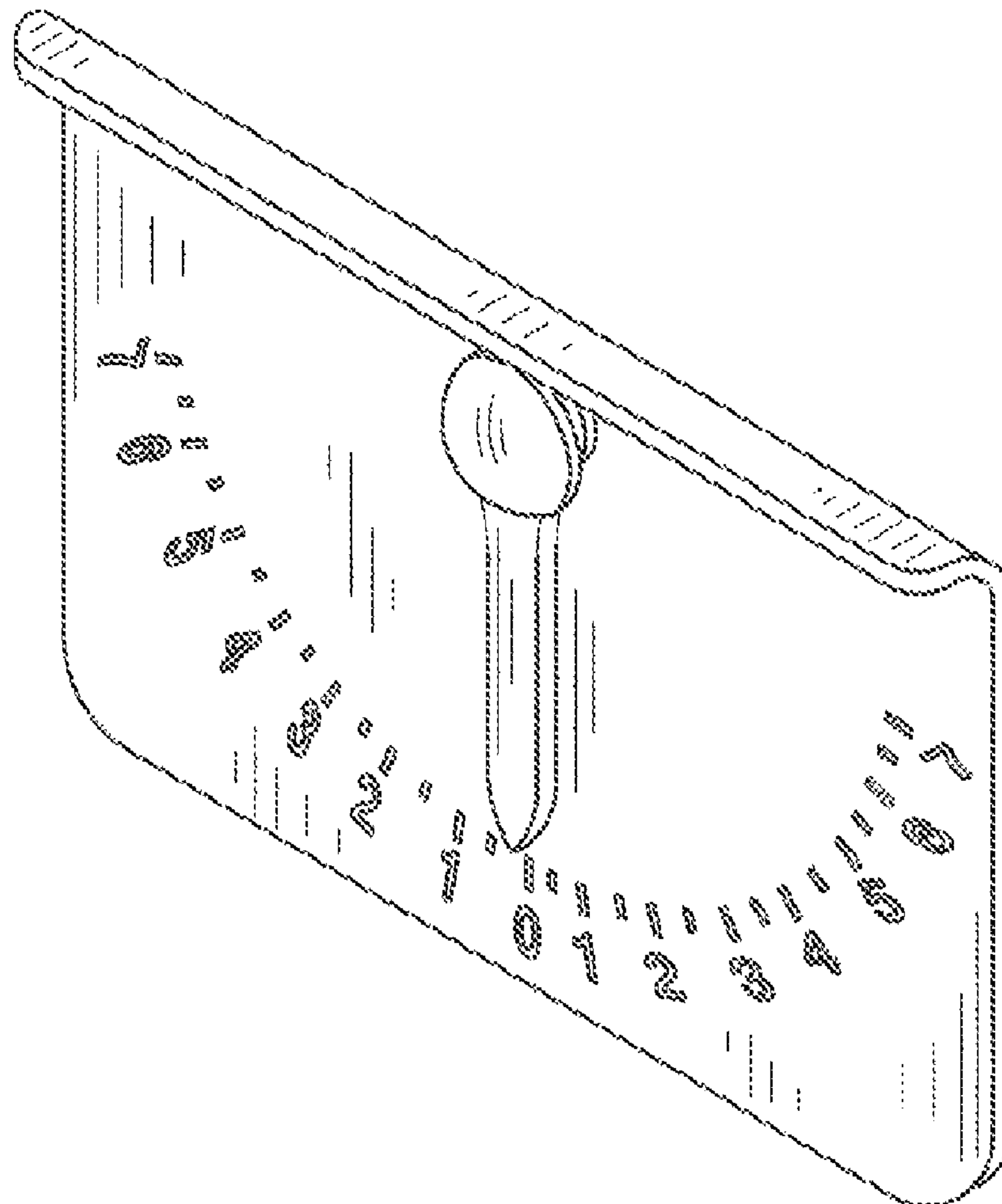
FIG. 1 is a perspective view showing my new design;
FIG. 2 is a top elevational view thereof;
FIG. 3 is a front view thereof;
FIG. 4 is a side plan view thereof;
FIG. 5 is a back plan view thereof; and,
FIG. 6 is a back elevational view thereof.

(56) **References Cited**

U.S. PATENT DOCUMENTS

D379,657 S * 6/1997 Pretel et al. D24/140
D469,368 S * 1/2003 Lin D10/65

1 Claim, 2 Drawing Sheets



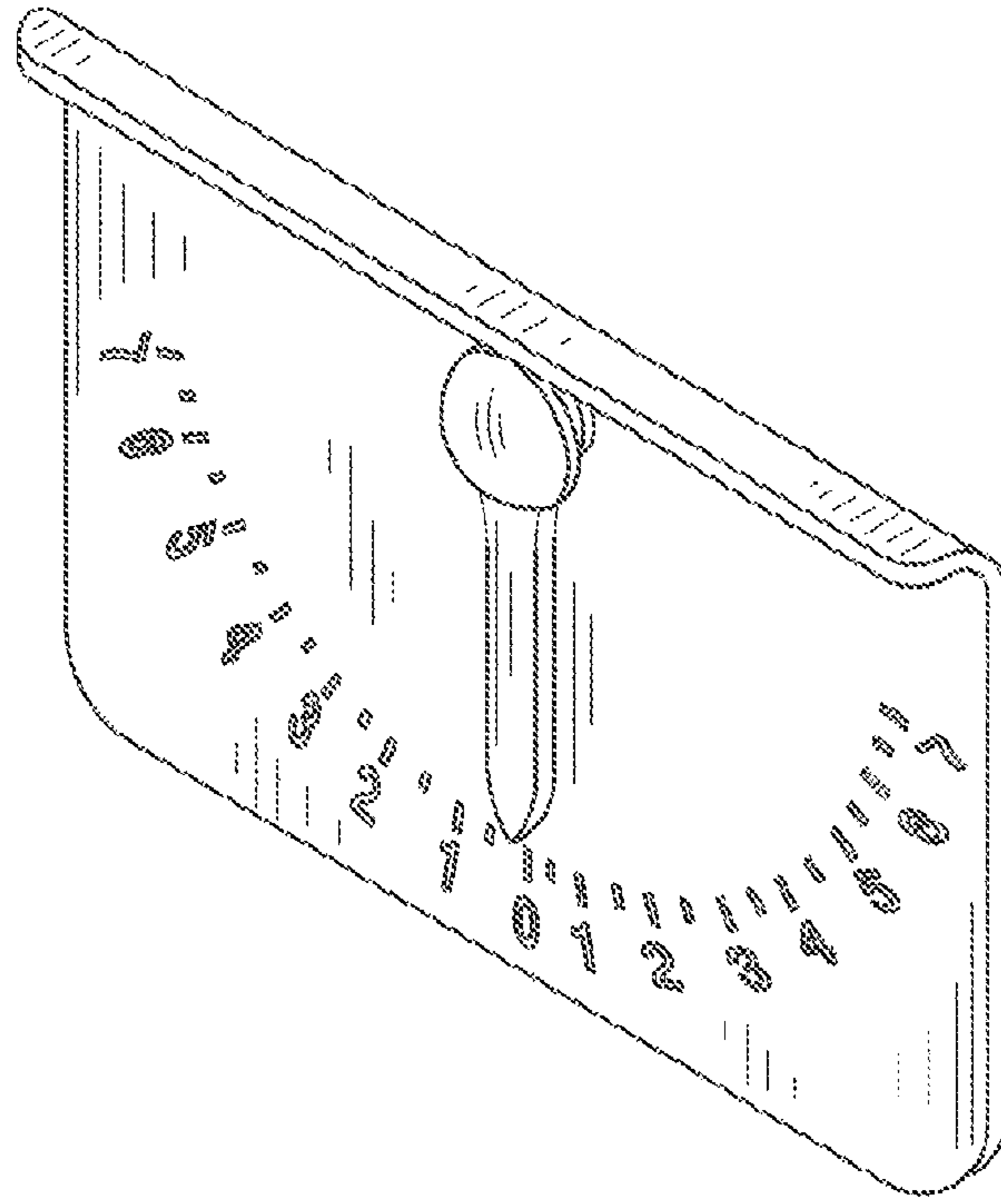


FIG. 1

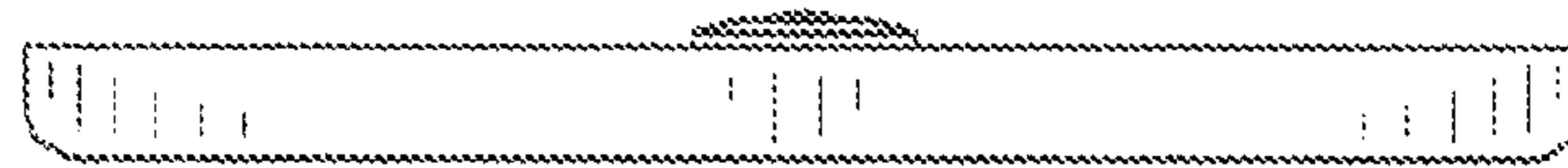


FIG. 2

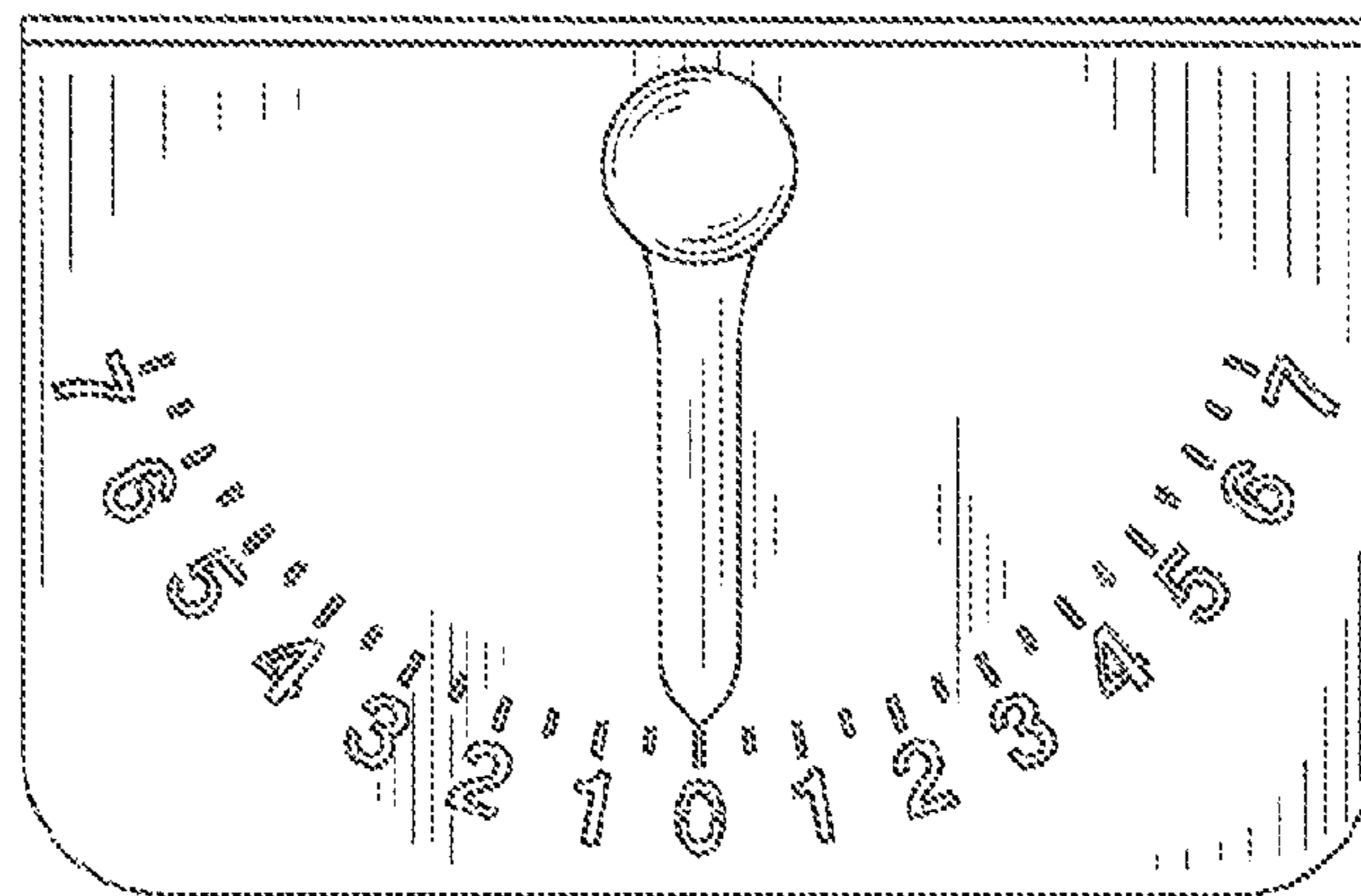


FIG. 3

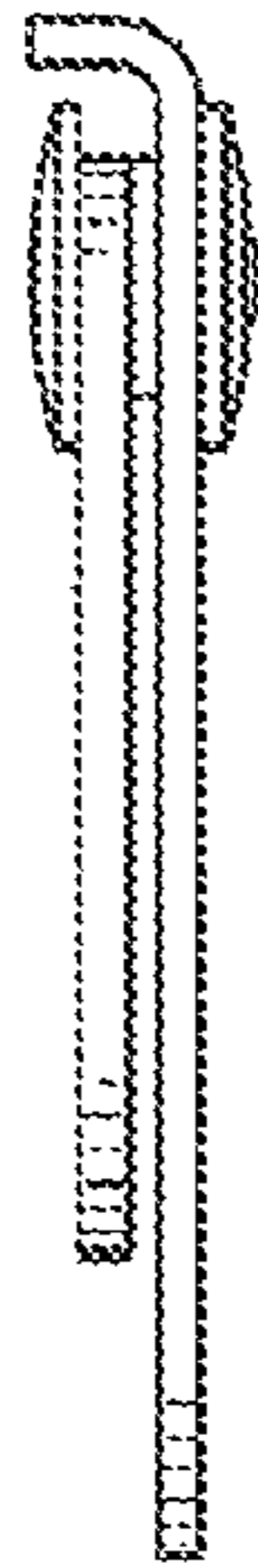


FIG. 4

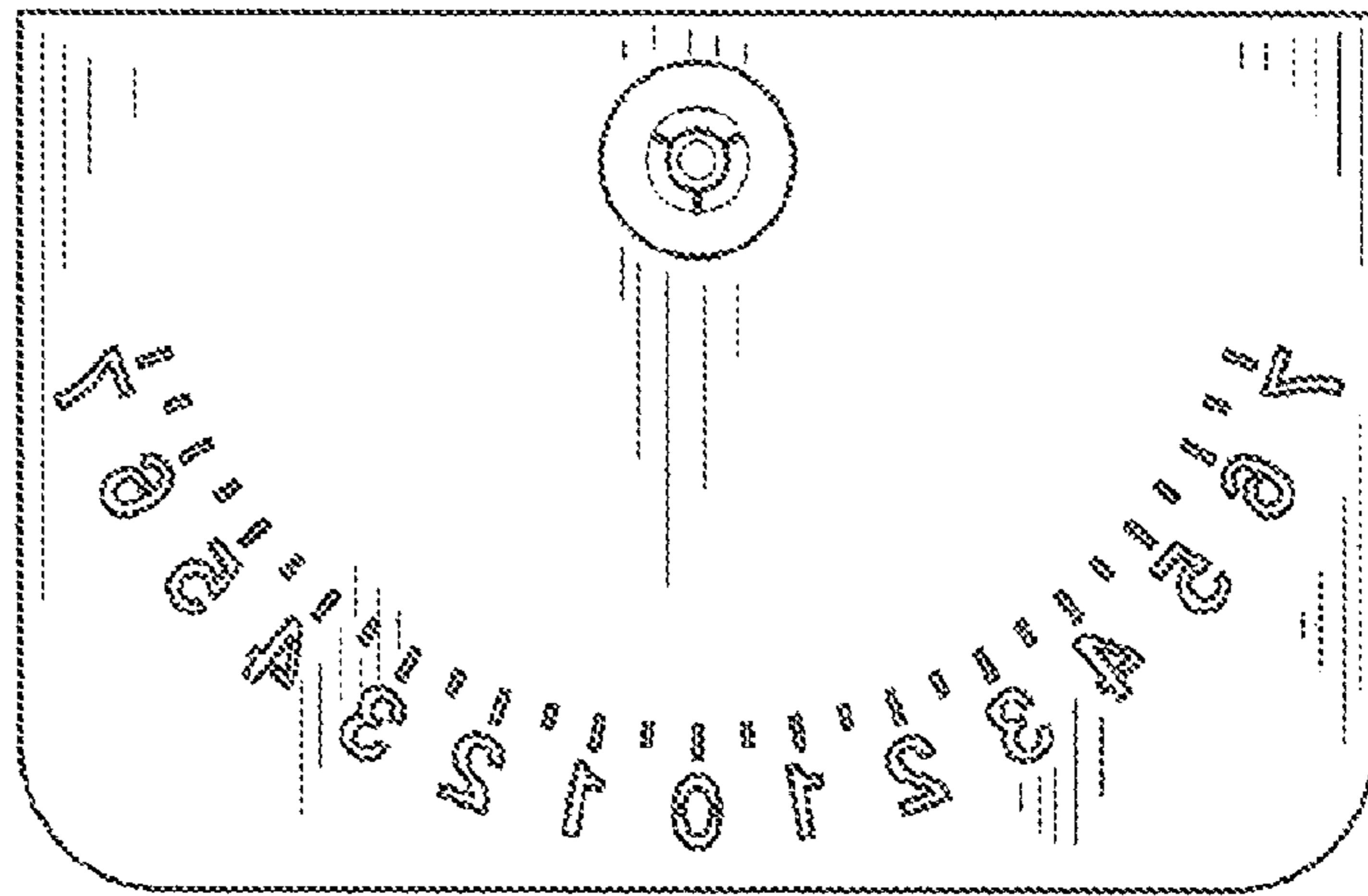


FIG. 5

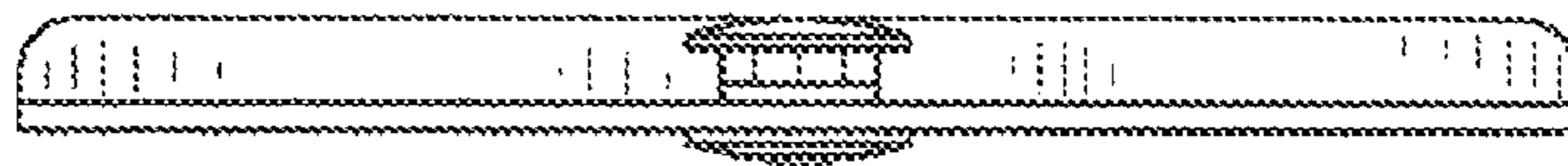


FIG. 6