



US00D635471S

(12) **United States Design Patent**  
**Borders**

(10) **Patent No.:** **US D635,471 S**

(45) **Date of Patent:** **\*\* Apr. 5, 2011**

(54) **SPORTS FAN CLOCK**

(76) Inventor: **Lionel Terrence Borders,**  
Westmoreland, TN (US)

(\*\*) Term: **14 Years**

(21) Appl. No.: **29/376,175**

(22) Filed: **Oct. 2, 2010**

D237,593 S	11/1975	Tibbs
D238,857 S	2/1976	Viotte
D240,118 S	6/1976	Eisen
D302,796 S	8/1989	Goolsby
D303,219 S	9/1989	Papaefstathiou
D308,637 S	6/1990	Howe
D319,409 S	8/1991	Baum
D325,172 S	4/1992	Nomura
D325,493 S	4/1992	Hicks et al.
D351,356 S	10/1994	Kaneko
D363,931 S	11/1995	Coughlin

(Continued)

**Related U.S. Application Data**

(62) Division of application No. 29/366,921, filed on Jul. 31, 2010.

(51) **LOC (9) Cl.** ..... **10-01**

(52) **U.S. Cl.** ..... **D10/2; D10/6; D10/26**

(58) **Field of Classification Search** ..... D10/1-29;  
368/316, 317, 276, 10, 278; D6/401

See application file for complete search history.

*Primary Examiner* — Lucy Lieberman

(74) *Attorney, Agent, or Firm* — James Addison Barry, Jr.

(57) **CLAIM**

The ornamental design for a sports fan clock, as shown and described.

**DESCRIPTION**

FIG. 1 is a perspective view of a sports fan clock showing a new design;

FIG. 2 is a front elevation view of the sports fan clock shown in FIG. 1;

FIG. 3 is a right side elevation view of the sports fan clock shown in FIG. 1, the left side view being a mirror image thereof;

FIG. 4 is a top plan view of the sports fan clock shown in FIGS. 1, and 7;

FIG. 5 is a bottom plan view of the sports fan clock shown in FIGS. 1, and 7;

FIG. 6 is a rear elevation view of the sports fan clock shown in FIGS. 1, and 7, the broken line illustration forms no part of the claimed design; and,

FIG. 7 is a separate illustration of the front elevation view of the sports fan clock shown in FIG. 2 with the sports article removed, fully disclosing surface design behind the sports article.

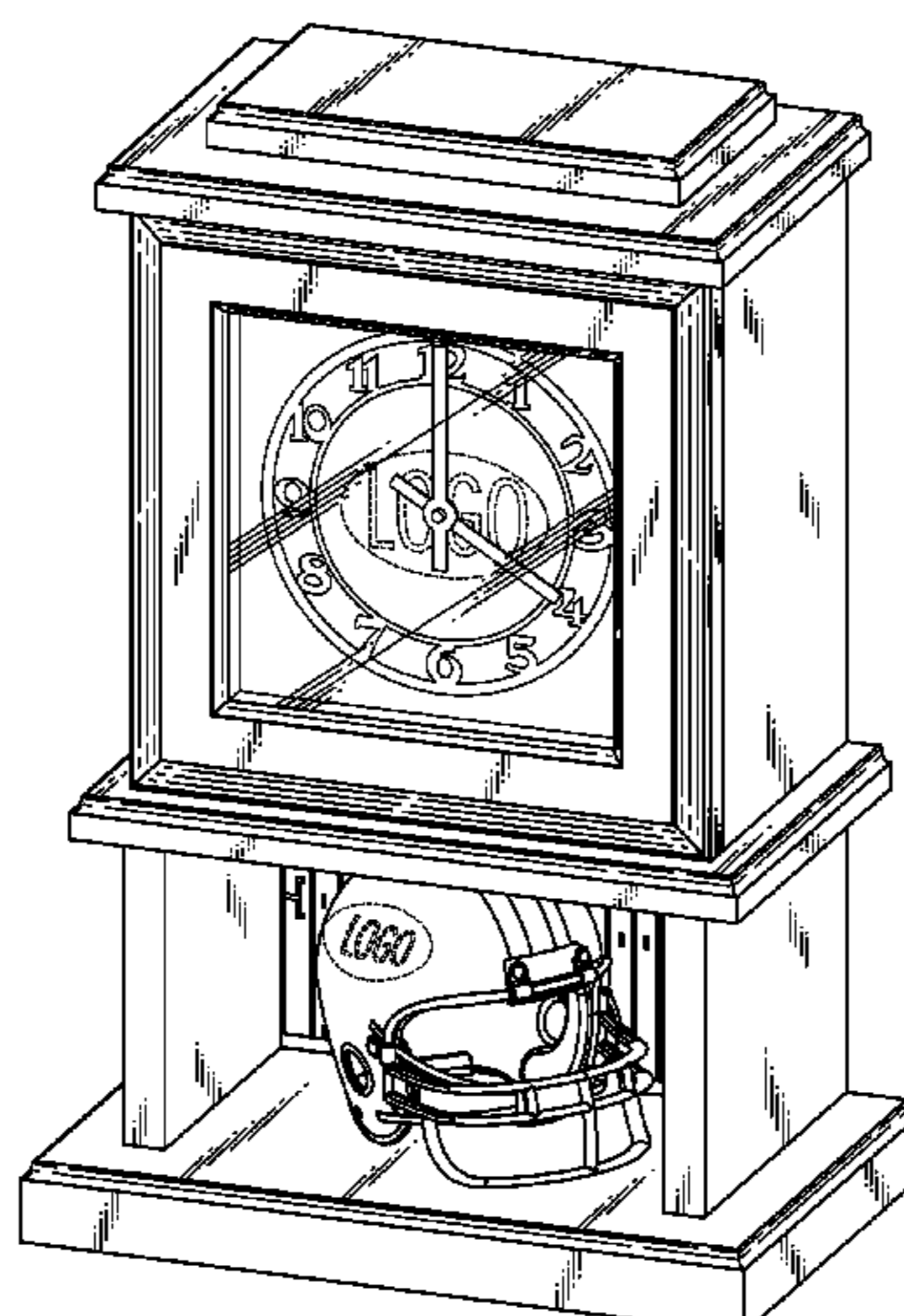
The broken line showing the sports logo on the sports fan clock in FIGS. 1, 2, and 7 is illustrative of environmental only and forms no part of the claimed design.

**1 Claim, 5 Drawing Sheets**

(56) **References Cited**

**U.S. PATENT DOCUMENTS**

D1,664 S	10/1862	Owens
D2,164 S	9/1865	Foote
D2,977 S	3/1868	Owen
D37,156 S	10/1904	Rhynedance
D37,172 S	10/1904	Rhynedance
D37,496 S	7/1905	Stephenson
D37,603 S	10/1905	Stephenson
D37,643 S	11/1905	Pardridge
D40,468 S	1/1910	Wheaton
D40,921 S	9/1910	Breitinger
D49,929 S	11/1916	Klein
D52,167 S	7/1918	Kellum
D98,758 S	3/1936	Falk
D124,843 S	1/1941	Richardson
D176,184 S	11/1955	Hancock
D185,545 S	6/1959	Gait
D199,858 S	12/1964	McLeod
D204,406 S	4/1966	Appel
D221,463 S	8/1971	Polisky
D221,464 S	8/1971	Polisky
D232,423 S	8/1974	Felske
D236,955 S	9/1975	Eisen
D236,956 S	9/1975	Eisen



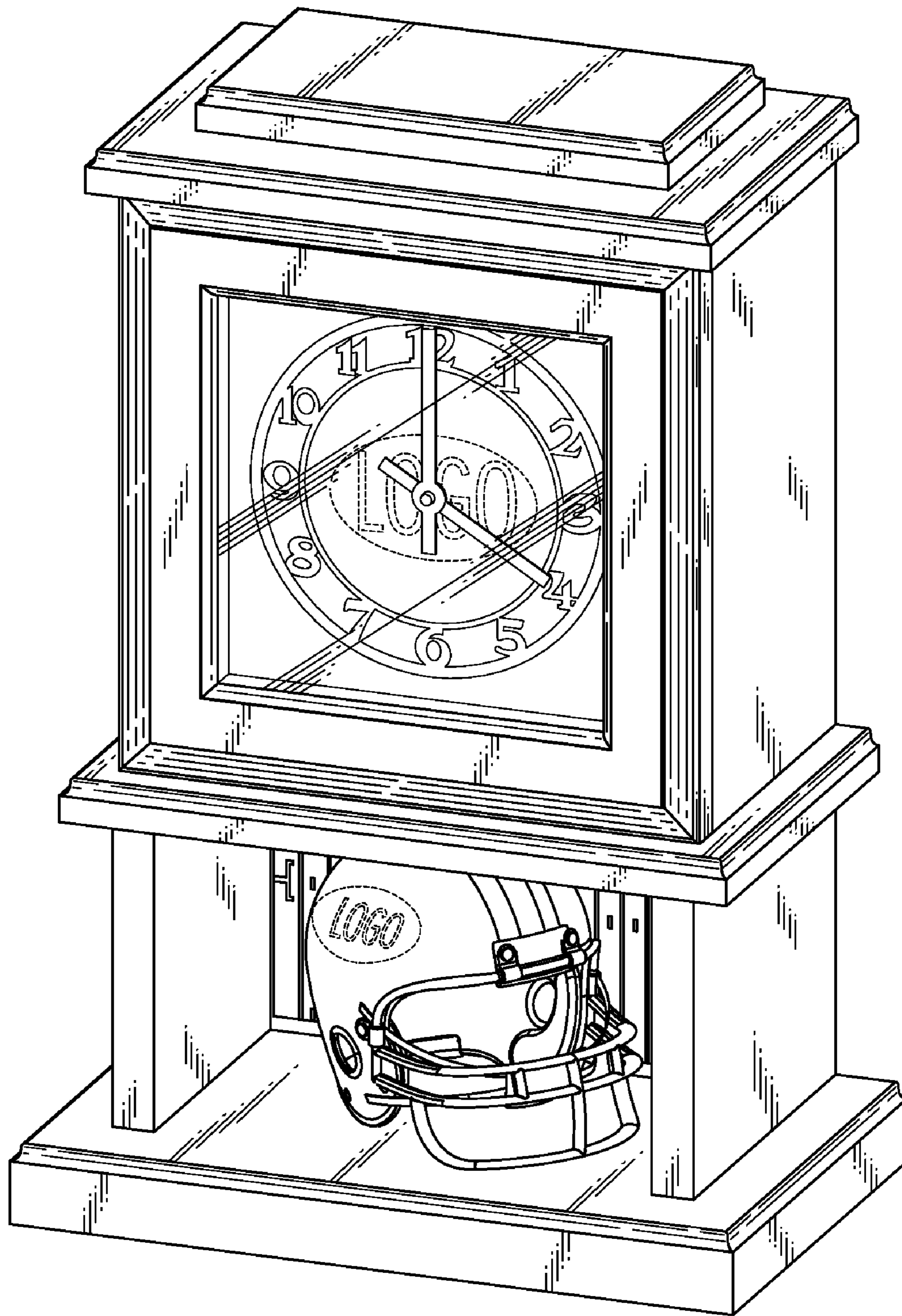
# US D635,471 S

Page 2

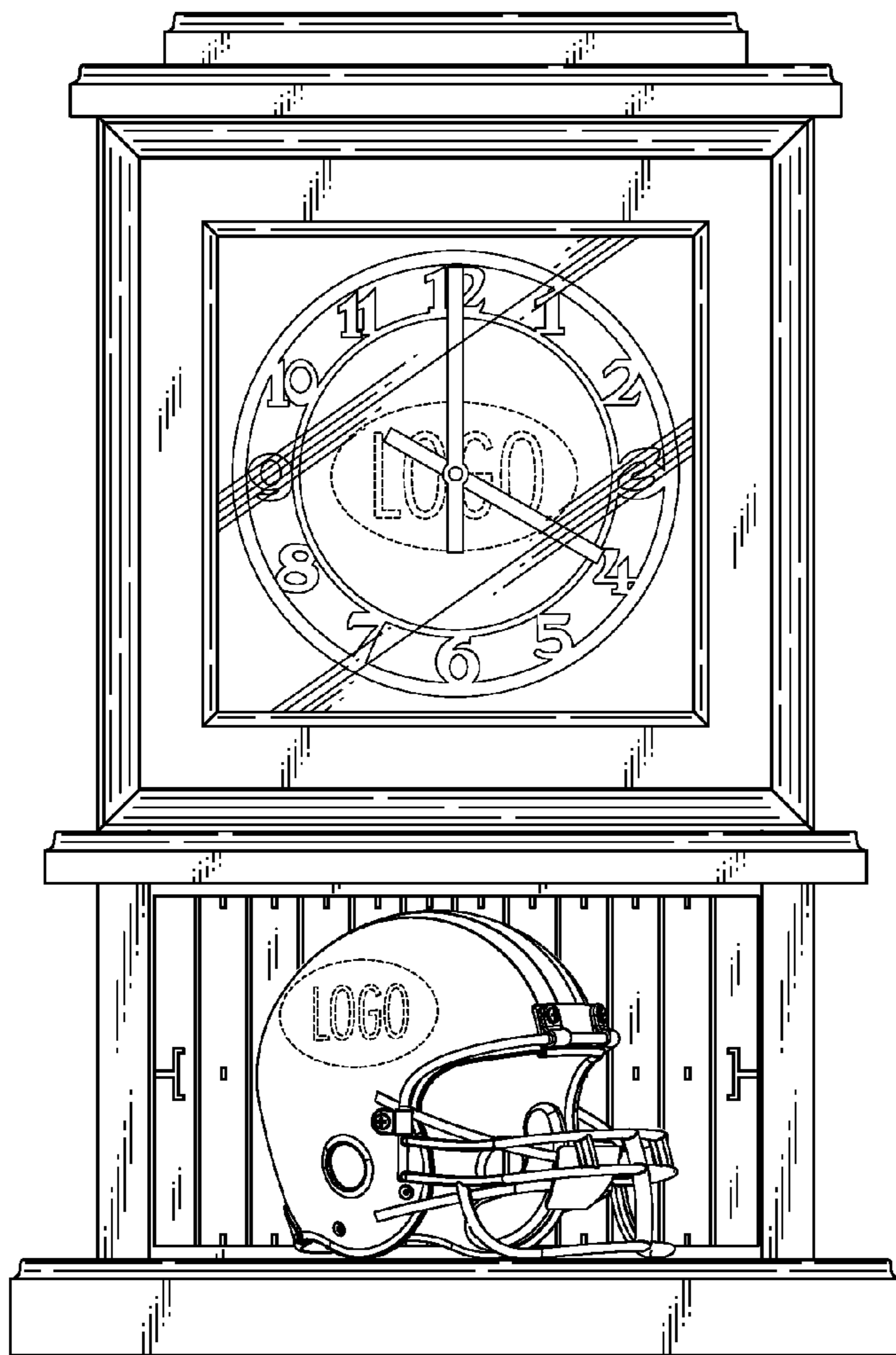
---

## U.S. PATENT DOCUMENTS

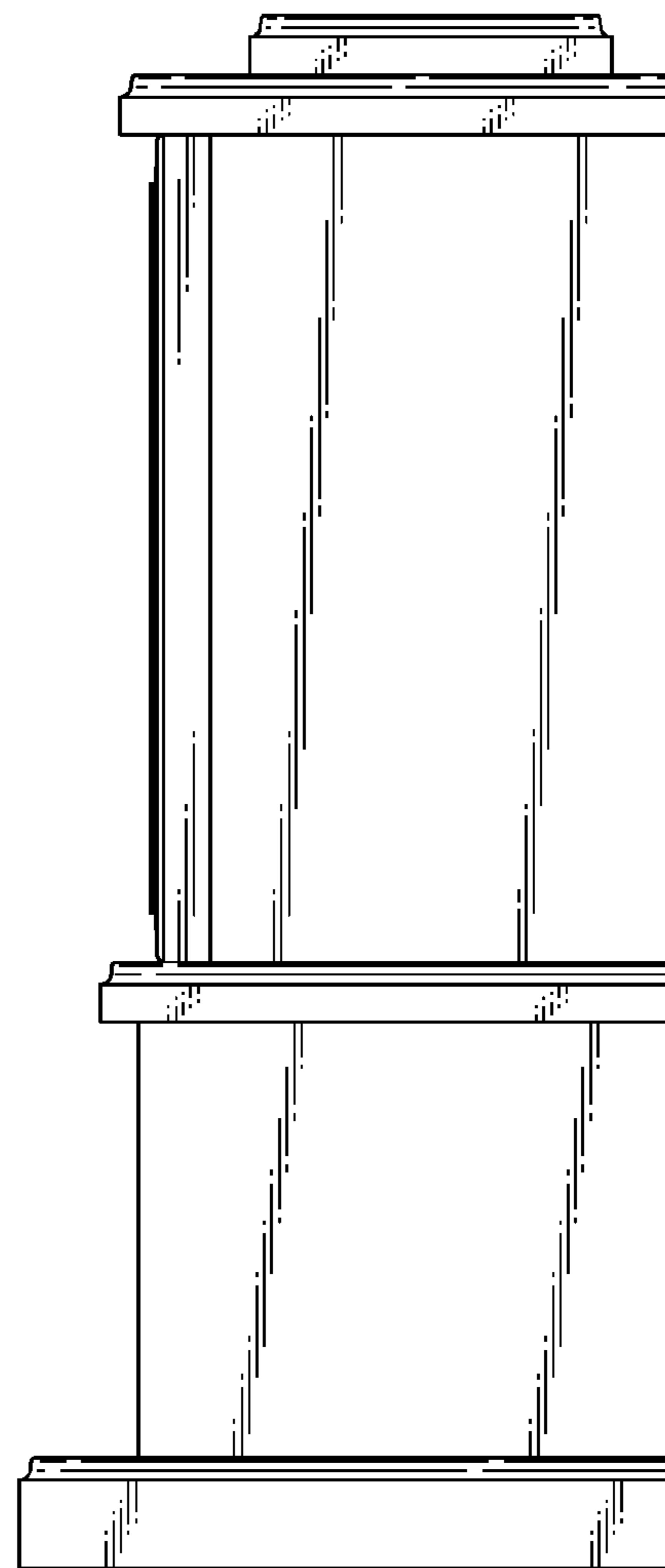
D369,946 S	5/1996	Miller et al.	D407,322 S	3/1999	Kuo
D381,919 S	8/1997	Stecher	D413,809 S	9/1999	Maloney
D386,093 S	11/1997	Shimamura	D416,202 S	11/1999	Wu
			D518,738 S	4/2006	Dreggors
			2003/0056412 A1	3/2003	Locker et al.



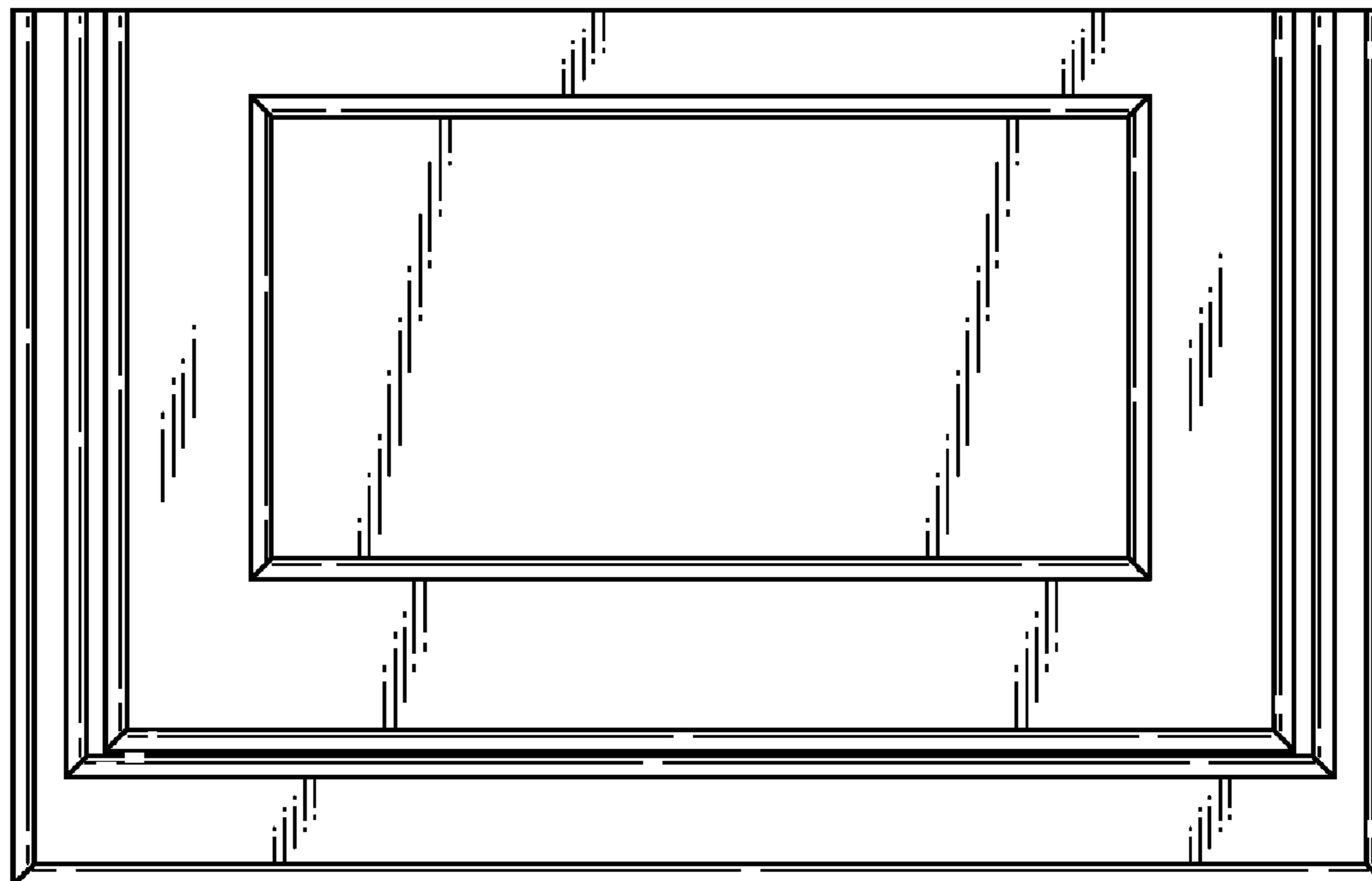
**FIG. 1**



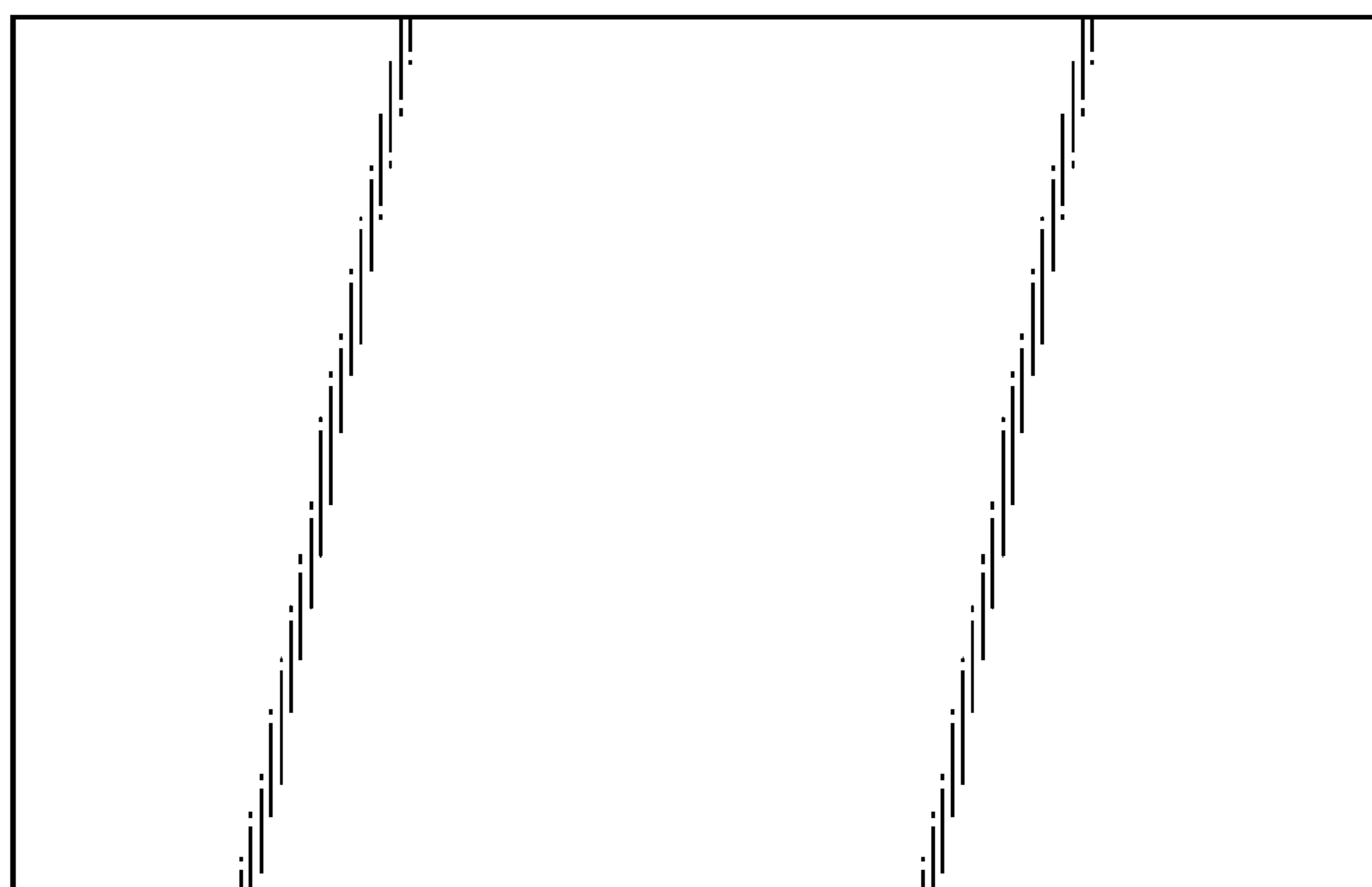
*FIG. 2*



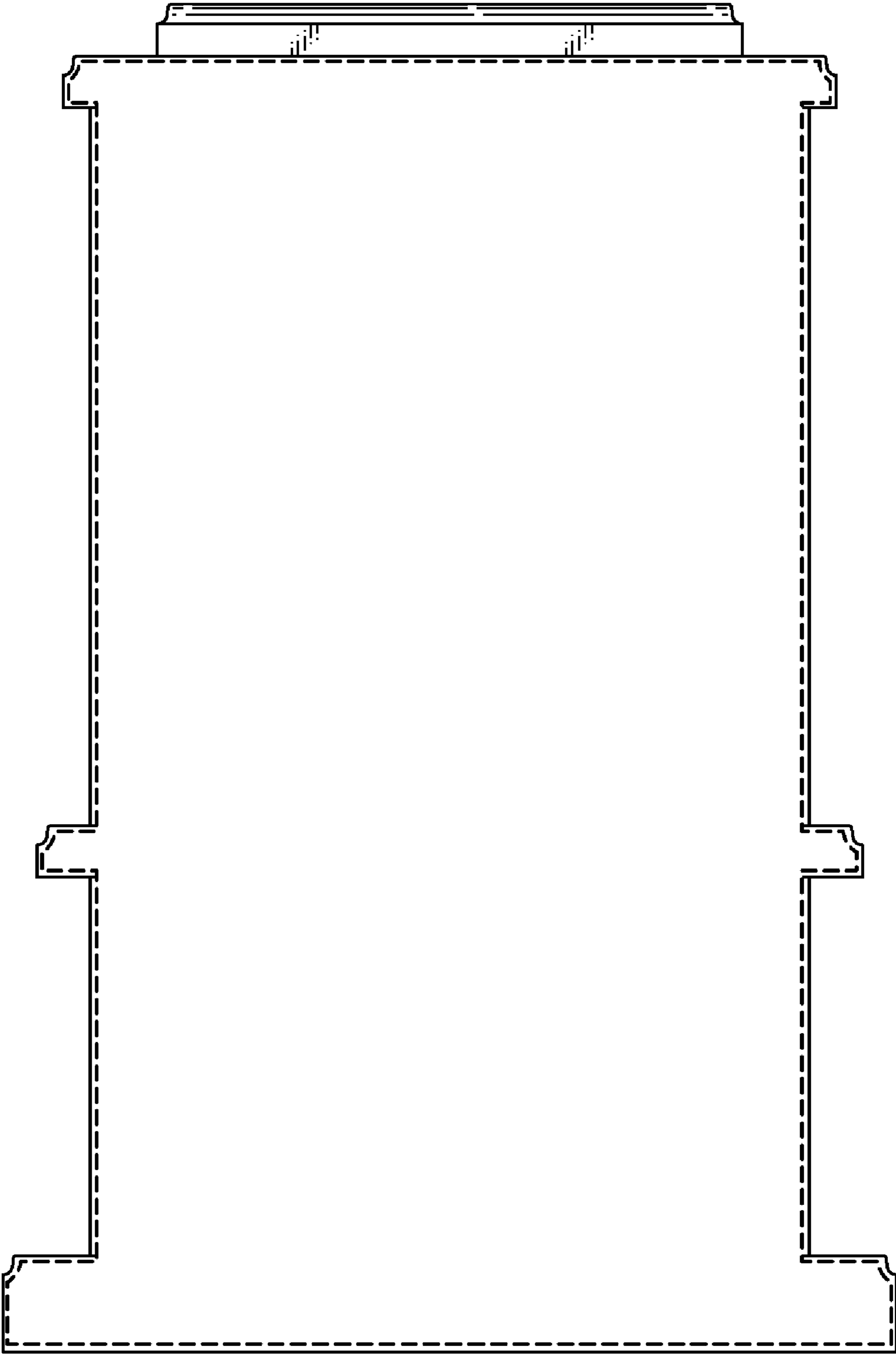
*FIG. 3*



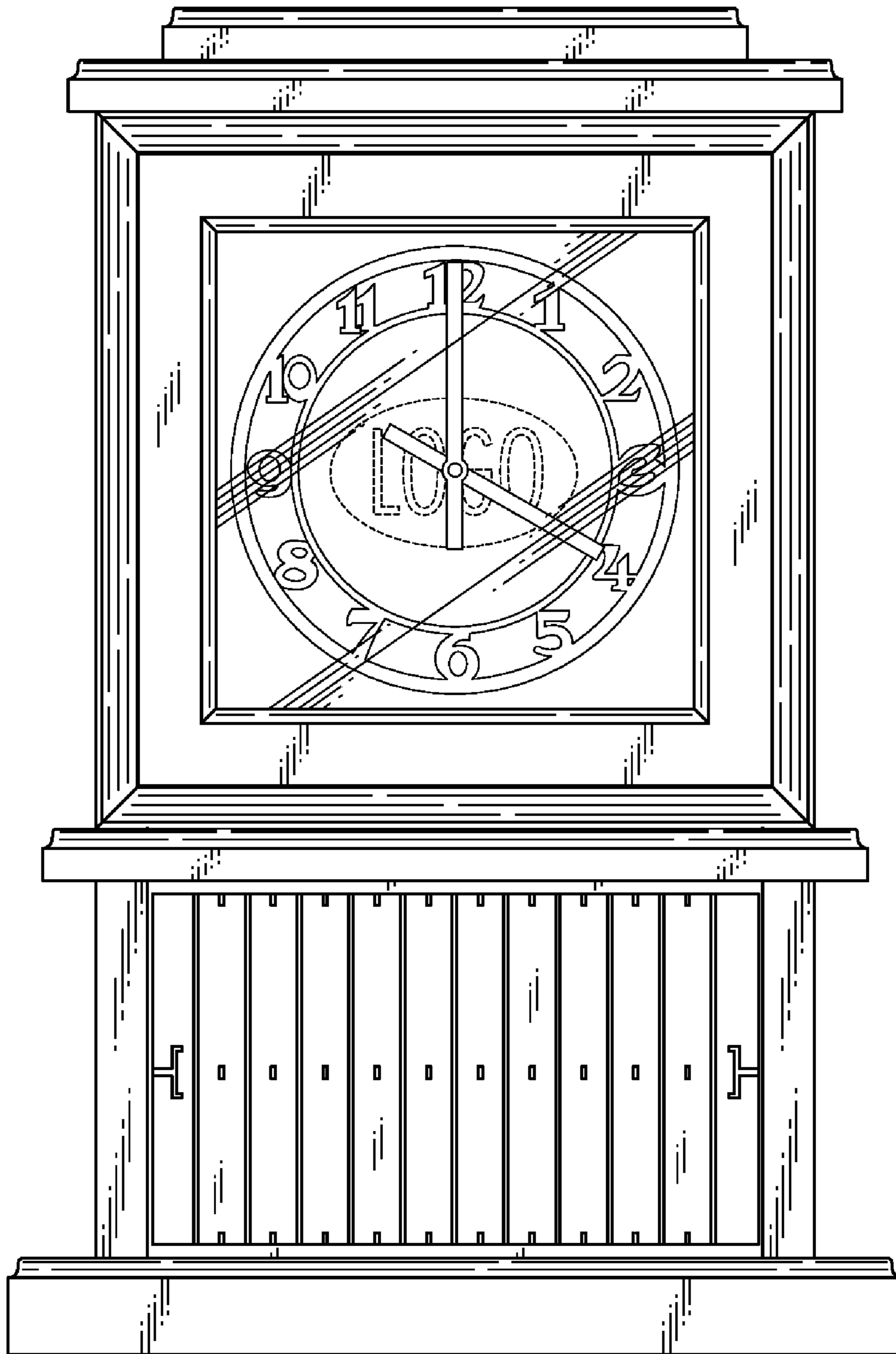
***FIG. 4***



***FIG. 5***



**FIG. 6**



**FIG. 7**