



US00D635464S

(12) **United States Design Patent**  
**Kuzma et al.**

(10) **Patent No.:** **US D635,464 S**  
(45) **Date of Patent:** **\*\* Apr. 5, 2011**

- (54) **BOTTLE**
- (75) Inventors: **Gene J. Kuzma**, Powell, OH (US);  
**Tristan O. Herstol**, Columbus, OH (US)
- (73) Assignee: **G.K. Packaging, Inc**, Plain City, OH  
(US)
- (\*\*) Term: **14 Years**
- (21) Appl. No.: **29/342,129**
- (22) Filed: **Aug. 19, 2009**
- (51) **LOC (9) Cl.** ..... **09-01**
- (52) **U.S. Cl.** ..... **D9/563; D9/571; D9/573; D9/574**
- (58) **Field of Classification Search** ..... **D9/516,**  
**D9/520, 545, 549, 550, 558, 559, 563, 571,**  
**D9/572, 573, 574; 215/379, 381-385; 220/600,**  
**220/604, 608, 609, 610, 660, 669, 670, 674,**  
**220/675**  
See application file for complete search history.

- 3,072,285 A \* 1/1963 Aileo ..... 220/326
- D195,230 S 5/1963 Dubbs
- D196,990 S 11/1963 Dubbs
- D198,405 S 6/1964 Racknagel
- D198,407 S 6/1964 Busch
- D201,997 S 8/1965 Ludetke
- D204,707 S 5/1966 Abbott
- 3,342,379 A 9/1967 Foley
- D209,097 S 10/1967 Stehl
- D211,509 S 6/1968 Vanderhyde
- D213,355 S 2/1969 Kneapler
- D213,421 S 3/1969 Leary
- D214,554 S 7/1969 Ottman et al.
- D217,439 S 5/1970 Platte
- D219,366 S 12/1970 Lewis, Jr. et al.
- D222,530 S 11/1971 Luedtke
- D225,834 S 1/1973 Kneapler
- 3,732,999 A \* 5/1973 Rounkles ..... 215/6

(Continued)

*Primary Examiner* — Stella M Reid  
*Assistant Examiner* — Elizabeth J Oswecki  
(74) *Attorney, Agent, or Firm* — Gallagher & Dawsey Co.,  
LPA; Michael J. Gallagher; David J. Dawsey

(56) **References Cited**  
U.S. PATENT DOCUMENTS

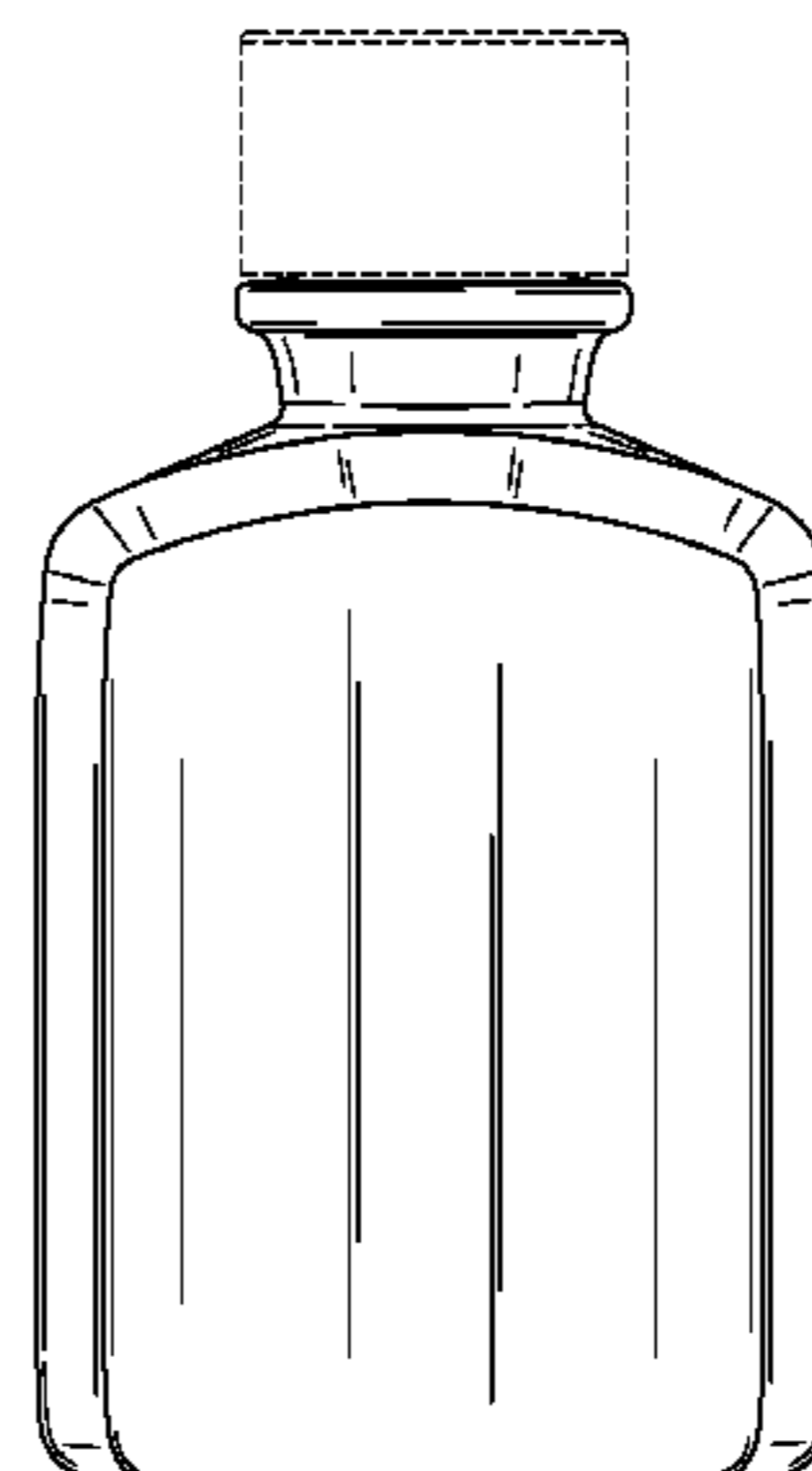
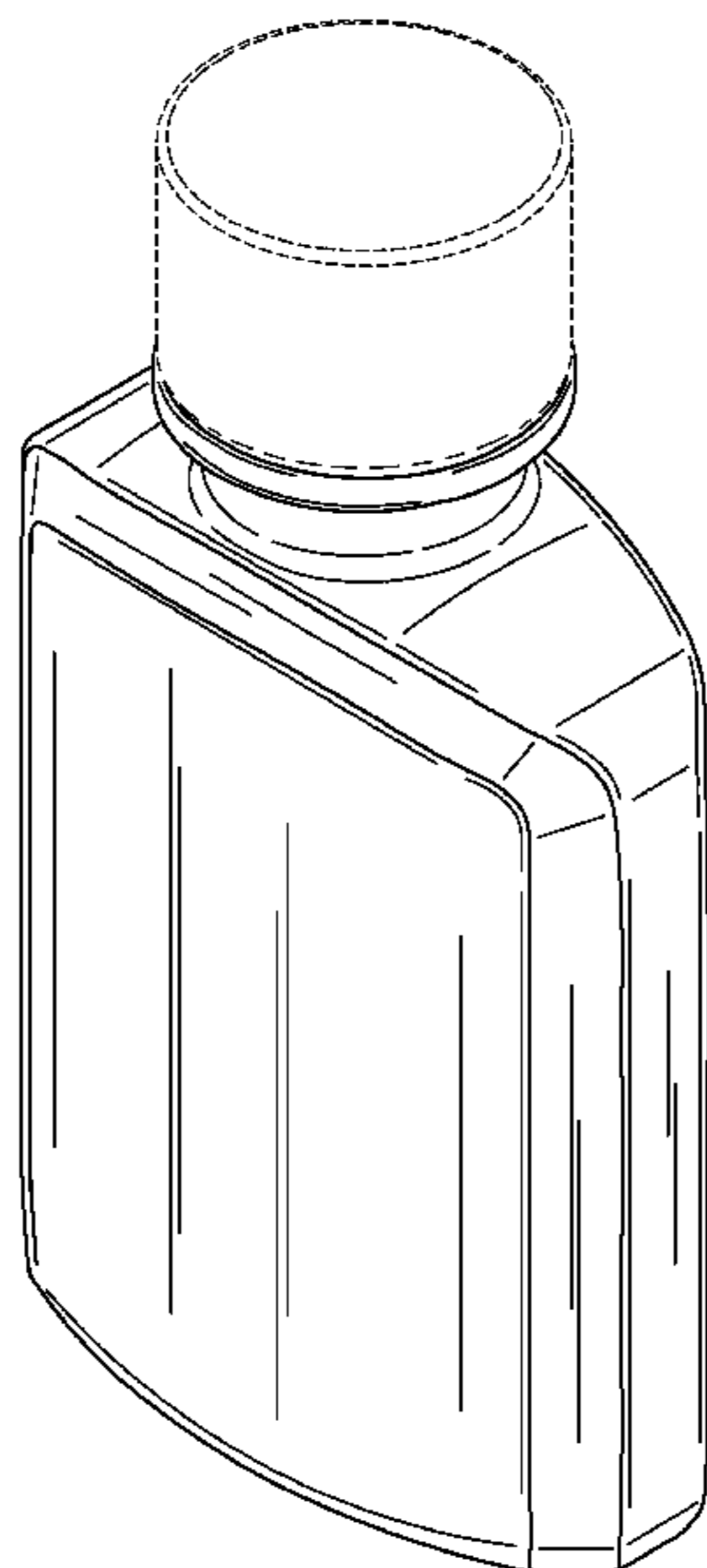
- D21,382 S 3/1892 Hannold
- D28,182 S 1/1898 Whittall
- D37,819 S 2/1906 Bradley
- 882,864 A 3/1908 Burke
- D52,472 S 9/1918 Corey
- D94,189 S 1/1935 Cassedy
- D97,176 S 10/1935 Clevenger
- D97,178 S 10/1935 Clevenger
- D101,919 S 11/1936 Leach
- D104,546 S 5/1937 Topping
- D106,370 S 10/1937 Pancoast
- D106,628 S 10/1937 Leach, Jr.
- D143,421 S 1/1946 Gasner
- 2,586,687 A 2/1952 Mellon
- D176,226 S 11/1955 Morris
- D189,460 S 12/1960 Richter
- D192,535 S 4/1962 Laudano
- D193,311 S 7/1962 Buckley

(57) **CLAIM**  
We claim the ornamental design for a bottle, as shown and described.

**DESCRIPTION**

FIG. 1 is a perspective view of a bottle showing our new design;  
FIG. 2 is a front elevation view thereof;  
FIG. 3 is a rear elevation view thereof;  
FIG. 4 is a left side elevation view thereof;  
FIG. 5 is a right side elevation view thereof;  
FIG. 6 is a top plan thereof; and,  
FIG. 7 is a bottom plan view thereof.  
The broken line disclosure represents non claimed subject matter and forms no part of the claimed design.

**1 Claim, 4 Drawing Sheets**



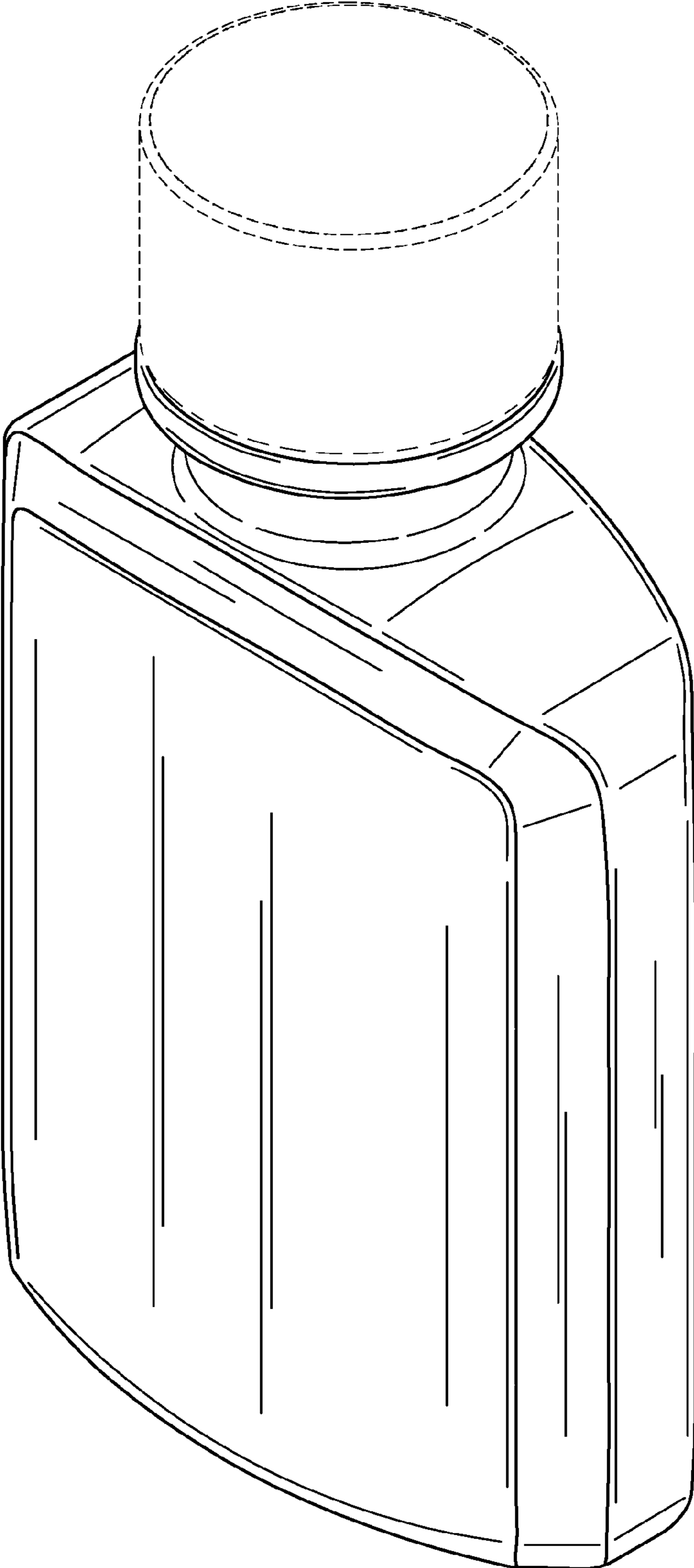
# US D635,464 S

U.S. PATENT DOCUMENTS				
D227,344	S	6/1973	Lerner	
D234,682	S *	4/1975	Quintal .....	D9/574
3,874,562	A	4/1975	Hazard	
D238,555	S	1/1976	Blank	
D243,657	S *	3/1977	Strand .....	D9/542
D246,953	S	1/1978	Britt	
D247,221	S	2/1978	Landor et al.	
D248,088	S	6/1978	Britt	
D254,596	S *	4/1980	Spigelman .....	D9/522
D254,651	S	4/1980	Shortino	
D254,652	S	4/1980	Shortino	
D254,711	S	4/1980	Shortino	
D254,713	S	4/1980	Shortino	
D254,773	S *	4/1980	Kretz .....	D9/542
D255,217	S *	6/1980	Plummer .....	D9/522
D255,543	S	6/1980	Shortino	
D255,652	S	7/1980	Kretz	
D256,555	S	8/1980	Beeman	
D257,504	S	11/1980	Weckman	
D258,117	S	2/1981	Cox	
D259,542	S	6/1981	Shortino	
D261,107	S	10/1981	Harris	
D263,281	S	3/1982	Smith	
D266,990	S	11/1982	Cook	
D268,647	S	4/1983	Kingsford	
D273,564	S	4/1984	Spielhoff	
D281,863	S	12/1985	Beechuk et al.	
D282,052	S *	1/1986	Beaver et al. ....	D9/539
D282,443	S *	2/1986	Beaver et al. ....	D9/563
D288,905	S	3/1987	Platte, Sr.	
D296,867	S	7/1988	Kuzma et al.	
D306,695	S	3/1990	Smith	
D308,337	S	6/1990	Weckman	
D309,714	S *	8/1990	Biesecker .....	D9/542
D310,329	S	9/1990	Schmidt	
D312,779	S	12/1990	Tacsonelli	
D313,751	S *	1/1991	Taylor .....	D9/529
D317,259	S	6/1991	Schmidt	
D321,131	S	10/1991	Wiseman et al.	
D322,937	S	1/1992	Dinand	
D324,820	S	3/1992	Hayman et al.	
D324,998	S	3/1992	Klapwald	
D336,246	S	6/1993	Narvaez	
D340,864	S *	11/1993	De Rothschild et al. ....	D9/522
D346,964	S	5/1994	Green	
D347,388	S	5/1994	Crawford	
D347,389	S	5/1994	Crawford	
D347,794	S	6/1994	Lewis	
D349,857	S	8/1994	Lonczak et al.	
D350,691	S	9/1994	Simion	
D352,462	S	11/1994	Rupert	
D353,775	S	12/1994	Thompson	
5,392,937	A	2/1995	Prevot et al.	
D356,038	S	3/1995	Biesecker	
D357,418	S	4/1995	Lonczak et al.	
D360,831	S	8/1995	Boisset	
D367,010	S *	2/1996	Moore et al. ....	D9/542
D368,859	S	4/1996	LoPreto	
D369,980	S	5/1996	Dinand	
D372,200	S *	7/1996	Lathrop et al. ....	D9/558
D372,675	S *	8/1996	Pollard et al. ....	D9/542
D372,873	S *	8/1996	Lathrop et al. ....	D9/558
5,542,585	A	8/1996	Peters et al.	
D373,536	S	9/1996	Kokenge et al.	
D374,613	S *	10/1996	Maxwell et al. ....	D9/694
D375,051	S	10/1996	Lathrop et al.	
D376,310	S	12/1996	Crawford	
5,598,941	A	2/1997	Semersky et al.	
D378,665	S	4/1997	Fenton et al.	
D381,895	S	8/1997	Cheng	
D382,209	S	8/1997	Fenton et al.	
D382,808	S *	8/1997	Fenton et al. ....	D9/522
D386,090	S	11/1997	Giovellina	
D392,895	S	3/1998	Kuzma et al.	
D392,897	S	3/1998	Biesecker et al.	
D393,202	S	4/1998	Bertolini et al.	
D394,211	S *	5/1998	Kuzma et al. ....	D9/542
D395,396	S	6/1998	Kuzma et al.	
D396,009	S *	7/1998	Reubens .....	D9/530
D396,191	S	7/1998	Kuzma et al.	
D397,608	S	9/1998	Fiore	
D398,239	S	9/1998	Bertolini et al.	
D398,244	S	9/1998	Bertolini et al.	
D398,853	S	9/1998	Phillips	
5,816,451	A	10/1998	Renault	
D403,592	S	1/1999	Everard et al.	
D405,015	S *	2/1999	Kotyuk .....	D9/573
D408,740	S	4/1999	Jones et al.	
D409,092	S	5/1999	Beasley	
D411,804	S	7/1999	Zaragoza	
D412,851	S	8/1999	Nosella	
D413,807	S	9/1999	Mikla	
5,954,213	A	9/1999	Gerhart et al.	
D415,037	S	10/1999	Pritchard et al.	
D417,624	S	12/1999	Herrmann et al.	
D419,864	S *	2/2000	Kuzma et al. ....	D9/682
D419,889	S	2/2000	Kuzma et al.	
D422,506	S	4/2000	Cummings	
D423,370	S	4/2000	Lewin	
D424,448	S	5/2000	Weber	
D425,408	S	5/2000	Bakic	
D425,429	S	5/2000	Weber	
D427,073	S	6/2000	Gaffney	
6,077,579	A *	6/2000	De Laforcade .....	428/35.7
D428,343	S	7/2000	Waitzenegger	
D428,578	S	7/2000	Waitzenegger	
D429,629	S *	8/2000	Kuzma et al. ....	D9/682
D429,649	S	8/2000	Kotyuk	
D431,006	S *	9/2000	Kotyuk .....	D9/569
D432,920	S	10/2000	Johnson et al.	
D432,922	S *	10/2000	Gose .....	D9/571
D433,338	S *	11/2000	Blaakman .....	D9/542
D433,637	S	11/2000	Hailey et al.	
D433,947	S	11/2000	Ewing, Jr.	
D437,559	S	2/2001	Fenton et al.	
D437,775	S	2/2001	Dalmau	
D438,118	S	2/2001	Dalmau	
D439,518	S	3/2001	Gavin	
D439,843	S	4/2001	Dalmau	
D441,293	S	5/2001	Togasawa	
D444,389	S	7/2001	Bakic	
D444,390	S	7/2001	Kokenge et al.	
D446,459	S	8/2001	Weber	
D447,694	S	9/2001	Leggett	
D448,678	S	10/2001	Bakic	
D448,999	S	10/2001	Weber	
D450,597	S	11/2001	Bobchenok et al.	
6,321,923	Bl	11/2001	Wood	
D452,157	S	12/2001	White et al.	
D452,446	S	12/2001	Shear	
D455,648	S	4/2002	Cummings	
D455,655	S	4/2002	Bunce	
D457,069	S	5/2002	Palaia	
D458,149	S	6/2002	Cummings	
D458,847	S	6/2002	Kuzma et al.	
D459,212	S	6/2002	Gobe	
D459,659	S	7/2002	Chung	
D459,996	S	7/2002	Kuzma et al.	
D463,474	S	9/2002	Peon et al.	
D468,643	S	1/2003	Kuzma et al.	
D468,644	S	1/2003	Kuzma et al.	
D469,022	S	1/2003	Kuzma et al.	
D469,214	S	1/2003	Kuzma et al.	
D470,772	S	2/2003	Egger	
D471,111	S	3/2003	Weaver et al.	
D471,461	S	3/2003	McGowan	
D472,154	S	3/2003	Peon et al.	
D475,298	S	6/2003	Corrigan et al.	
D480,002	S	9/2003	Canepa	
D480,975	S *	10/2003	de Baschmakoff .....	D9/563
D481,950	S	11/2003	Bakic	
D486,065	S	2/2004	Hutchinson et al.	
D489,008	S *	4/2004	Giovanni .....	D9/558
D489,267	S	5/2004	Rennie et al.	
D496,283	S	9/2004	Busa, Jr.	
D497,312	S	10/2004	Anderson et al.	
D498,670	S	11/2004	Cummings et al.	

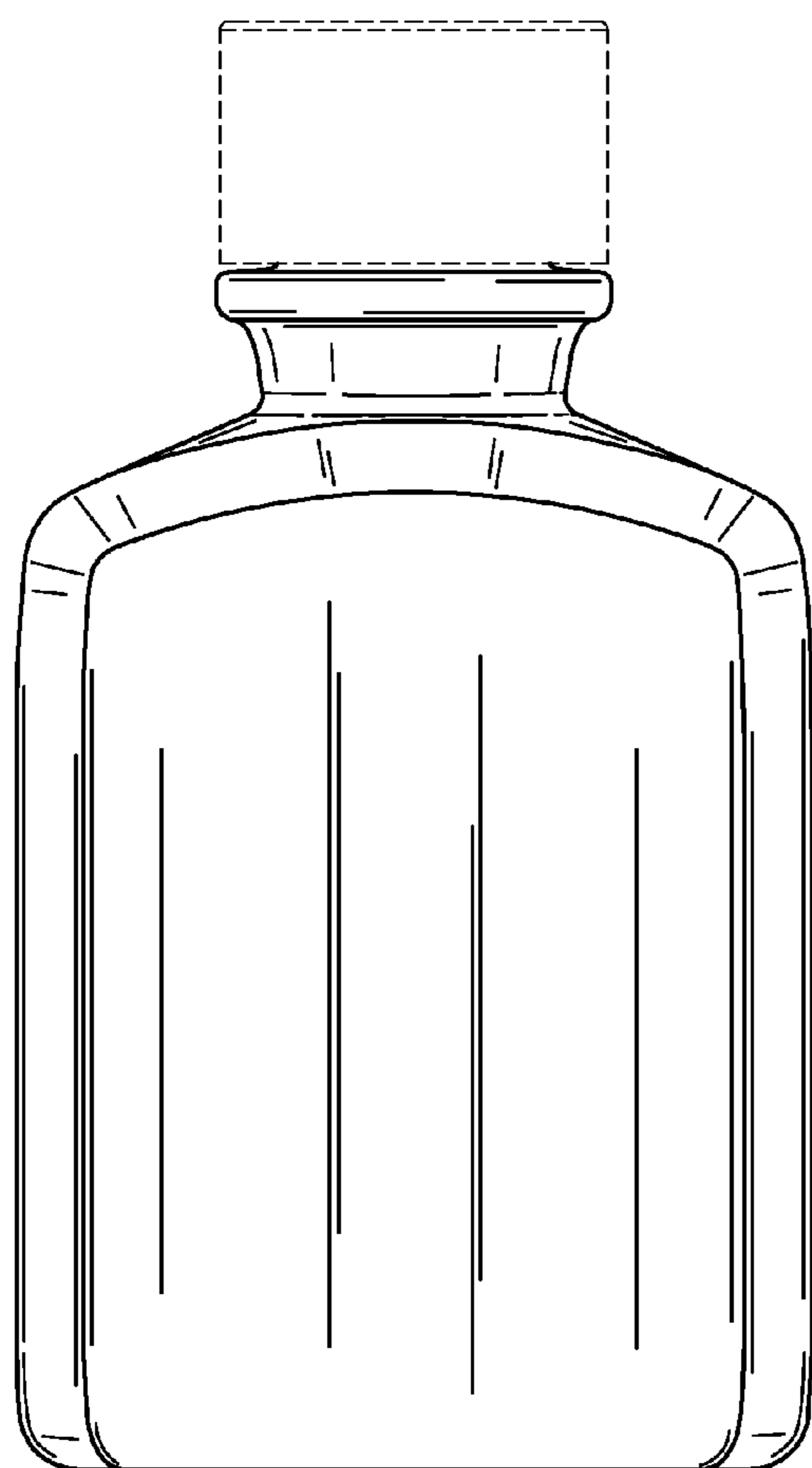
# US D635,464 S

D500,954 S	1/2005	Kuzma et al.	D540,185 S	4/2007	Cummings et al.
D501,141 S	1/2005	Bakic	D541,162 S	4/2007	Pleines et al.
D502,400 S	3/2005	Cinquino et al.	D541,664 S *	5/2007	Galdini ..... D9/574
D505,079 S	5/2005	Mulder et al.	D542,661 S	5/2007	Adler et al.
D509,148 S	9/2005	Wilson et al.	D545,201 S *	6/2007	Pitassi ..... D9/520
D510,030 S	9/2005	Storz et al.	D547,190 S	7/2007	Kuzma et al.
6,964,345 B2 *	11/2005	Wetherell et al. .... 215/10	D551,555 S	9/2007	Escobosa et al.
D513,993 S	1/2006	Boyd	D552,695 S *	10/2007	Mayers ..... D21/629
D514,448 S	2/2006	Kuzma et al.	D553,001 S	10/2007	Granitz
6,997,337 B1 *	2/2006	Wurster ..... 215/382	D555,498 S *	11/2007	Bansal ..... D9/558
D521,386 S	5/2006	Priestman	D556,056 S	11/2007	Thomas et al.
D522,867 S	6/2006	Bakic	D558,575 S	1/2008	Van Der Krogt et al.
D523,756 S *	6/2006	Considine et al. .... D9/573	D558,580 S	1/2008	Kuzma et al.
D524,657 S	7/2006	Harris et al.	D559,114 S	1/2008	Breitlander
D524,658 S *	7/2006	Varlet ..... D9/544	D562,138 S *	2/2008	Warner ..... D9/522
D525,872 S	8/2006	Haubert et al.	D562,139 S	2/2008	Crabtree et al.
D525,873 S	8/2006	Haubert et al.	D562,140 S	2/2008	Crabtree et al.
D526,200 S	8/2006	Bakic	D563,793 S	3/2008	Nomoto
D526,204 S	8/2006	Stolle	D567,664 S	4/2008	Rica
D527,636 S	9/2006	Bakic	D569,730 S	5/2008	Crabtree et al.
D529,388 S	10/2006	Bakic	D578,395 S	10/2008	Kuzma et al.
D529,810 S	10/2006	Davies et al.	D578,406 S	10/2008	Kuzma et al.
D529,814 S *	10/2006	Winkler et al. .... D9/563	D581,276 S	11/2008	Kuzma et al.
D535,565 S *	1/2007	Pitassi ..... D9/530	D585,750 S	2/2009	Kuzma et al.
D535,887 S	1/2007	Haubert, III et al.	D615,415 S *	5/2010	Holmes et al. .... D9/541
D535,888 S	1/2007	Kuzma et al.	D617,201 S *	6/2010	Holmes et al. .... D9/541
D535,891 S	1/2007	Varlet	2008/0093327 A1 *	4/2008	Stolle ..... 215/235
D538,678 S	3/2007	Cummings et al.	2008/0314859 A1 *	12/2008	Rim et al. .... 215/316
D539,150 S *	3/2007	Leoncavallo et al. .... D9/522			

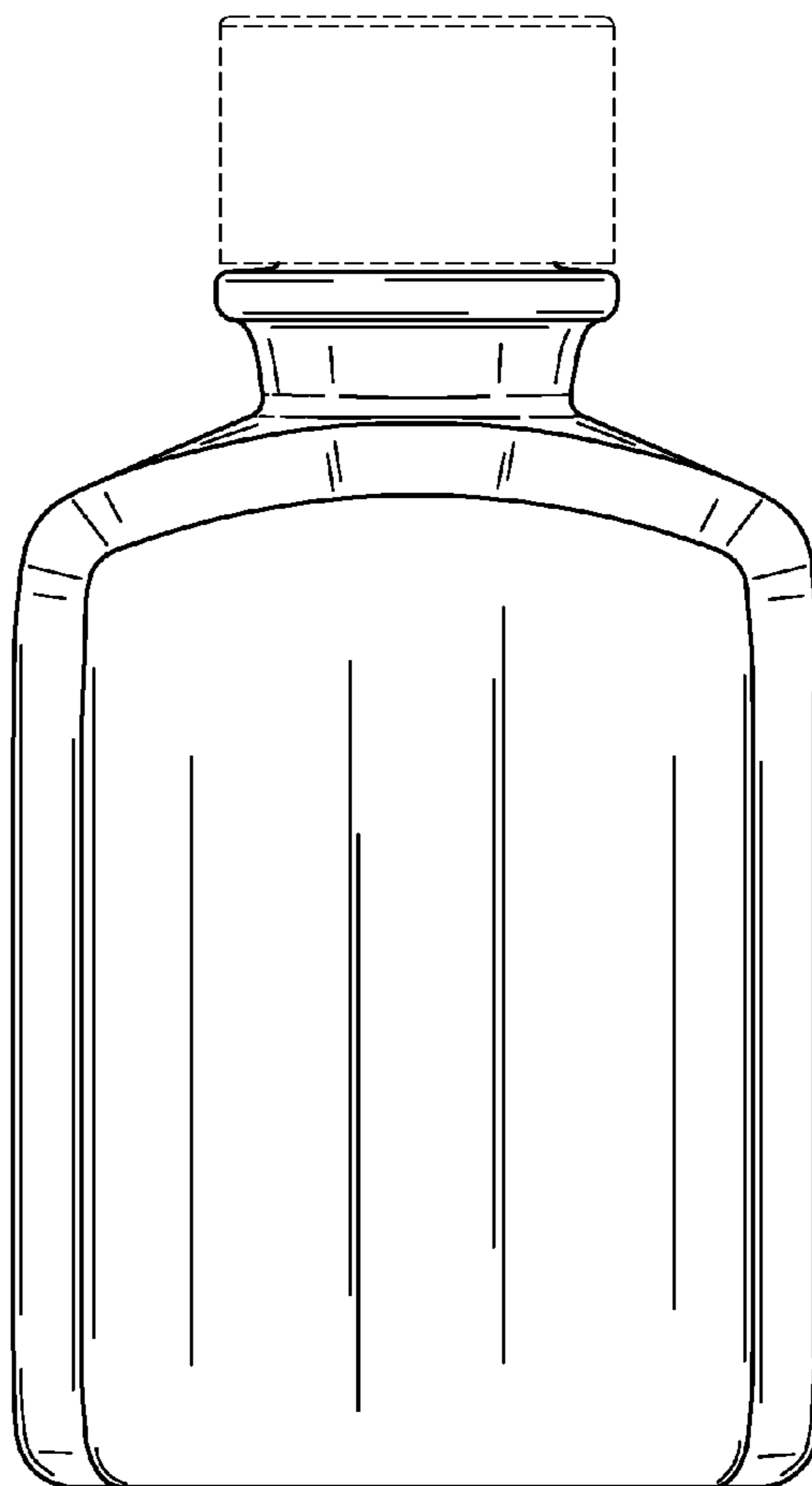
\* cited by examiner



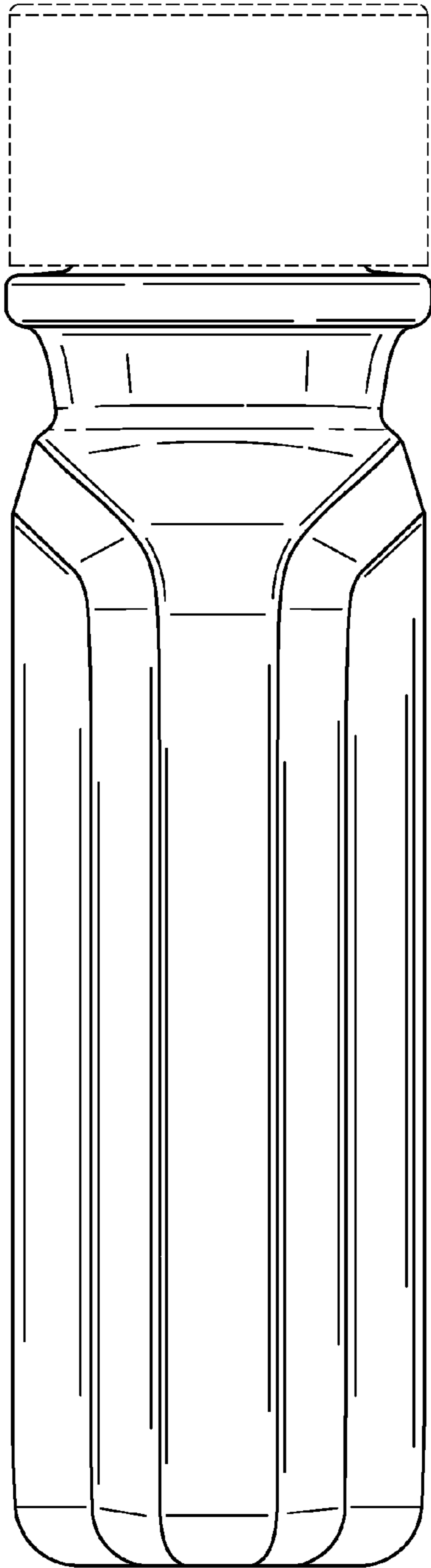
*Fig. 1*



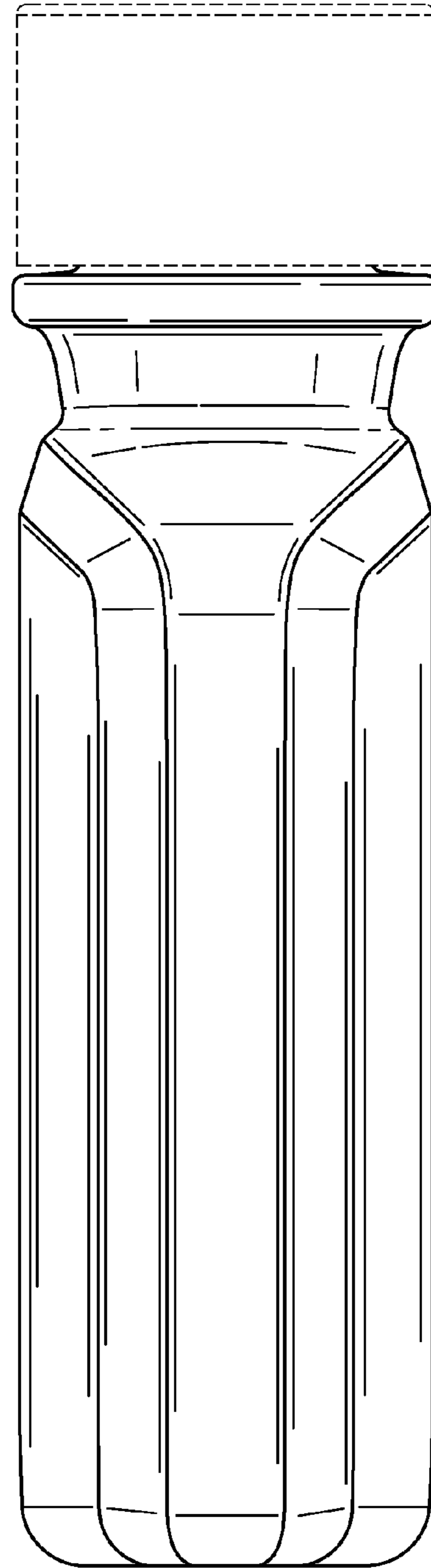
*Fig. 2*



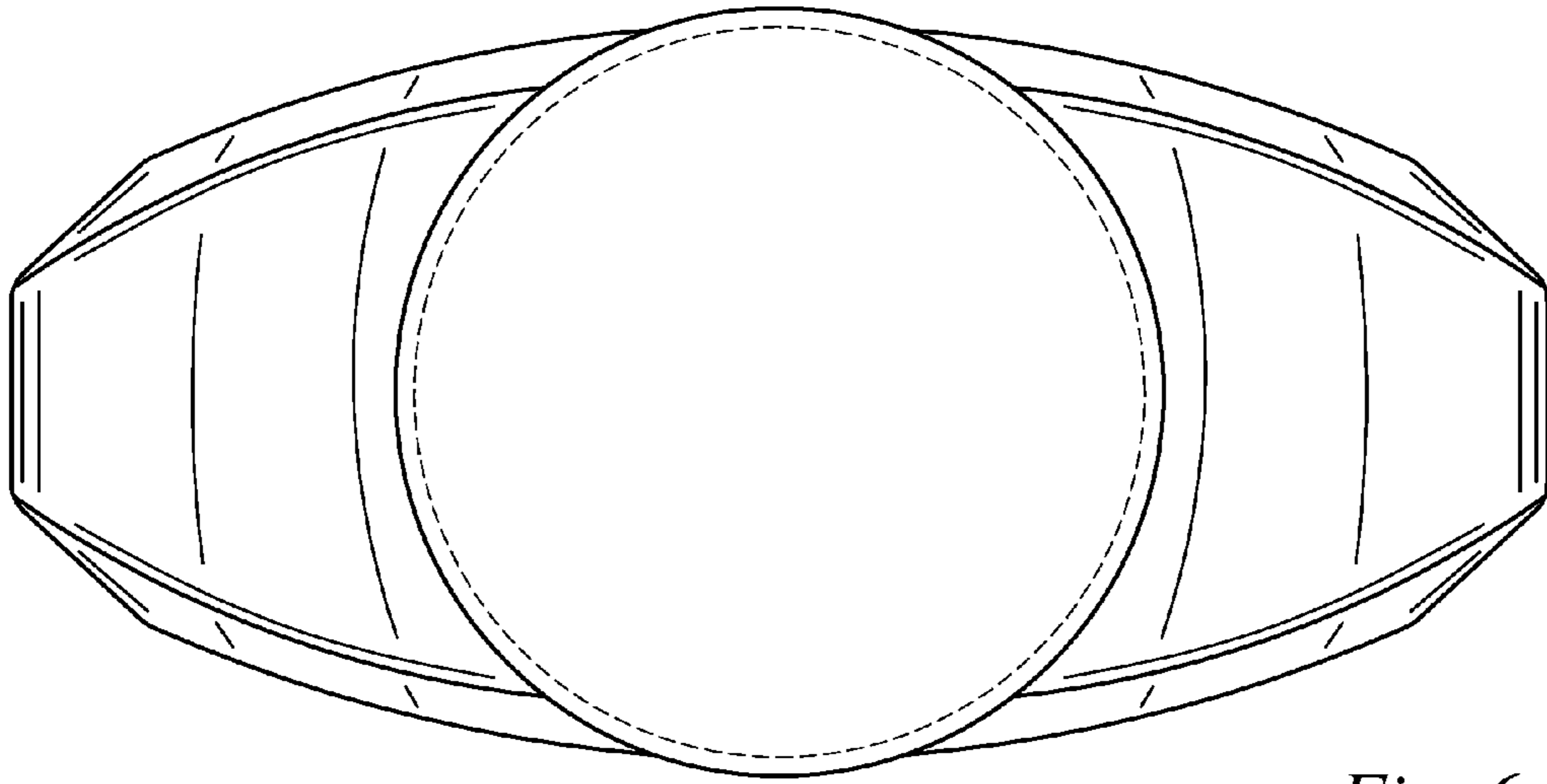
*Fig. 3*



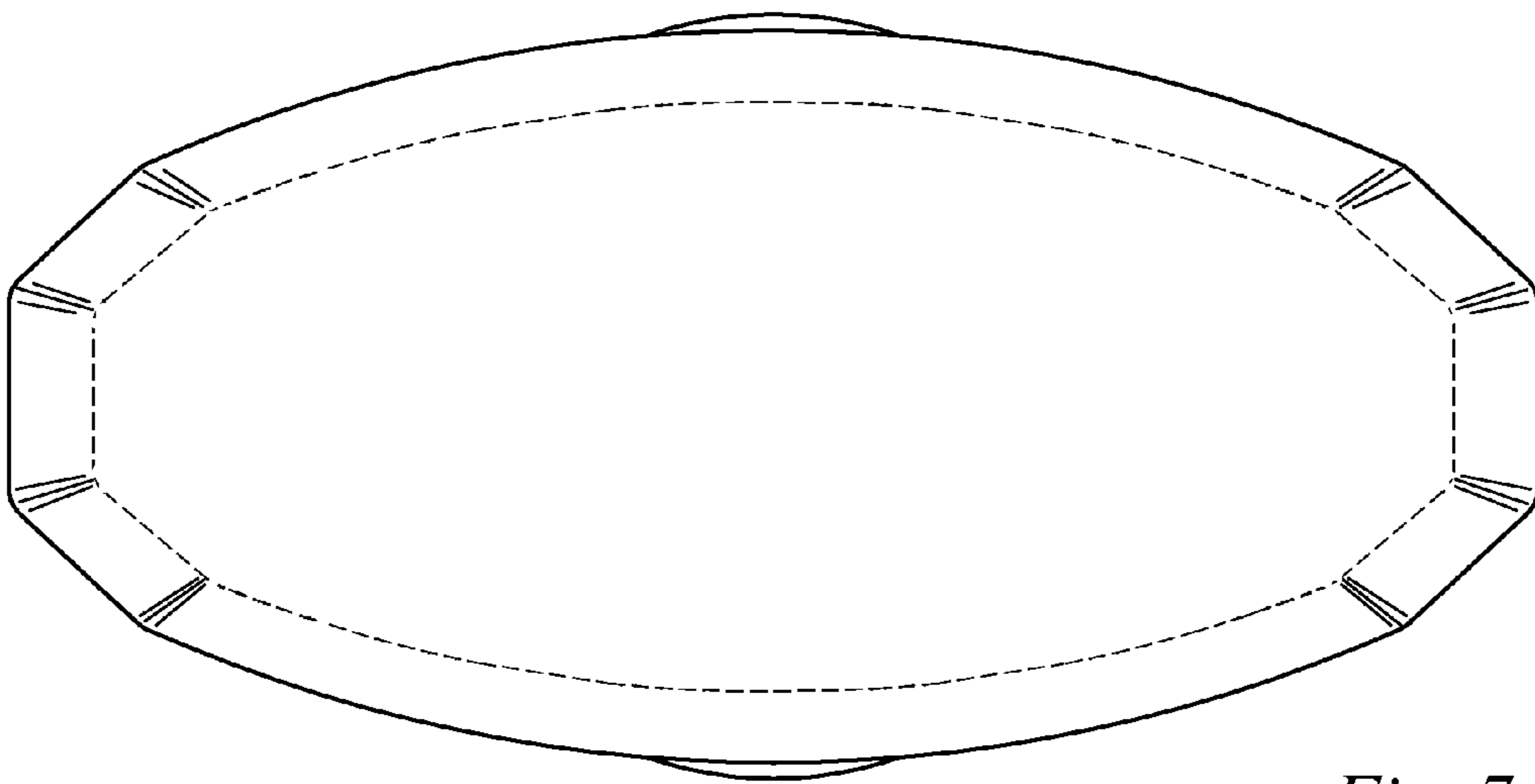
*Fig. 4*



*Fig. 5*



*Fig. 6*



*Fig. 7*