



US00D635463S

(12) **United States Design Patent**  
**Passi**

(10) **Patent No.:** **US D635,463 S**

(45) **Date of Patent:** **\*\* Apr. 5, 2011**

(54) **CONTAINER**

(75) Inventor: **Alessandro Passi**, Rome (IT)

(73) Assignee: **Hipass S.r.l.**, Rome (IT)

(\*\*) Term: **14 Years**

(21) Appl. No.: **29/287,506**

(22) Filed: **Aug. 16, 2007**

(30) **Foreign Application Priority Data**

Feb. 16, 2007 (IT) ..... RM2007O0024

(51) **LOC (9) Cl.** ..... **09-01**

(52) **U.S. Cl.** ..... **D9/549; D9/435**

(58) **Field of Classification Search** ..... D9/434,  
D9/435, 444, 445, 449, 450, 454, 500, 502,  
D9/503, 516, 529, 543, 549, 552, 575, 672-674,  
D9/679, 680, 682, 686, 690, 692; D28/4,  
D28/7, 76, 79, 82, 83, 85, 87-89; 215/382-384;  
220/662; D22/199, 107-111; D12/320,  
D12/325; D21/533, 582, 447, 451; 401/126-130,  
401/202; D8/86; D15/29, 139; D32/26  
See application file for complete search history.

(56) **References Cited**

**U.S. PATENT DOCUMENTS**

D59,583 S *	11/1921	Green	.....	D9/777
3,130,877 A *	4/1964	Miller	.....	222/207
D233,315 S *	10/1974	Turner et al.	.....	D9/424
4,124,148 A *	11/1978	Vieler et al.	.....	222/321.8
D258,158 S *	2/1981	Bunke	.....	D21/444
D271,215 S *	11/1983	Hinkle	.....	D19/66
D279,394 S *	6/1985	Coleman	.....	D21/451
D333,014 S *	2/1993	Lang	.....	D28/76
D335,902 S *	5/1993	Tsai	.....	D21/451
D373,730 S *	9/1996	Baron	.....	D9/504
D375,390 S *	11/1996	Pinkowski	.....	D32/26
D381,140 S *	7/1997	Pinkowski et al.	.....	D32/26
D392,565 S *	3/1998	Blackburn	.....	D9/500
D424,115 S *	5/2000	Kuboshima	.....	D19/66
D462,615 S *	9/2002	Weil	.....	D9/504

D463,262 S *	9/2002	Gobe	.....	D9/689
D463,735 S *	10/2002	Gobe	.....	D9/689
D463,973 S *	10/2002	Gobe	.....	D9/689
D464,265 S *	10/2002	Elliot et al.	.....	D9/504
D474,406 S *	5/2003	Kaposi	.....	D9/505
D474,567 S *	5/2003	Clark et al.	.....	D32/26
D474,568 S *	5/2003	Clark et al.	.....	D32/26
D480,272 S *	10/2003	Yang	.....	D7/598
D481,949 S *	11/2003	Pinnavaia	.....	D9/500
D483,264 S *	12/2003	Canepa	.....	D9/500
D485,642 S *	1/2004	Walz	.....	D28/7
D522,369 S *	6/2006	Penn	.....	D9/520
D529,813 S *	10/2006	Modjeski	.....	D9/546
D530,213 S *	10/2006	Modjeski	.....	D9/546
D541,167 S *	4/2007	Matsumura et al.	.....	D9/558

(Continued)

*Primary Examiner* — Stella M Reid

*Assistant Examiner* — Keli L Hill

(74) *Attorney, Agent, or Firm* — Young & Thompson

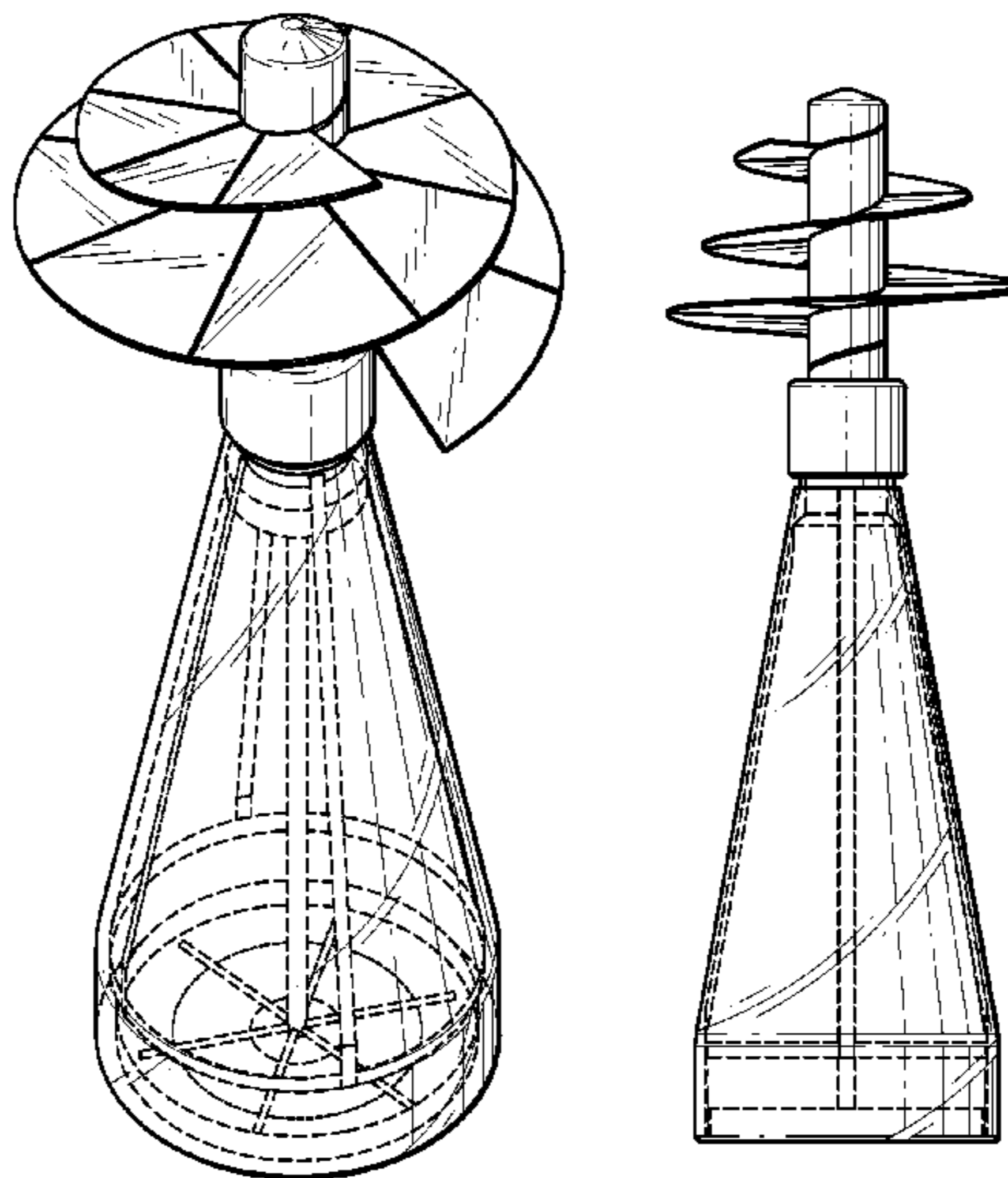
(57) **CLAIM**

The ornamental design for a container, as shown.

**DESCRIPTION**

FIG. 1 is a top and side perspective view of a first embodiment of a container showing my new design;  
FIG. 2 is a top plan view thereof;  
FIG. 3 is a side elevational view thereof;  
FIG. 4 is an opposite side elevational view thereof;  
FIG. 5 is a top and side perspective view thereof, shown with an alternate internal environment;  
FIG. 6 is a top plan view thereof;  
FIG. 7 is a side elevational view thereof;  
FIG. 8 is an opposite side elevational view thereof;  
FIG. 9 is a top and side perspective view of a second embodiment of a container, showing my new design;  
FIG. 10 is a top plan view thereof;  
FIG. 11 is a side elevational view thereof; and,  
FIG. 12 is an opposite side elevational view thereof.  
The material shown in broken lines forms no part of the claimed design.

**1 Claim, 6 Drawing Sheets**



# US D635,463 S

Page 2

---

## U.S. PATENT DOCUMENTS

D542,135 S *	5/2007	Machmadow .....	D9/503	D581,006 S *	11/2008	Smith et al. ....	D22/107
D544,892 S *	6/2007	Watson et al. ....	D15/139	D593,141 S *	5/2009	Gaudron .....	D15/139
D562,137 S *	2/2008	Florio .....	D9/502	D593,850 S *	6/2009	Kullman .....	D8/387
D567,448 S *	4/2008	Mascotte et al. ....	D28/90	D614,032 S *	4/2010	Handy .....	D9/503
D569,264 S *	5/2008	Yamanaka et al. ....	D9/691	D615,404 S *	5/2010	Pitzer et al. ....	D9/500

\* cited by examiner

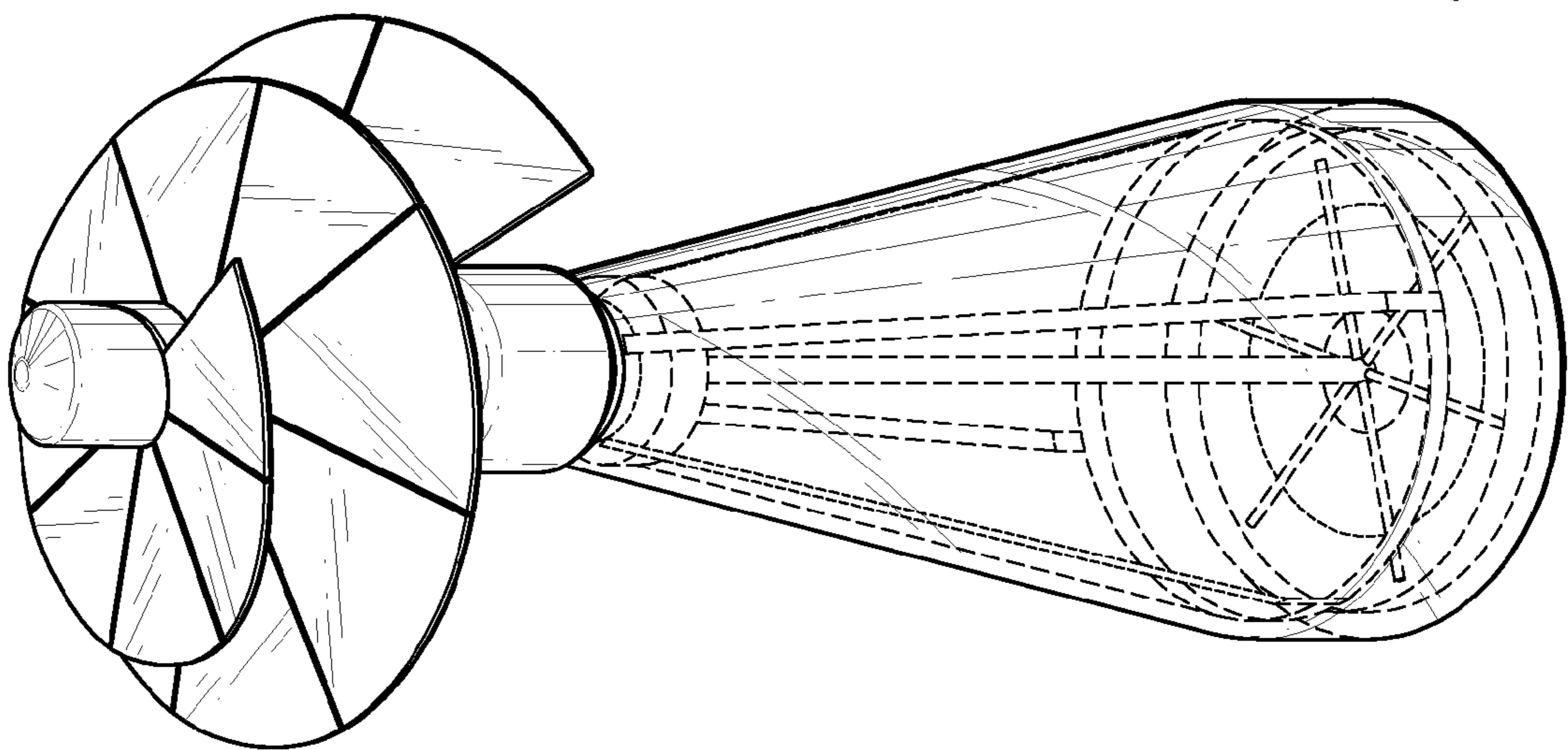


FIG. 1

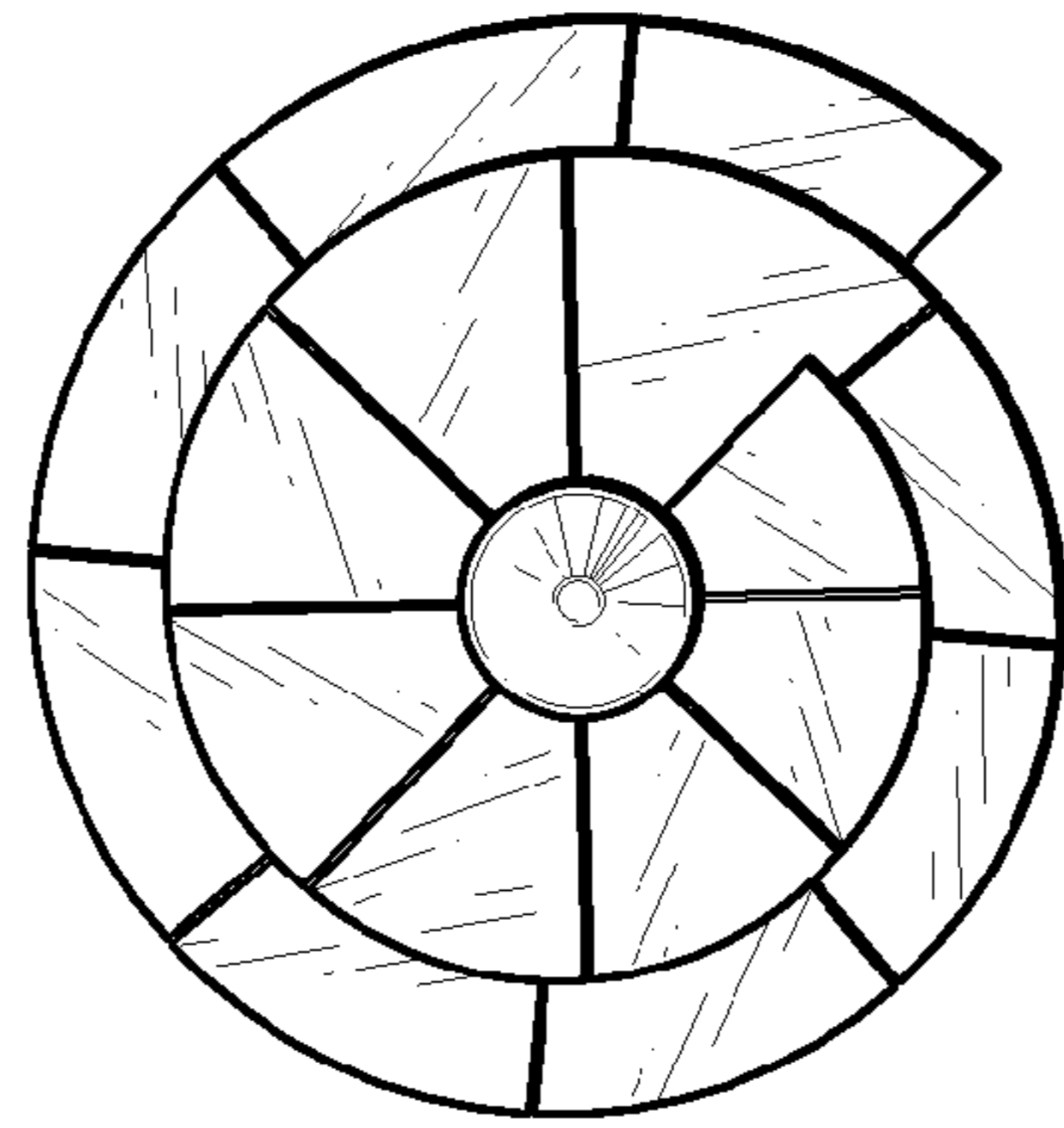


FIG. 2

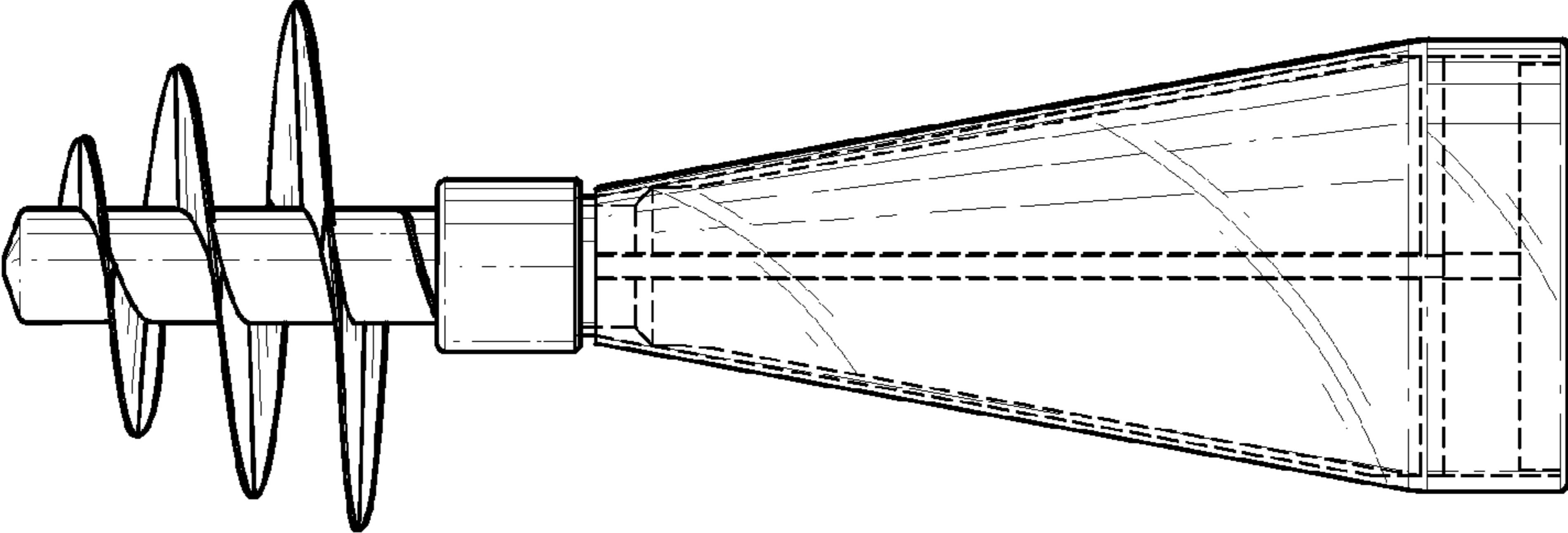


FIG. 4

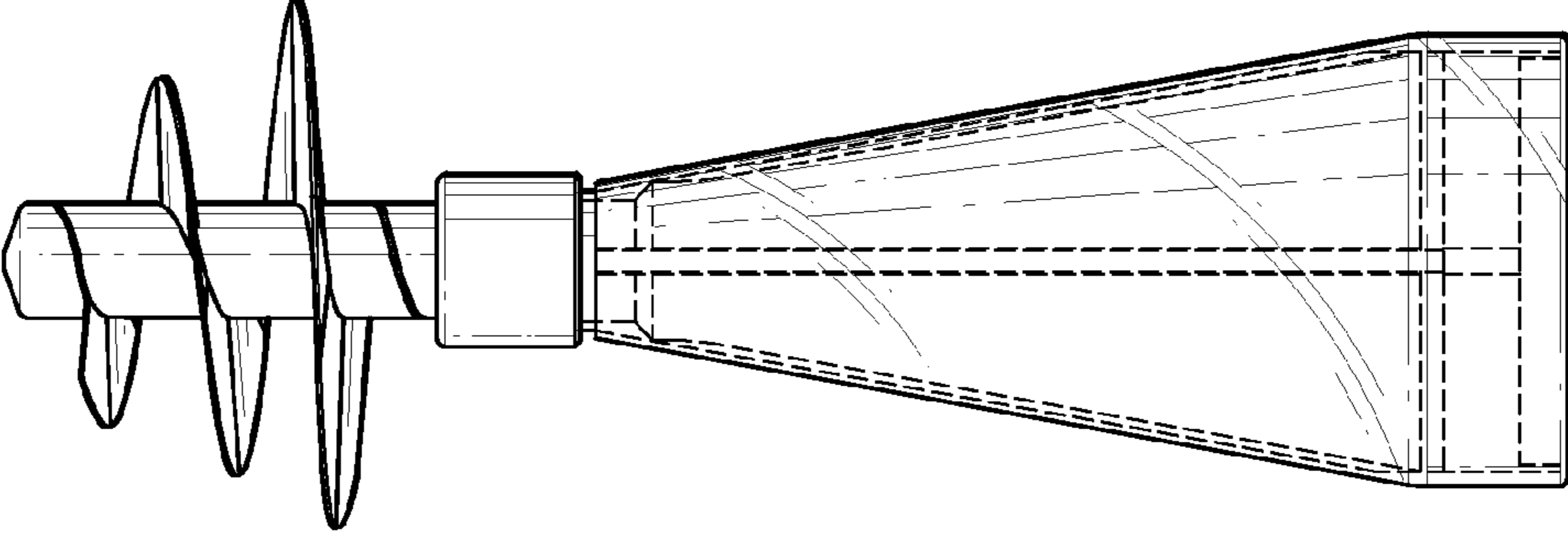


FIG. 3

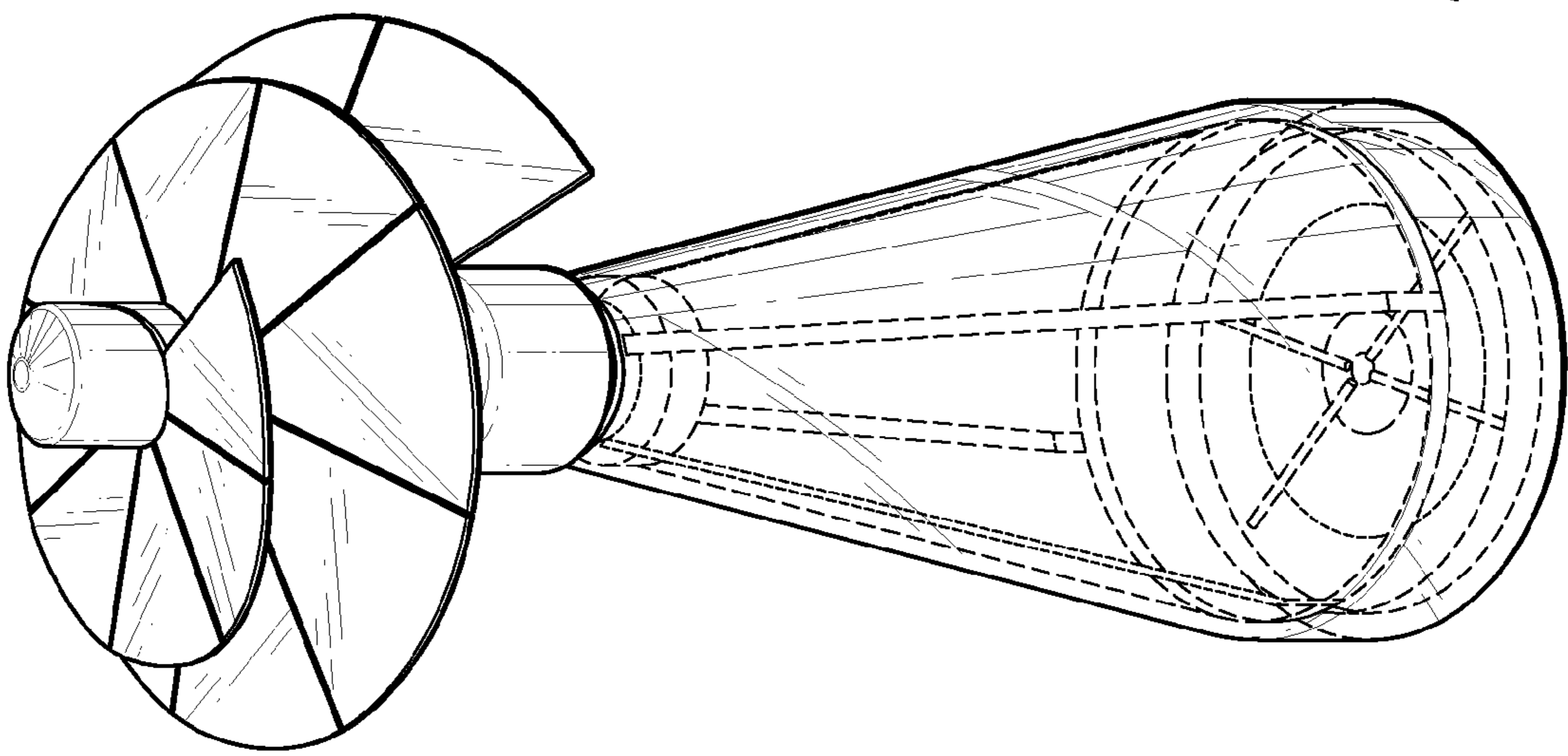


FIG. 5

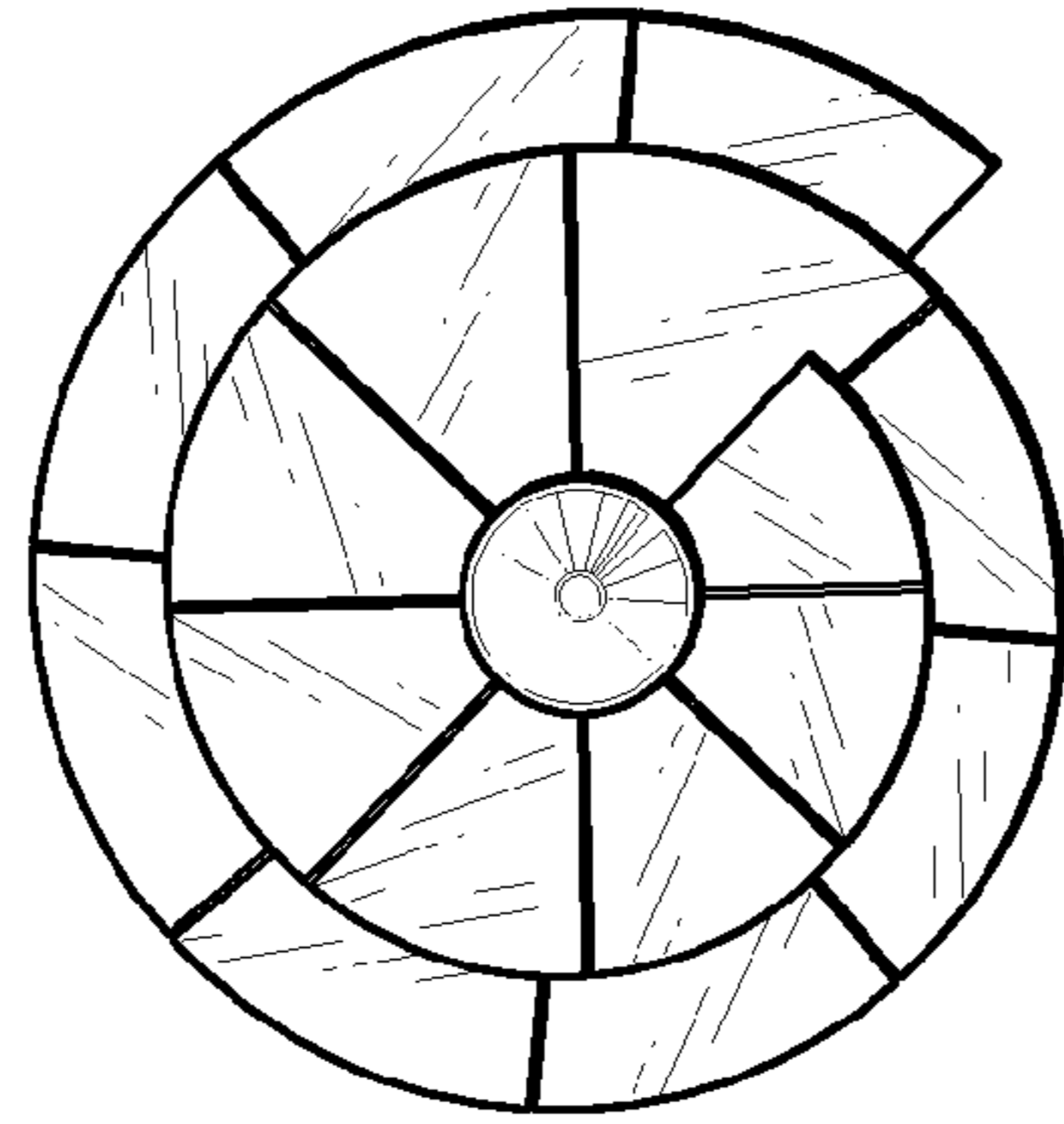


FIG. 6

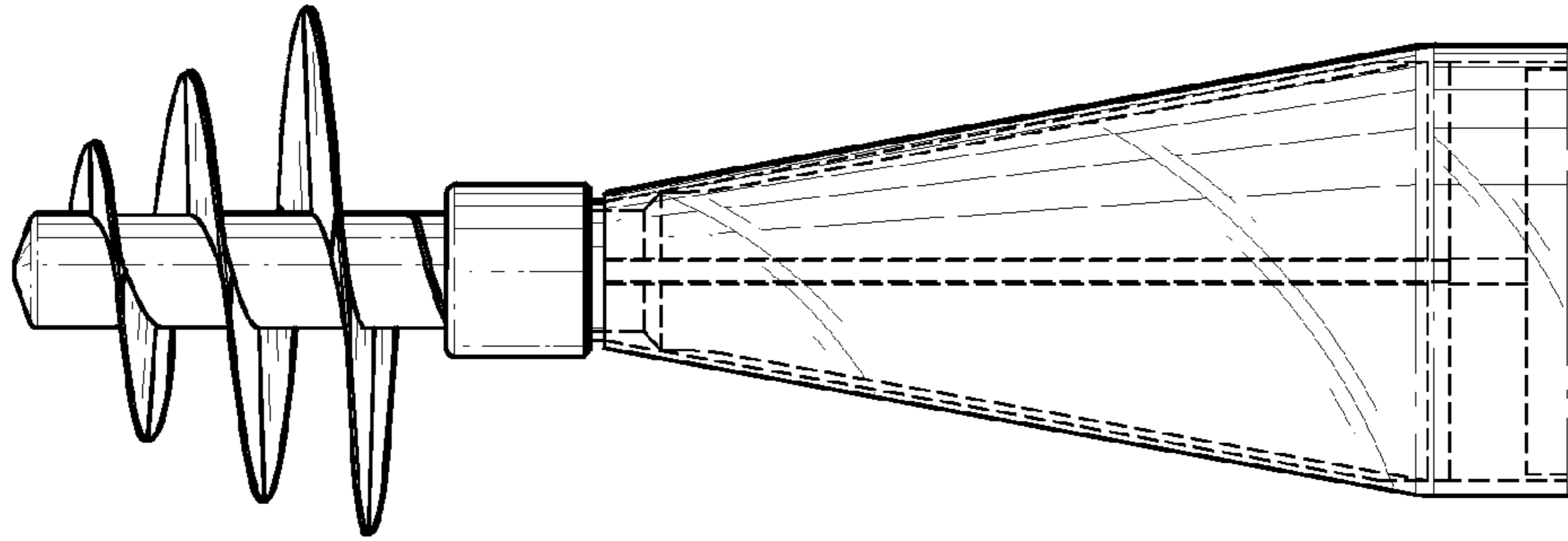


FIG. 7

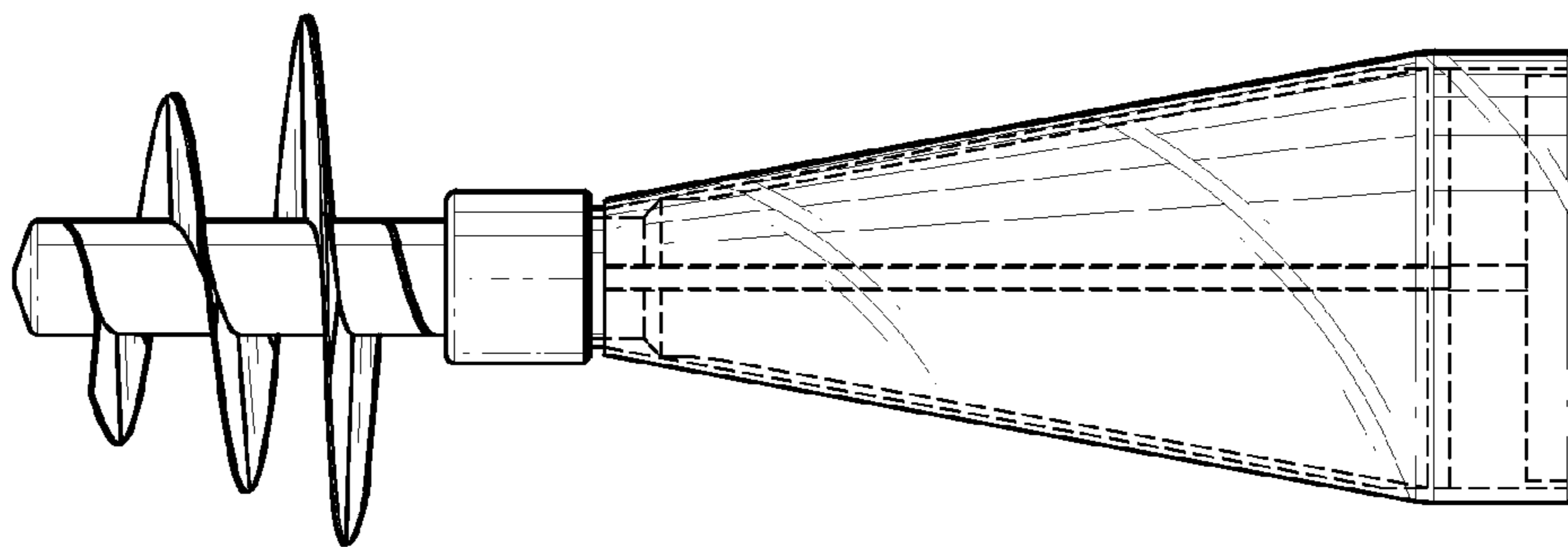
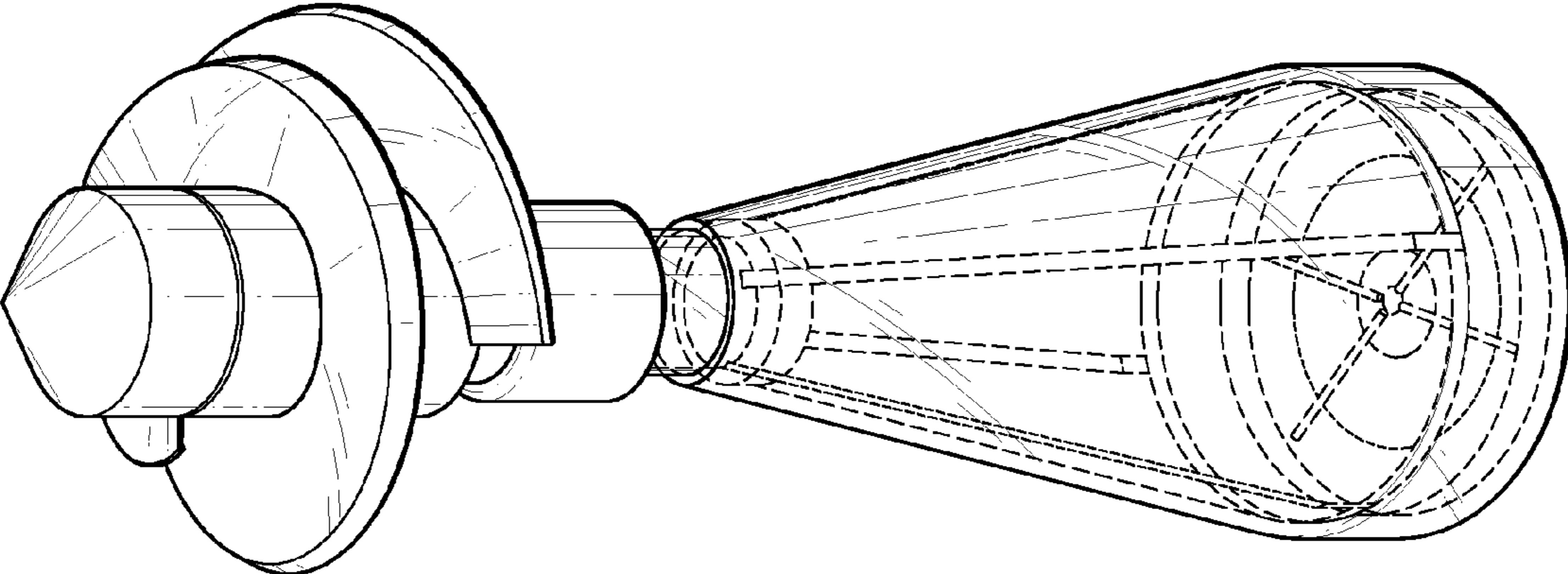
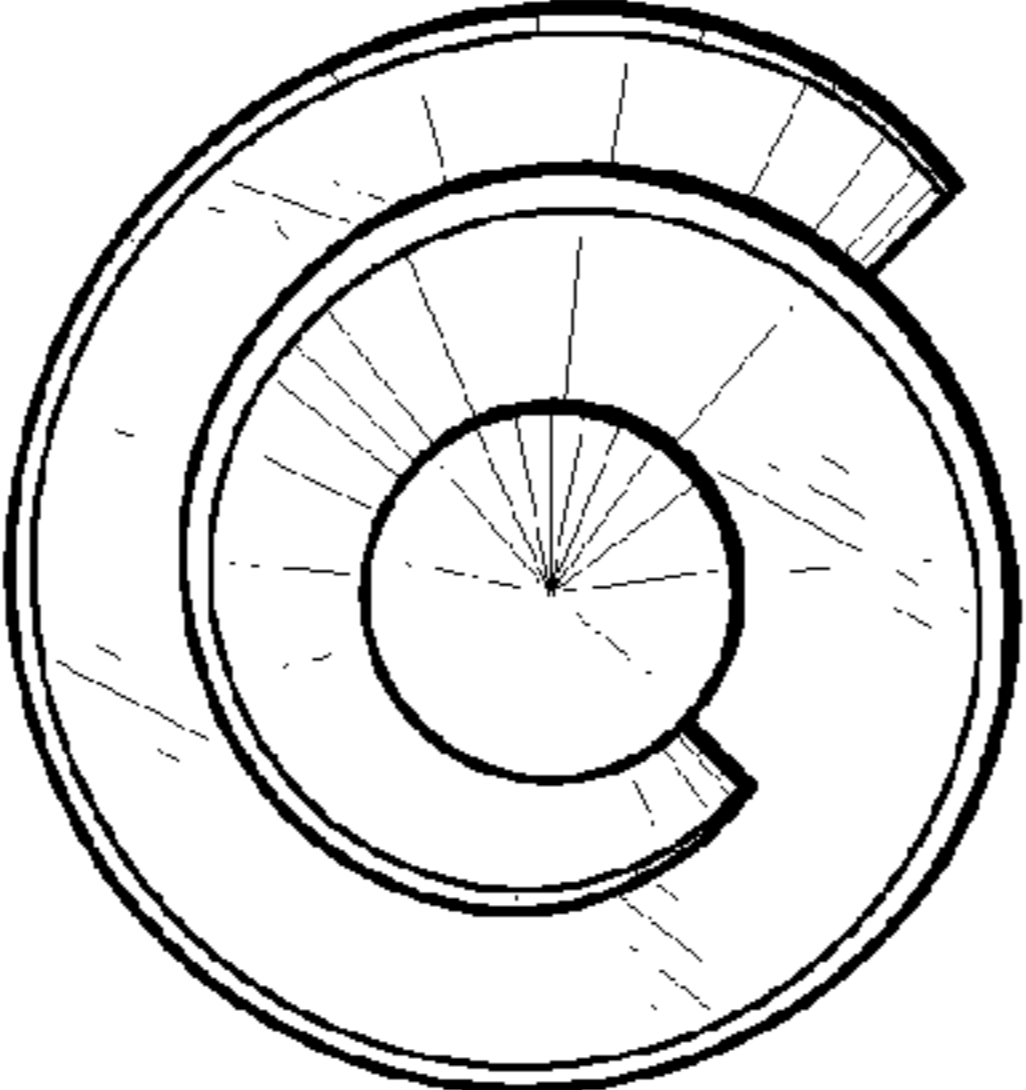


FIG. 8



*FIG. 9*



*FIG. 10*

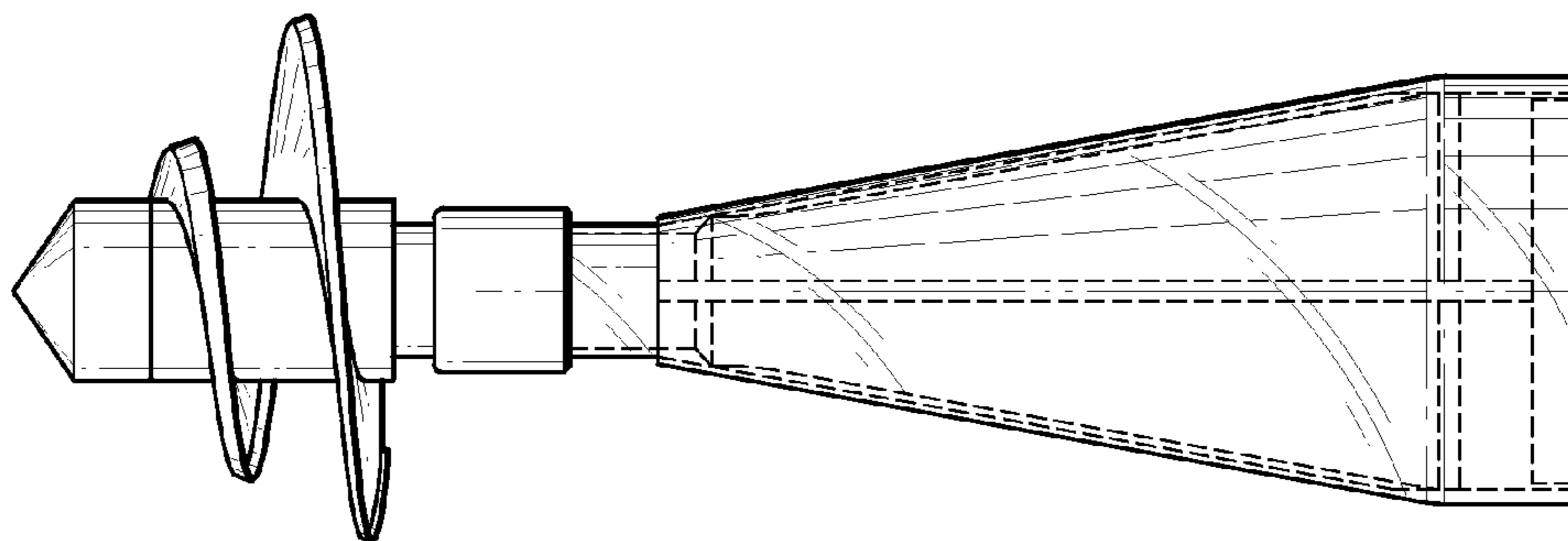


FIG. 11

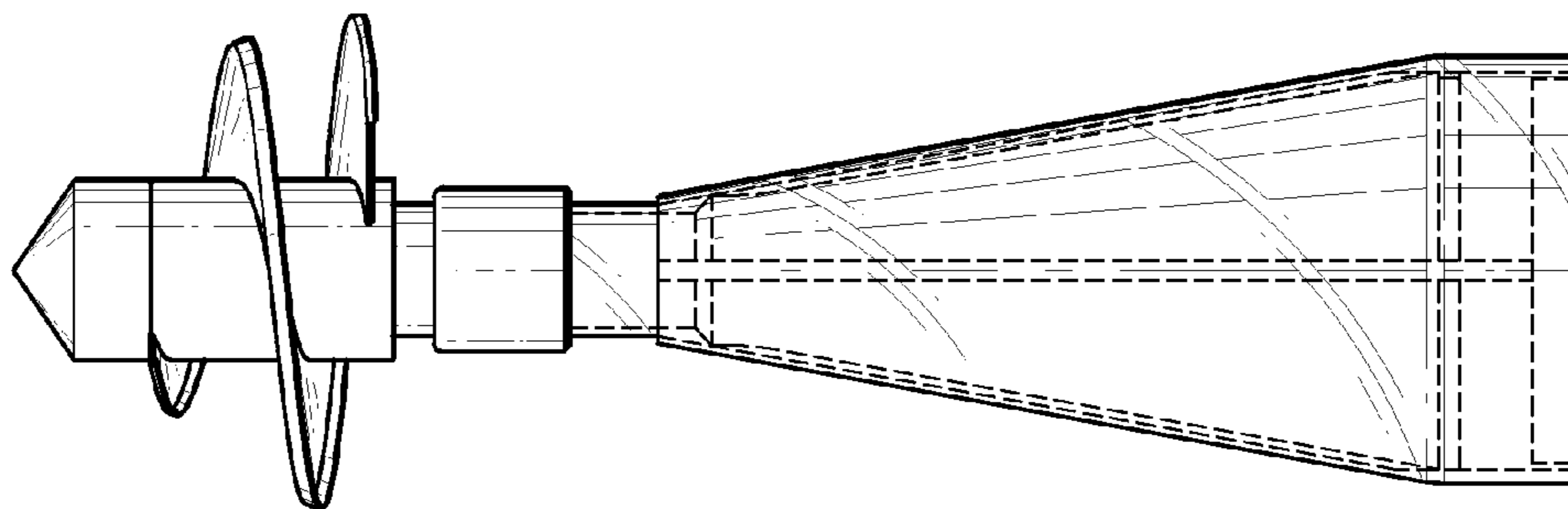


FIG. 12