



US00D635460S

(12) **United States Design Patent**
Dorn et al.

(10) **Patent No.:** **US D635,460 S**

(45) **Date of Patent:** **** Apr. 5, 2011**

(54) **CONTAINER BODY PORTION**

(75) Inventors: **James C. Dorn**, Sterling, OH (US);
Michael Klucharich, South Lyon, MI (US)

(73) Assignee: **Plastipak Packaging, Inc.**, Plymouth, MI (US)

(**) Term: **14 Years**

(21) Appl. No.: **29/360,887**

(22) Filed: **May 3, 2010**

(51) **LOC (9) Cl.** **09-01**

(52) **U.S. Cl.** **D9/522; D9/541; D9/564; D9/569;**
D9/570; D9/571

(58) **Field of Classification Search** D9/516,
D9/520, 522, 530, 531, 536, 541, 542, 563,
D9/564, 565, 566, 569, 570, 571, 574; 215/379,
215/381-385; 220/600, 604, 608, 609, 610,
220/660, 669, 670, 674, 675

See application file for complete search history.

(56) **References Cited**

U.S. PATENT DOCUMENTS

| | | | | |
|---------------|---------|------------------|-------|---------|
| D104,655 S * | 5/1937 | Englehardt | | D9/564 |
| D241,516 S * | 9/1976 | Harris | | D9/531 |
| D244,427 S * | 5/1977 | Schieser et al. | | D9/550 |
| D261,106 S * | 10/1981 | Winchell et al. | | D9/542 |
| D299,697 S * | 2/1989 | Frahm et al. | | D9/546 |
| D307,389 S * | 4/1990 | Larson | | D9/520 |
| D311,329 S * | 10/1990 | Frahm et al. | | D9/560 |
| D311,862 S * | 11/1990 | Cullis | | D7/300 |
| D313,177 S * | 12/1990 | Larson | | D9/520 |
| D347,391 S * | 5/1994 | Guertin | | D9/566 |
| D360,830 S * | 8/1995 | Hestehave et al. | | D9/520 |
| D400,794 S * | 11/1998 | Takeuchi et al. | | D9/532 |
| 5,833,115 A * | 11/1998 | Eiten | | 220/669 |
| D403,243 S * | 12/1998 | Takeuchi et al. | | D9/532 |
| D479,468 S * | 9/2003 | Dorn et al. | | D9/531 |
| D526,199 S * | 8/2006 | Darr et al. | | D9/520 |
| D527,648 S * | 9/2006 | Darr et al. | | D9/566 |
| D530,212 S * | 10/2006 | Darr et al. | | D9/543 |
| D532,694 S * | 11/2006 | Darr et al. | | D9/520 |

| | | | | |
|----------------|---------|-----------------|-------|---------|
| D557,141 S * | 12/2007 | Pedmo et al. | | D9/541 |
| D580,270 S * | 11/2008 | Futral | | D9/541 |
| D587,126 S * | 2/2009 | DeSico et al. | | D9/541 |
| D592,679 S * | 5/2009 | Matsuoka et al. | | D9/541 |
| 7,552,833 B2 * | 6/2009 | Tsutsui et al. | | 215/381 |
| D597,849 S * | 8/2009 | Aoyagi et al. | | D9/566 |
| D599,212 S * | 9/2009 | DeSico et al. | | D9/565 |
| D599,213 S * | 9/2009 | DeSico et al. | | D9/565 |
| D606,413 S * | 12/2009 | Dammkoehler | | D9/541 |
| D607,337 S * | 1/2010 | Zoppas | | D9/541 |

(Continued)

Primary Examiner — Stella Reid

Assistant Examiner — Elizabeth J Oswecki

(74) *Attorney, Agent, or Firm* — Mario A. Tabone

(57) **CLAIM**

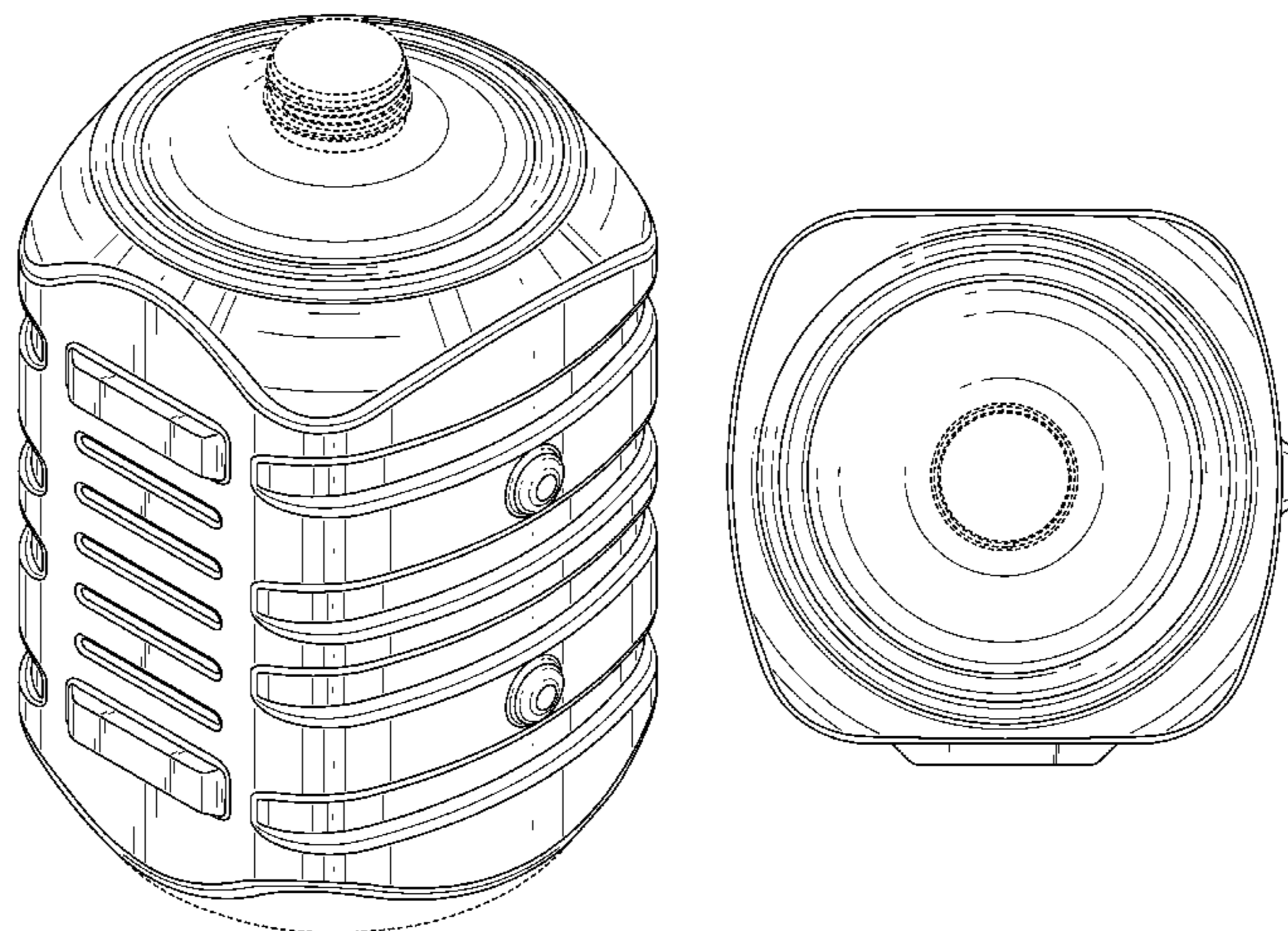
The ornamental design for a container body portion, as shown and described.

DESCRIPTION

FIG. 1 is a top, front, left perspective view of a first embodiment of a container body portion showing our new design; FIG. 2 is a left side elevational view thereof; FIG. 3 is a right side elevational view thereof; FIG. 4 is a rear elevational view thereof; FIG. 5 is a front elevational view thereof; FIG. 6 is a top plan view thereof; FIG. 7 is a bottom plan view thereof; FIG. 8 is a top, front, left perspective view of a second embodiment of a container body portion showing our new design; FIG. 9 is a left side elevational view thereof; FIG. 10 is a right side elevational view thereof; FIG. 11 is a rear elevational view thereof; FIG. 12 is a front elevational view thereof; FIG. 13 is a top plan view thereof; and, FIG. 14 is a bottom plan view thereof.

The dash-dash-dash-dash broken lines shown in the drawing views are for environmental purposes only and form no part of the claimed design.

1 Claim, 14 Drawing Sheets



US D635,460 S

Page 2

| U.S. PATENT DOCUMENTS | | | |
|-----------------------|---------|----------------------|---------|
| D607,338 S * | 1/2010 | Zoppas | D9/541 |
| D618,553 S * | 6/2010 | Zoppas | D9/541 |
| 2003/0010743 A1* | 1/2003 | Boukobza | 215/382 |
| 2003/0155324 A1* | 8/2003 | McCollum et al. | 215/382 |
| 2008/0000867 A1* | 1/2008 | Lane et al. | 215/10 |
| 2009/0321385 A1* | 12/2009 | Oguchi et al. | 215/384 |
| 2010/0155360 A1* | 6/2010 | Mast et al. | 215/383 |

* cited by examiner

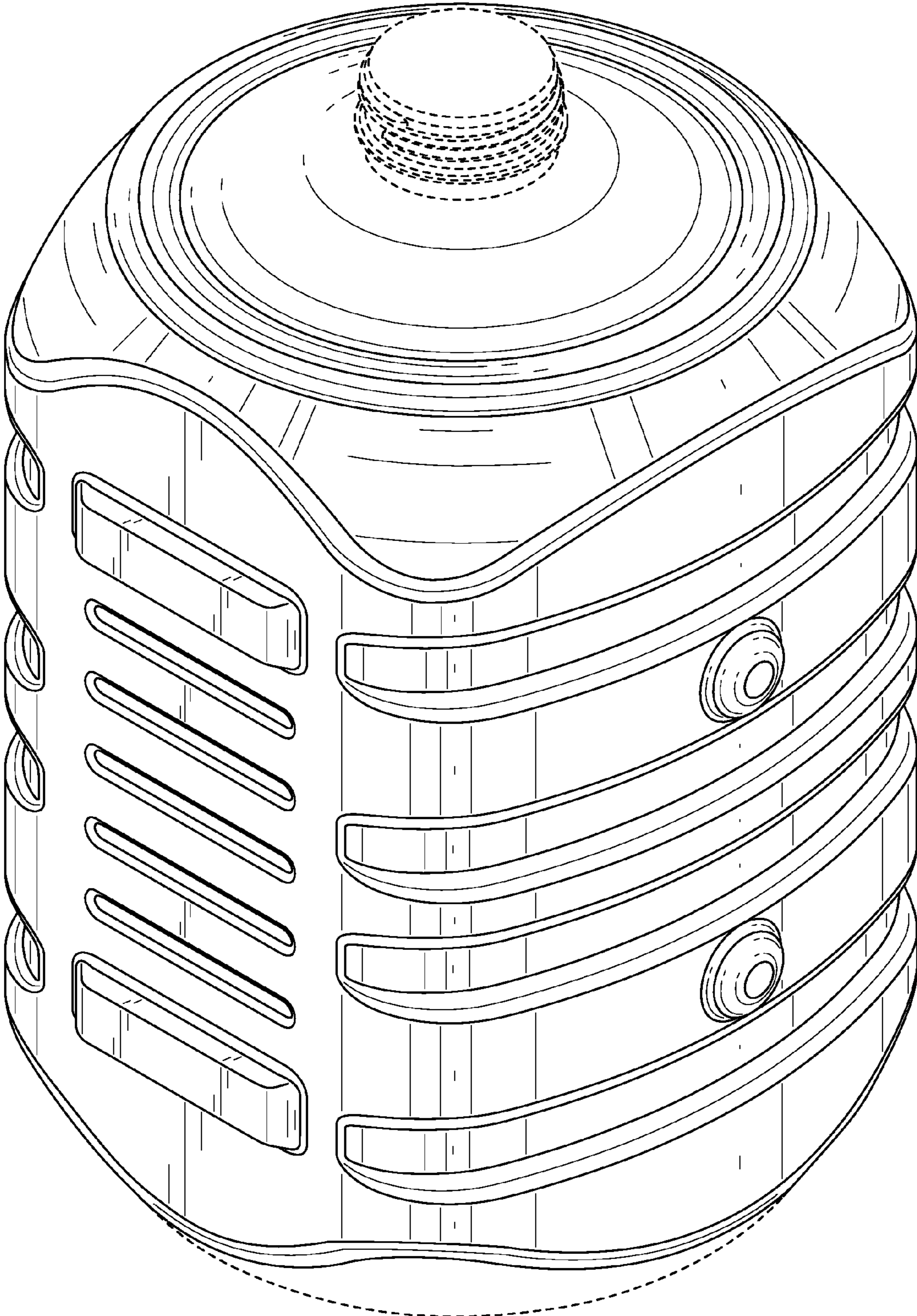


FIG. 1

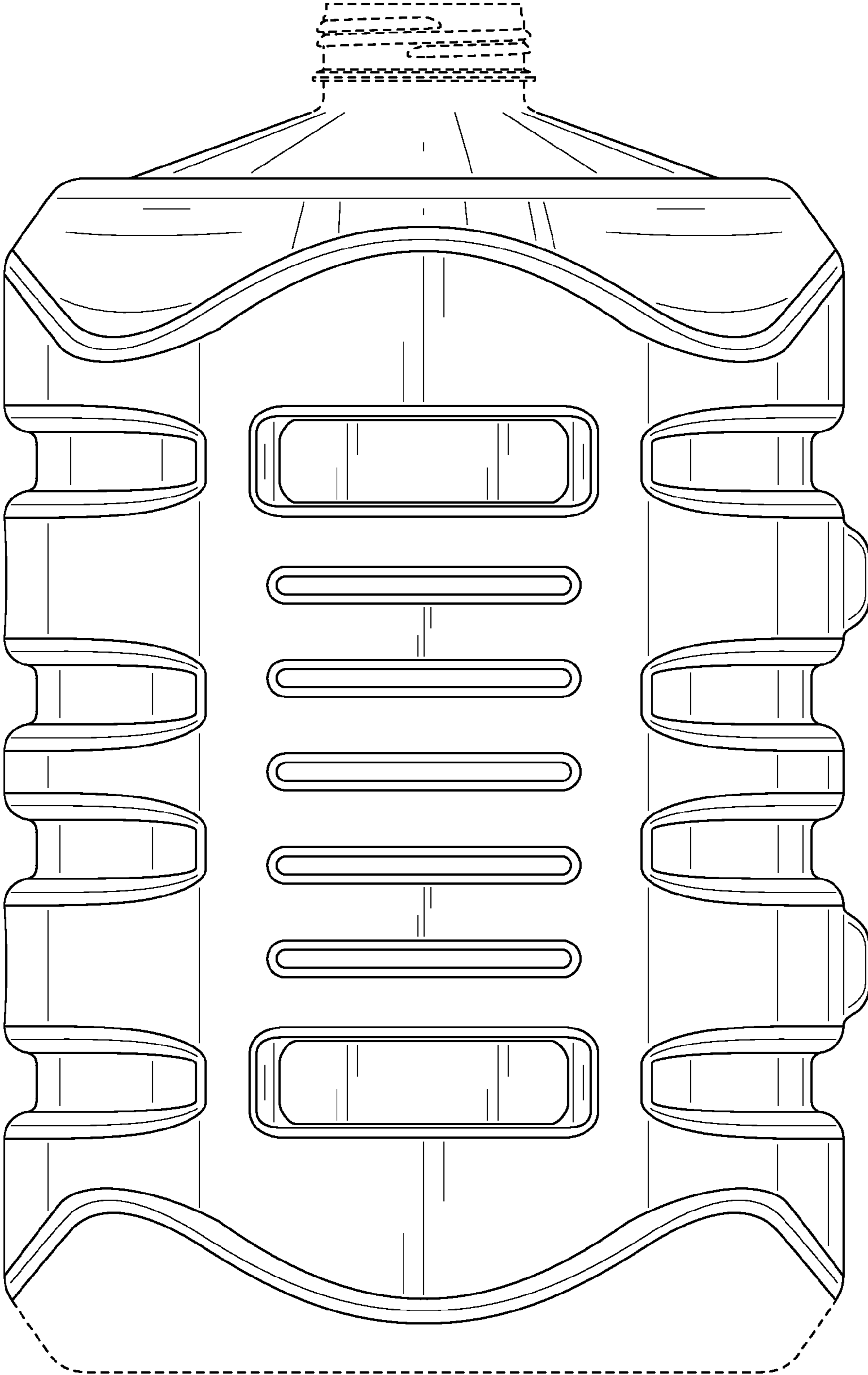


FIG. 2

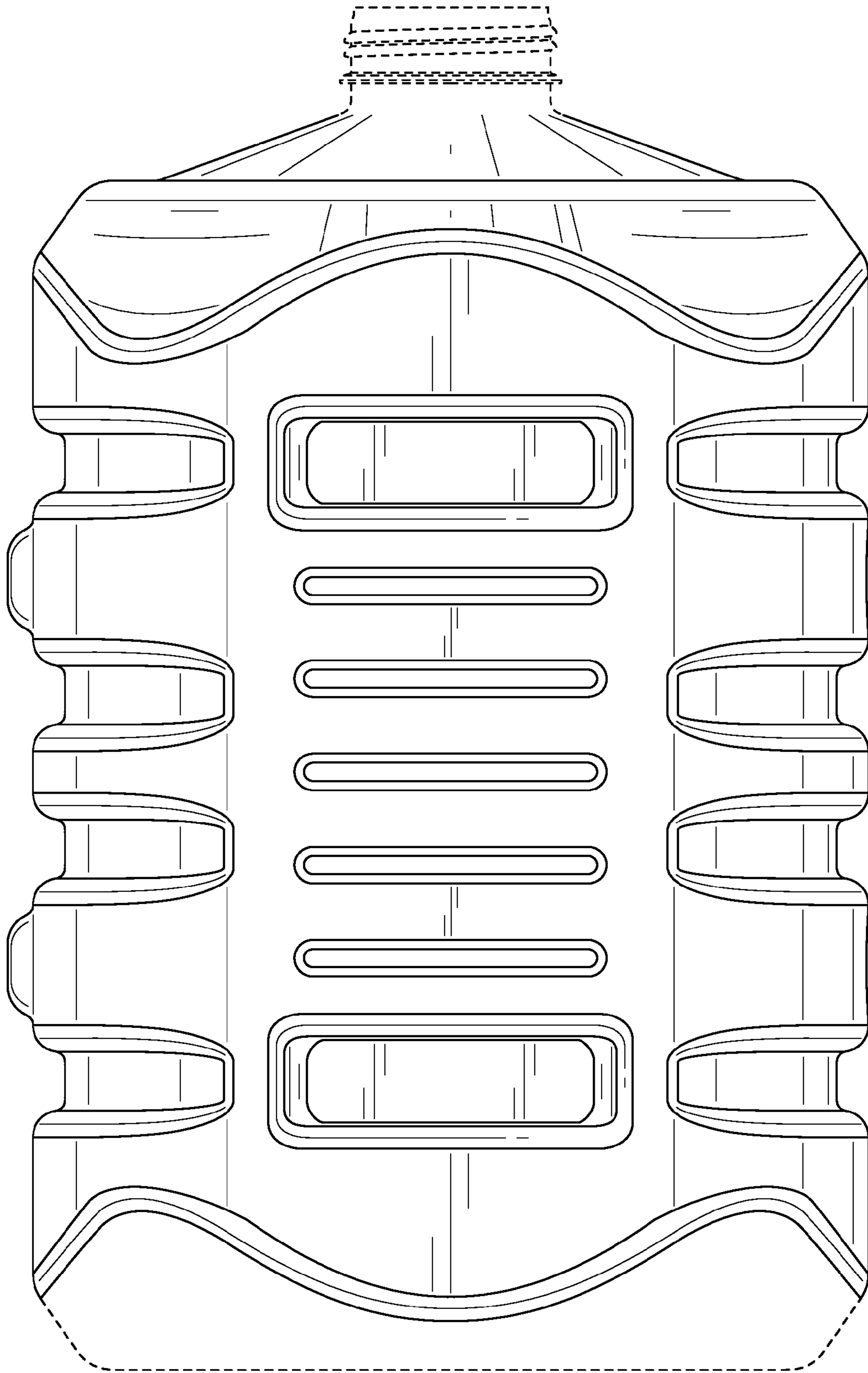


FIG. 3

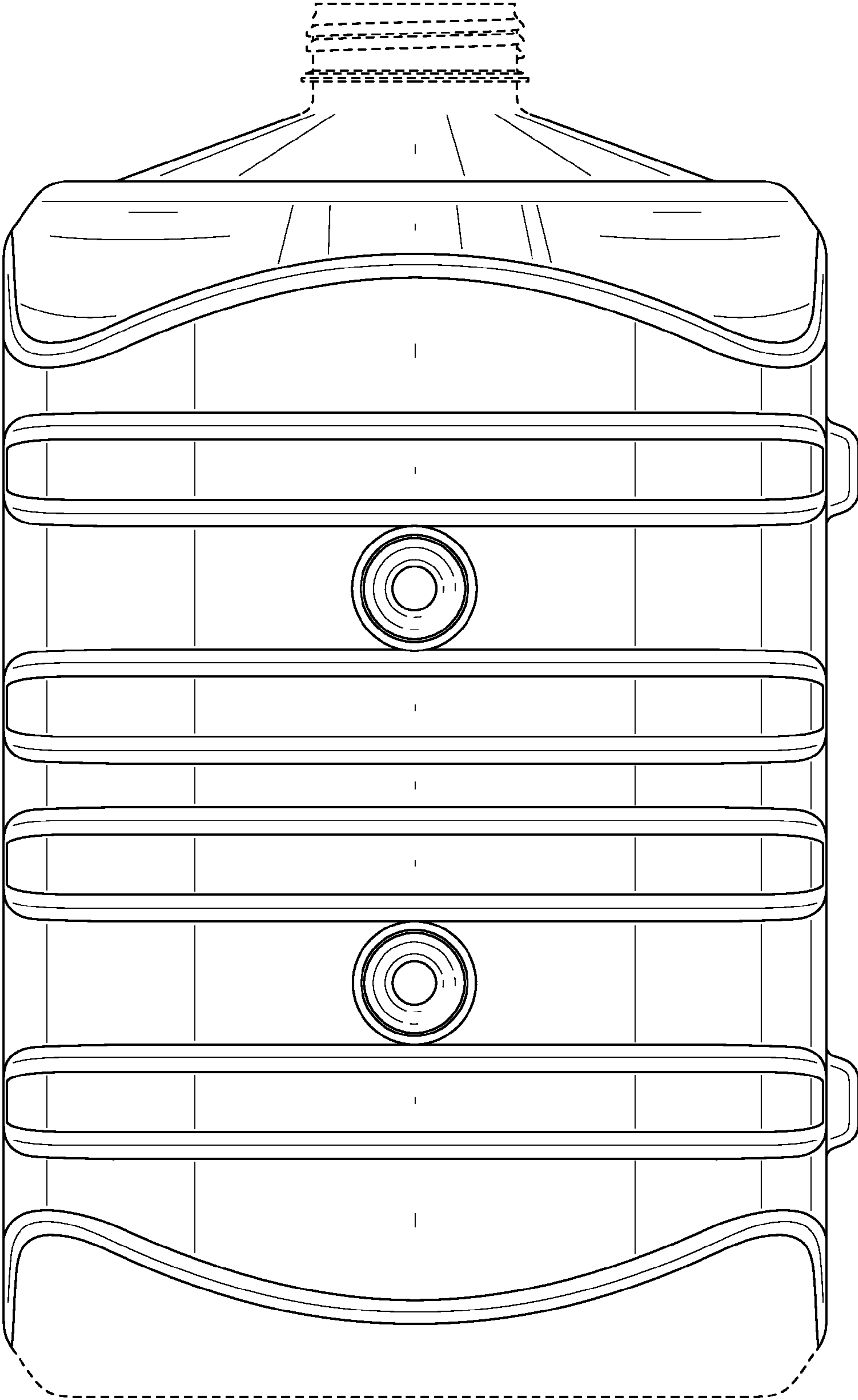


FIG. 4

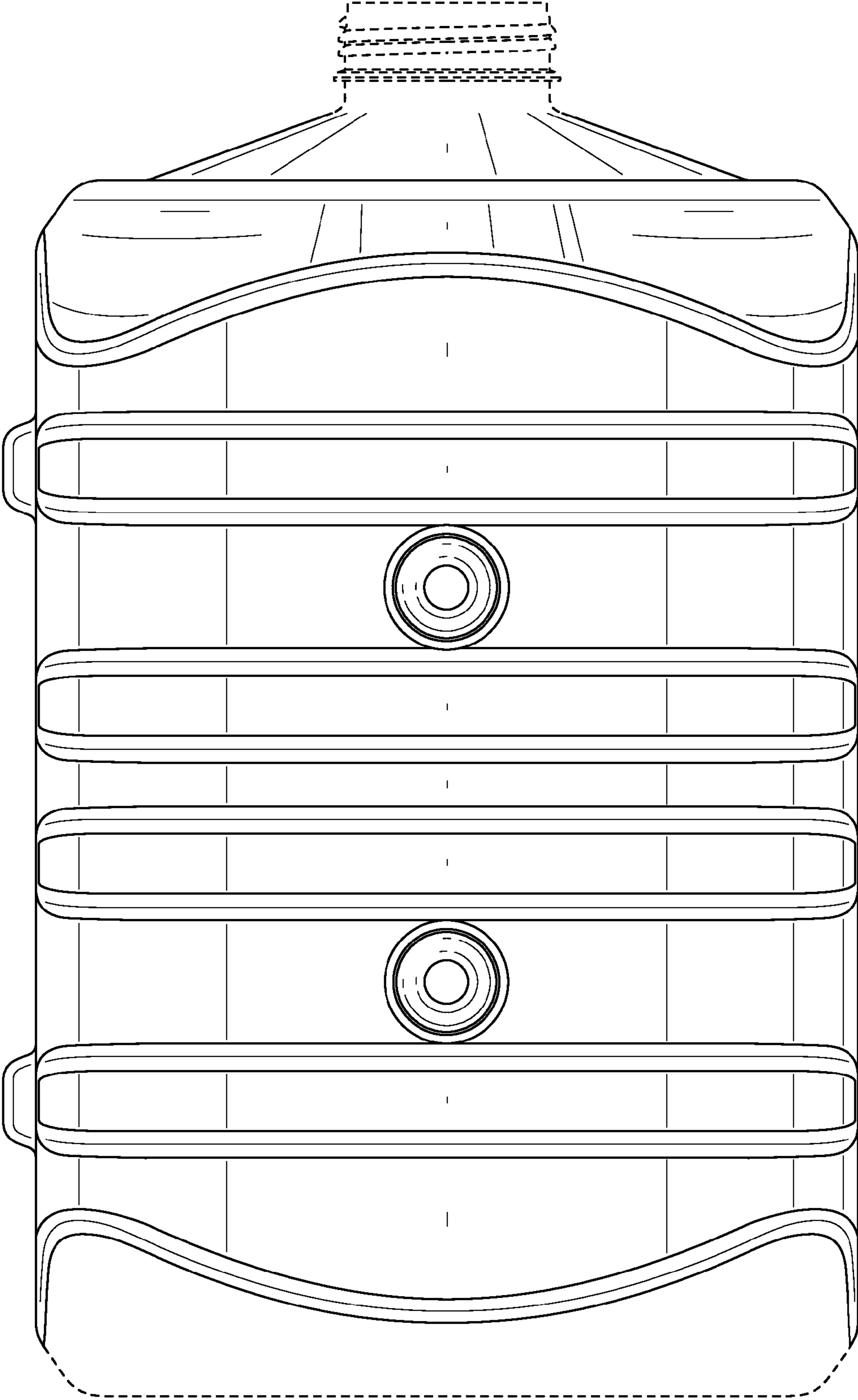


FIG. 5

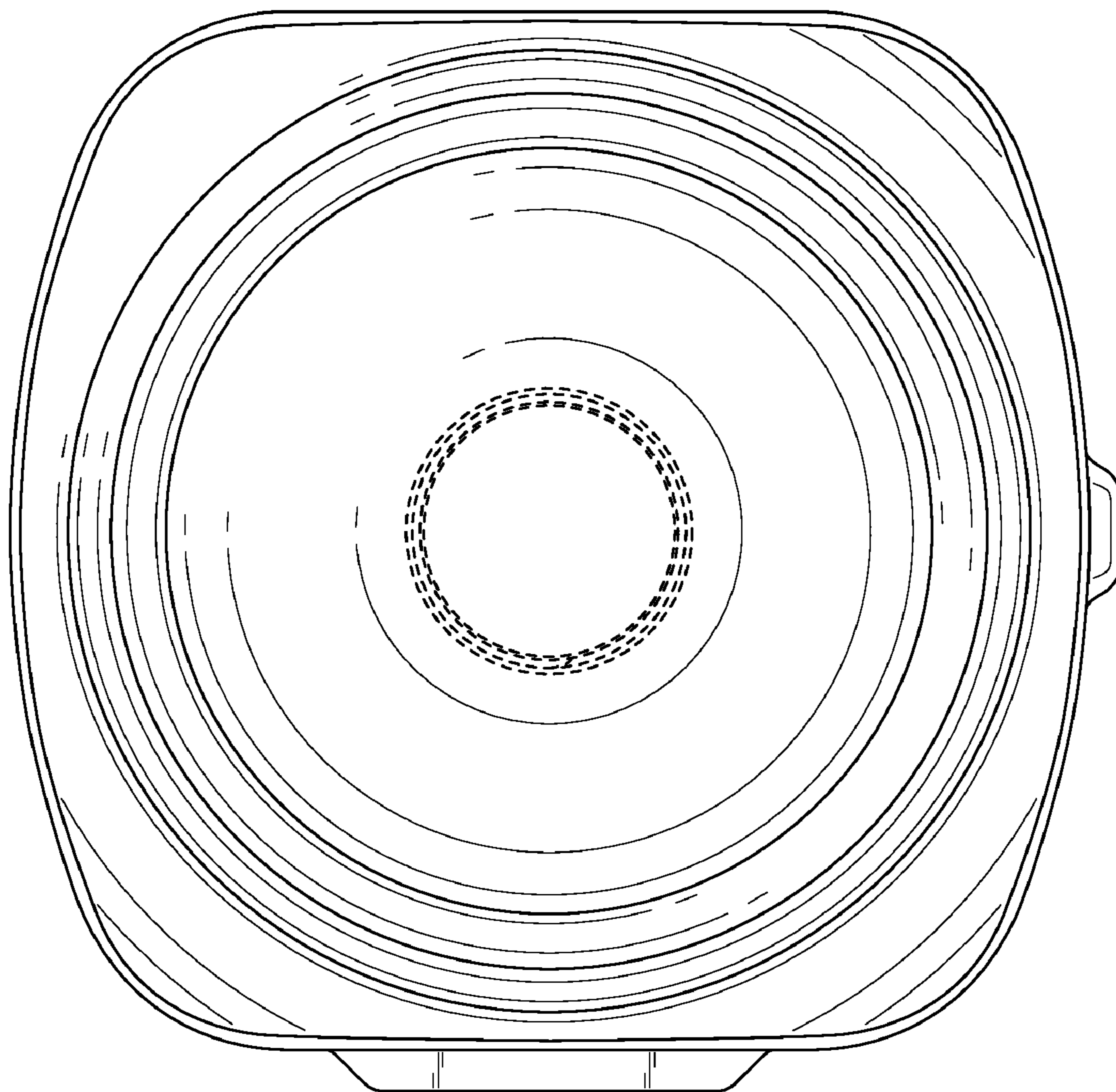


FIG. 6

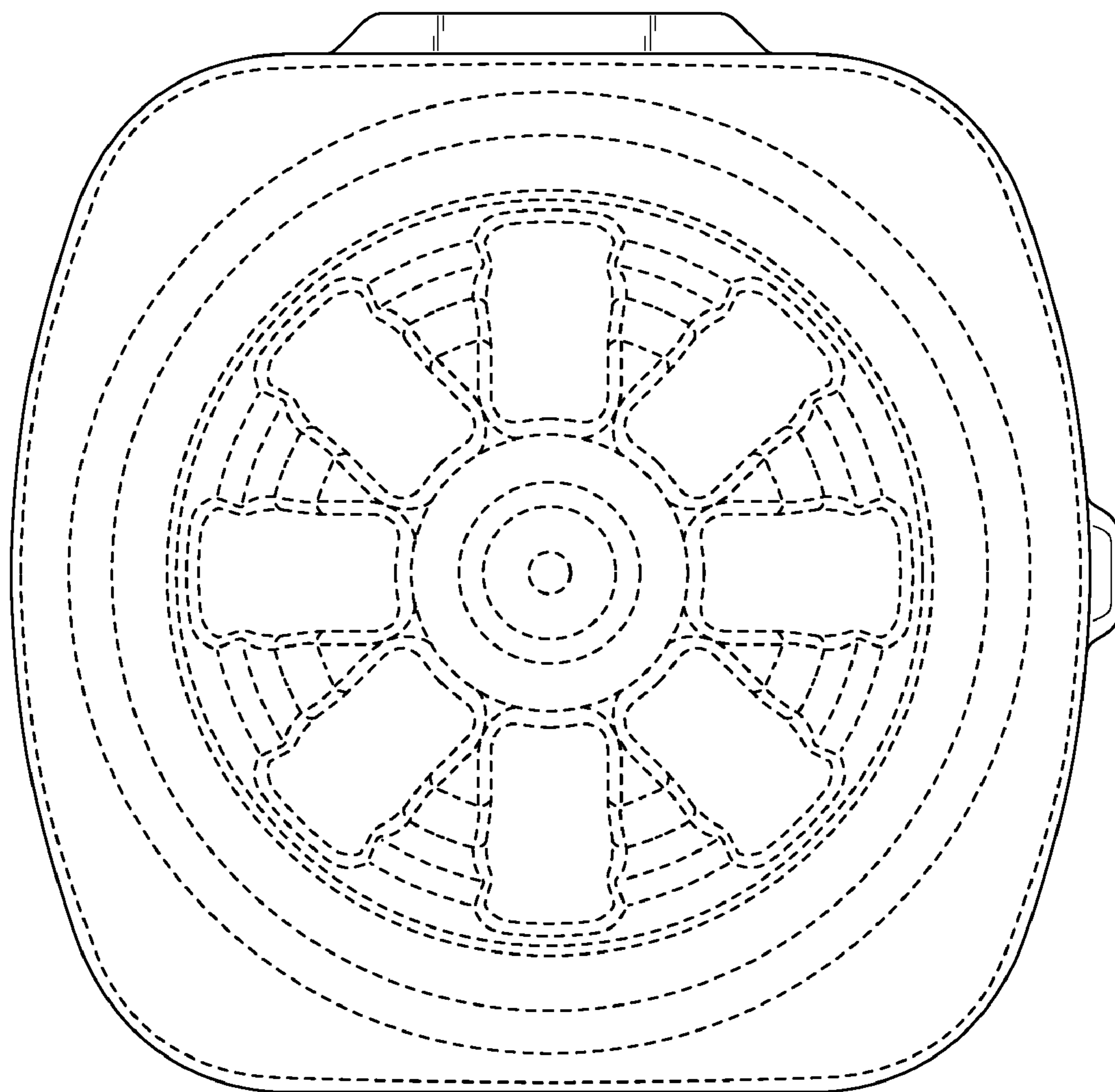


FIG. 7

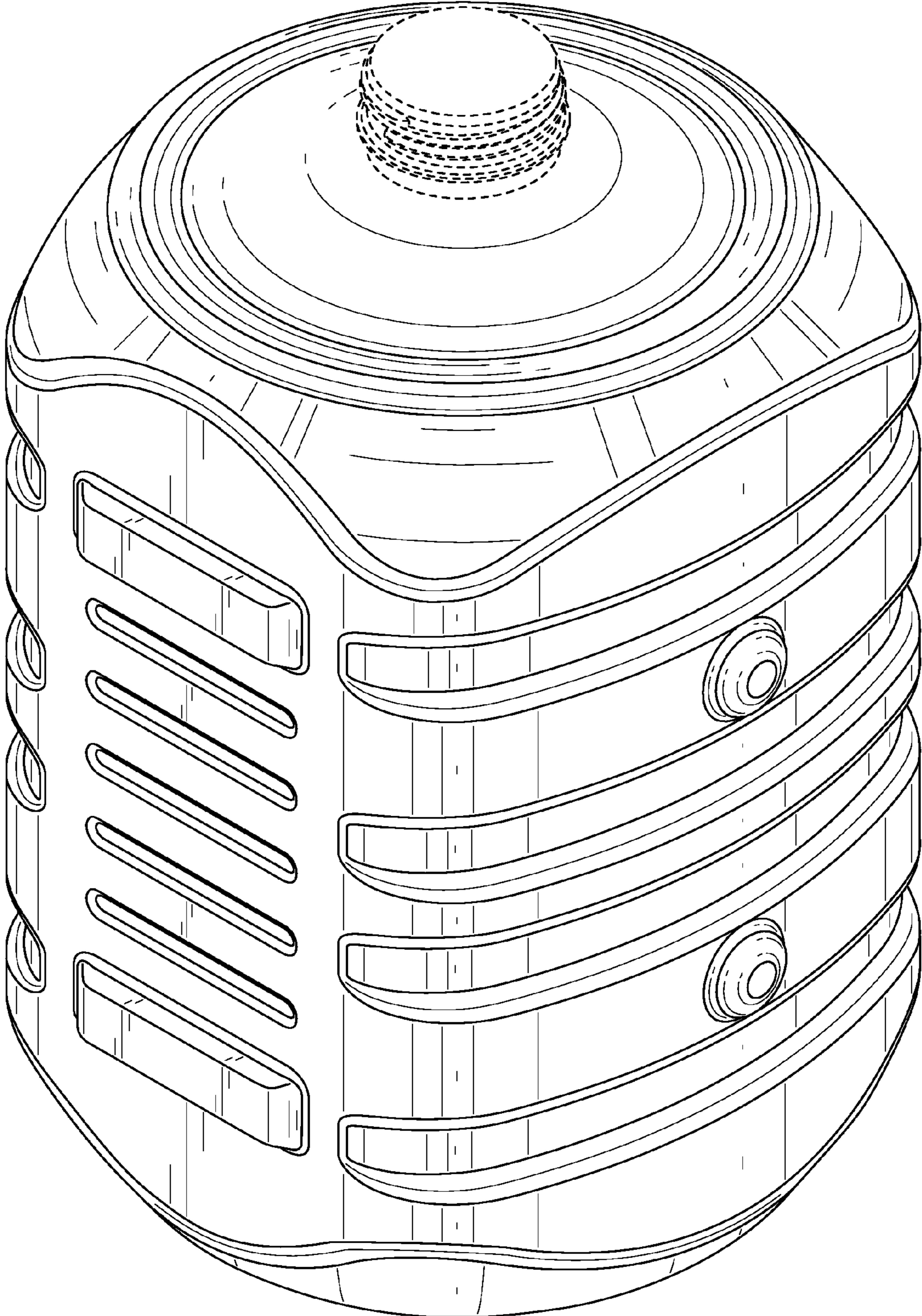


FIG. 8

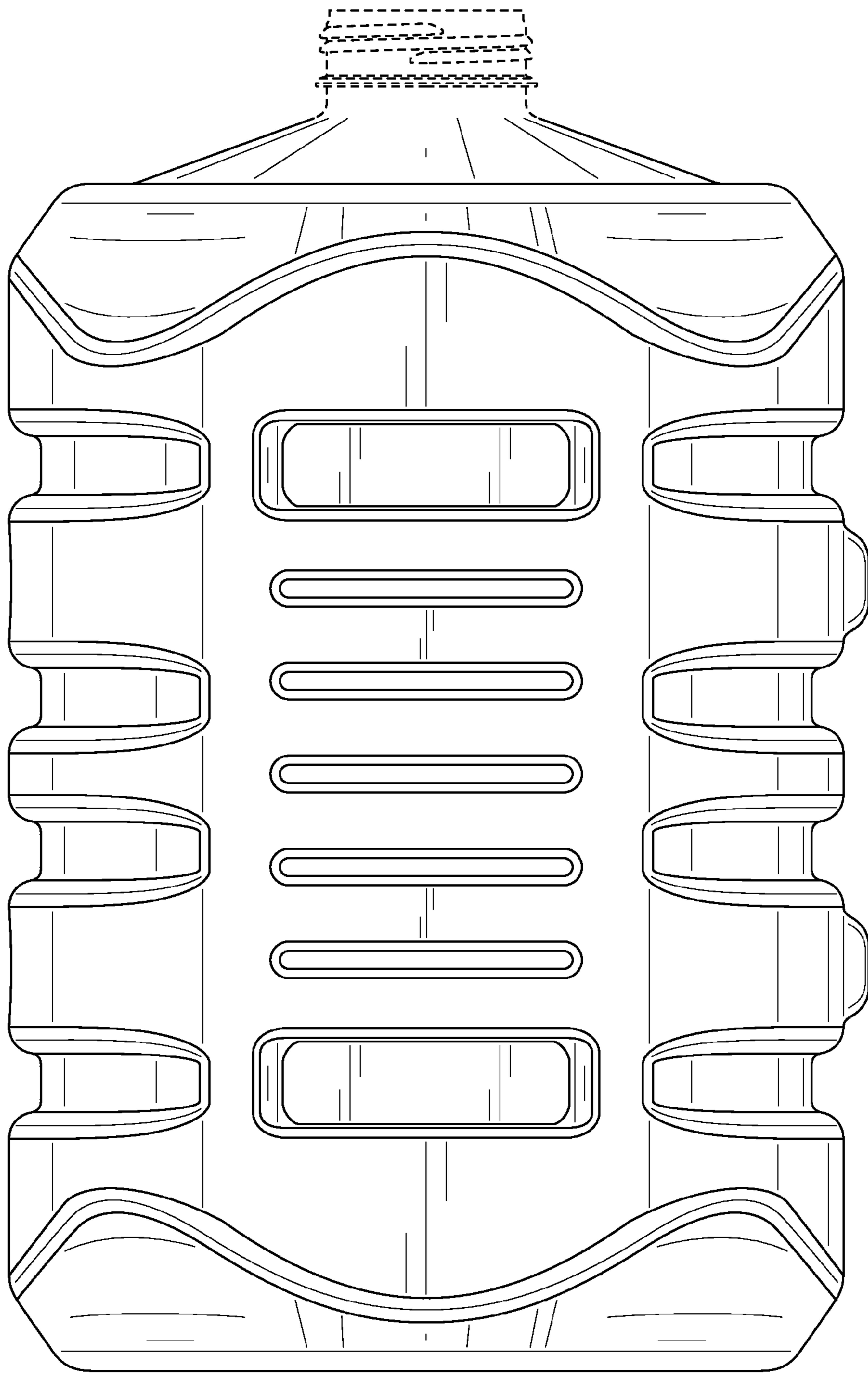


FIG. 9

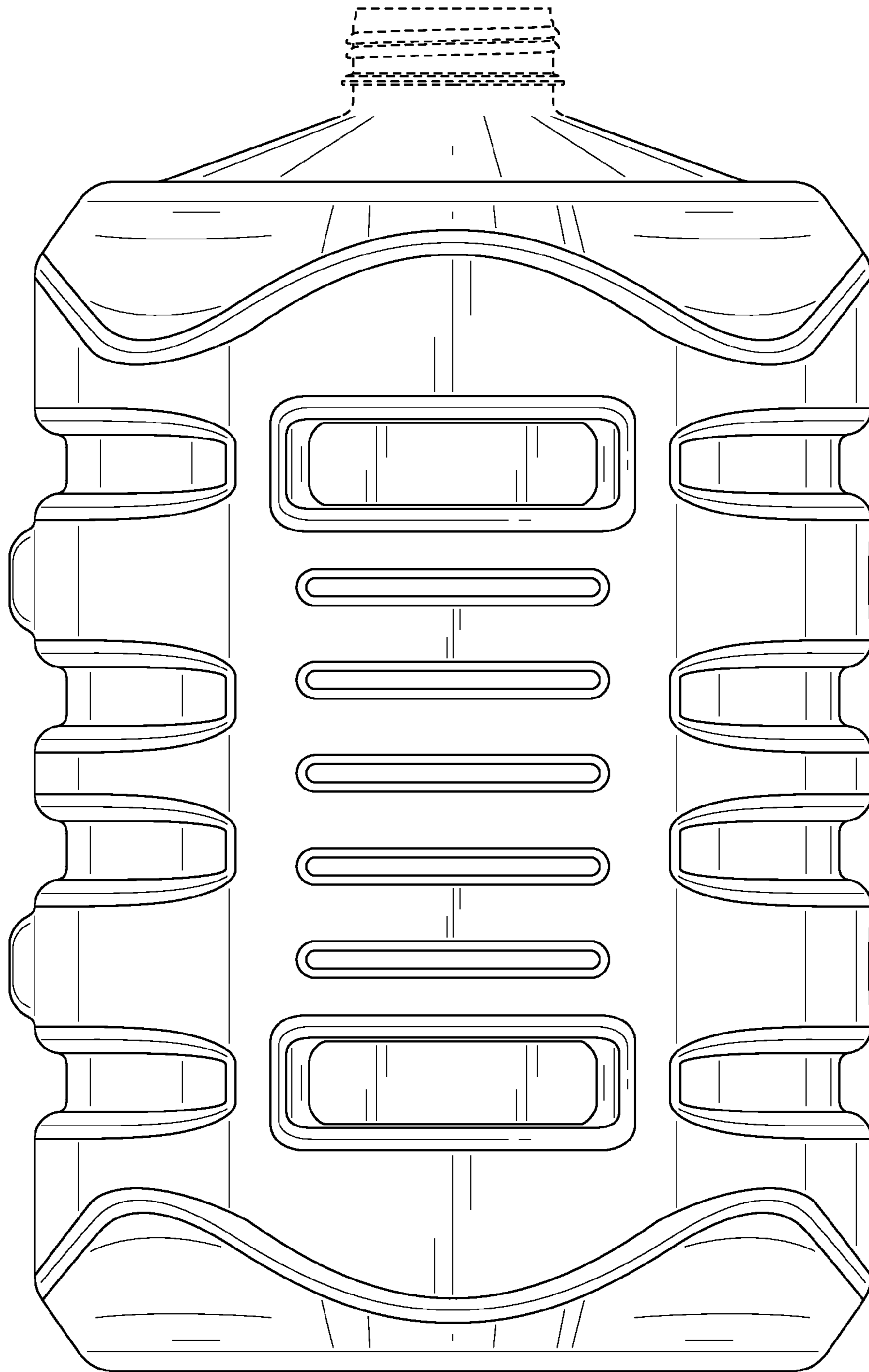


FIG. 10

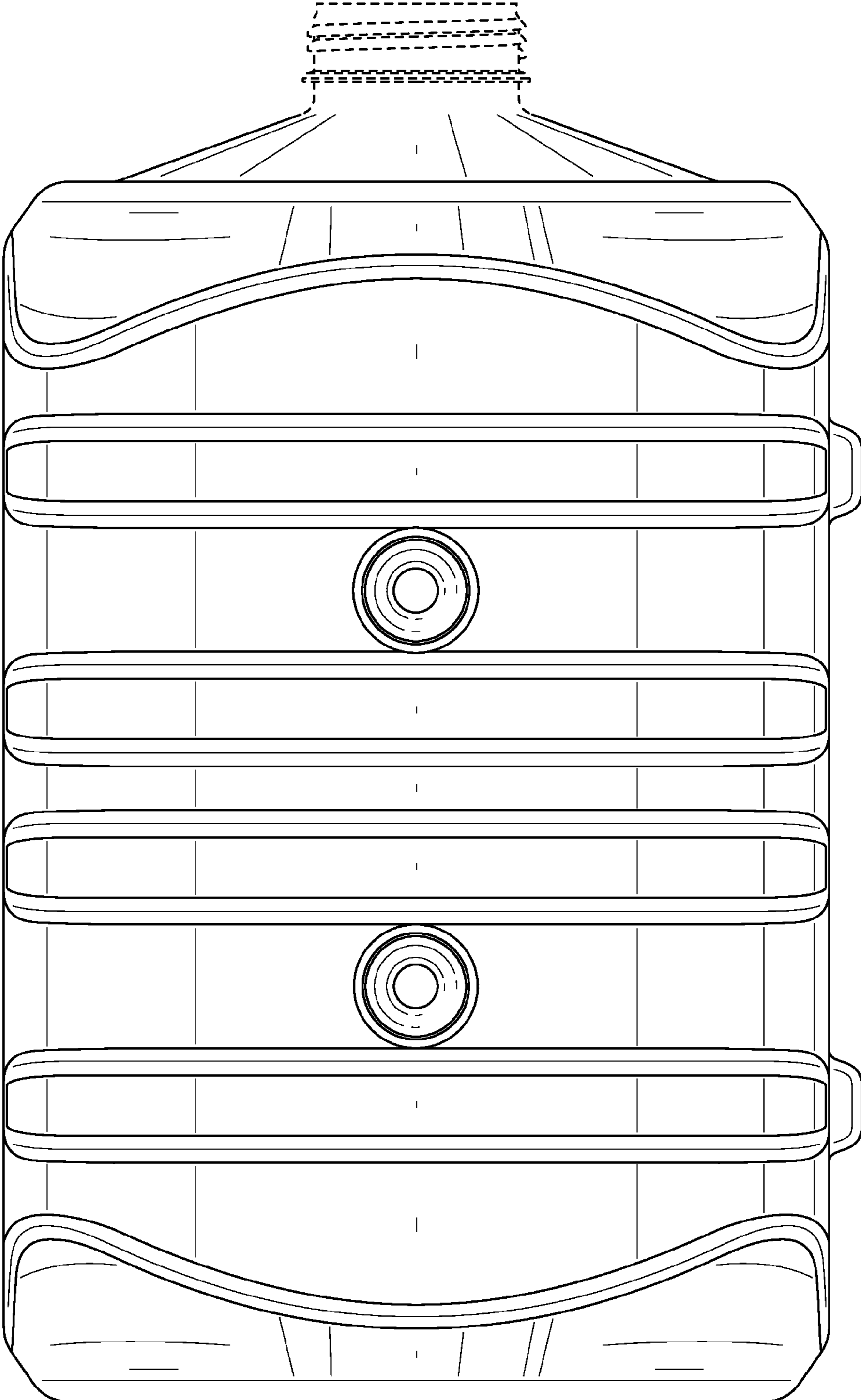


FIG. 11

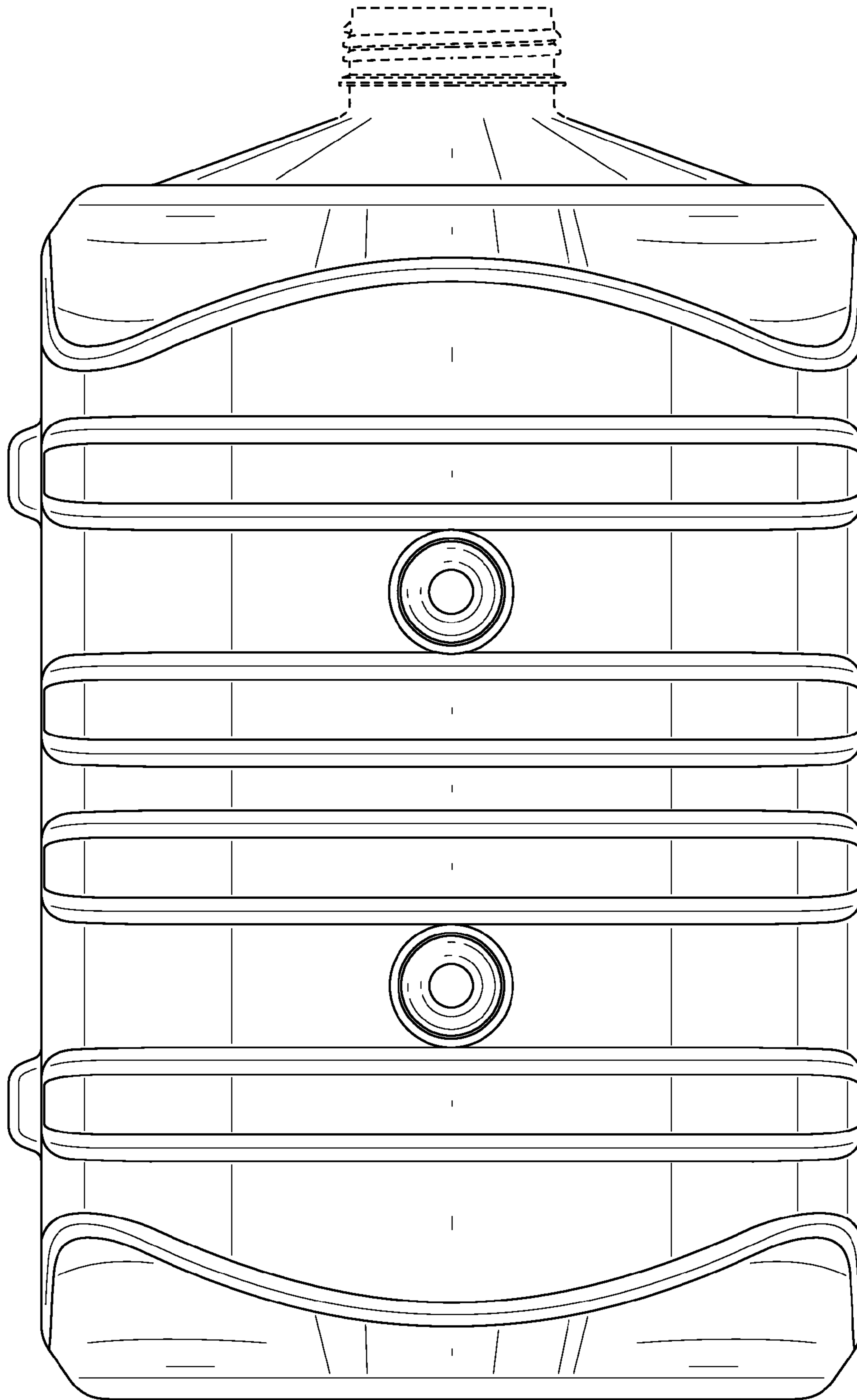


FIG. 12

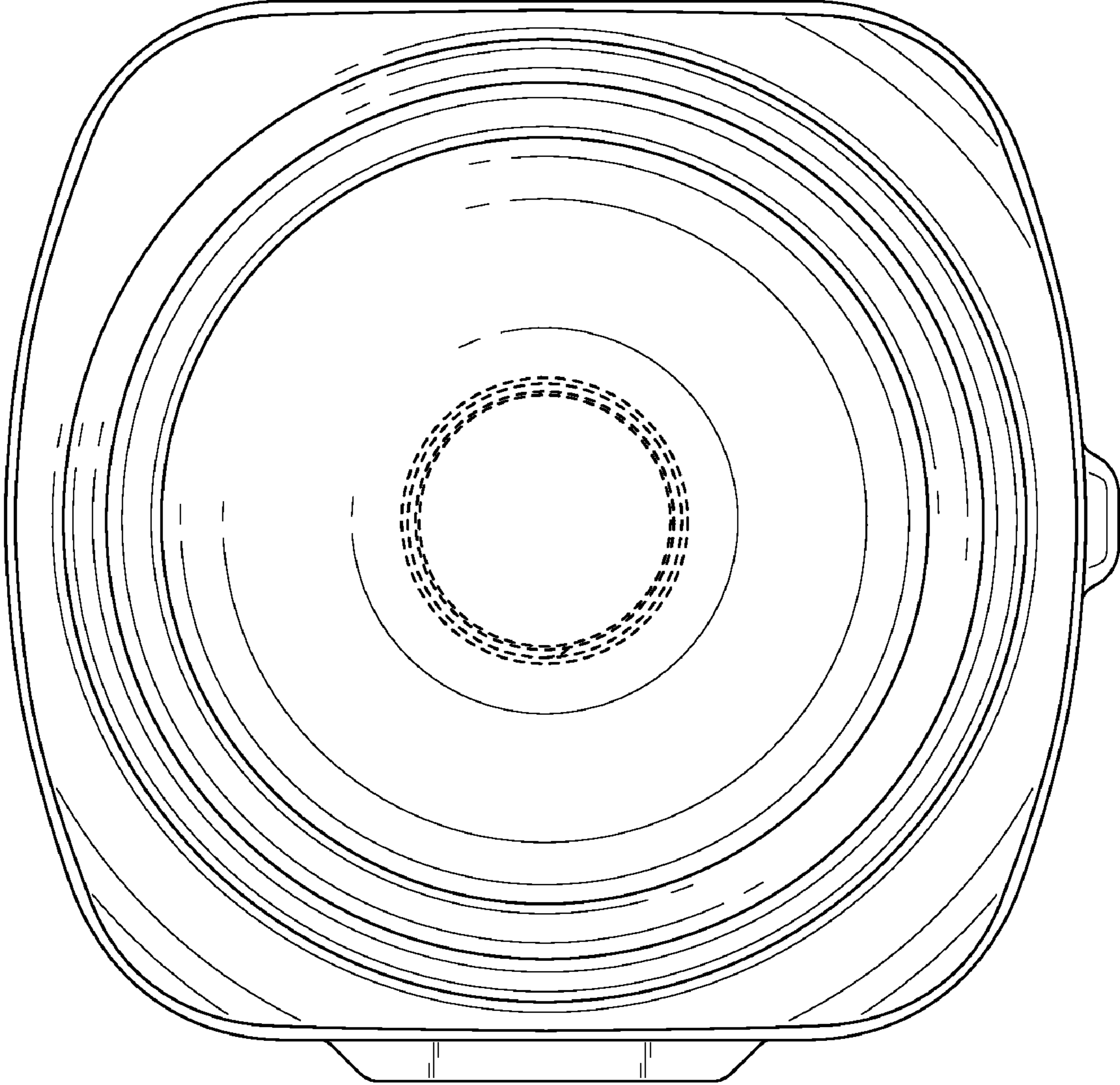


FIG. 13

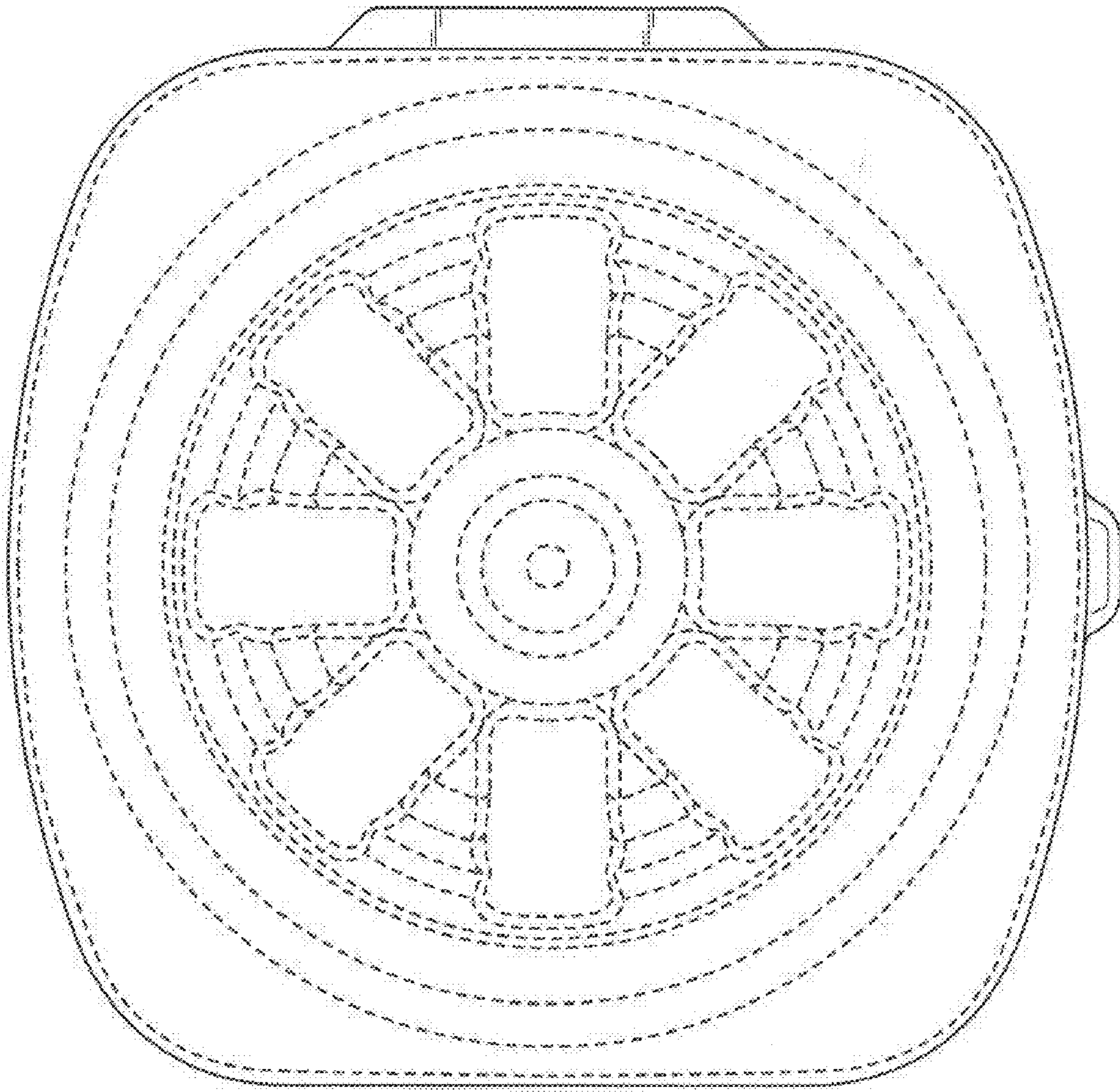


FIG. 14