



US00D635456S

(12) **United States Design Patent**
Yan

(10) **Patent No.:** **US D635,456 S**

(45) **Date of Patent:** **** Apr. 5, 2011**

(54) **RECYCLE MAIL PACK**

(76) Inventor: **Ellis Yan**, Aurora, OH (US)

(**) Term: **14 Years**

(21) Appl. No.: **29/313,557**

(22) Filed: **Jan. 22, 2009**

(51) **LOC (9) Cl.** **09-03**

(52) **U.S. Cl.** **D9/433; D9/432**

(58) **Field of Classification Search** D9/430-433,
D9/414, 418, 420-424; D3/272; 206/267,
206/269, 270, 273, 299, 737, 740, 822; 229/100,
229/101, 101.3, 106, 108-112, 114-117,
229/117.05-117.09, 117.24-117.26, 221,
229/222, 227, 902, 939, 941, 942

See application file for complete search history.

(56) **References Cited**

U.S. PATENT DOCUMENTS

2,421,748	A *	6/1947	Fink	206/418
4,046,311	A *	9/1977	Voytko	229/103.3
4,228,945	A *	10/1980	Wysocki	229/120.011
D260,076	S *	8/1981	Schillinger	D9/433
D279,655	S *	7/1985	Caldwell et al.	D9/418
4,535,929	A *	8/1985	Sherman et al.	229/142
5,135,158	A *	8/1992	Boyle et al.	229/102
5,934,549	A *	8/1999	Baumgartner et al.	229/103.2
D591,592	S *	5/2009	An	D9/433
2005/0247598	A1 *	11/2005	Reed	206/775
2007/0131751	A1 *	6/2007	Rutledge	229/148
2007/0144930	A1 *	6/2007	Robson	206/459.5
2010/0006632	A1 *	1/2010	Conroy	229/120.18

* cited by examiner

Primary Examiner — Robert M Spear

Assistant Examiner — Karen Acker

(74) *Attorney, Agent, or Firm* — Joseph H. Taddeo

(57) **CLAIM**

The ornamental design for a recycle mail pack, as shown and described.

DESCRIPTION

FIG. 1 is a top perspective view of a reclosable recycle mail pack showing my new design, in a closed condition;

FIG. 2 is a top view of the recycle mail pack in an unfolded condition;

FIG. 3 is a bottom view of the recycle mail pack showing the reverse side thereof in an unfolded condition;

FIG. 4 is a right side view of an empty recycle mail pack in a partially folded condition;

FIG. 5 is a left side view of the recycle mail pack in a partially folded condition with spent bulbs inserted therein;

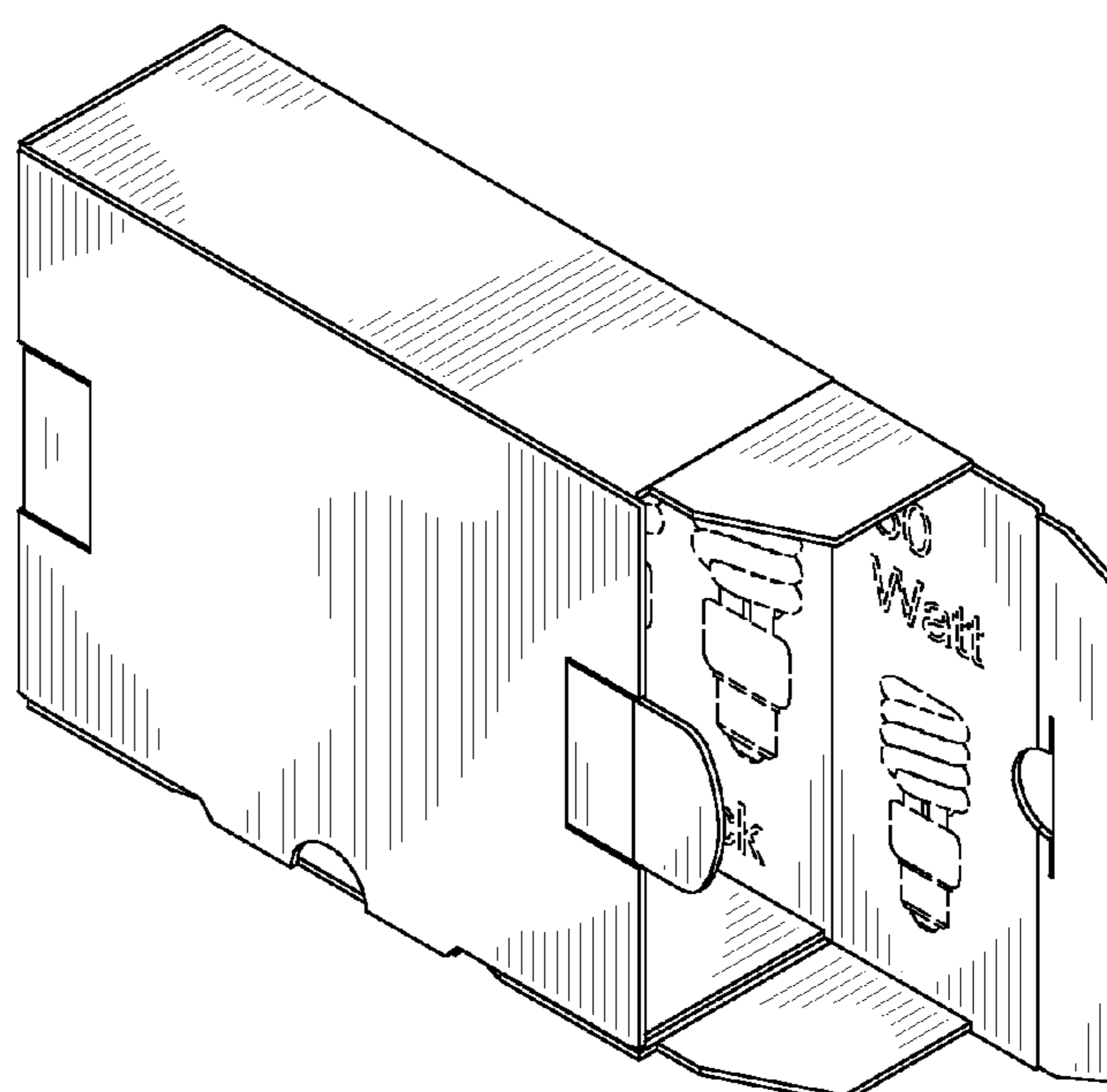
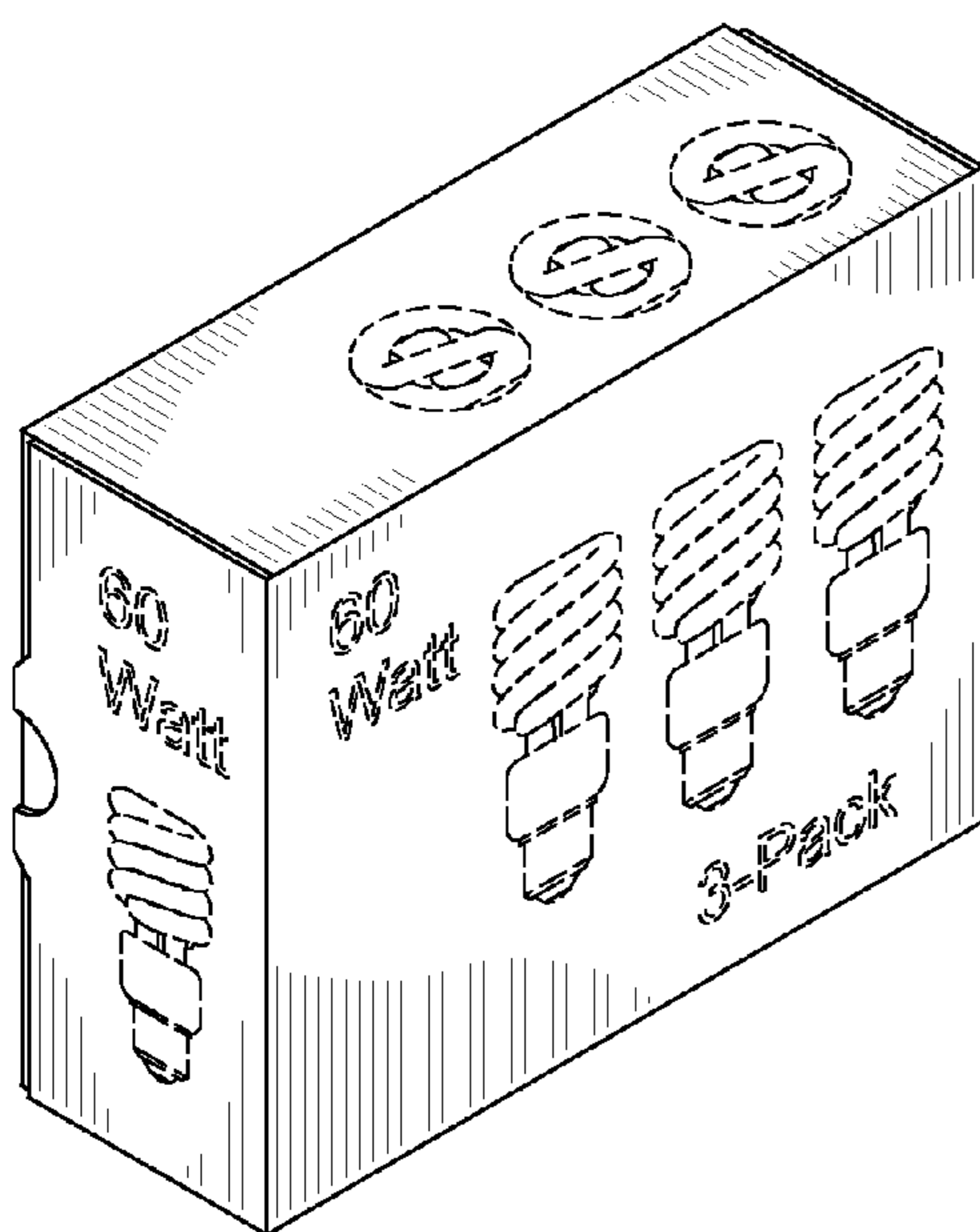
FIG. 6 is a perspective view of the recycle mail pack in a partially folded condition with spent bulbs therein for return to manufacturer;

FIG. 7 is a perspective view of the recycle mail pack, that is partially closed, to receive spent bulbs for mailing; and,

FIG. 8 is a perspective view of the recycle mail pack in a completely folded and closed condition for return of spent bulbs for recycling.

The broken lines showing the compact fluorescent lamps, indicia and mailing labels show the design in a condition of use and form no part of the claimed design. All other broken lines represent fold lines and form part of the claimed design.

1 Claim, 6 Drawing Sheets



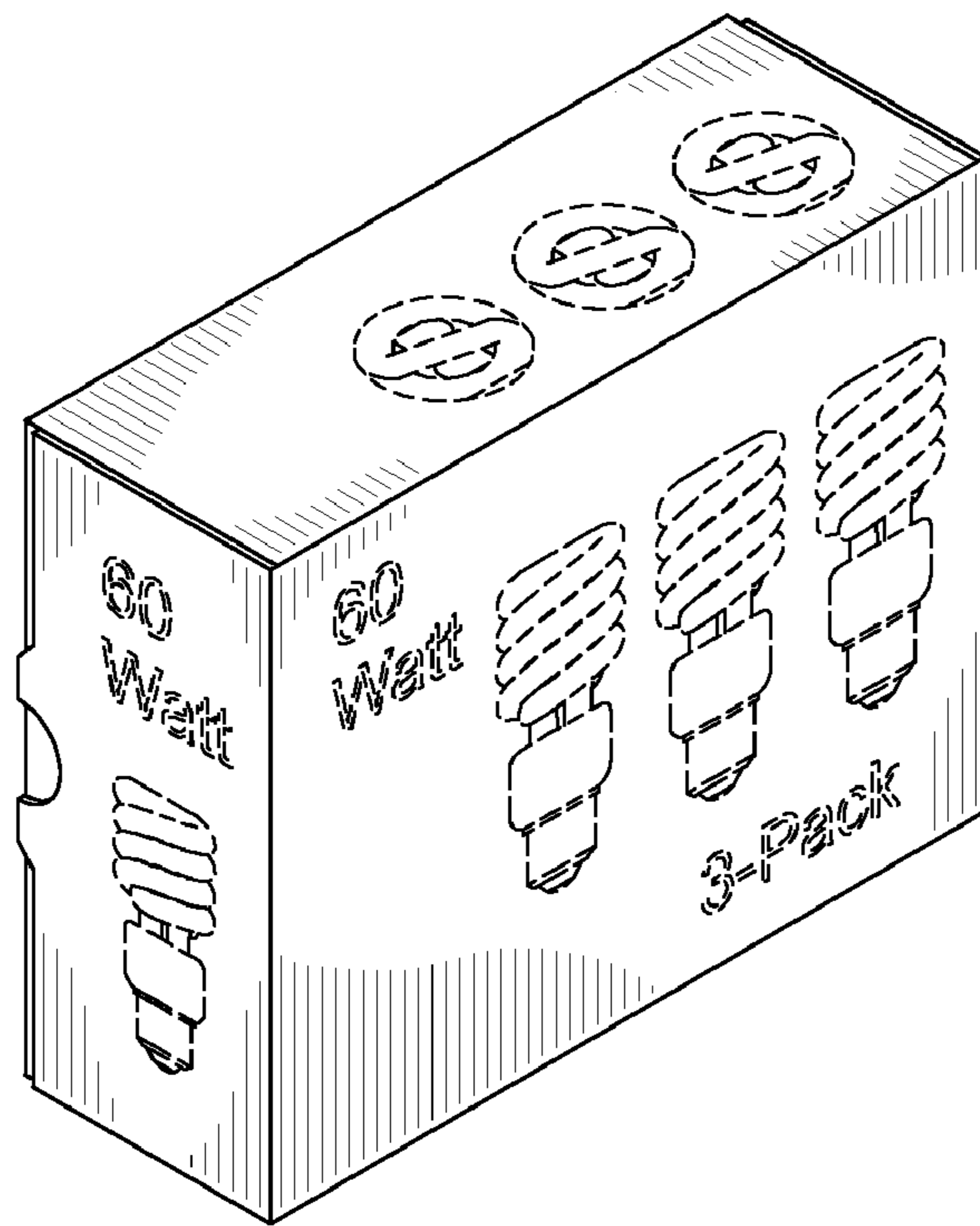


FIG-1

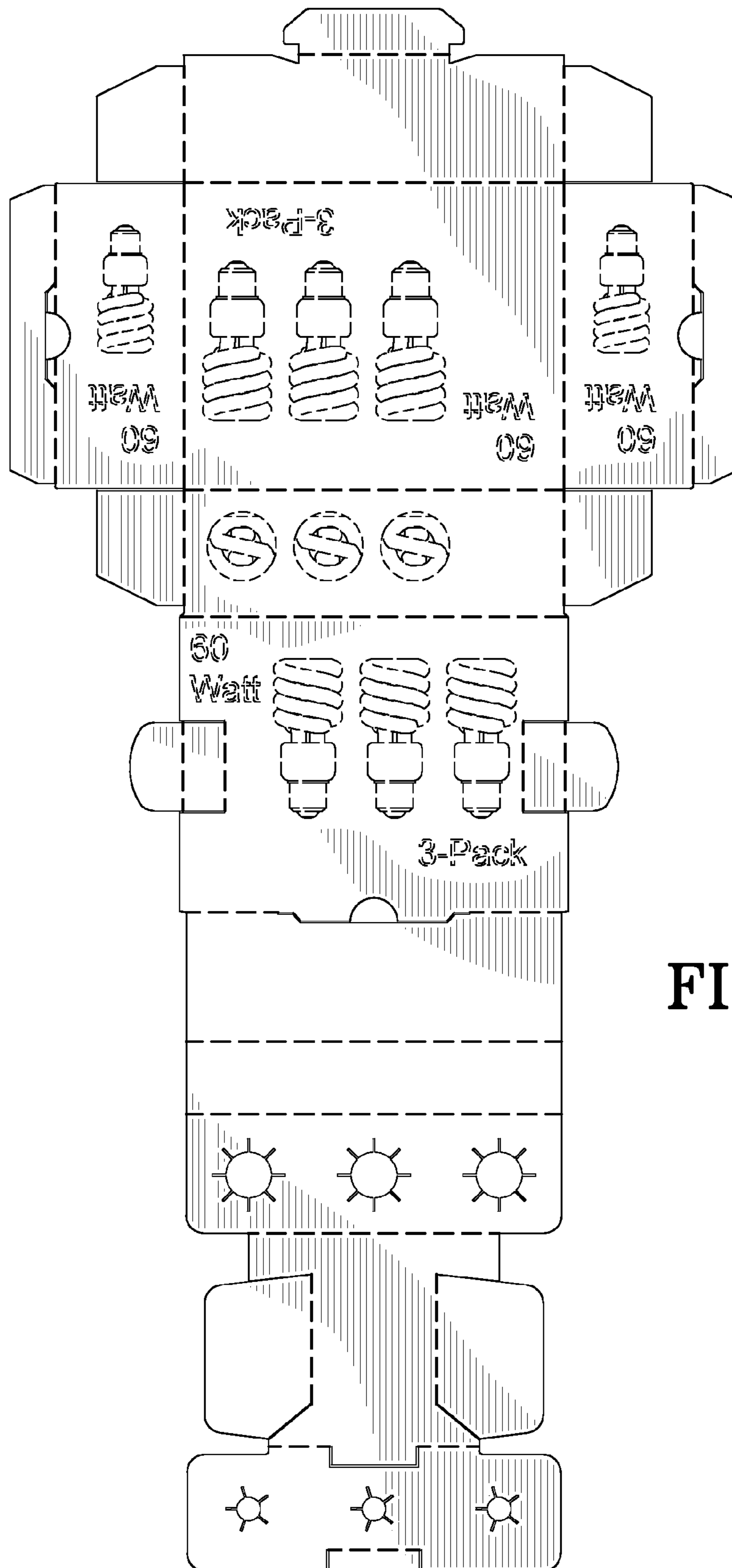


FIG-2

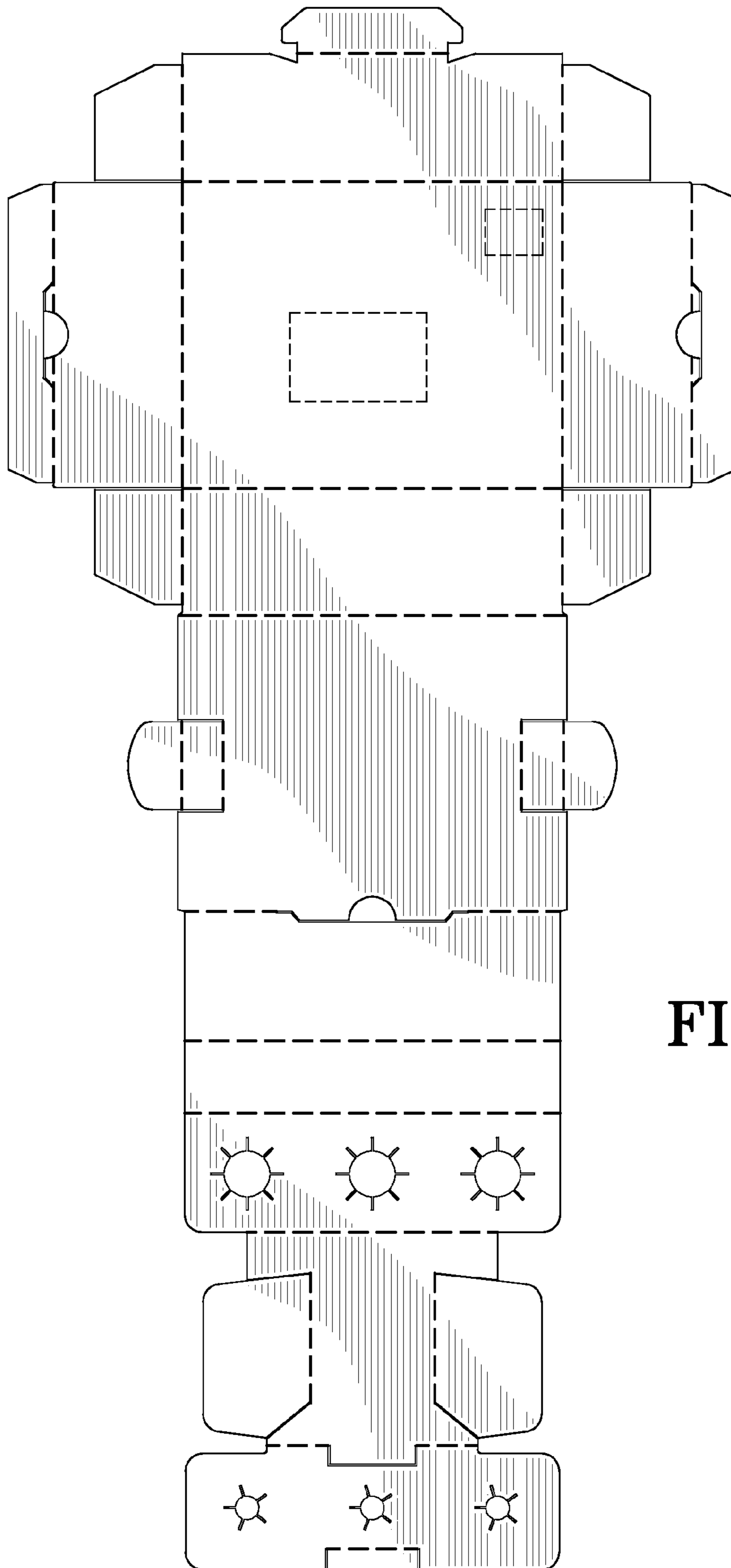


FIG-3

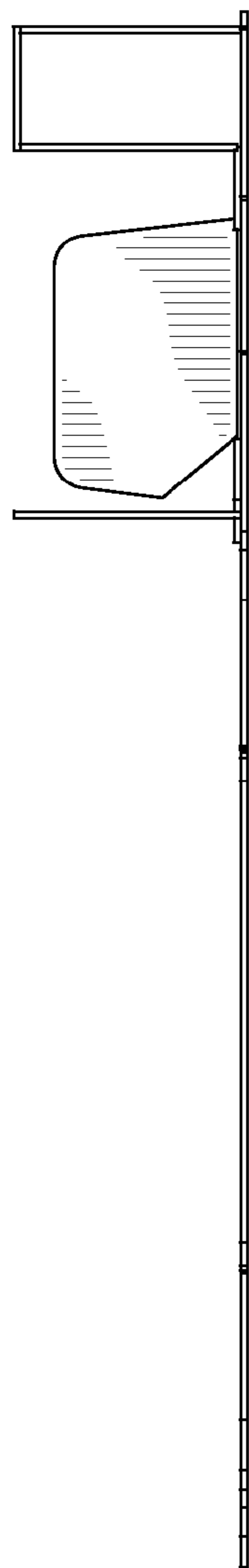


FIG-4



FIG-5

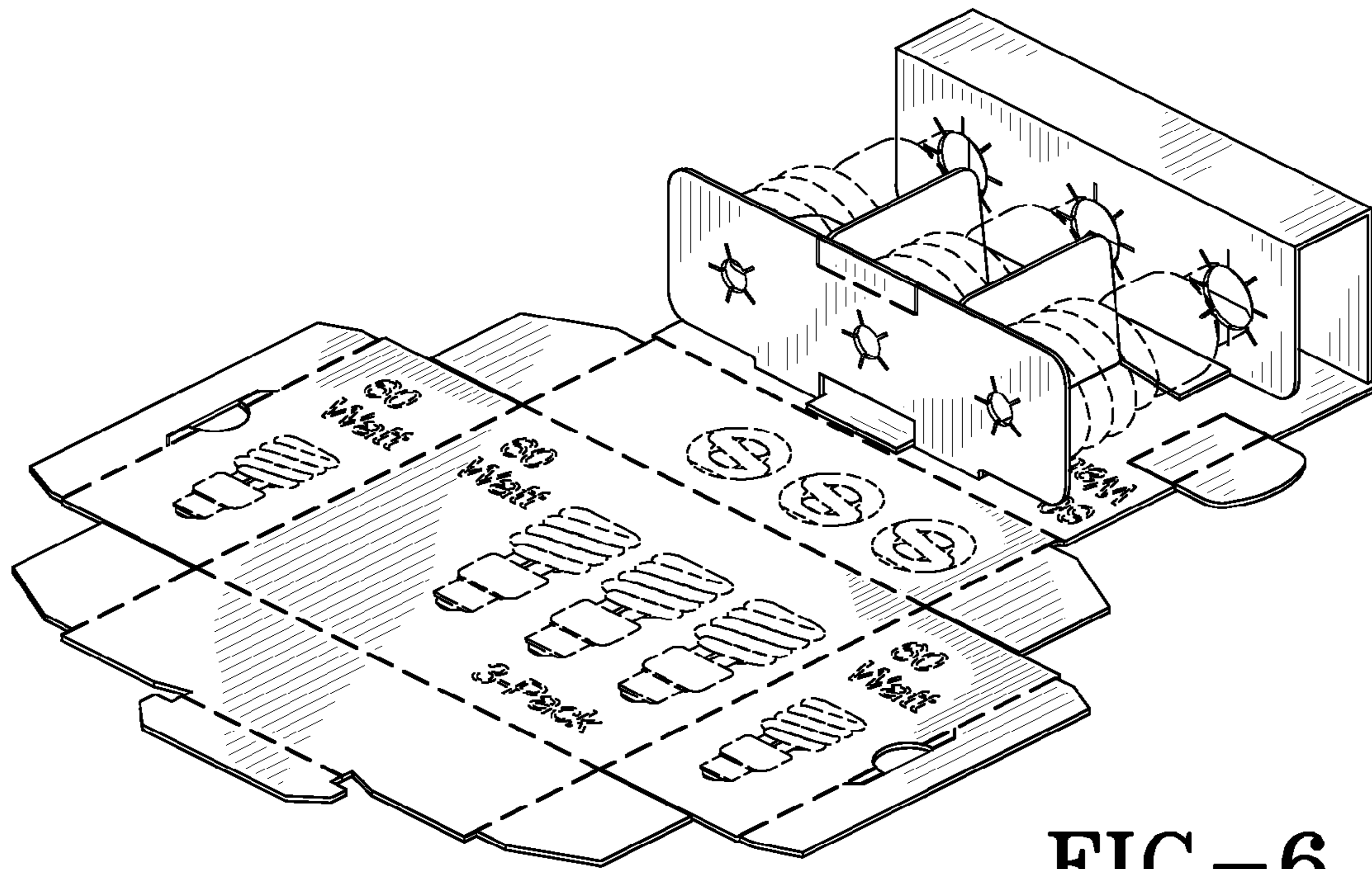


FIG-6

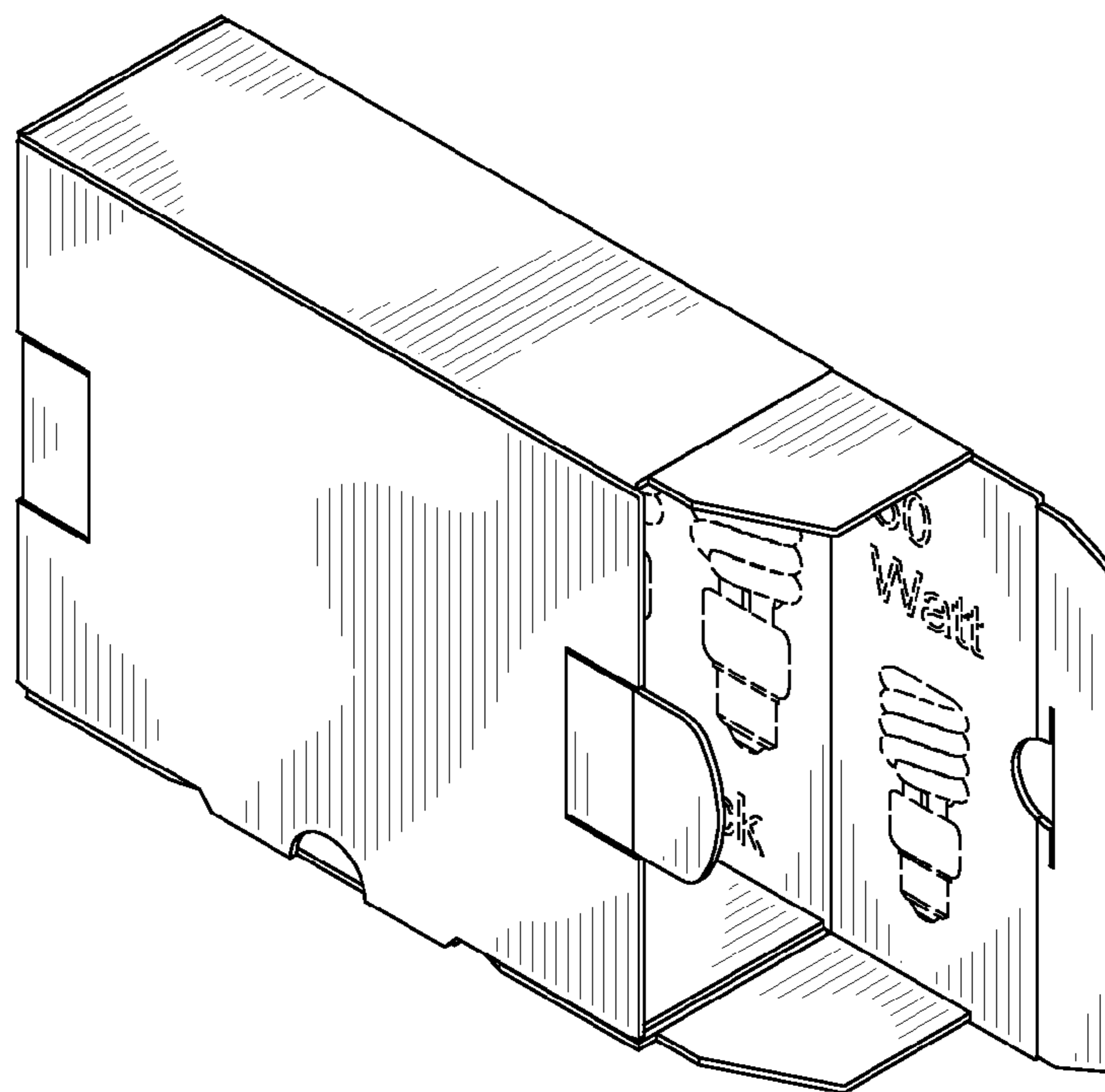


FIG-7

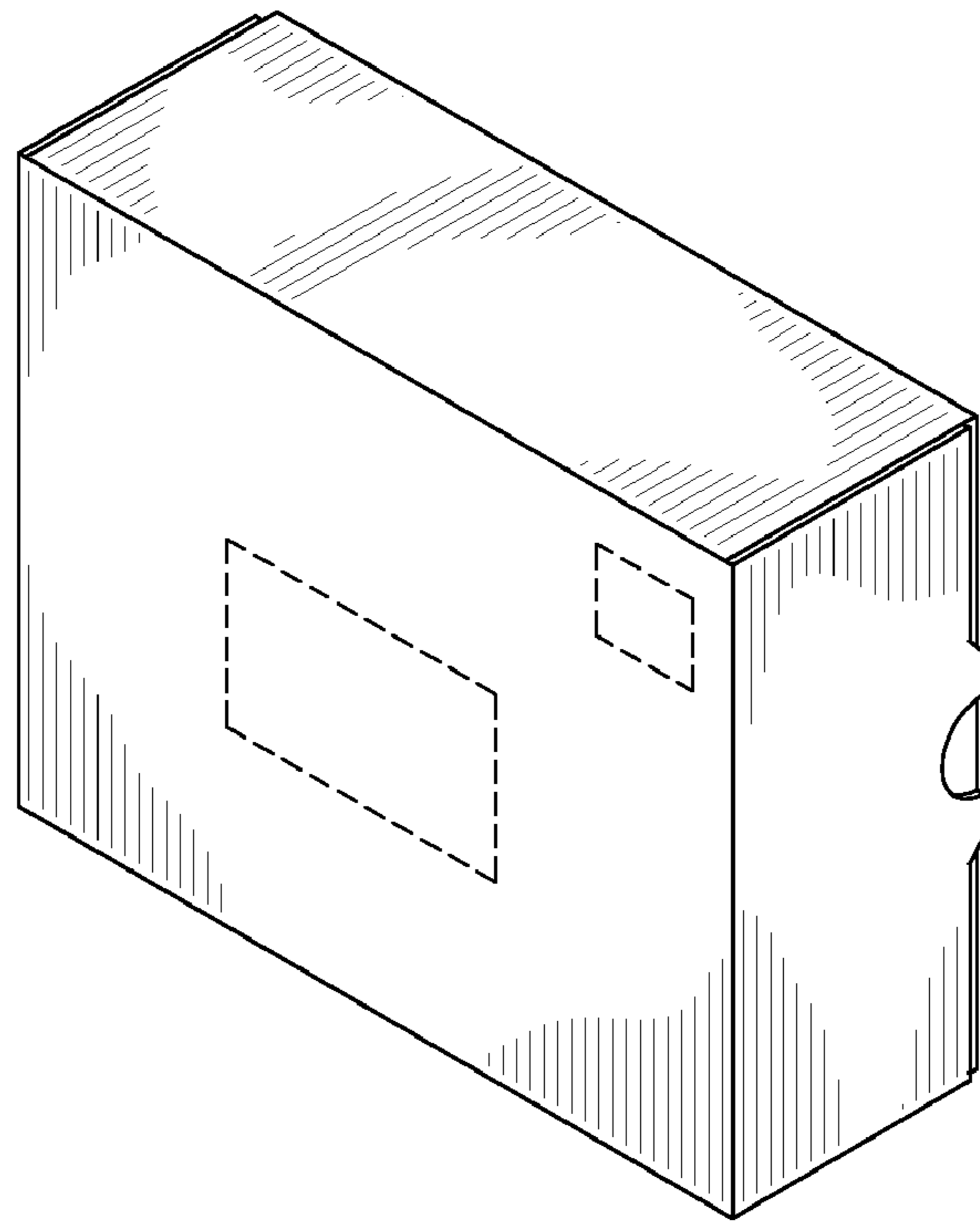


FIG-8