



US00D635453S

(12) **United States Design Patent**
Giles

(10) **Patent No.:** **US D635,453 S**

(45) **Date of Patent:** **** Apr. 5, 2011**

(54) **DOOR STOP**

(76) Inventor: **George Raymond Giles**, Tuscaloosa, AL
(US)

(**) Term: **14 Years**

(21) Appl. No.: **29/375,297**

(22) Filed: **Sep. 20, 2010**

(51) **LOC (9) Cl.** **08-09**

(52) **U.S. Cl.** **D8/402**

(58) **Field of Classification Search** D8/400-499,
D8/394-396; D25/119; 16/82, 83, 86 R;
292/288, 338, 339, DIG. 19

See application file for complete search history.

(56) **References Cited**

U.S. PATENT DOCUMENTS

786,831	A *	4/1905	McMahon	292/343
2,172,610	A *	9/1939	Frank	292/288
D191,436	S	10/1961	Urich		
D197,049	S	12/1963	Panopoulos		
D197,342	S *	1/1964	Doble	D8/9
4,768,320	A	9/1988	Weller		
D302,939	S *	8/1989	Ruskin	D8/402
5,211,722	A *	5/1993	Wagner	47/58.1 R
D346,109	S *	4/1994	Comaianni	D8/402
D347,570	S	6/1994	Burge		
D379,298	S *	5/1997	Bowen et al.	D8/402

D379,299	S *	5/1997	Fitzgibbons	D8/402
D439,133	S *	3/2001	Hoyland	D8/339
D578,872	S	10/2008	Healy		
D588,448	S	3/2009	Lagerstedt		
2002/0033608	A1 *	3/2002	Warden	292/288
2004/0055220	A1 *	3/2004	Lohman	49/322

* cited by examiner

Primary Examiner — Cathron C Brooks

Assistant Examiner — Barbara Fox

(74) *Attorney, Agent, or Firm* — QuickPatents, Inc.; Kevin Prince

(57) **CLAIM**

What is claimed is the ornamental design for a door stop, as shown and described.

DESCRIPTION

FIG. 1 is a perspective view of a door stop, showing the new design;

FIG. 2 is a front elevational view thereof;

FIG. 3 is a rear elevational view thereof;

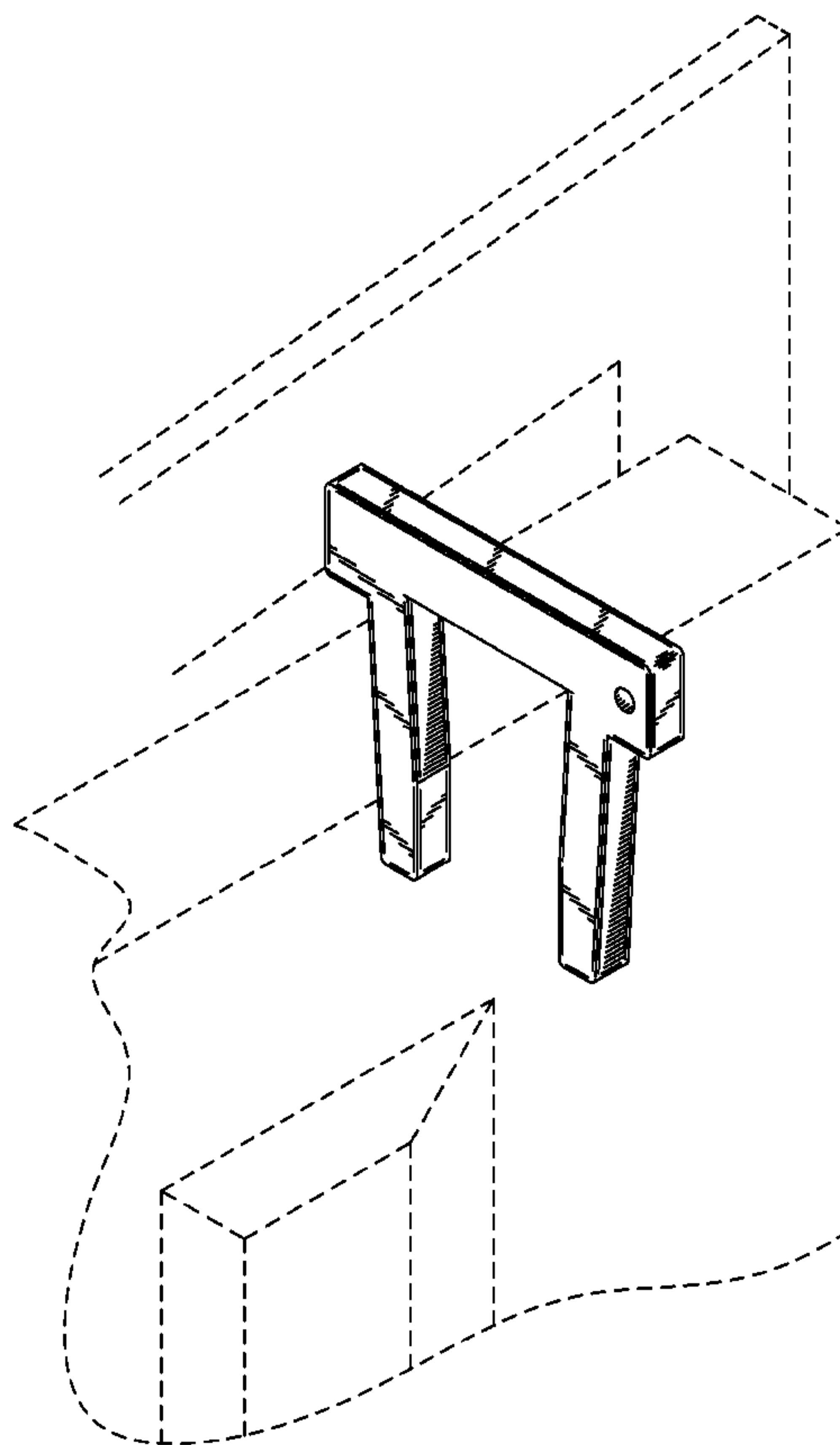
FIG. 4 is a left-side elevational view thereof, the right-side elevational view being a mirror image thereof;

FIG. 5 is a top plan view thereof; and,

FIG. 6 is a bottom plan view thereof.

The broken lines showing a door and frame in FIG. 1 are included for the purpose of illustrating the invention in use, and form no part of the claimed design.

1 Claim, 2 Drawing Sheets



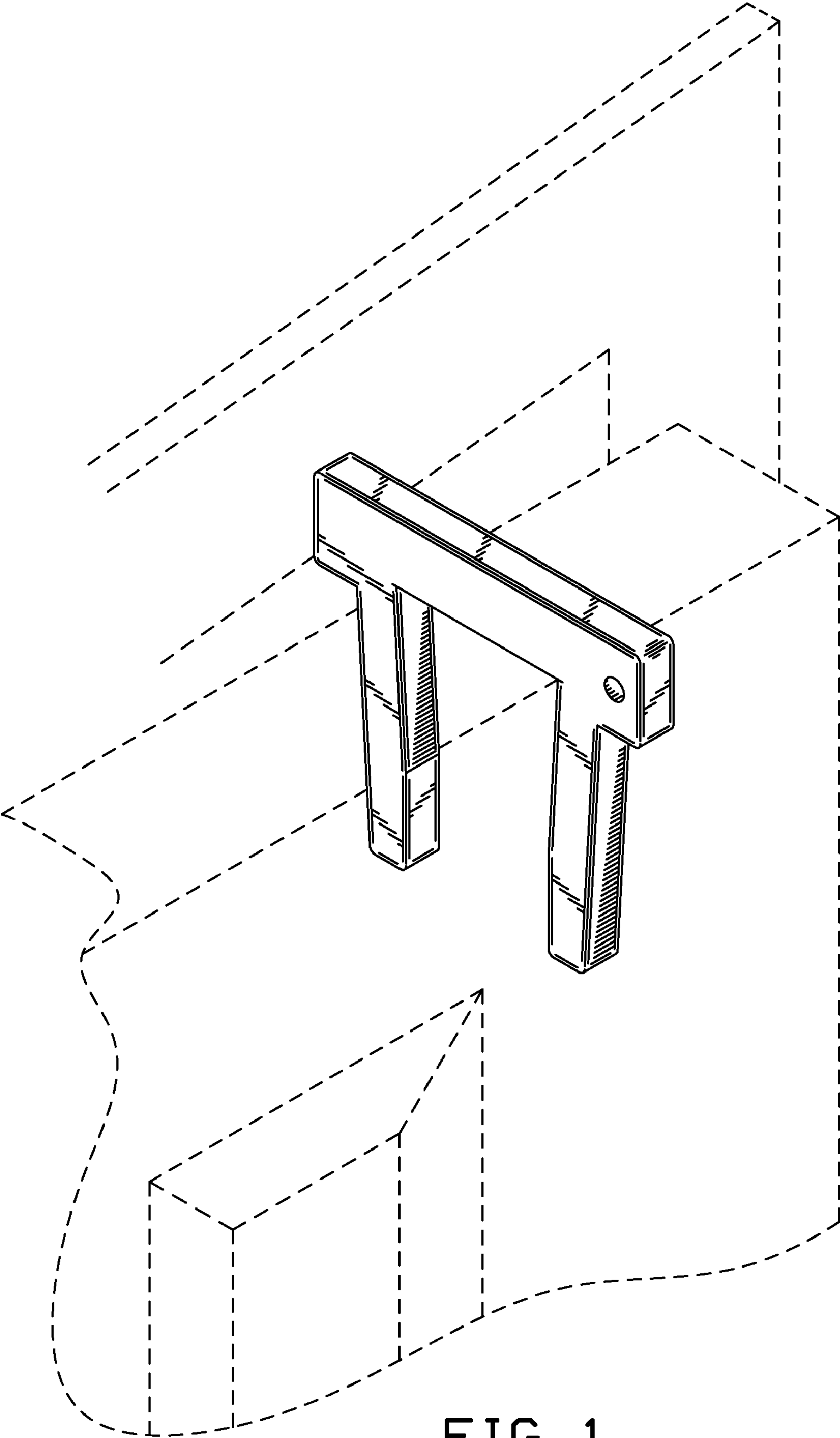


FIG. 1

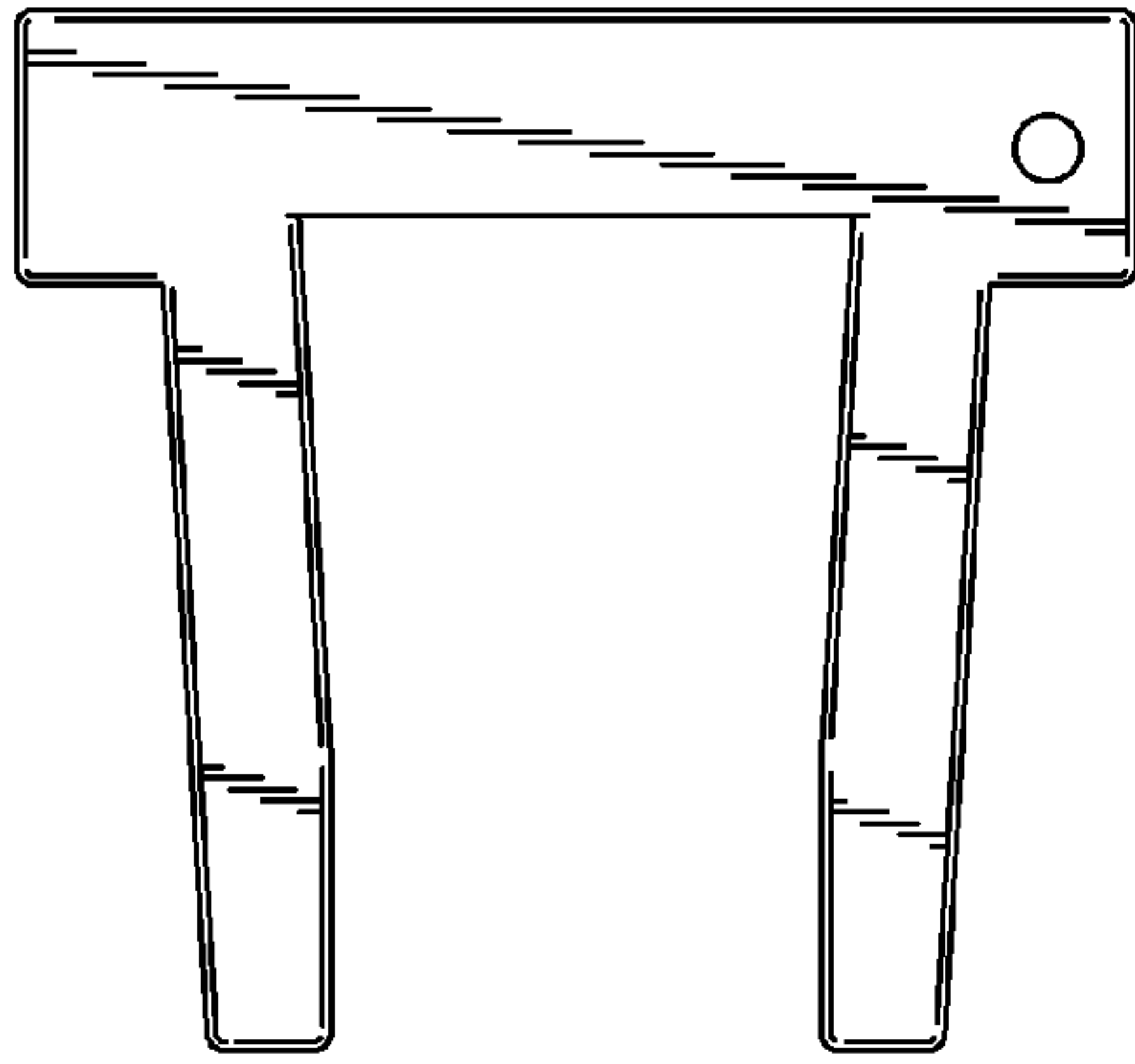


FIG. 2

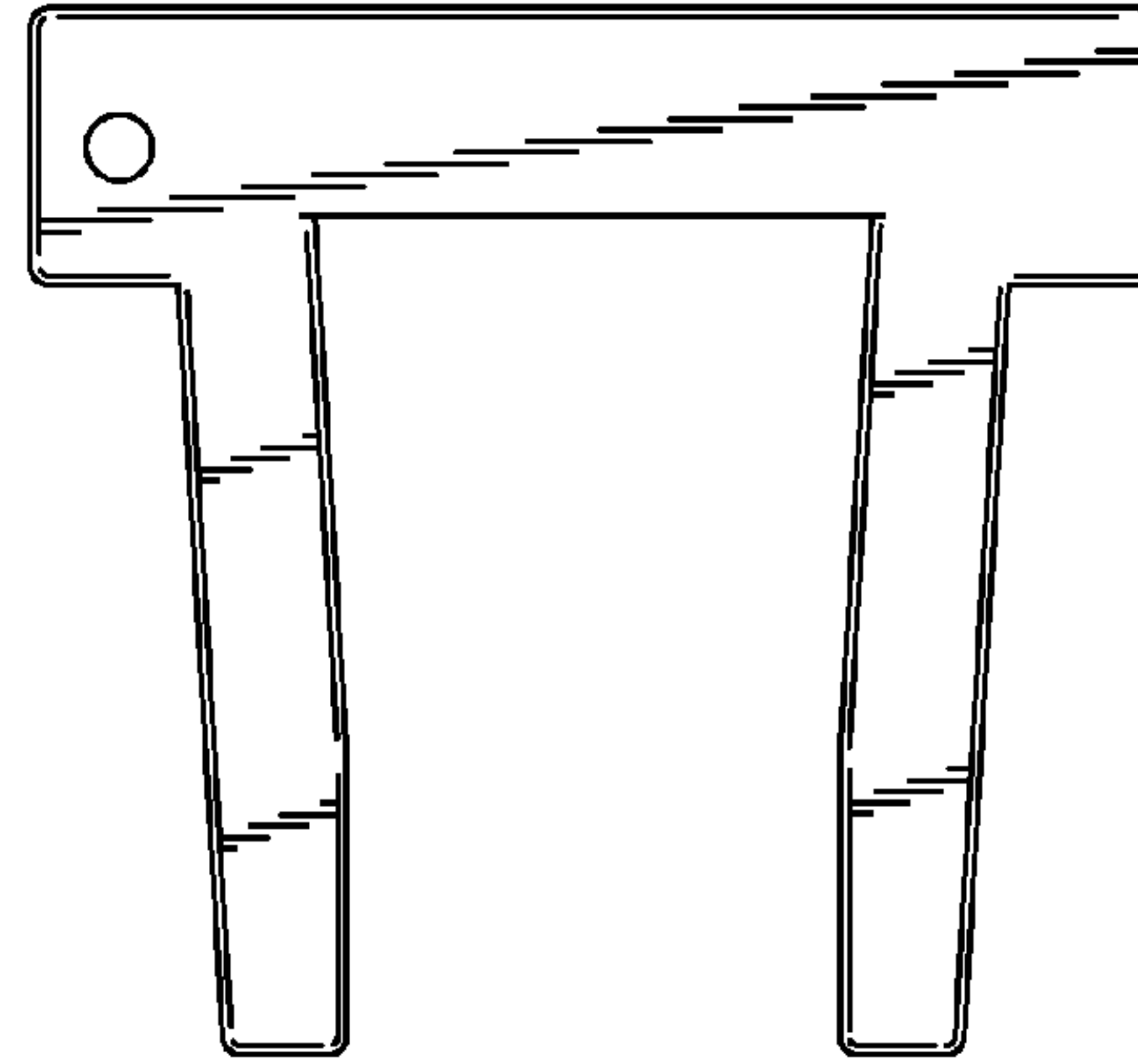


FIG. 3

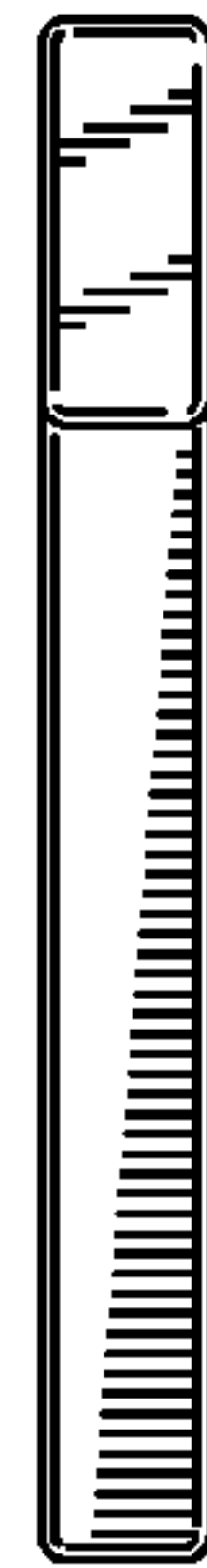


FIG. 4

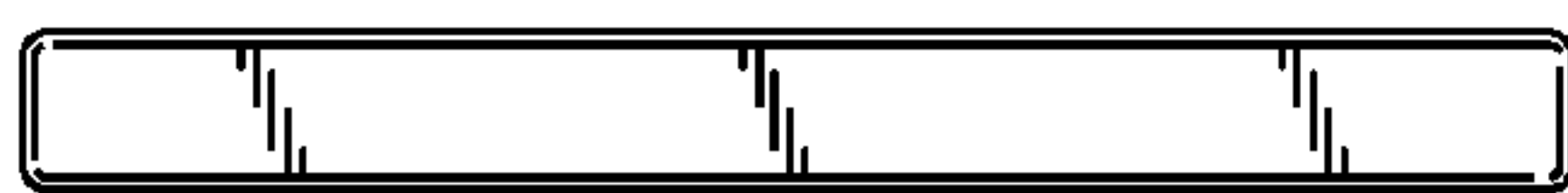


FIG. 5



FIG. 6