



US00D635450S

(12) **United States Design Patent**
Deese

(10) **Patent No.:** **US D635,450 S**

(45) **Date of Patent:** **** *Apr. 5, 2011**

(54) **PULLING EYE**

(75) Inventor: **Myron D. Deese**, Carrollton, GA (US)

(73) Assignee: **Southwire Company**, Carrollton, GA (US)

(*) Notice: This patent is subject to a terminal disclaimer.

(**) Term: **14 Years**

(21) Appl. No.: **29/340,663**

(22) Filed: **Jul. 23, 2009**

(51) **LOC (9) Cl.** **08-08**

(52) **U.S. Cl.** **D8/382**

(58) **Field of Classification Search** D8/383,
D8/367, 356, 349, 382; 24/115 A, 122.6;
254/134.3 R; 403/275, 379.5, 165.2

See application file for complete search history.

(56) **References Cited**

U.S. PATENT DOCUMENTS

2,007,411	A	7/1935	Candy, Jr.	
2,615,074	A *	10/1952	Bronovicki	174/10
3,989,400	A *	11/1976	Smith et al.	403/275
4,101,114	A	7/1978	Martin et al.	
4,183,692	A *	1/1980	Durr	403/275
4,337,923	A	7/1982	Smith	
4,460,159	A	7/1984	Charlebois et al.	
4,609,180	A	9/1986	Fisher et al.	
4,691,988	A *	9/1987	Tremblay et al.	385/136
5,013,125	A *	5/1991	Nilsson et al.	385/137
5,122,007	A *	6/1992	Smith	403/2
5,197,715	A	3/1993	Griffioen	
D346,734	S *	5/1994	Rohr	D8/349
6,883,782	B2	4/2005	Ames et al.	
7,182,306	B2	10/2006	Ames et al.	
7,246,789	B2	7/2007	Ames et al.	
D604,594	S *	11/2009	Lin	D8/367
D605,499	S *	12/2009	Gaudron	D8/385
2004/0041136	A1	3/2004	Ames et al.	

OTHER PUBLICATIONS

User Guide, "Reusable Power Eye" by Condux International, Inc., Literature Part No. 08917089, Revision No. 2.5, Copyright 2008; 2 pages. Accessed from <http://www.condux.com>.

Installation Guide, "Crimp-On Pulling Eyes" by Condux International, Inc., Literature Part No. 08920097, Revision No. 2.00, Copyright 1998, 16 pages. Accessed from <http://www.condux.com>.

DCD Design Catalog, Cable Pulling Eyes Section, "Power Cable Pulling Eyes 00925 / 24000 / 24100 Series," p. 24. Accessed from www.dcdesign.com Jul. 2007 Catalog; 1 page.

DCD Design Catalog, Cable Pulling Eyes Section, "24000 Power-Grip™ (lug) 24100 Power-Grip™ (clevis)," p. 25. Accessed from www.dcdesign.com Jul. 2007 Catalog; 1 page.

DCD Design Catalog, Cable Pulling Eyes Section, "Multiplex Pushing Eye 24200 Series," p. 26. Accessed from www.dcdesign.com Jul. 2007 Catalog; 1 page.

DCD Design Catalog, Cable Pulling Eyes Section, "Mimi Grip 24500 Series / Pulling Harness 25000 Series," p. 27. Accessed from www.dcdesign.com Jul. 2007 Catalog; 1 page.

"Grips Double Lock System," new product information page, accessed Mar. 18, 2010 from <http://www.maxis-tools.com/>, 1 page.

"Grips Maxis," product information page, accessed Mar. 18, 2010 from <http://www.maxis-tools.com/product/grips/>, 1 page.

"Utility Industries, Inc (UII)," product information page, accessed Mar. 18, 2010 from <http://utilityindustries.com/products.html>, 1 page.

"Greenlee," product information page, accessed Mar. 18, 2010 from http://www.mygreenlee.com/Products/main.shtml?greenlee_category_id=10&productcategory=109&adodb_next_page=1&portaProcess_2=showGreenleeProductTemplate&upc_number=31855, 1 page.

"Spaced and Overlapping Crimps" and "Crimp Configurations", product information page, Copyright 2007 FCI USA, Inc., 1 page.

International Search Report and Written Opinion dated May 12, 2010 in International Application No. PCT/US10/028113.

U.S. Appl. No. 12/726,992 filed Mar. 18, 2010 entitled "Integrated Systems Facilitating Wire and Cable Installations", Inventors: Carlson et al.

* cited by examiner

Primary Examiner — Holly H Baynham

Assistant Examiner — Sheryl Lane

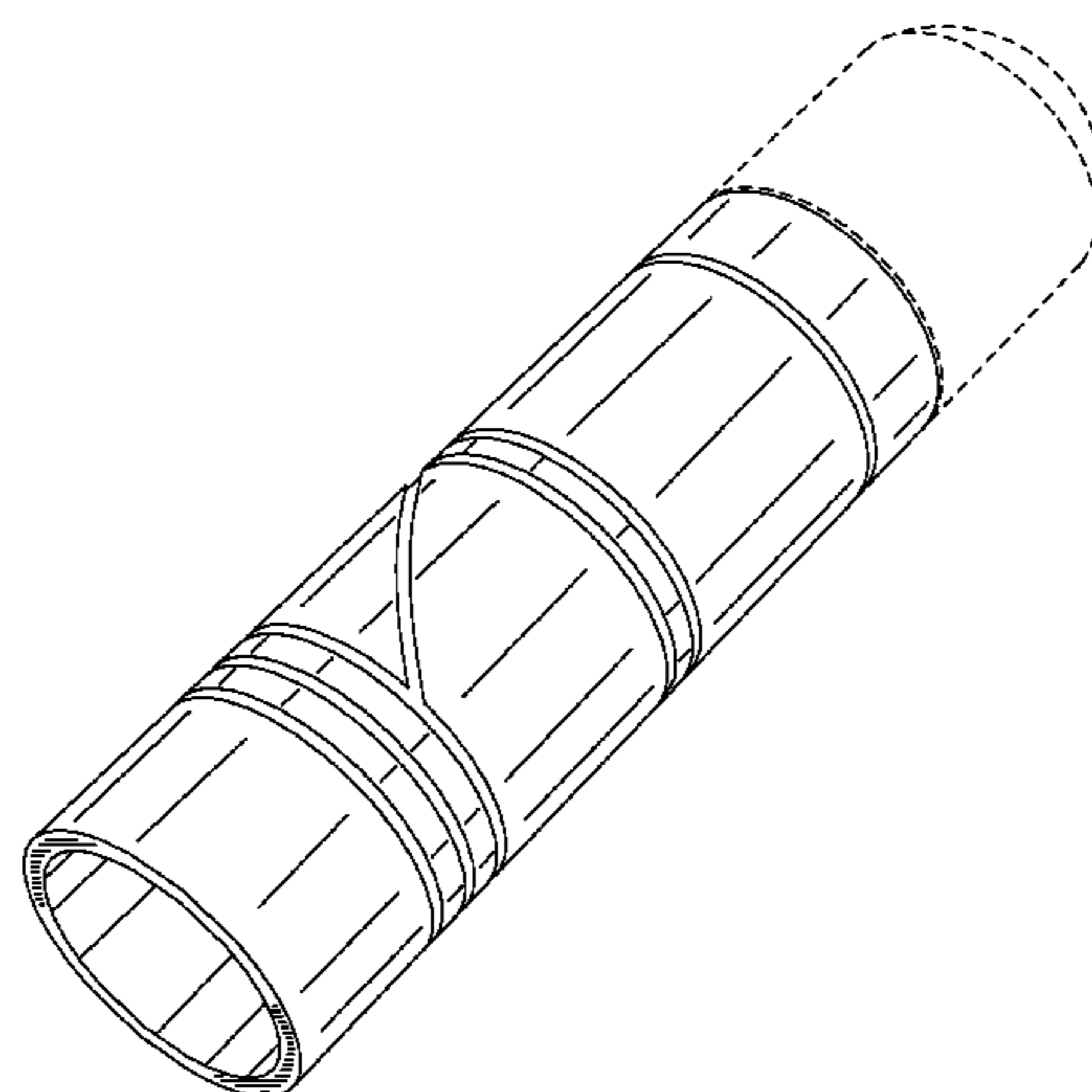
(74) *Attorney, Agent, or Firm* — Hope Baldauff Hartman LLC

(57) **CLAIM**

The ornamental design for a pulling eye, as shown and described.

DESCRIPTION

FIG. 1 is a perspective view of a pulling eye according to a first embodiment, where the broken line showing of a head



portion of the pulling eye is for the purpose of illustrating portions of the article and forms no part of the claimed design; FIG. 2 is a right side view of the pulling eye according to the first embodiment, where the broken line showing of the head portion of the pulling eye is for the purpose of illustrating portions of the article and forms no part of the claimed design; FIG. 3 is a bottom view of the pulling eye according to the first embodiment, where the broken line showing of the head portion of the pulling eye is for the purpose of illustrating portions of the article and forms no part of the claimed design; FIG. 4 is a top view of the pulling eye according to the first embodiment, where the broken line showing of the head portion of the pulling eye is for the purpose of illustrating portions of the article and forms no part of the claimed design; FIG. 5 is a left side view of the pulling eye according to the first embodiment, where the broken line showing of the head portion of the pulling eye is for the purpose of illustrating portions of the article and forms no part of the claimed design; FIG. 6 is a front view of the pulling eye according to the first embodiment, where the broken line showing of the head portion of the pulling eye is for the purpose of illustrating portions of the article and forms no part of the claimed design; FIG. 7 is a rear view of the pulling eye according to the first embodiment, where the broken line showing of an aperture in the head portion of the pulling eye is for the purpose of illustrating portions of the article and forms no part of the claimed design; FIG. 8 is an exploded view of the pulling eye according to the first embodiment showing a first alternative for connecting the head portion of the pulling eye to a barrel portion of the pulling eye, where the broken line showings of the head portion of the pulling eye and a screw portion of the barrel portion of the pulling eye are for the purpose of illustrating portions of the article and form no part of the claimed design; FIG. 9 is an exploded view of the pulling eye according to the first embodiment showing a second alternative for connecting the head portion of the pulling eye to the barrel portion of the pulling eye, where the broken line showing of the head portion of the pulling eye is for the purpose of illustrating portions of the article and forms no part of the claimed design; FIG. 10 is a perspective view of a pulling eye according to a second embodiment, where the broken line showings of intersections of a diagonal marking and parallel markings of the pulling eye and a head portion of the pulling eye are for the purpose of illustrating portions of the article and form no part of the claimed design;

FIG. 11 is a right side view of the pulling eye according to the second embodiment, where the broken line showings of the intersections of the diagonal marking and the parallel markings of the pulling eye and the head portion of the pulling eye are for the purpose of illustrating portions of the article and form no part of the claimed design; FIG. 12 is a bottom view of the pulling eye according to the second embodiment, where the broken line showings of the intersections of the diagonal marking and the parallel markings of the pulling eye and the head portion of the pulling eye are for the purpose of illustrating portions of the article and form no part of the claimed design; FIG. 13 is a top view of the pulling eye according to the second embodiment, where the broken line showings of the intersections of the diagonal marking and the parallel markings of the pulling eye and the head portion of the pulling eye are for the purpose of illustrating portions of the article and form no part of the claimed design; FIG. 14 is an exploded view of the pulling eye according to the second embodiment showing a first alternative for connecting the head portion of the pulling eye to a barrel portion of the pulling eye, where the broken line showings of the intersection of the diagonal marking and the parallel marking of the pulling eye, the head portion of the pulling eye, and a screw portion of the barrel portion of the pulling eye are for the purpose of illustrating portions of the article and form no part of the claimed design; and, FIG. 15 is an exploded view of the pulling eye according to the second embodiment showing a second alternative for connecting the head portion of the pulling eye to the barrel portion of the pulling eye, where the broken line showings of the intersection of the diagonal marking and the parallel marking of the pulling eye and the head portion of the pulling eye are for the purpose of illustrating portions of the article and form no part of the claimed design; The left side view of the pulling eye according to the second embodiment is not shown, as it is identical to the left side view of the pulling eye according to the first embodiment shown in FIG. 5. The front view and rear view of the pulling eye according to the second embodiment are not shown, as they are identical to the front view and rear view of the pulling eye according to the first embodiment shown in FIGS. 6 and 7, respectively.

1 Claim, 9 Drawing Sheets

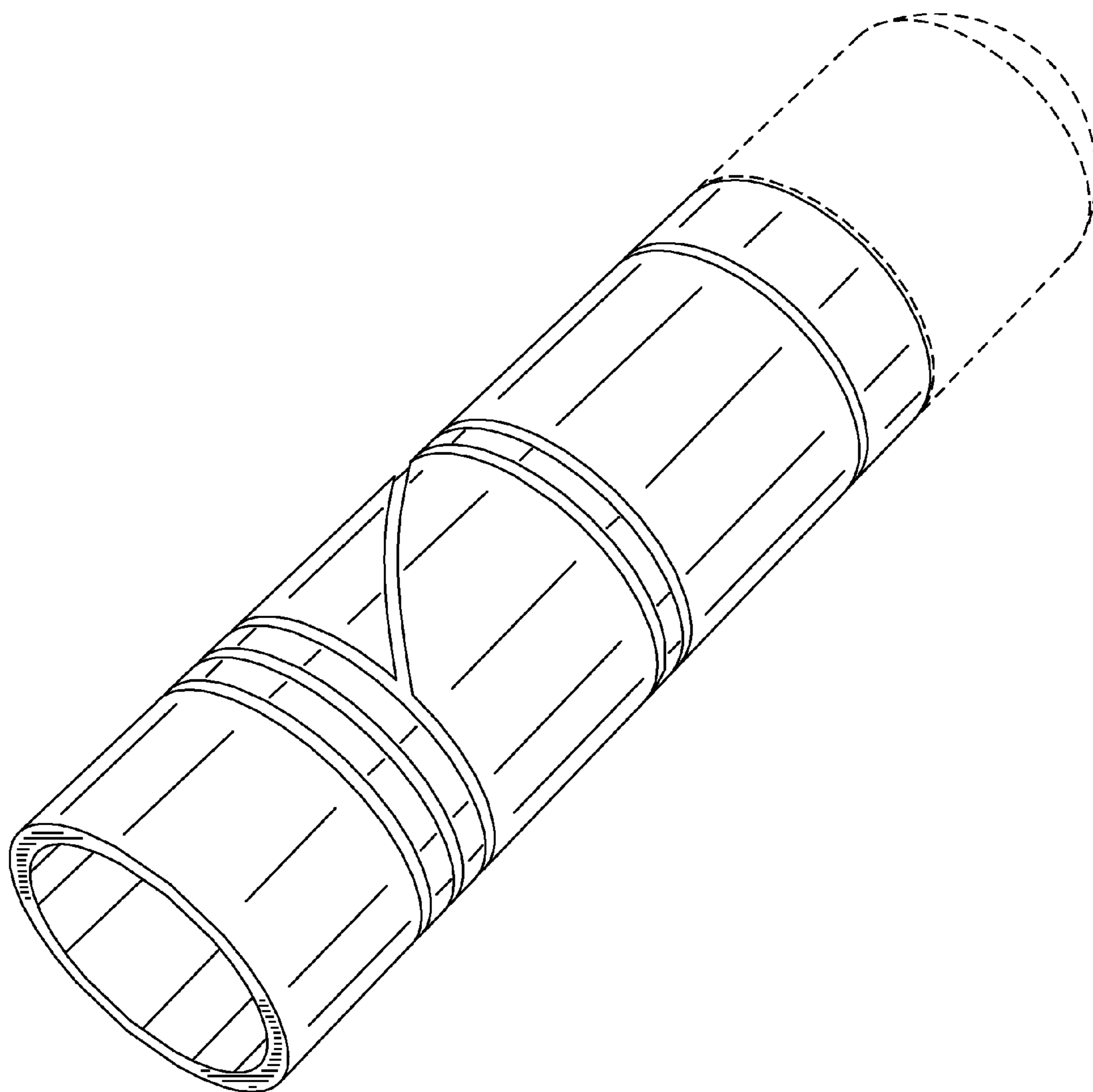


FIG. 1

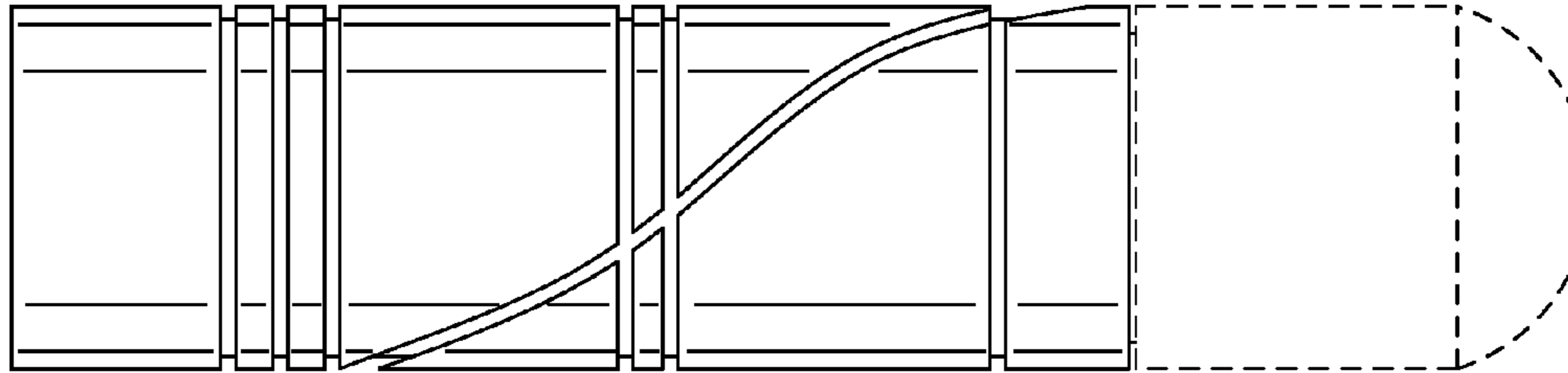


FIG. 2

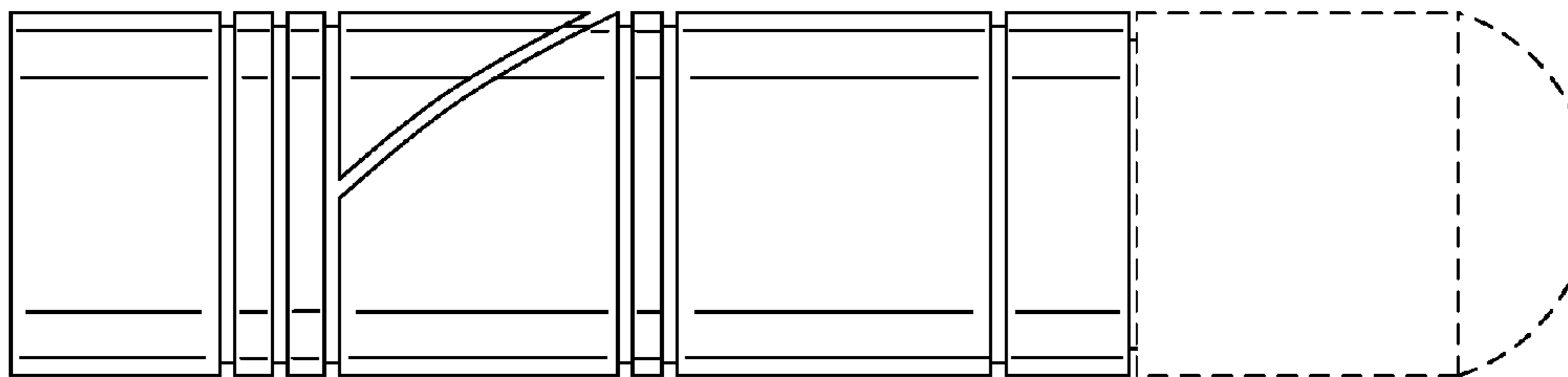


FIG. 3

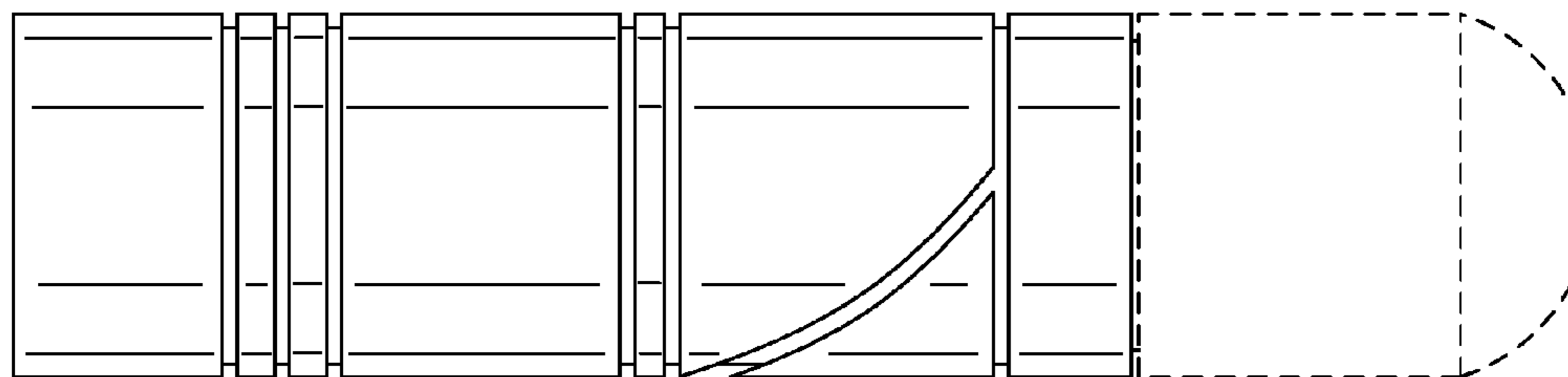


FIG. 4

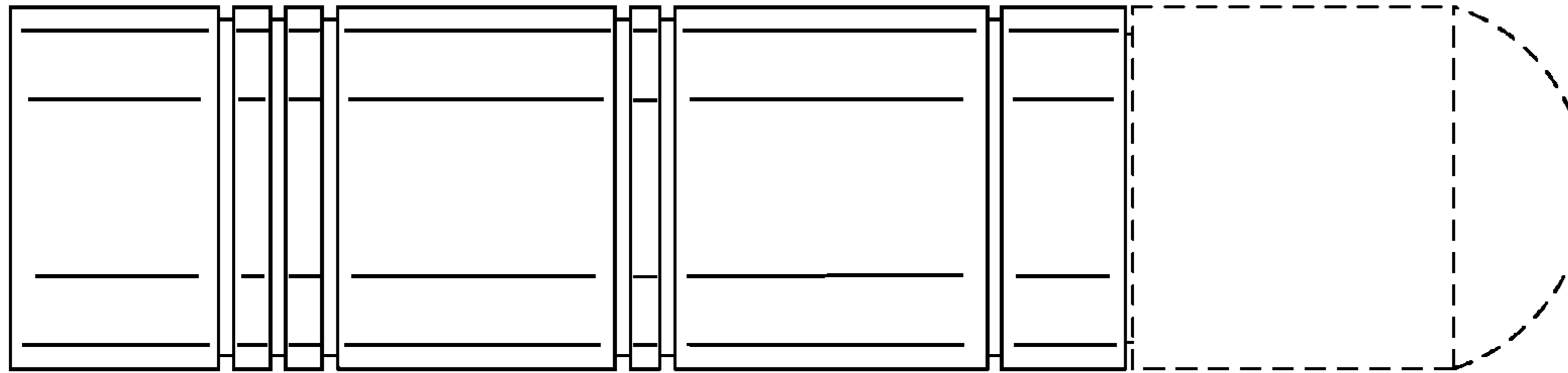


FIG. 5

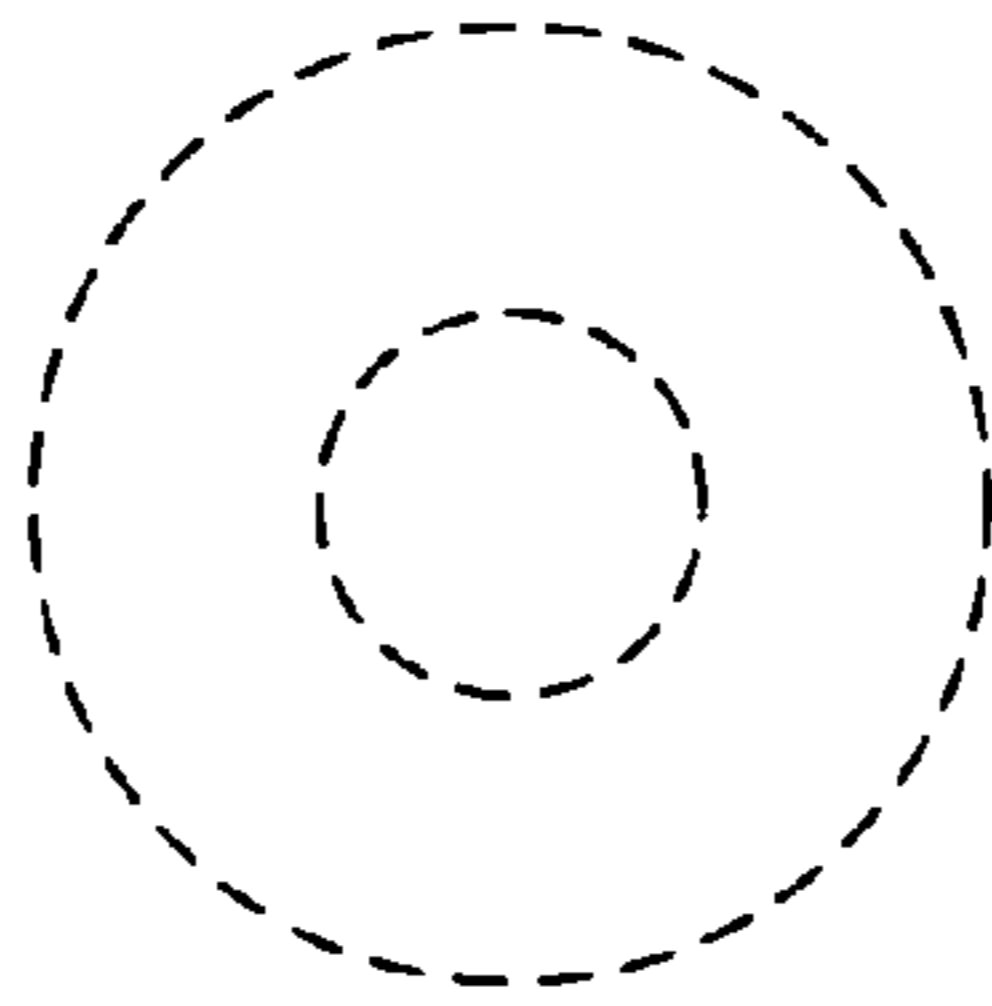


FIG. 6

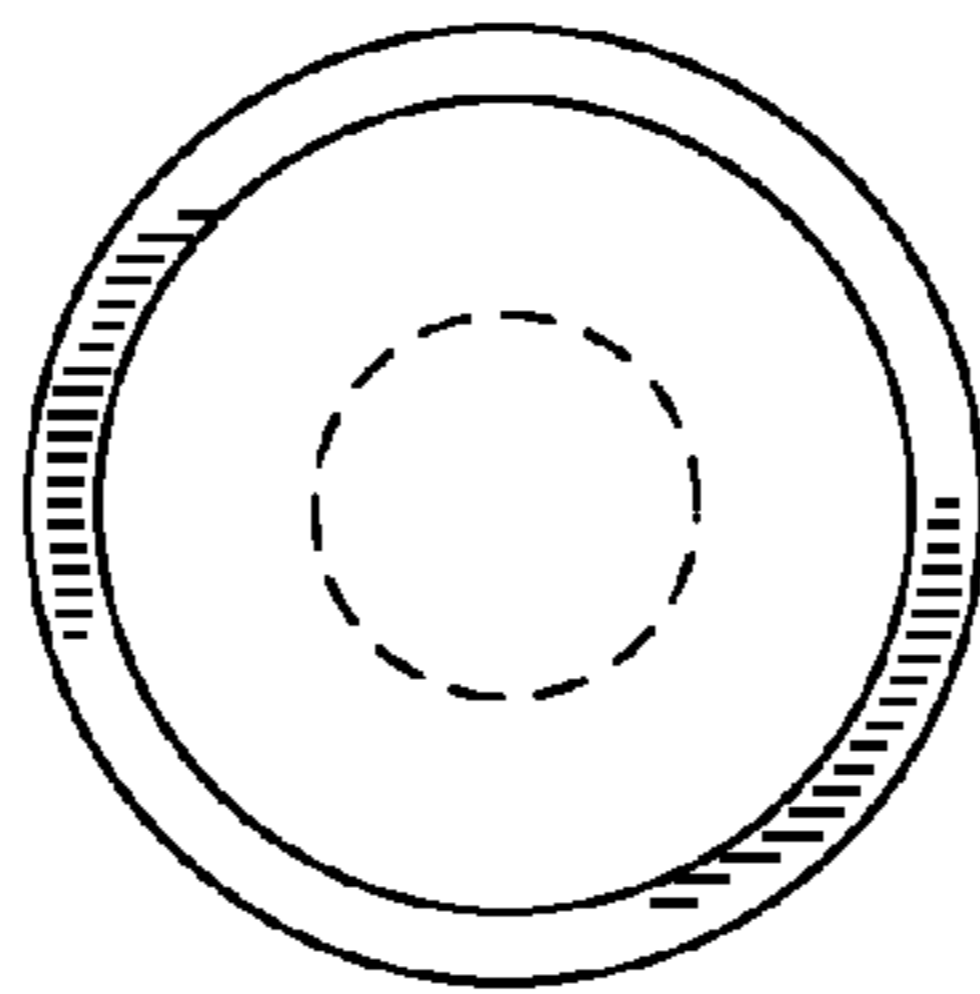


FIG. 7

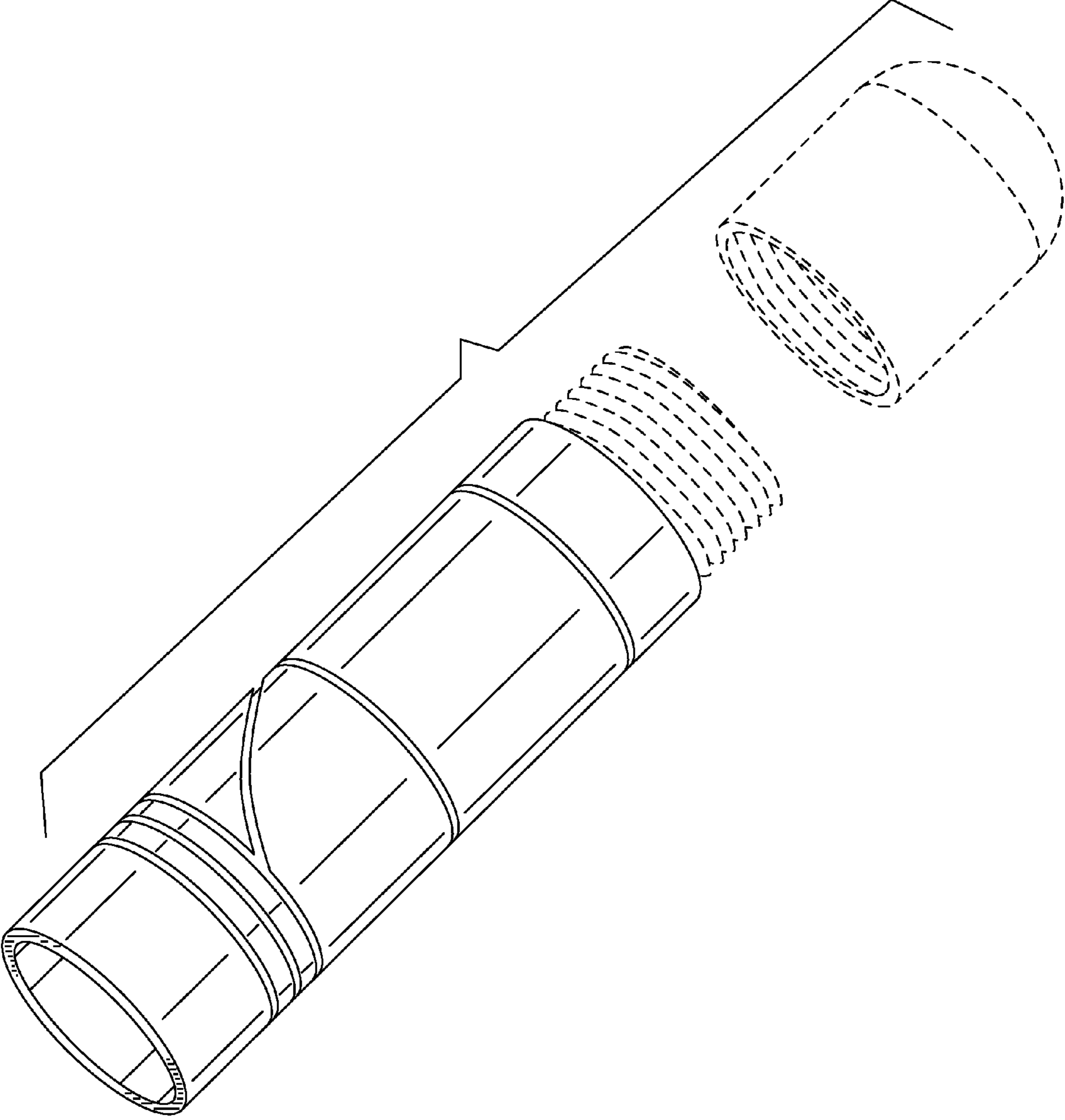


FIG. 8

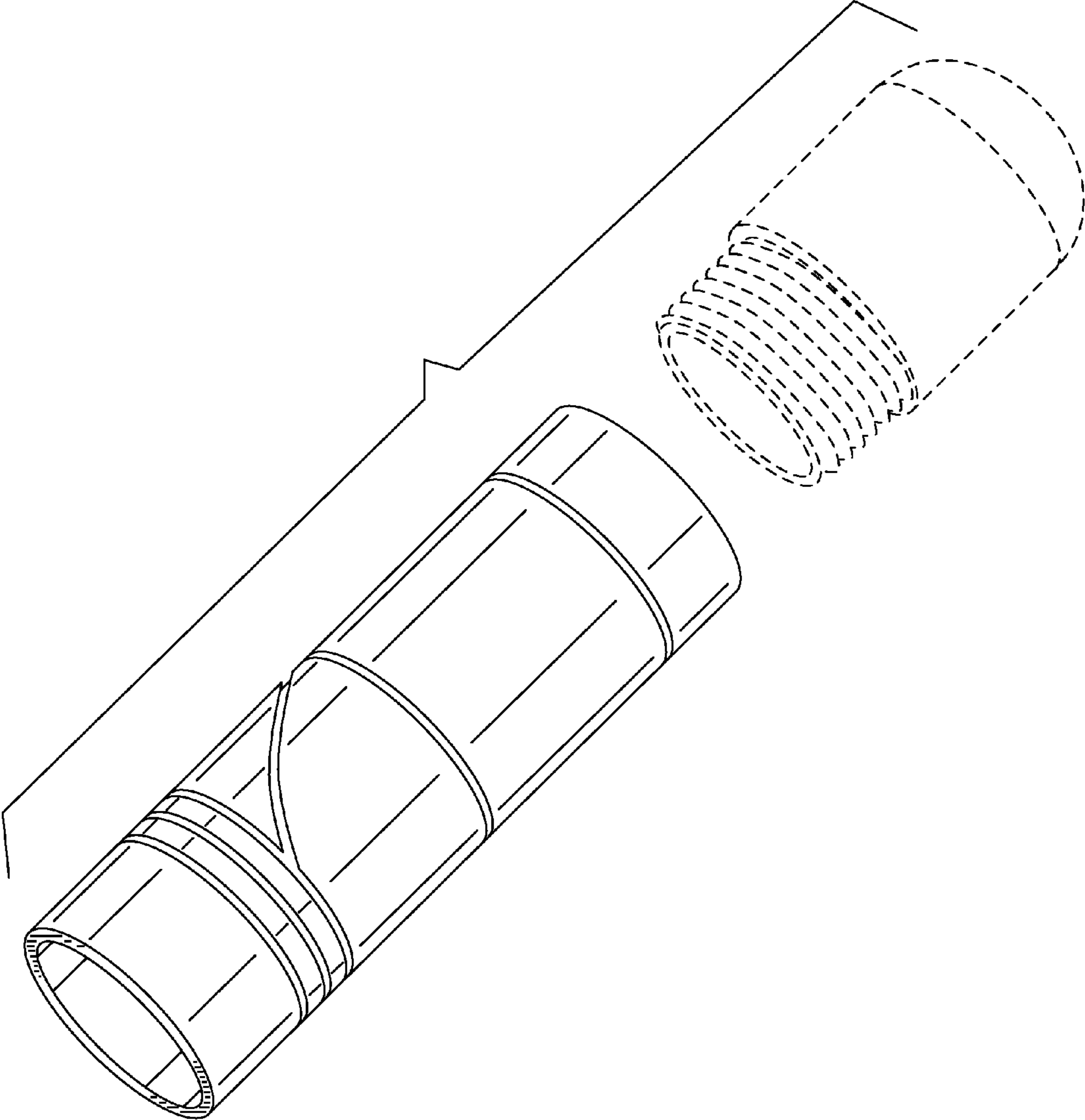


FIG. 9

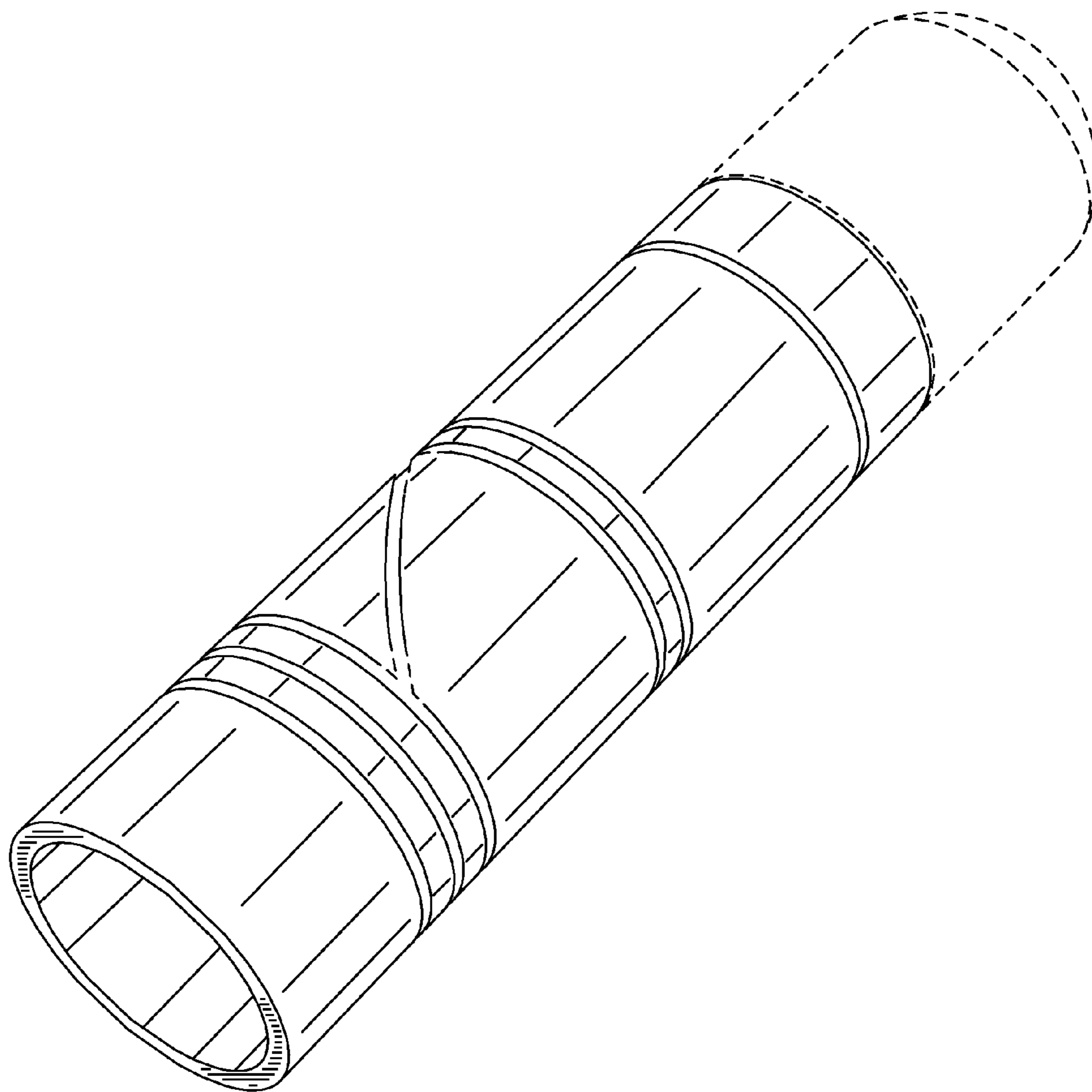


FIG. 10

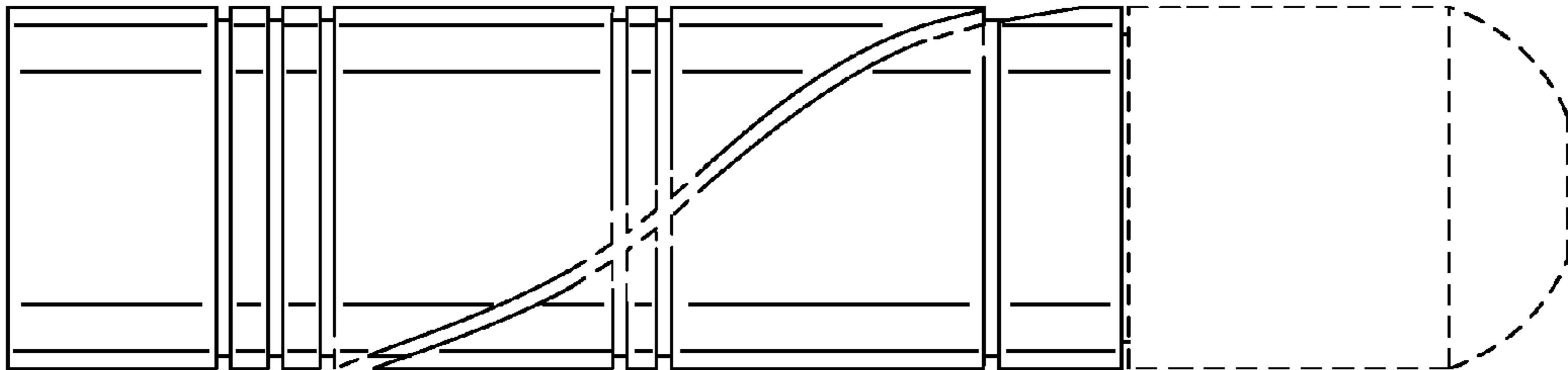


FIG. 11

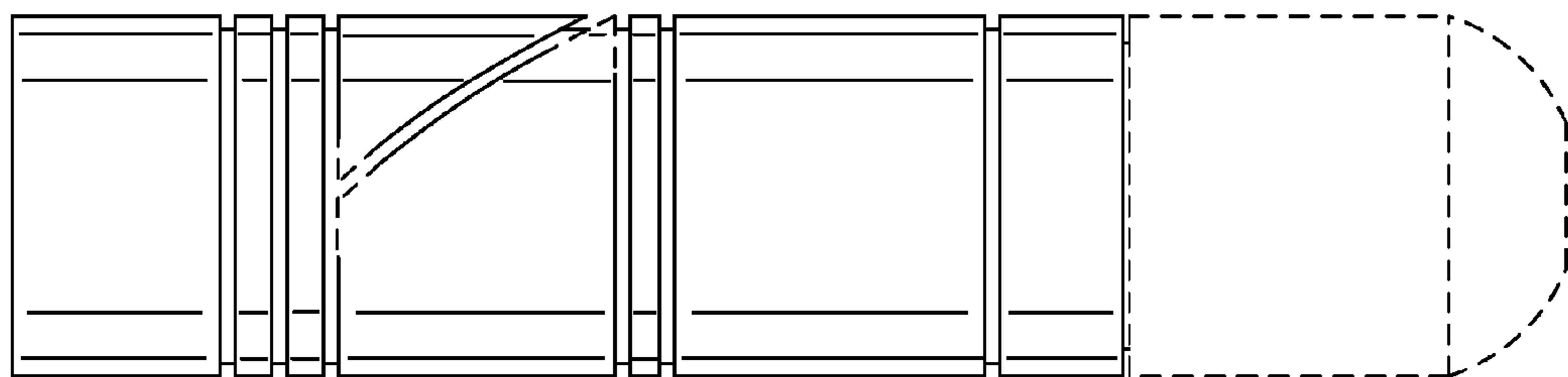


FIG. 12

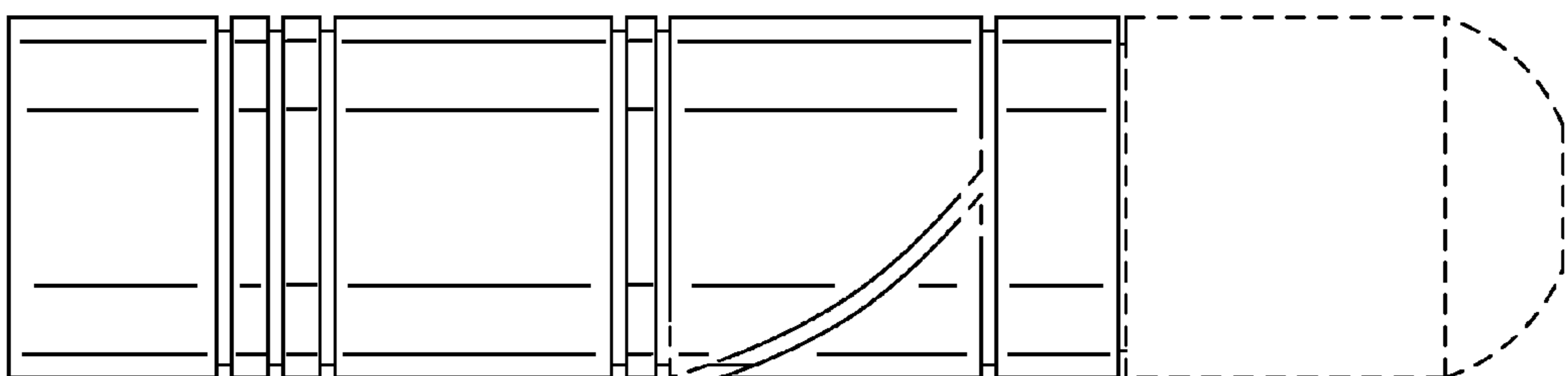


FIG. 13

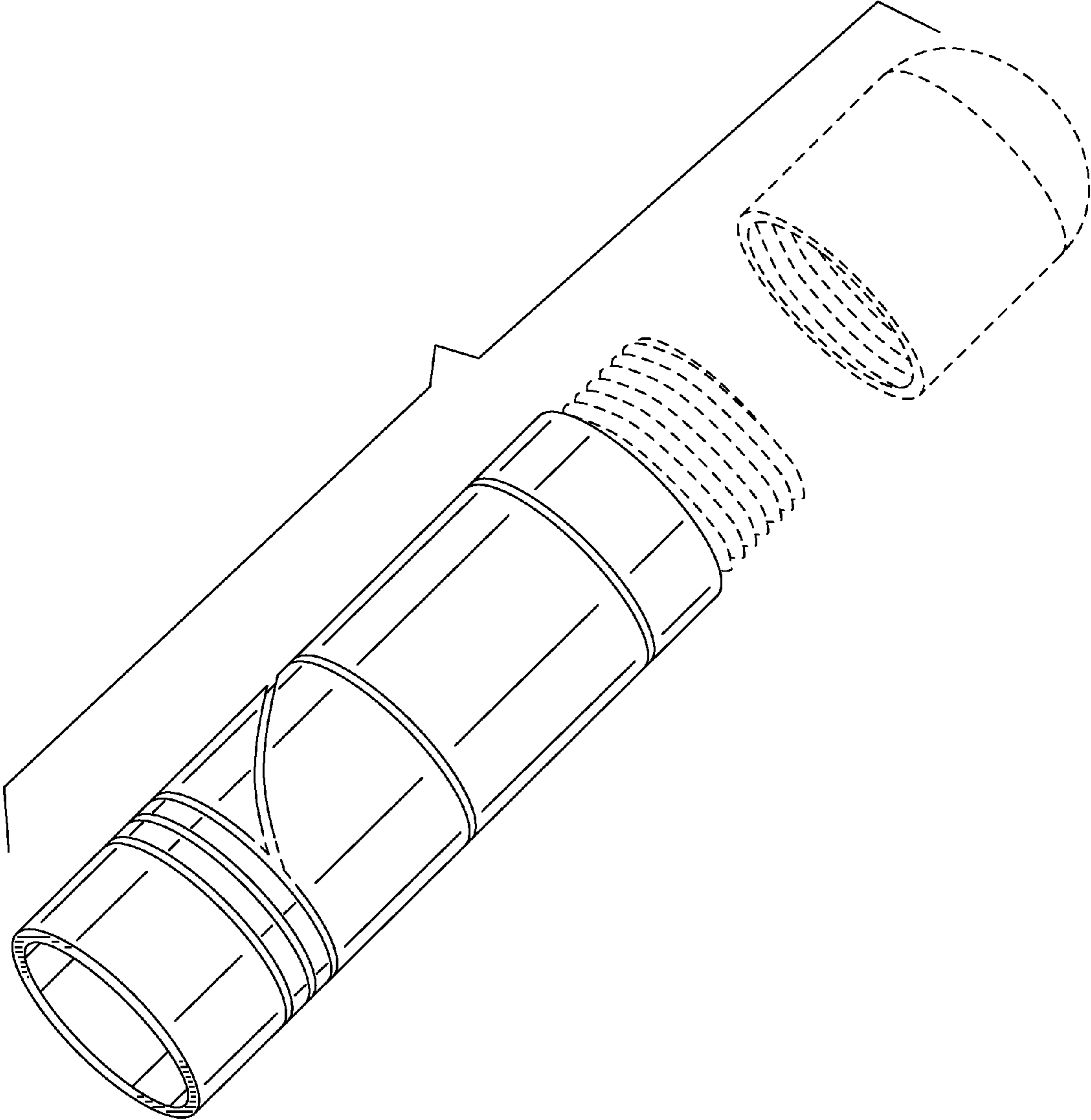


FIG. 14

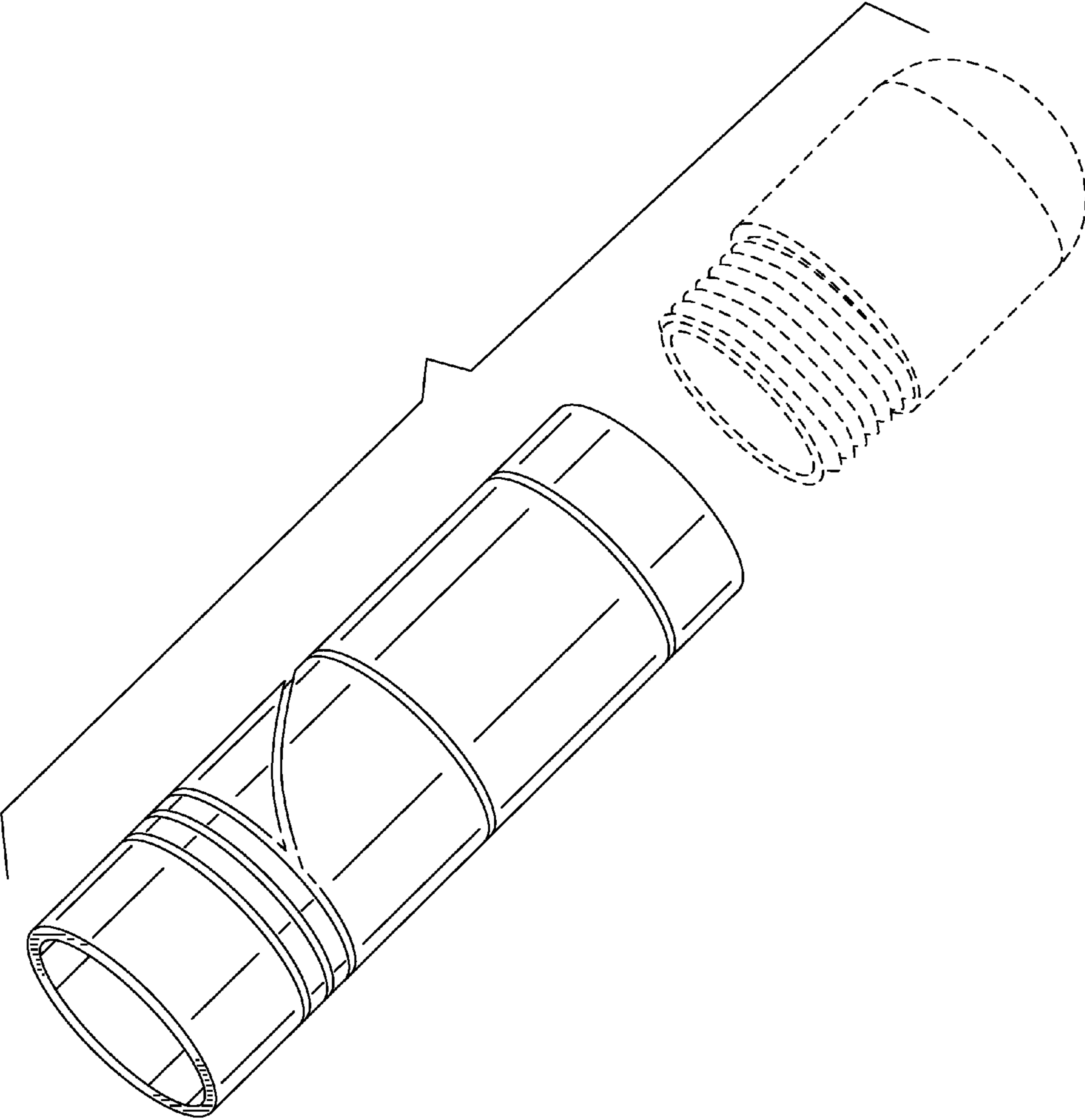


FIG. 15