



US00D635442S

(12) **United States Design Patent**
Roberts, III et al.

(10) **Patent No.:** **US D635,442 S**

(45) **Date of Patent:** **** Apr. 5, 2011**

(54) **DECORATIVE ROSE**

(75) Inventors: **Rockwood Theodore Roberts, III**,
Carmel, IN (US); **Christopher George**
DeSchamp, Noblesville, IN (US)

(73) Assignee: **Schlage Lock Company**, Carmel, IN
(US)

(**) Term: **14 Years**

(21) Appl. No.: **29/368,089**

(22) Filed: **Aug. 18, 2010**

(51) **LOC (9) Cl.** **11-05**

(52) **U.S. Cl.** **D8/352; D8/330**

(58) **Field of Classification Search** D8/350–353,
D8/330, 331, 346, 302, 341, 343, 338; D23/254,
D23/249; 174/66; 292/347, 357, DIG. 37;
70/271, 277, 278.1, 284, 278.4, 285, 450;
340/5.21, 5.54, 5.65, 5.73, 5.81, 5.85
See application file for complete search history.

(56) **References Cited**

U.S. PATENT DOCUMENTS

D164,606 S *	9/1951	Schlage	D8/352
D212,905 S *	12/1968	Clayton	D8/352
D227,856 S *	7/1973	Tegner	D8/352
D263,989 S *	4/1982	Fleischmann et al.	D23/252
D263,990 S *	4/1982	Fleischmann et al.	D23/252
D305,863 S *	2/1990	Gresens et al.	D8/352
5,026,012 A *	6/1991	Wang	248/222.14
D321,468 S *	11/1991	Reid	D8/352
D403,750 S *	1/1999	Fabian	D23/254

D453,897 S *	2/2002	LaPlume et al.	D8/301
D454,049 S *	3/2002	LaPlume et al.	D8/301
D461,985 S *	8/2002	Fuchs	D6/550
D463,968 S *	10/2002	LaPlume et al.	D8/352
D503,082 S *	3/2005	Denoual	D8/301
D522,353 S *	6/2006	Wengrower	D8/352
D554,974 S *	11/2007	Huang	D8/352

* cited by examiner

Primary Examiner — Mark A Goodwin

(74) *Attorney, Agent, or Firm* — Michael Best & Friedrich
LLP

(57) **CLAIM**

The ornamental design for a decorative rose, as shown and
described.

DESCRIPTION

FIG. 1 is a perspective view of a decorative rose embodying
the invention.

FIG. 2 is a front elevational view of the decorative rose shown
in FIG. 1.

FIG. 3 is a top plan view of the decorative rose shown in FIG.
1.

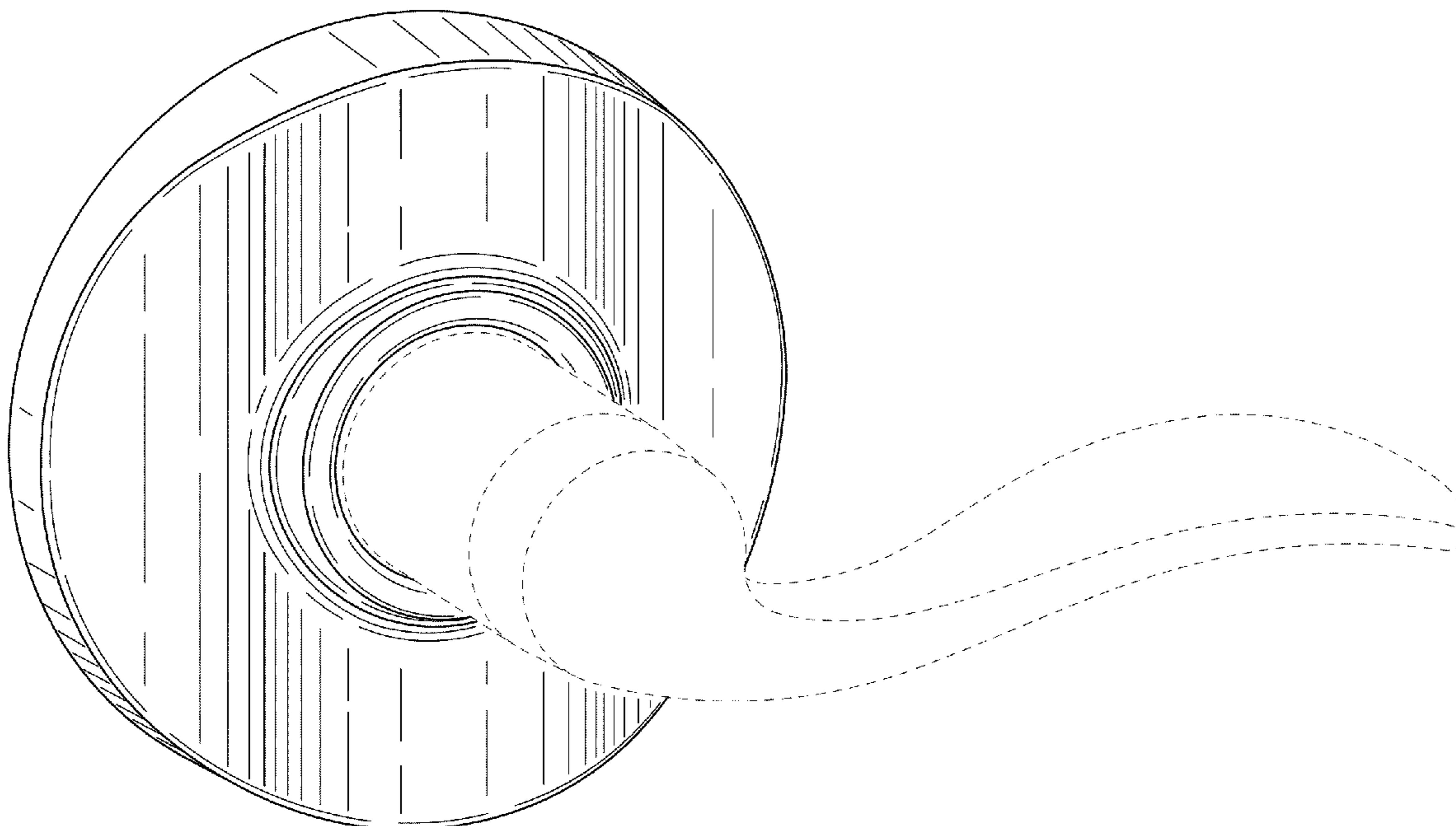
FIG. 4 is a bottom plan view of the decorative rose shown in
FIG. 1.

FIG. 5 is a left side elevational view of the decorative rose
shown in FIG. 1; and,

FIG. 6 is a right side elevational view of the decorative rose
shown in FIG. 1.

The rear view is not part of the claimed design. The broken
line showing is for illustrative purposes only and forms no
part of the claimed design.

1 Claim, 3 Drawing Sheets



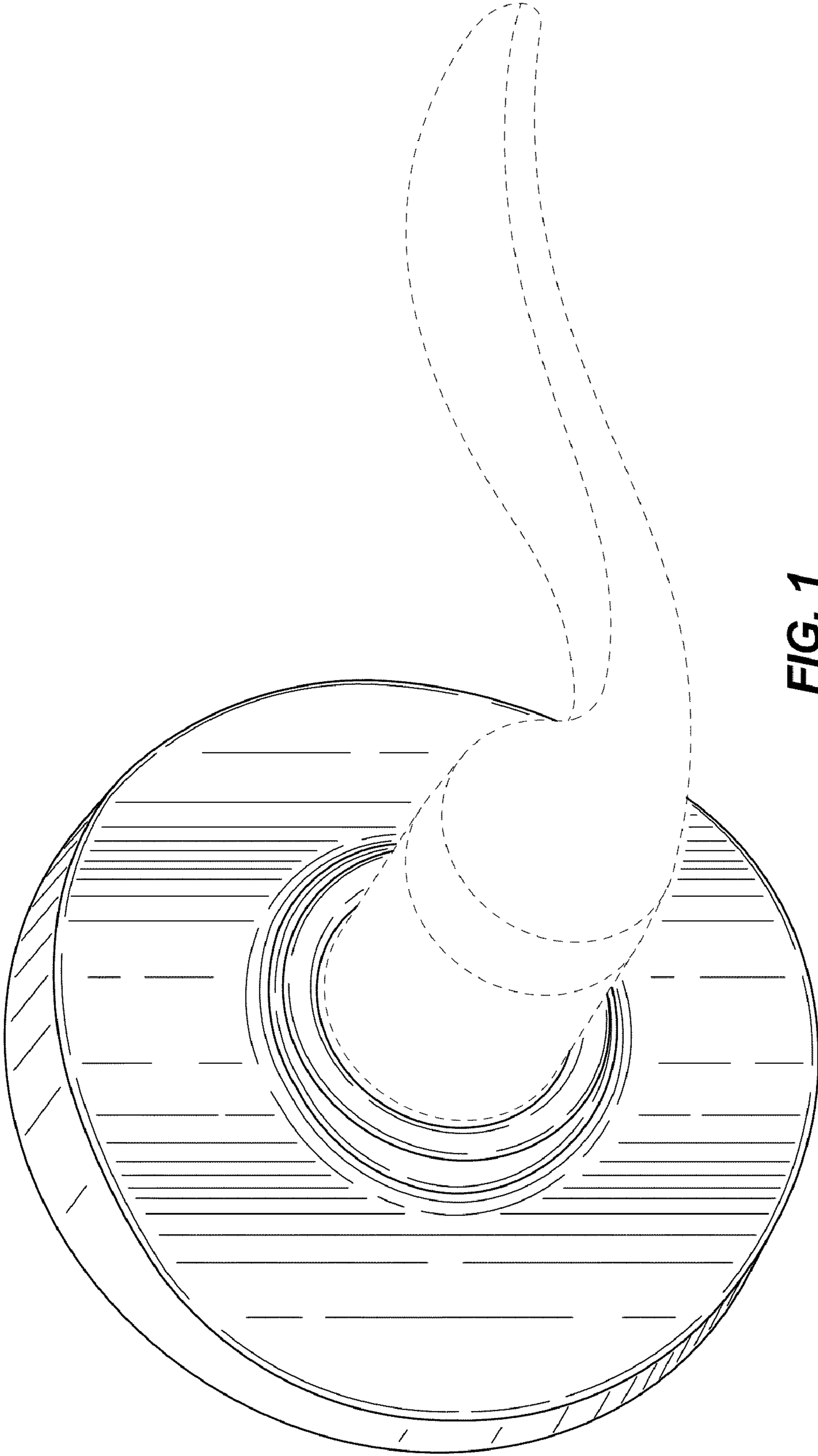


FIG. 1

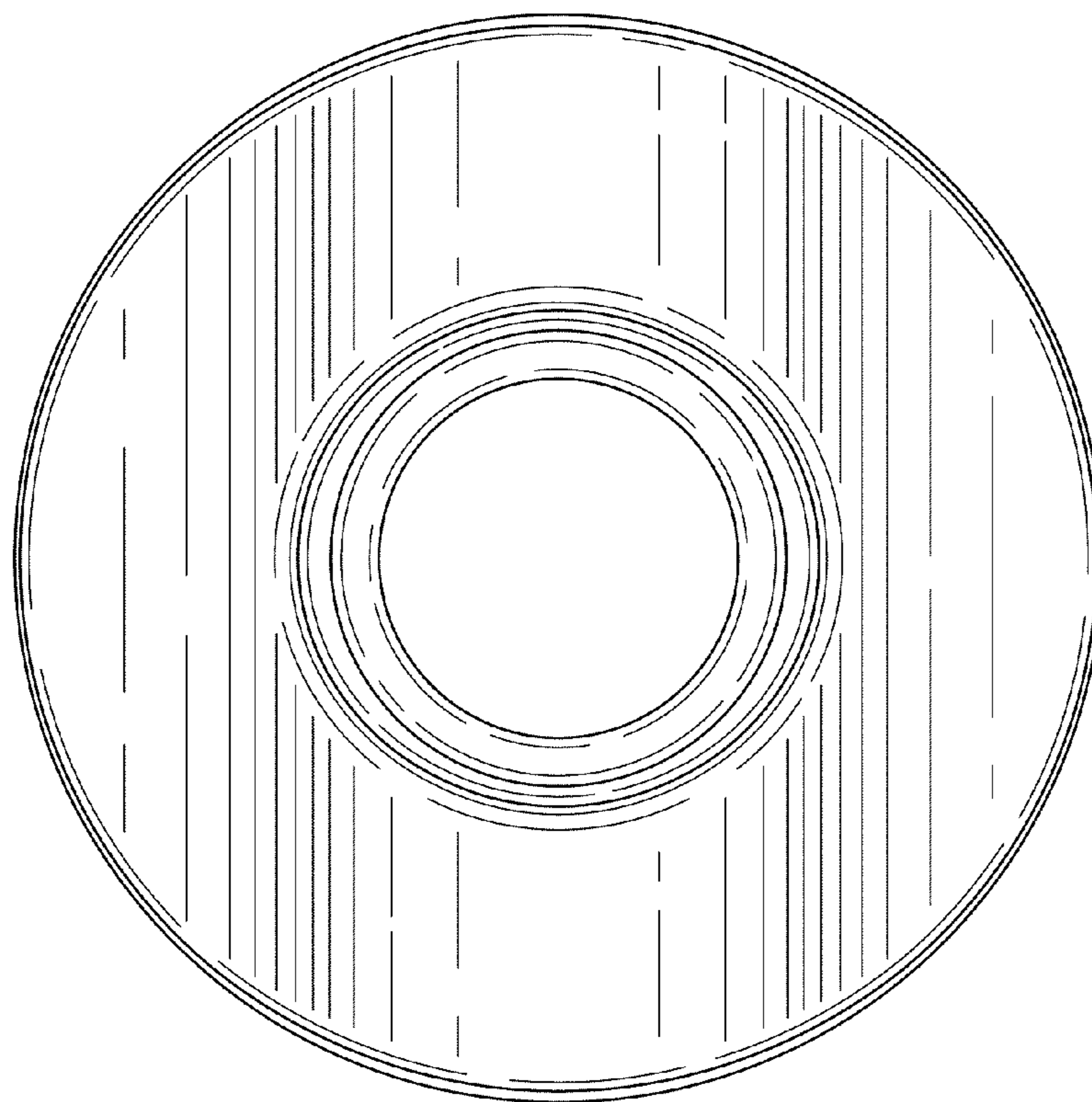


FIG. 2

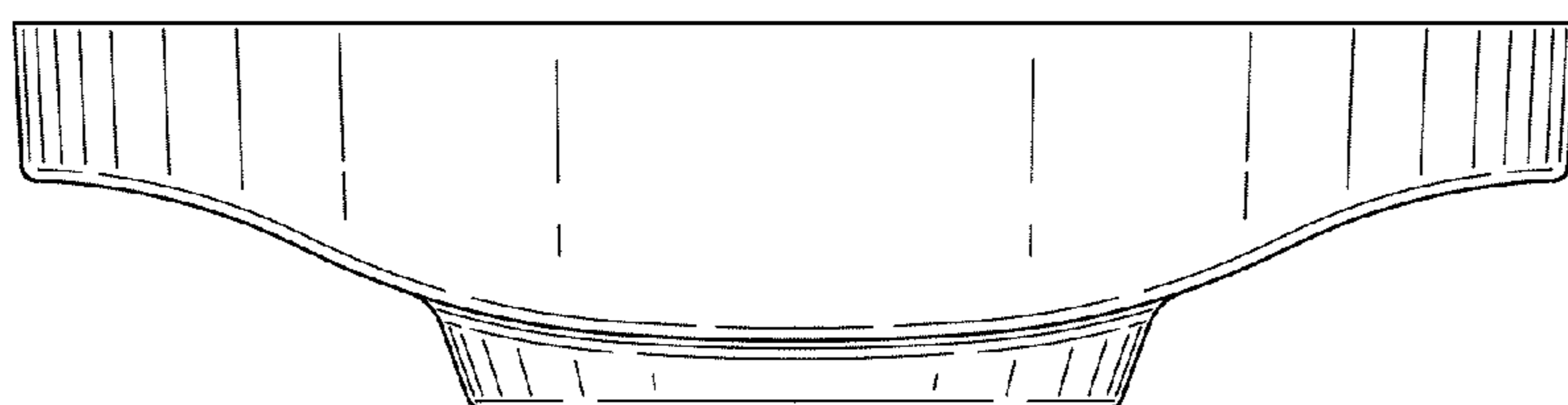


FIG. 3

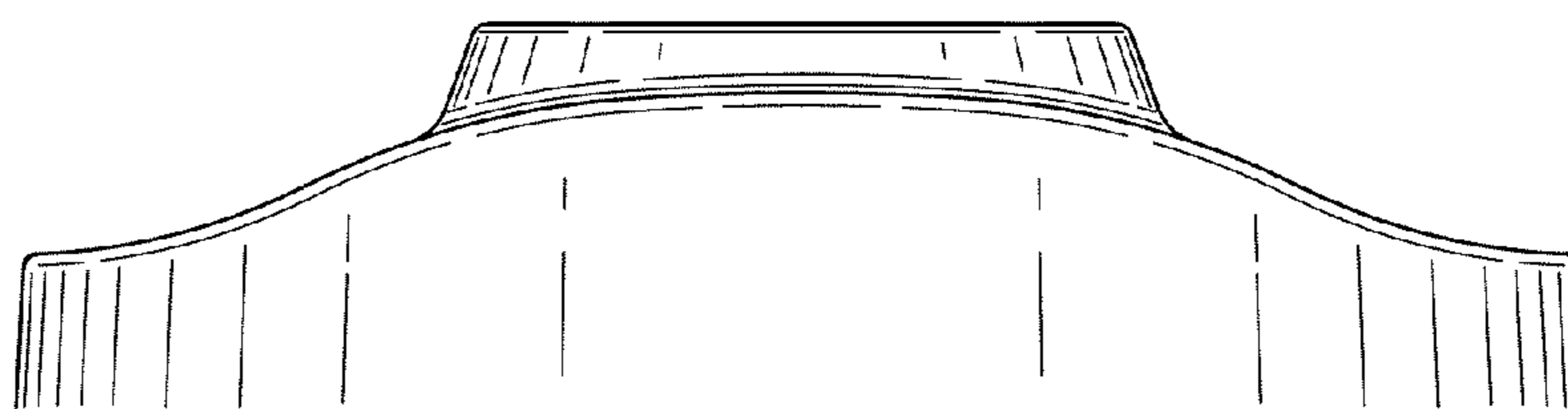


FIG. 4

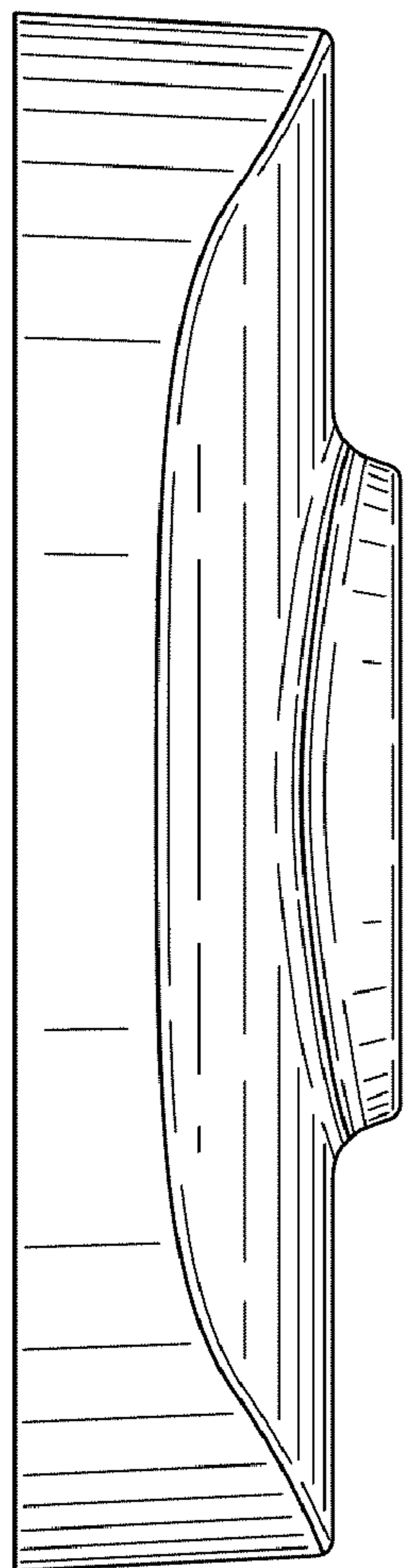


FIG. 5

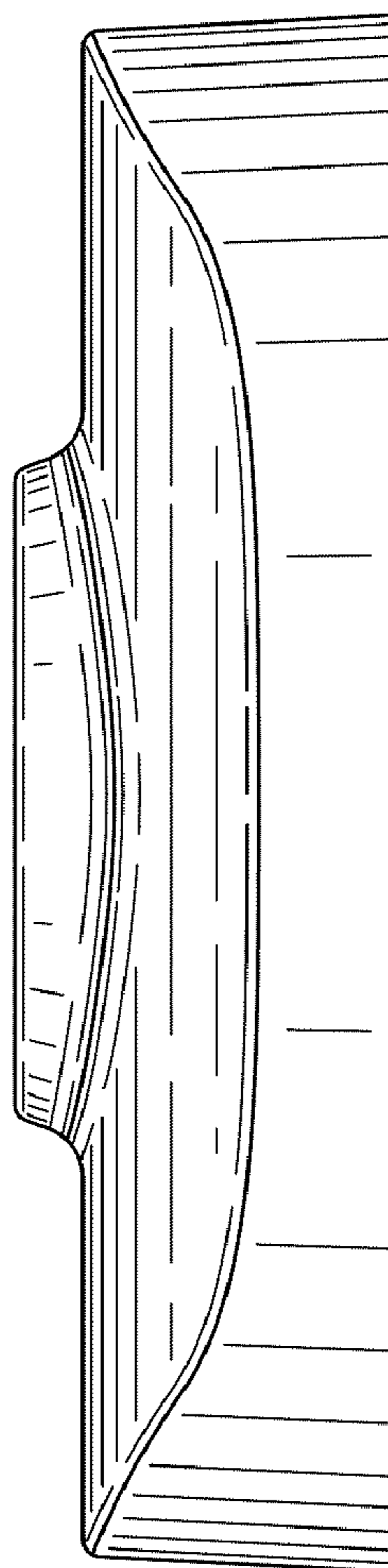


FIG. 6