



US00D635437S

(12) **United States Design Patent**
Barton

(10) **Patent No.:** **US D635,437 S**

(45) **Date of Patent:** **** Apr. 5, 2011**

- (54) **WINDOW LOCK**
- (75) Inventor: **Michael Barton**, Orting, WA (US)
- (73) Assignee: **Milgard Manufacturing Incorporated**, Tacoma, WA (US)
- (**) Term: **14 Years**
- (21) Appl. No.: **29/380,034**
- (22) Filed: **Nov. 30, 2010**
- (51) **LOC (9) Cl.** **08-07**
- (52) **U.S. Cl.** **D8/331**
- (58) **Field of Classification Search** D8/330, D8/331, 333, 337, 341, 342, 346, 349; 70/69, 70/77, 141, 164, 202, 207, 431, 466, 51, 70/52, 101, 106, 158; 292/307 R, 317-319, 292/358, 359; 294/82.1, 82.17, 82.19
See application file for complete search history.

4,441,835 A	4/1984	Davis	
4,555,829 A	12/1985	Davis	
4,582,435 A	4/1986	Davis	
4,589,163 A *	5/1986	Weatherby et al.	16/443
4,699,406 A	10/1987	Swanson, Jr.	
D293,548 S	1/1988	Bates et al.	
D293,765 S	1/1988	Miles et al.	
D295,019 S	4/1988	Bocson	
D295,948 S	5/1988	Mandell	
4,826,222 A	5/1989	Davis	
4,968,072 A	11/1990	Taylor et al.	
5,011,202 A *	4/1991	Kato et al.	292/336.3
5,090,754 A	2/1992	Thompson	
5,139,291 A	8/1992	Schultz	
5,161,839 A	11/1992	Piltingsrud et al.	
5,413,391 A *	5/1995	Clavin et al.	292/170
D395,222 S *	6/1998	Fontaine	D8/331
6,173,592 B1 *	1/2001	Yu	70/69

(Continued)

Primary Examiner — Prabhakar Deshmukh
(74) *Attorney, Agent, or Firm* — Nirav D. Parikh; Edgar A. Zarins; Lora J. Graentzdoerffer

(56) **References Cited**

U.S. PATENT DOCUMENTS

151,529 A	6/1874	Baker
466,184 A	12/1891	Pumyea
939,480 A	11/1909	Deggim
1,058,584 A	4/1913	Hendricks
1,280,993 A	10/1918	Hammer
1,654,221 A	12/1927	Kline
1,728,276 A	9/1929	Hoyt
2,140,890 A	12/1938	Waitekaites
2,217,248 A	10/1940	Ferruggia
2,503,370 A	4/1950	Zanona
2,560,274 A	7/1951	Cantello
2,802,682 A	8/1957	Eckevort
2,950,137 A	8/1960	Check
3,082,617 A	3/1963	Kerman
3,939,529 A	2/1976	Davis
3,984,136 A	10/1976	Bills
4,102,012 A	7/1978	Davis
4,226,002 A	10/1980	Davis
4,259,811 A	4/1981	Davis

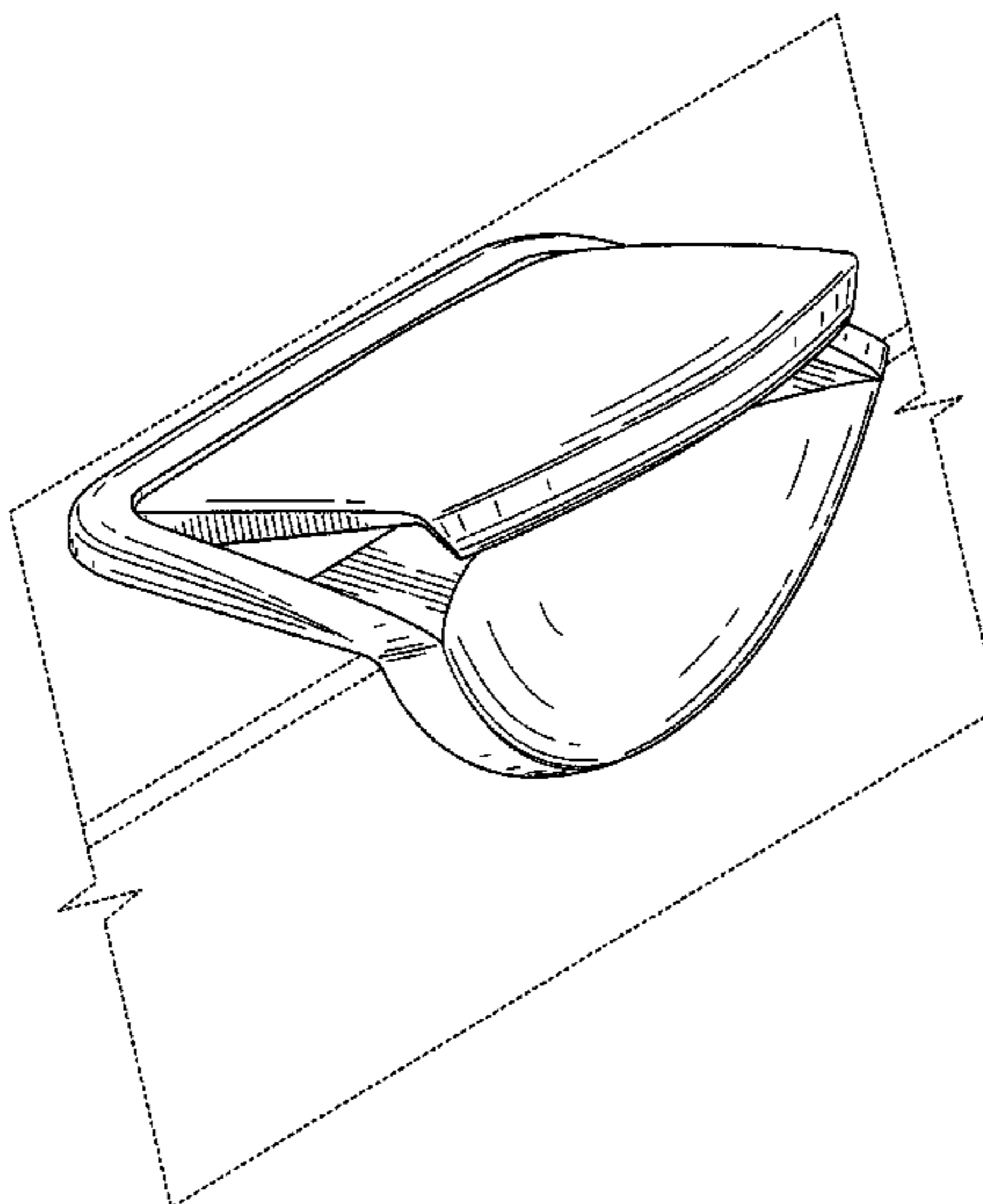
(57) **CLAIM**

The ornamental design for a window lock, as shown and described.

DESCRIPTION

FIG. 1 is a first perspective view of a window lock in a closed configuration in accordance with my design; FIG. 2 is a front elevational view thereof; FIG. 3 is a rear elevational view thereof; FIG. 4 is a top plan view thereof; FIG. 5 is a bottom plan view thereof; FIG. 6 is a right side elevational view thereof; FIG. 7 is a left side elevational view thereof; and, FIG. 8 is a second perspective view of a window lock as shown in FIG. 1 in an open configuration. The broken lines are for illustrative purposes only and form no part of the claimed design.

1 Claim, 7 Drawing Sheets



US D635,437 S

Page 2

U.S. PATENT DOCUMENTS

D483,649 S	*	12/2003	Linford et al.	D8/339	D560,112 S		1/2008	Baczuk et al.	
D519,824 S	*	5/2006	Collings et al.	D8/331	D573,441 S	*	7/2008	Johnson et al.	D8/330
D532,675 S	*	11/2006	Weinerman et al.	D8/331	D579,314 S	*	10/2008	Tozer et al.	D8/331
D558,024 S		12/2007	Tremble et al.		D620,340 S	*	7/2010	Liljeqvist et al.	D8/330
D559,078 S		1/2008	Baczuk et al.		D627,621 S	*	11/2010	Liljeqvist et al.	D8/330

* cited by examiner

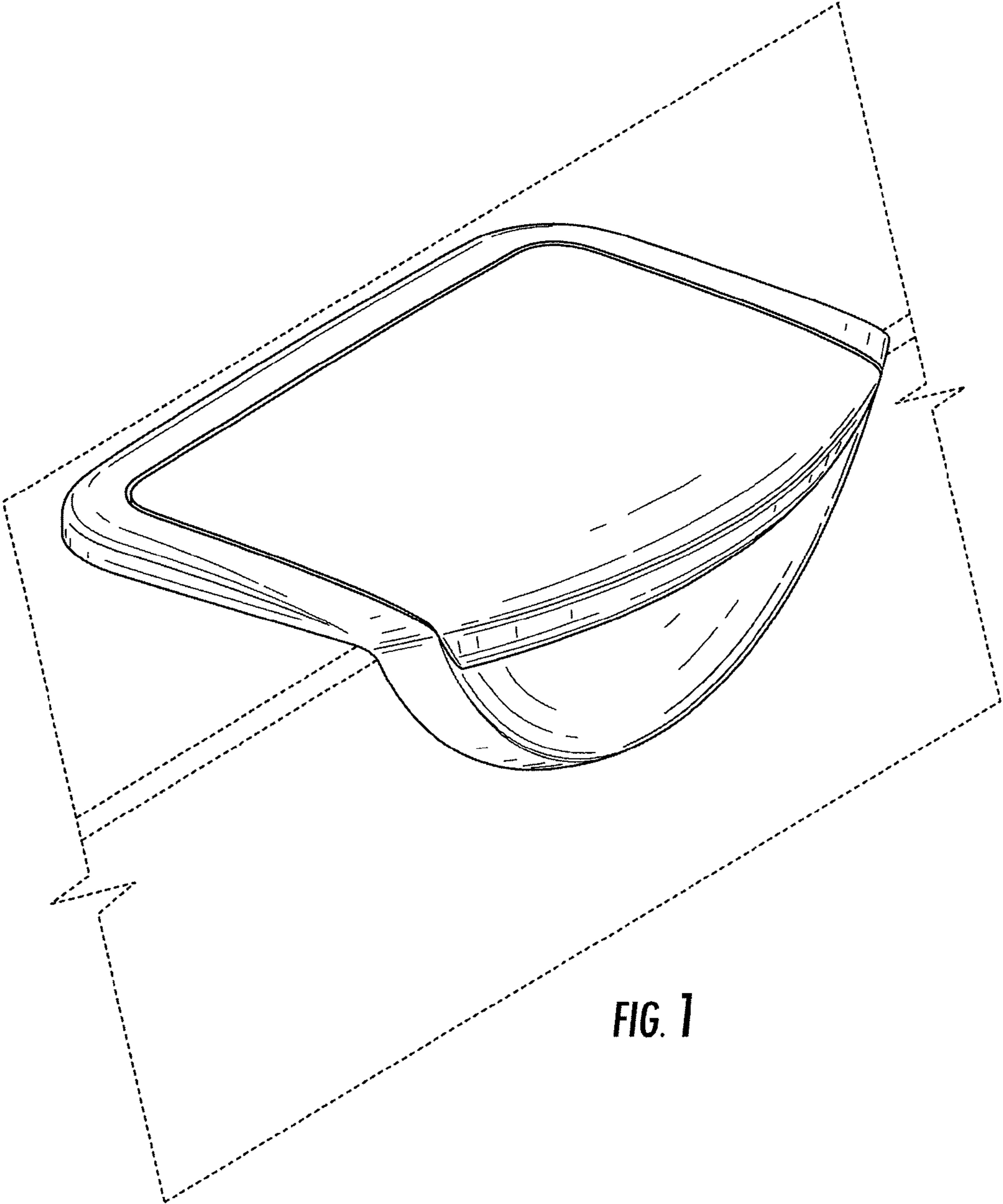


FIG. 1

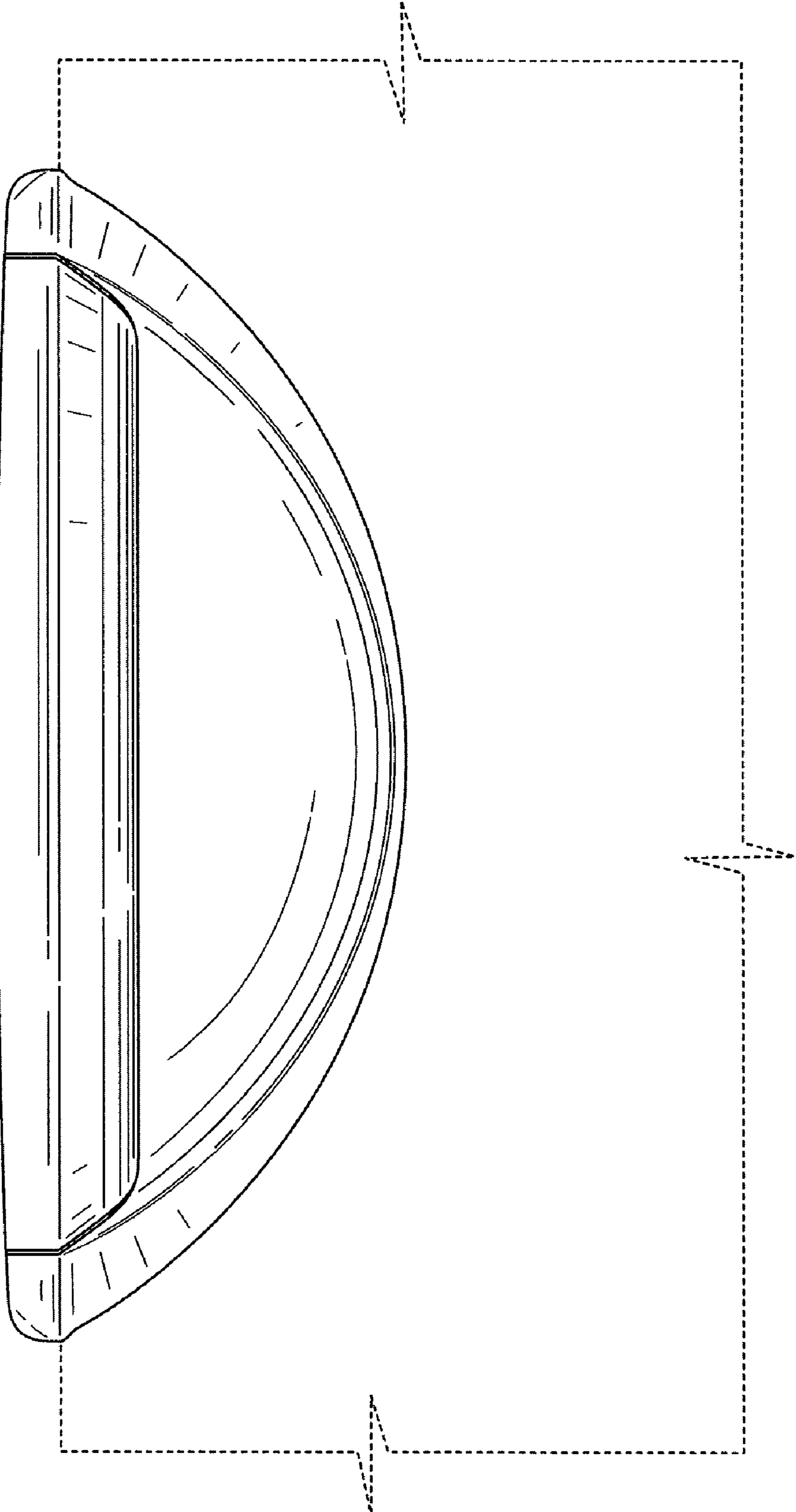


FIG. 2

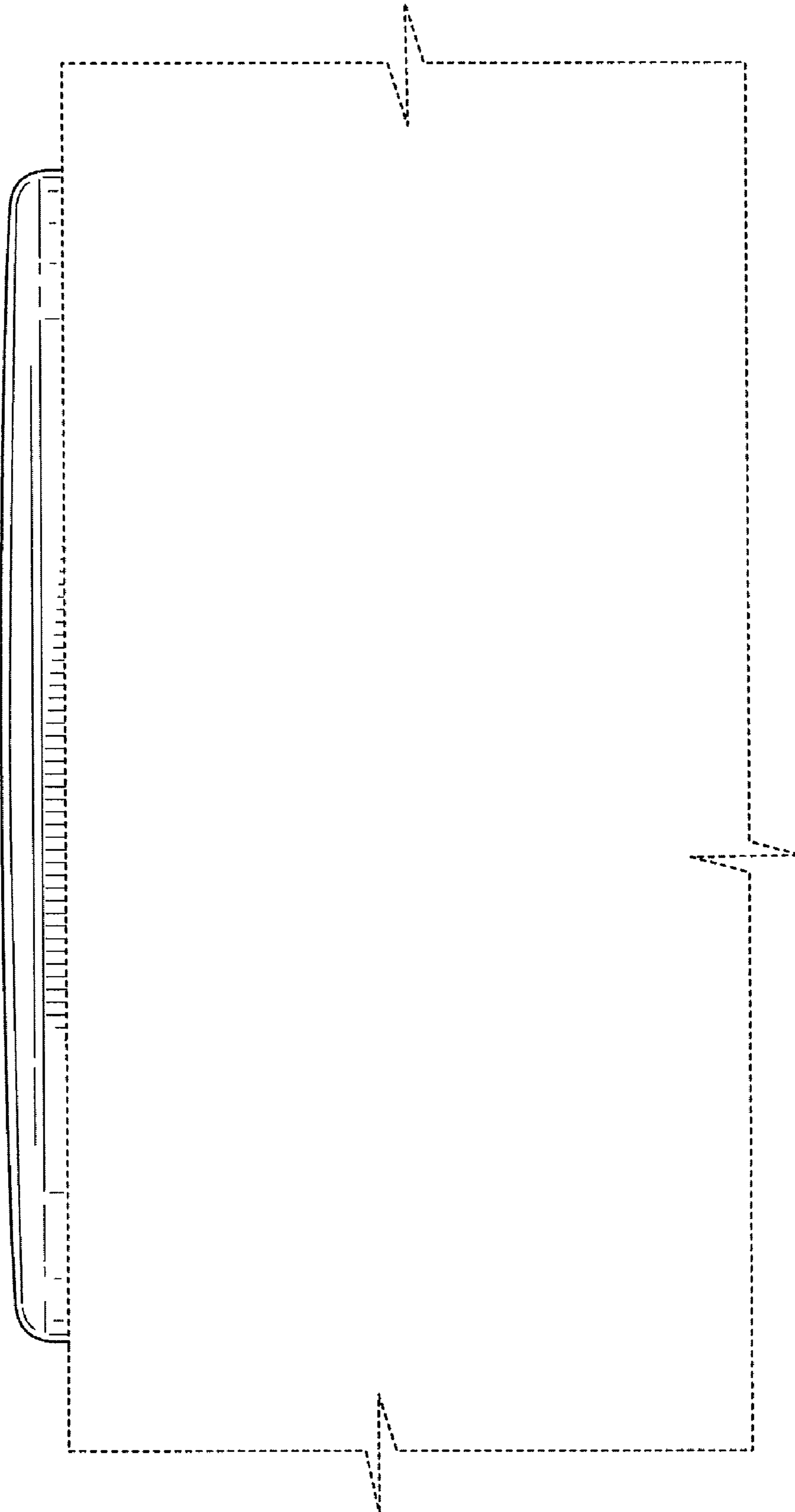


FIG. 3

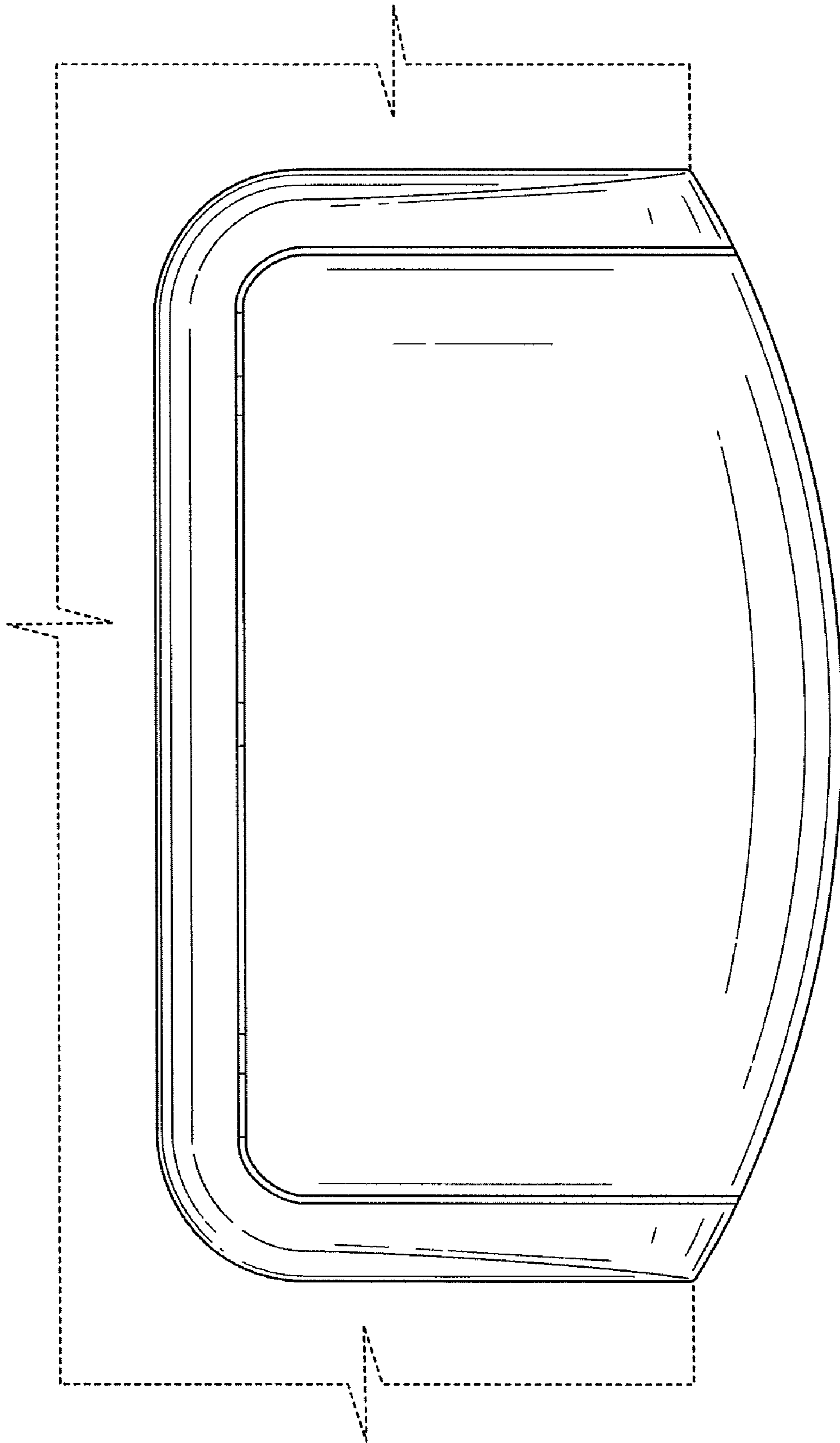


FIG. 4

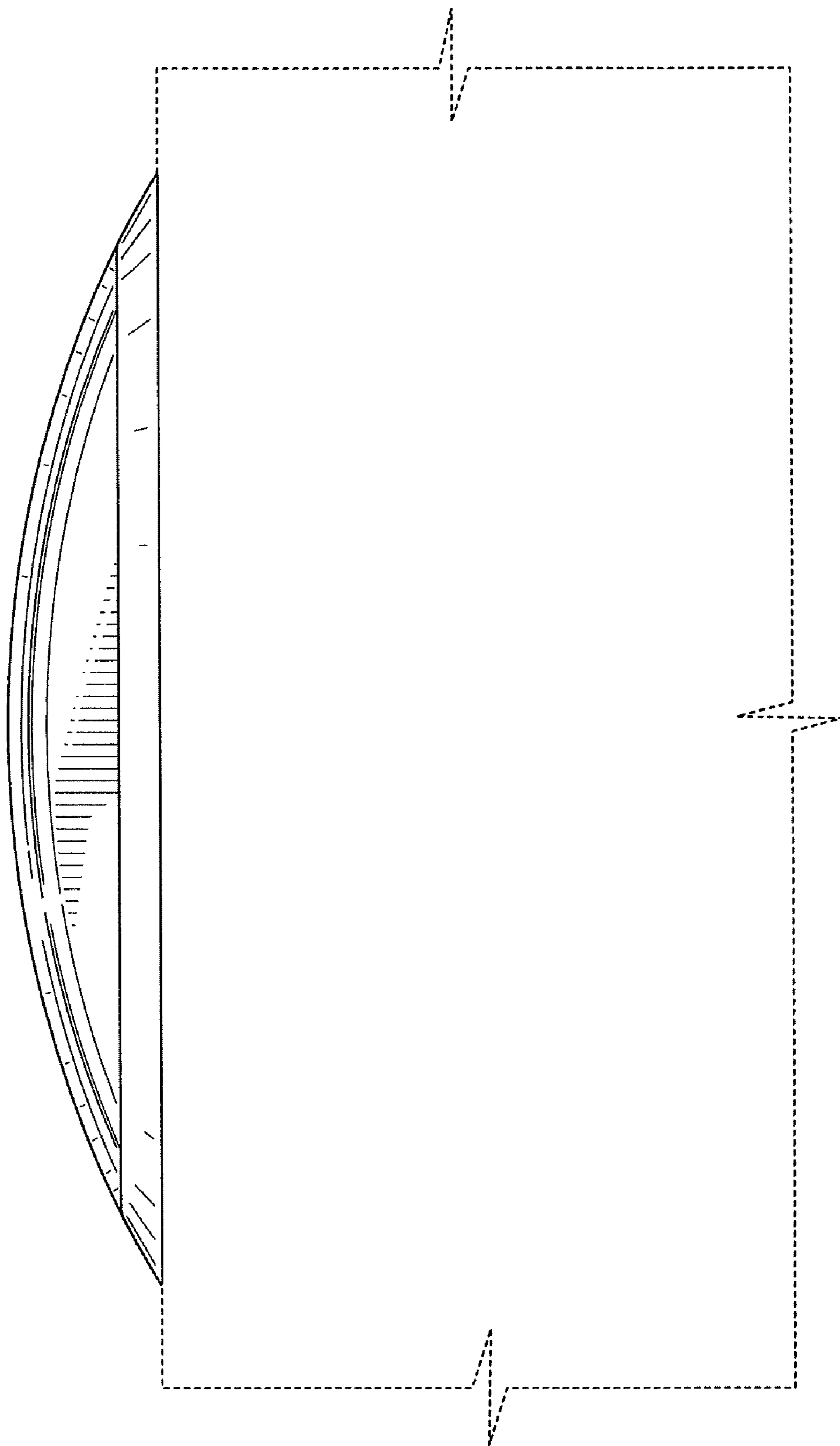
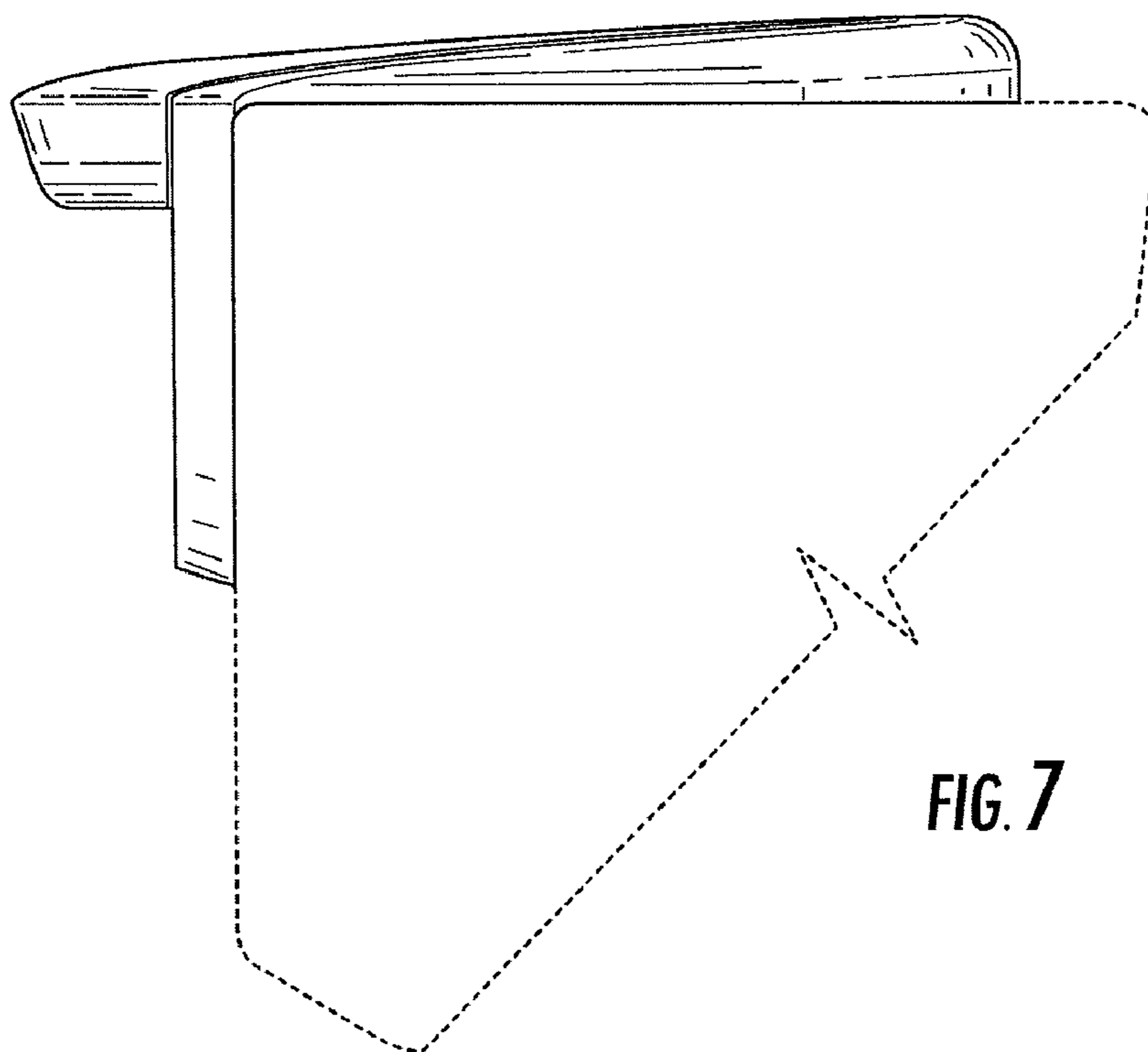
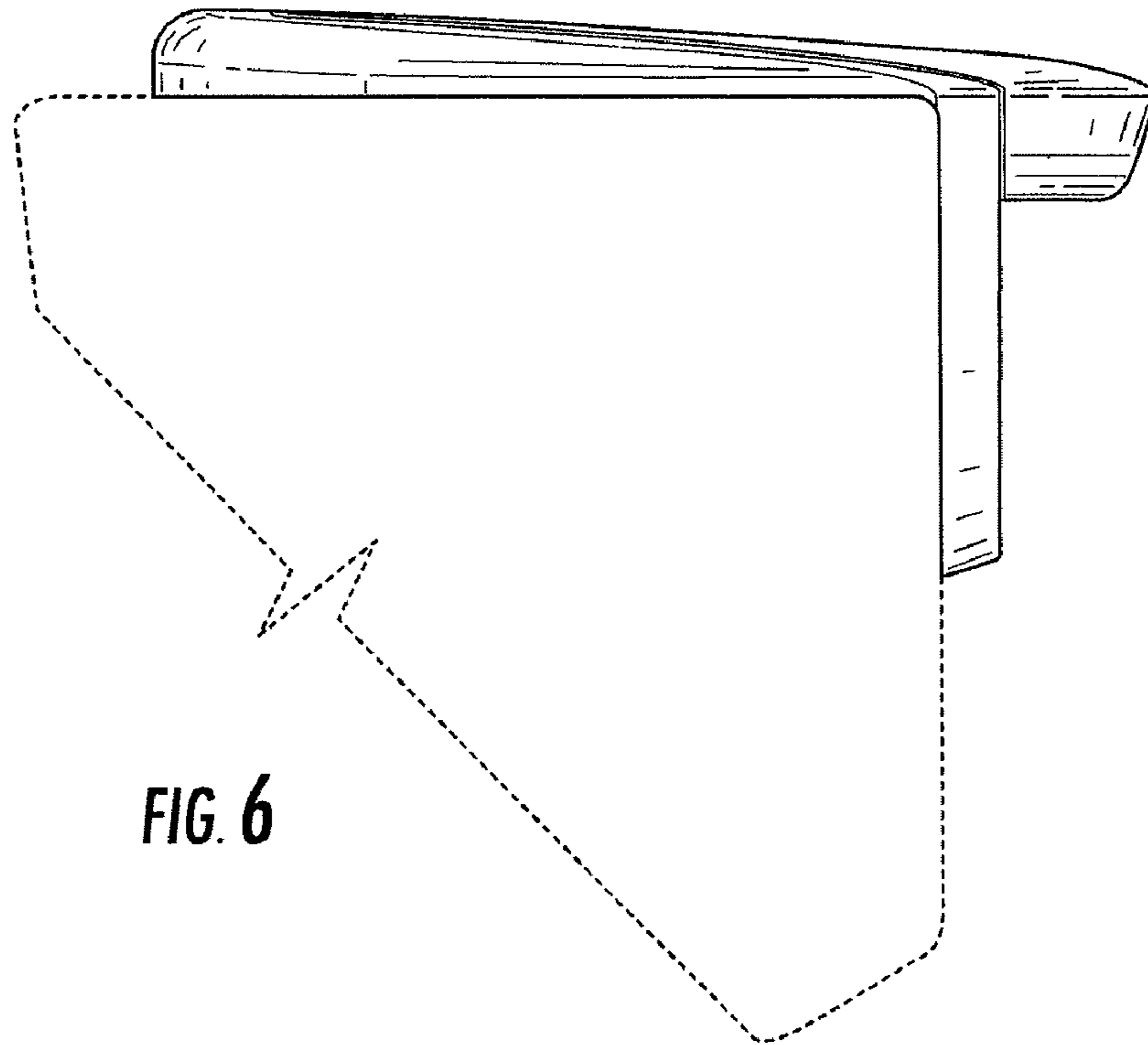


FIG. 5



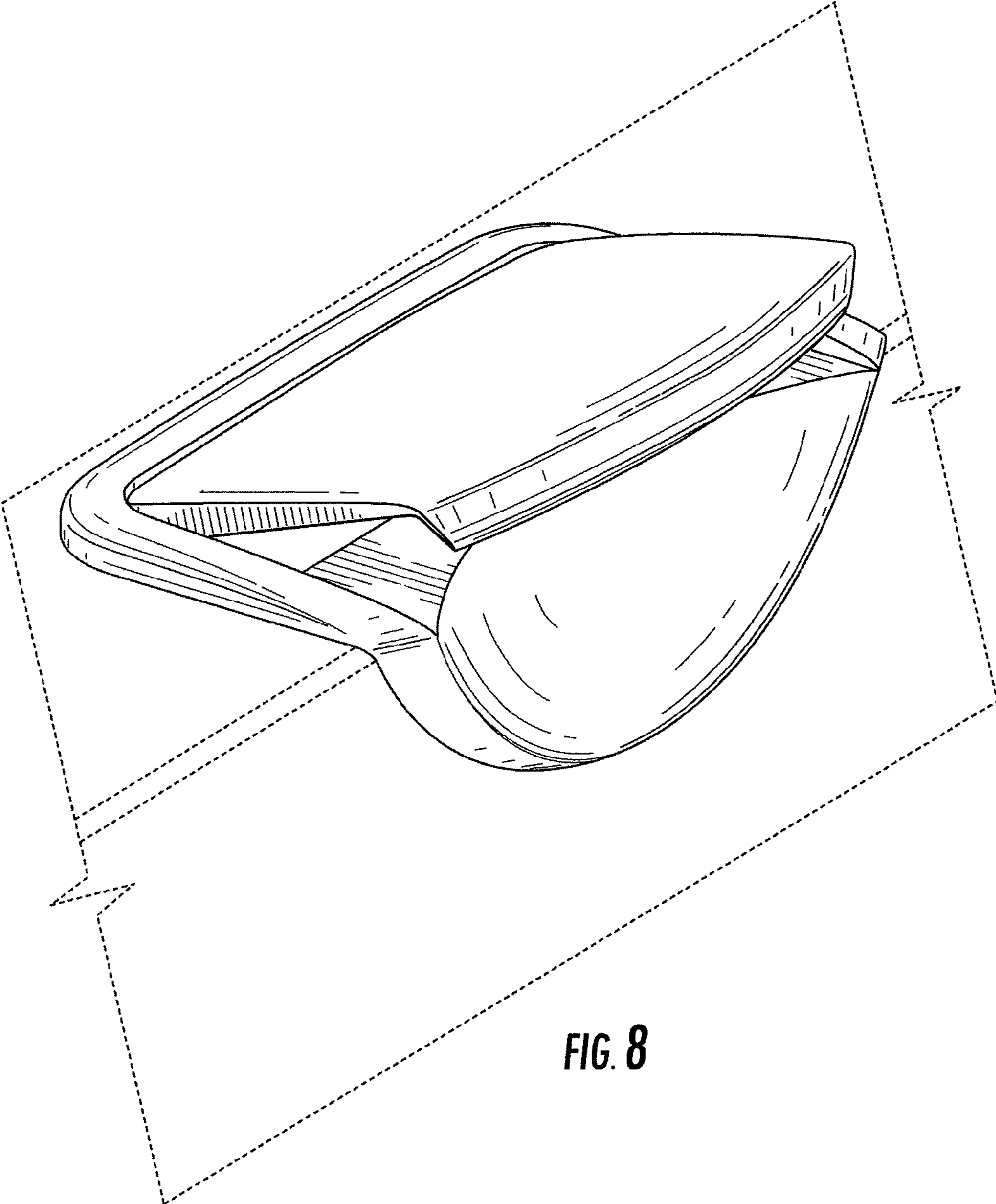


FIG. 8