

US00D635435S

(12) **United States Design Patent**
Yamaguchi

(10) **Patent No.:** **US D635,435 S**

(45) **Date of Patent:** **** Apr. 5, 2011**

(54) **DOOR CLOSER**

(75) Inventor: **Koushi Yamaguchi**, Tokyo (JP)

(73) Assignee: **Sugatsune Kogyo Co., Ltd.**, Tokyo (JP)

(**) Term: **14 Years**

(21) Appl. No.: **29/347,722**

(22) Filed: **Apr. 22, 2010**

(30) **Foreign Application Priority Data**

Oct. 30, 2009 (JP) 2009-025600

(51) **LOC (9) Cl.** **08-07**

(52) **U.S. Cl.** **D8/330**

(58) **Field of Classification Search** D8/330,
D8/343; 16/49-51, 59, 62, 71, 82, DIG. 7,
16/79; 292/201, 144, 92, 339, DIG. 19
See application file for complete search history.

(56) **References Cited**

U.S. PATENT DOCUMENTS

D167,284	S	*	7/1952	Schlage	D8/330
4,086,681	A	*	5/1978	Nakanishi	16/49
4,231,134	A	*	11/1980	Schoker	16/49
4,256,412	A	*	3/1981	Tybus et al.	403/267
D304,291	S	*	10/1989	Weinerman et al.	D8/331
5,268,306	A	*	12/1993	Berger et al.	436/527
5,511,284	A	*	4/1996	Current	16/82
6,003,911	A	*	12/1999	Sowash	292/343
D429,992	S	*	8/2000	Ginzel et al.	D8/330

6,421,876	B1	*	7/2002	Ginzel et al.	16/79
6,591,551	B2	*	7/2003	Winkler	49/339
D491,787	S	*	6/2004	Homberg	D8/330
D493,352	S	*	7/2004	Homberg	D8/330

* cited by examiner

Primary Examiner — Prabhakar Deshmukh

(74) *Attorney, Agent, or Firm* — Bacon & Thomas, PLLC

(57) **CLAIM**

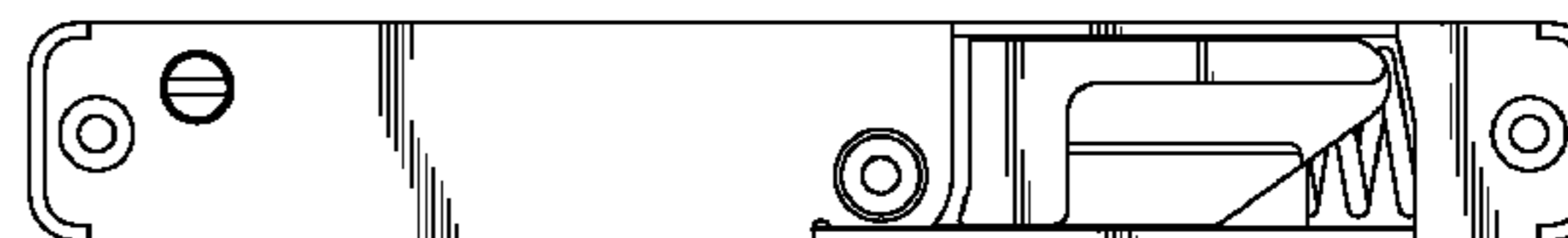
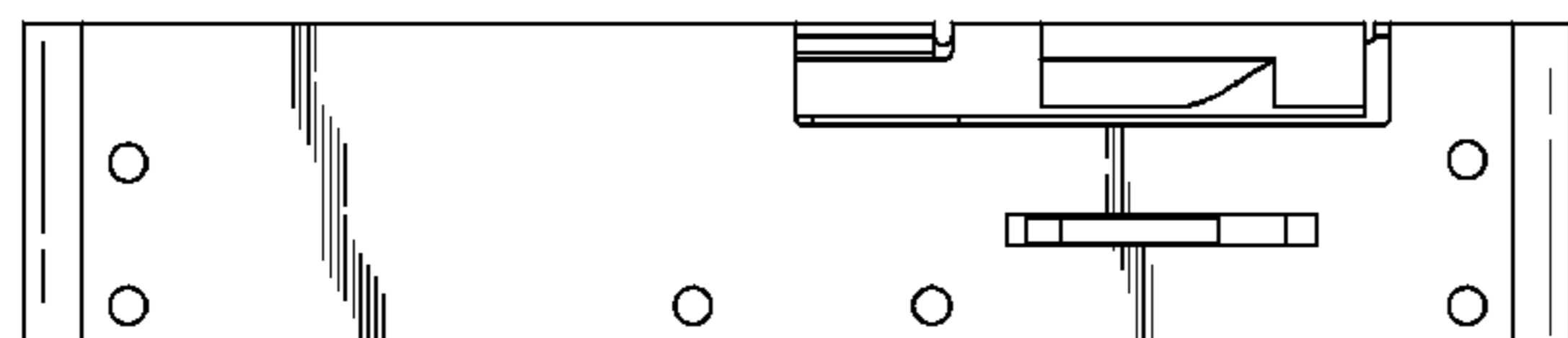
The ornamental design for a door closer, as shown and described.

DESCRIPTION

FIG. 1 is a front elevational view of a door closer showing my new design;
FIG. 2 is a rear elevational view thereof;
FIG. 3 is a top plan view thereof;
FIG. 4 is a bottom plan view thereof;
FIG. 5 is a right side elevational view thereof;
FIG. 6 is a top plan view thereof, shown in an alternate position;
FIG. 7 is a perspective view thereof, showing the article in use; and,
FIG. 8 is another perspective view thereof, showing the article in use.

The broken lines showing an environment are for illustrative purposes only. The other broken lines indicate disclaimed portions of the design. None of the broken lines form part of the claimed design.

1 Claim, 3 Drawing Sheets



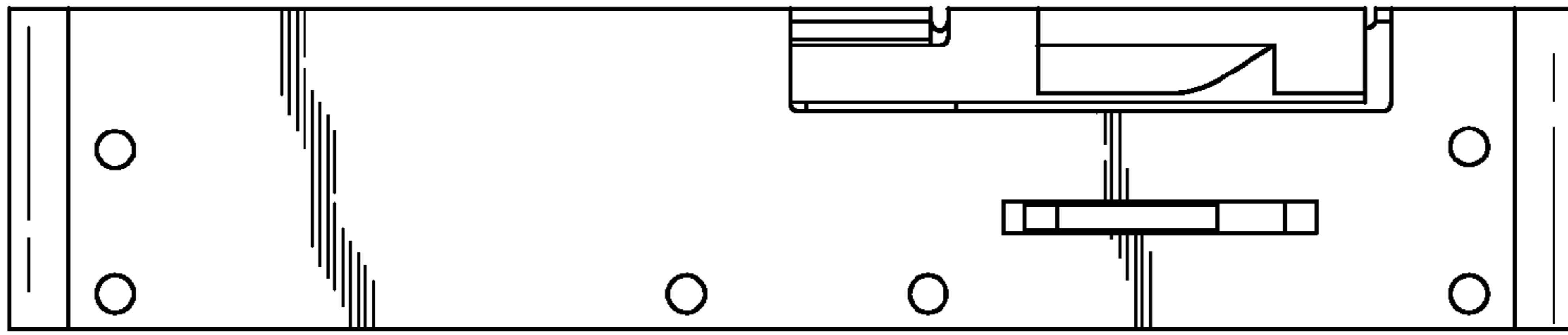


FIG. 1

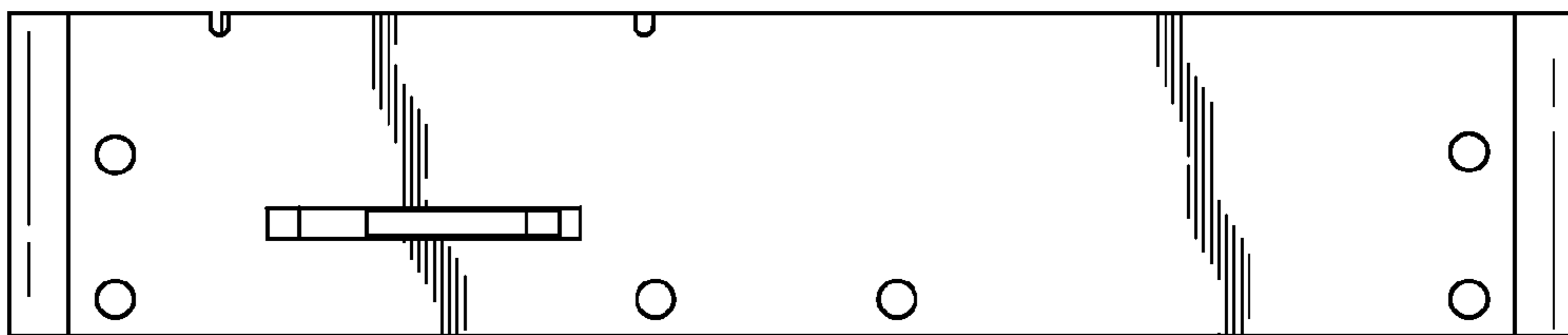


FIG. 2

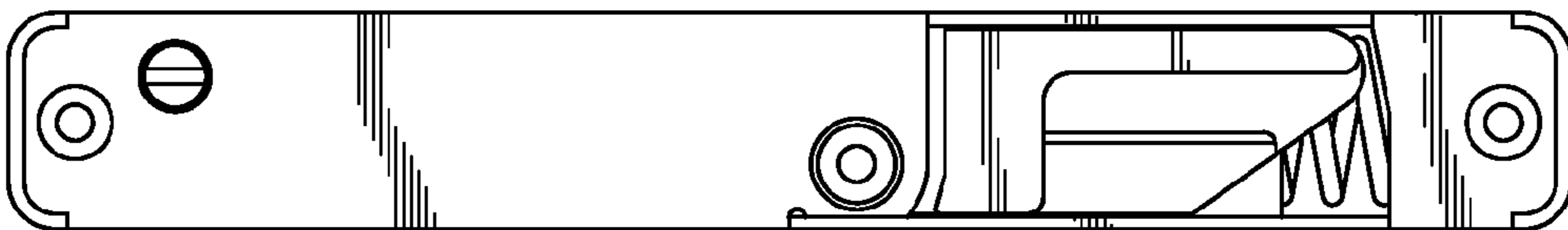


FIG. 3

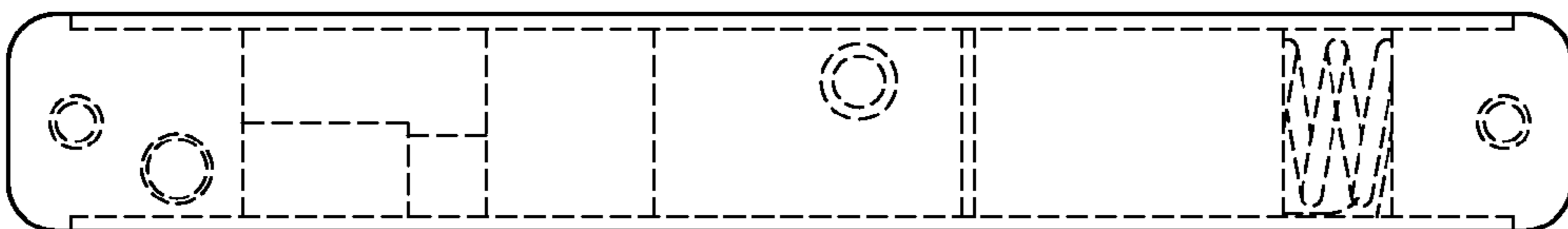


FIG. 4

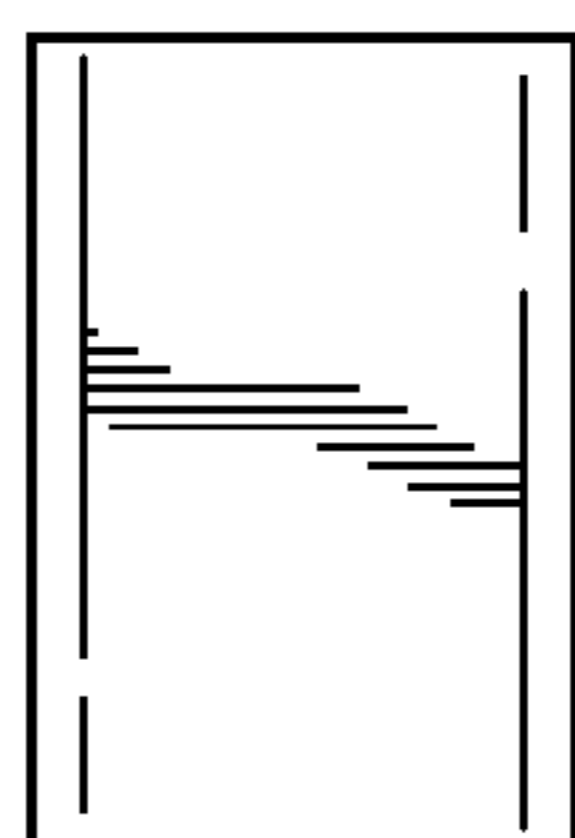


FIG. 5

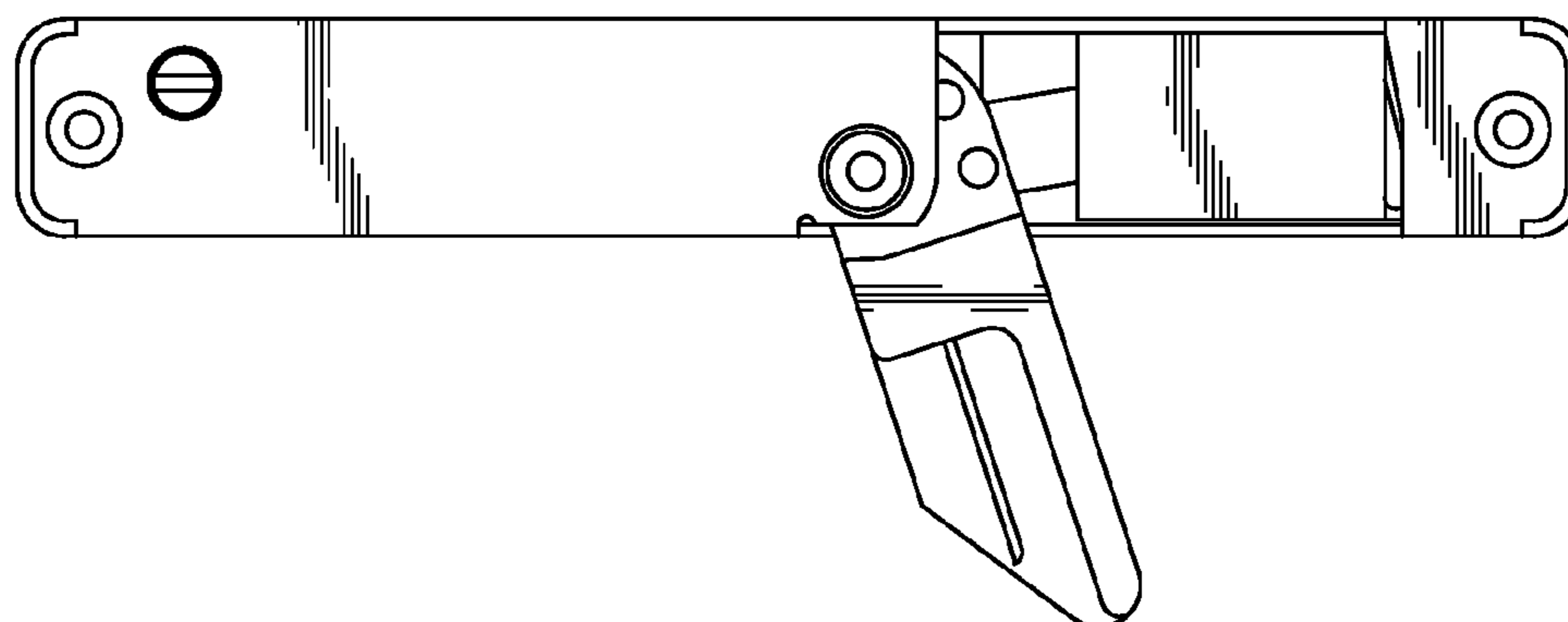


FIG. 6

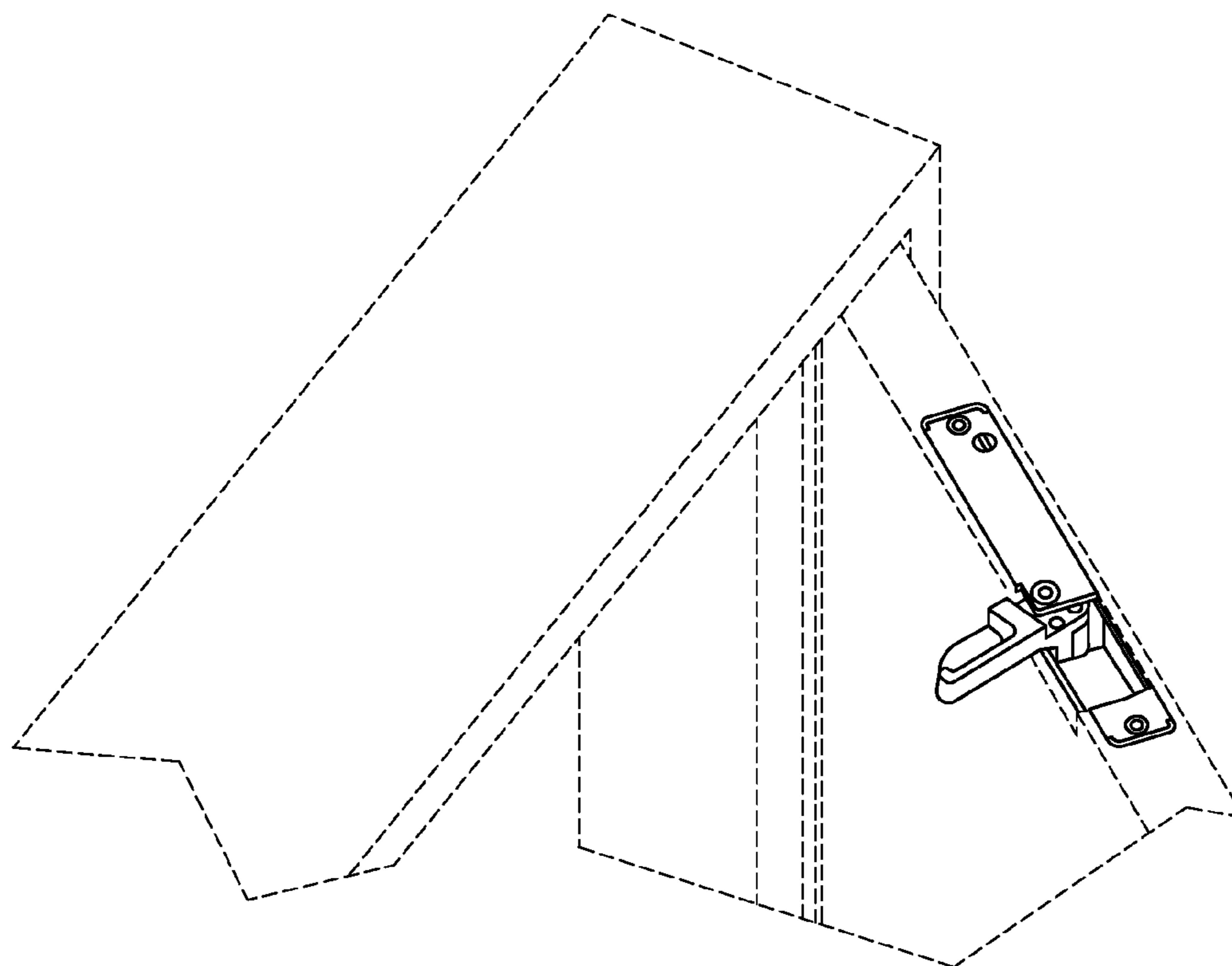


FIG. 7

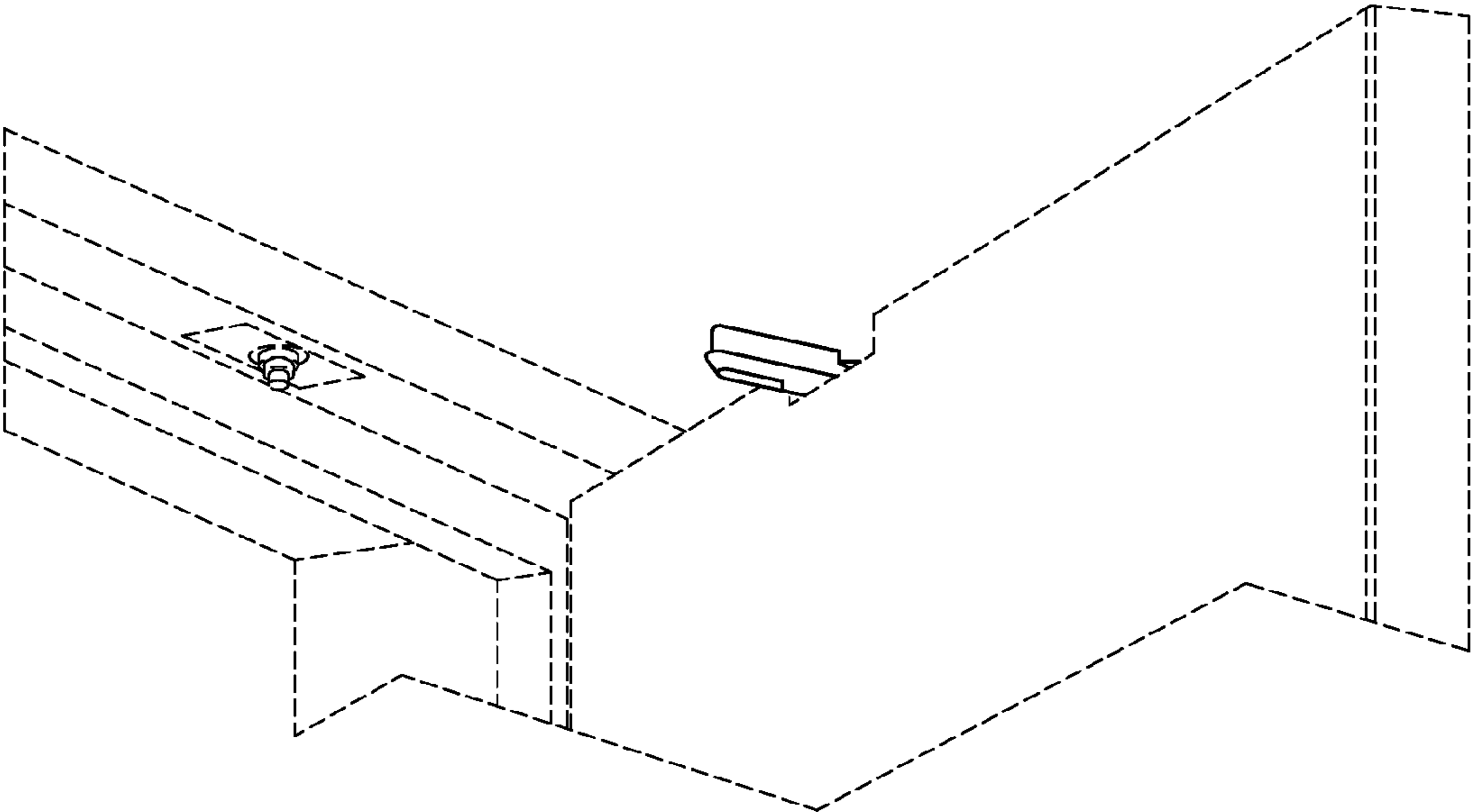


FIG. 8