



US00D635433S

(12) **United States Design Patent**
Le

(10) **Patent No.:** **US D635,433 S**

(45) **Date of Patent:** **** Apr. 5, 2011**

- (54) **ADJUSTABLE FRICTION HINGE**
 - (75) Inventor: **Tam Le**, Santa Ana, CA (US)
 - (73) Assignee: **S.P.E.P. Acquisition Corp.**, Rancho Dominguez, CA (US)
 - (**) Term: **14 Years**
 - (21) Appl. No.: **29/362,761**
 - (22) Filed: **May 28, 2010**
 - (51) **LOC (9) Cl.** **08-06**
 - (52) **U.S. Cl.** **D8/327**
 - (58) **Field of Classification Search** D8/323, D8/328, 329, 324, 330, 325, 327, 331, 336, D8/353, 338, 334, 57; D16/334; D23/302, D23/303; D10/69; D3/903; 4/236, 240; 16/309, 235, 275, 244, 379, 390, 430, 241, 16/238, 245, 236, 243, 242, 385, 225, 250; 248/682; 33/347, 365-390
- See application file for complete search history.

- D385,475 S * 10/1997 Bolinas et al. D8/328
- 5,765,263 A * 6/1998 Bolinas et al. 16/342
- D413,505 S * 9/1999 Perkins et al. D8/323
- D436,515 S * 1/2001 Sonntag D8/328
- D584,130 S * 1/2009 Bertani D8/328
- D621,683 S * 8/2010 Mullenix D8/323

* cited by examiner

Primary Examiner — Cynthia Underwood

(74) *Attorney, Agent, or Firm* — Christie, Parker & Hale, LLP

(57) **CLAIM**

The ornamental design for adjustable friction hinge, as shown and described.

DESCRIPTION

FIG. 1 is a top perspective view of the adjustable friction hinge of the invention.

FIG. 2 is a top plan view thereof.

FIG. 3 is a left side view thereof.

FIG. 4 is a right side view thereof.

FIG. 5 is a front view thereof.

FIG. 6 is a rear view thereof; and,

FIG. 7 is a bottom view thereof.

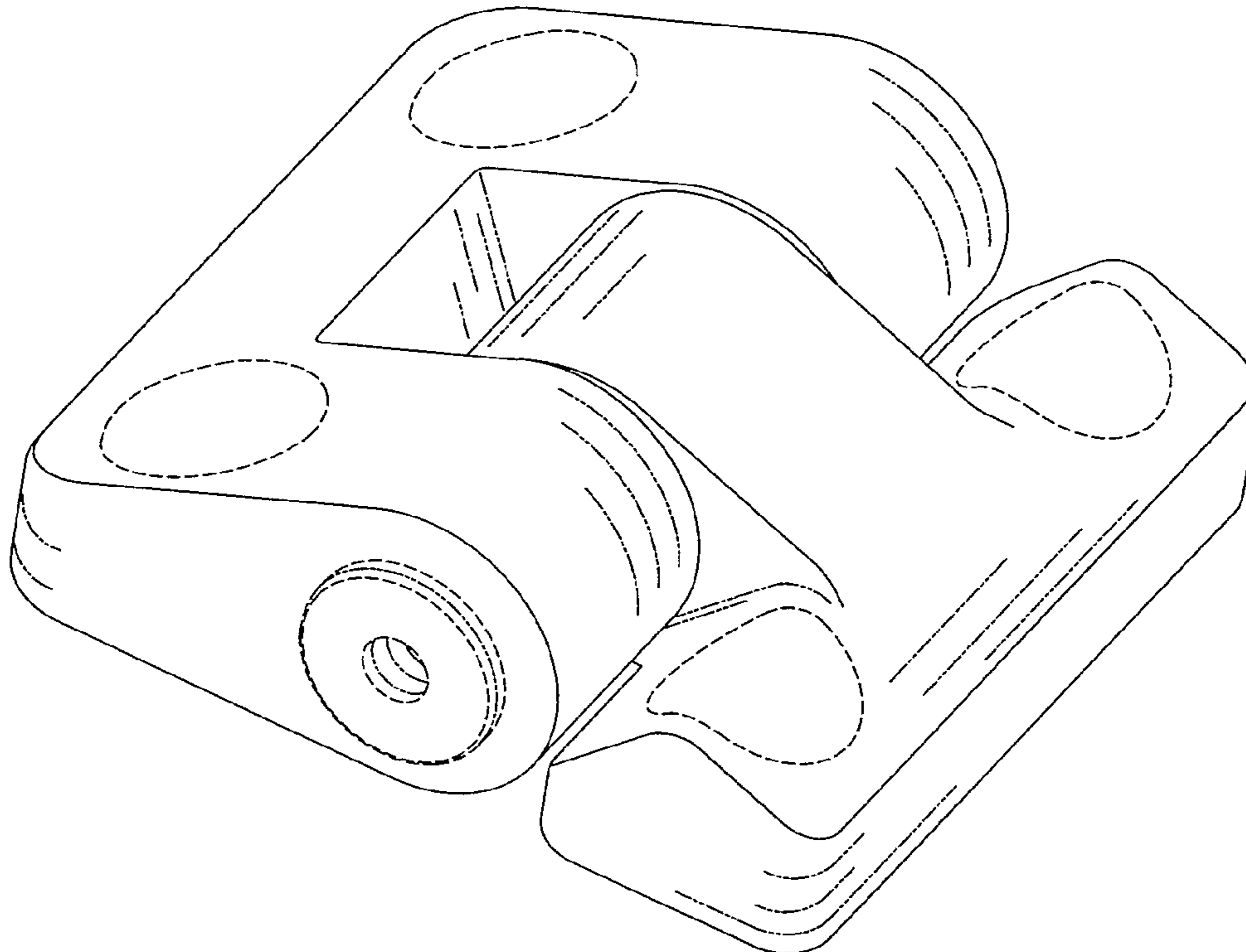
The broken lines shown in the drawings are included for the purpose of illustrating environmental structure and form no part of the claimed design.

(56) **References Cited**

U.S. PATENT DOCUMENTS

- D75,537 S * 6/1928 Winters et al. D8/329
- D99,756 S * 5/1936 Atwood D8/327
- 2,050,045 A * 8/1936 Eden, Jr. 72/261
- 3,827,266 A * 8/1974 Walters 70/104
- D284,931 S * 8/1986 Bisbing D8/327
- 4,630,333 A * 12/1986 Vickers 16/338
- 5,412,842 A * 5/1995 Riblett 16/334

1 Claim, 5 Drawing Sheets



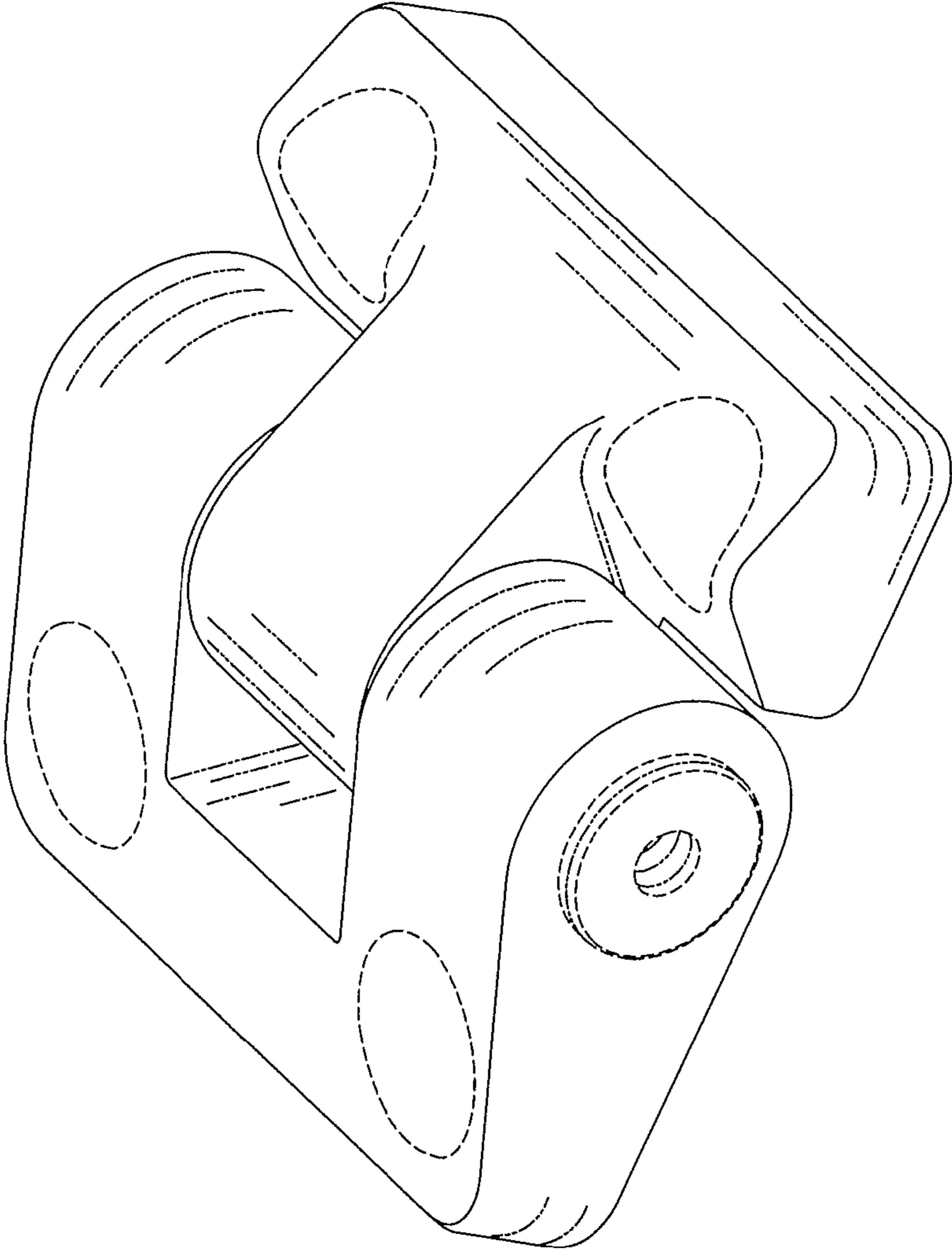


FIG. 1

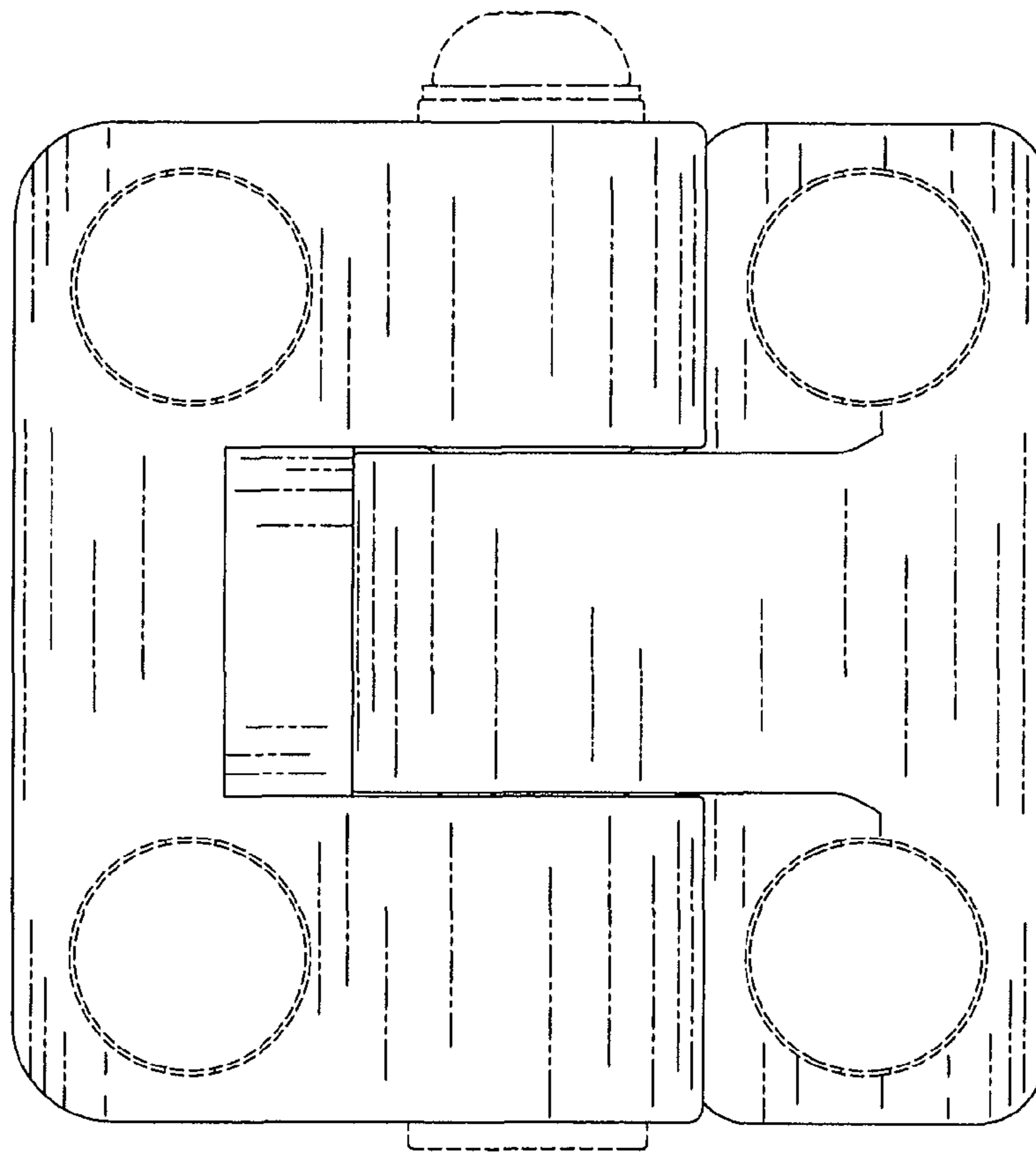


FIG. 2

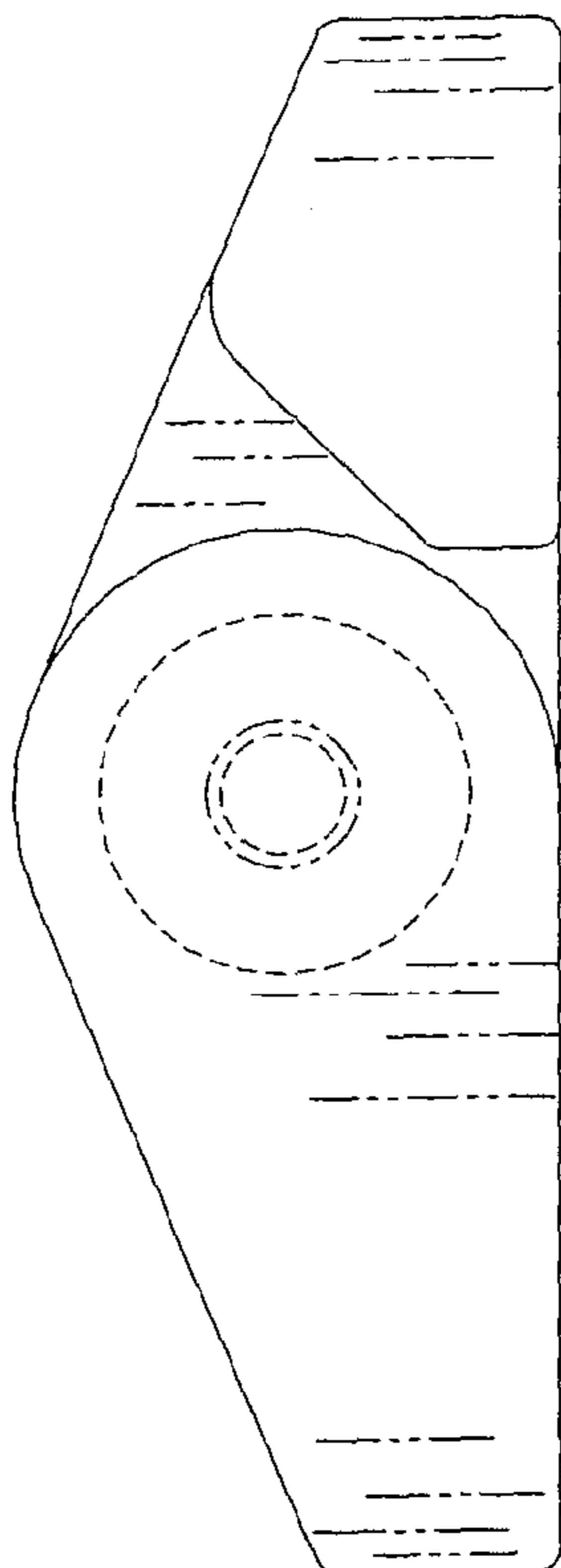


FIG. 3

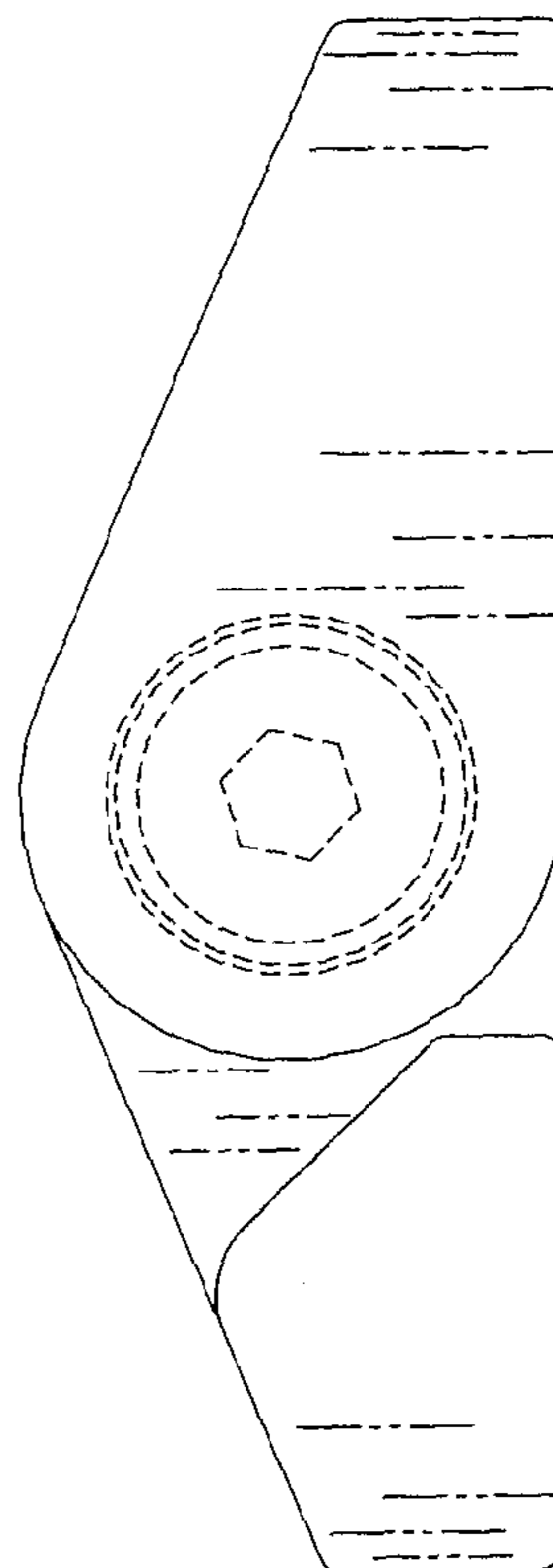


FIG. 4

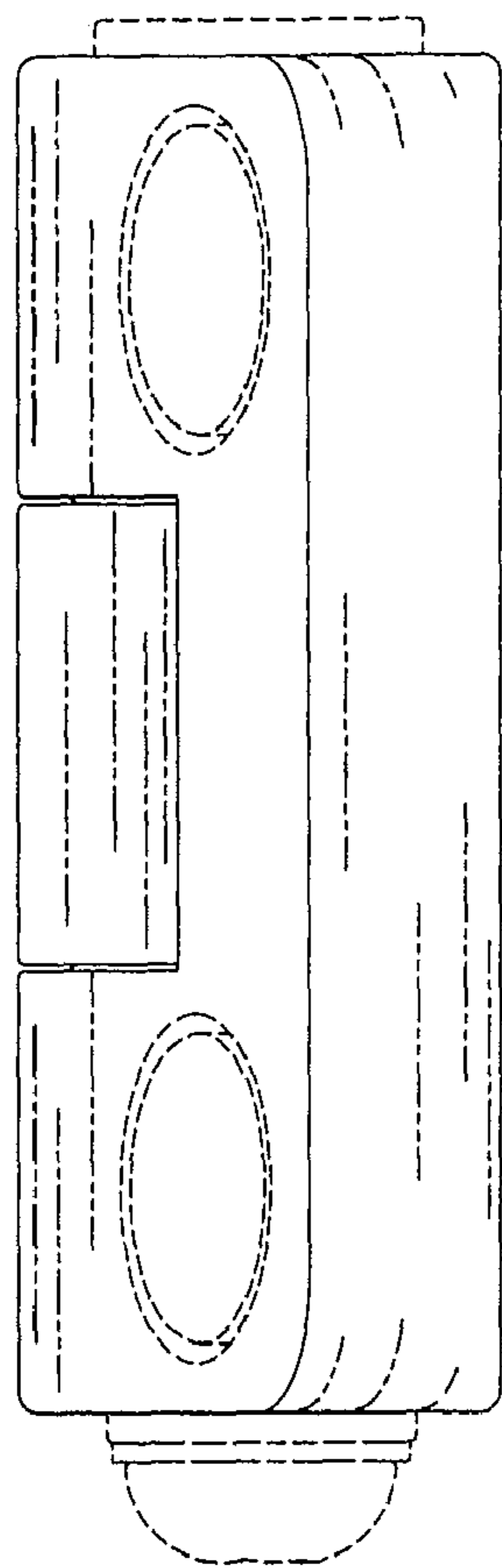


FIG. 5

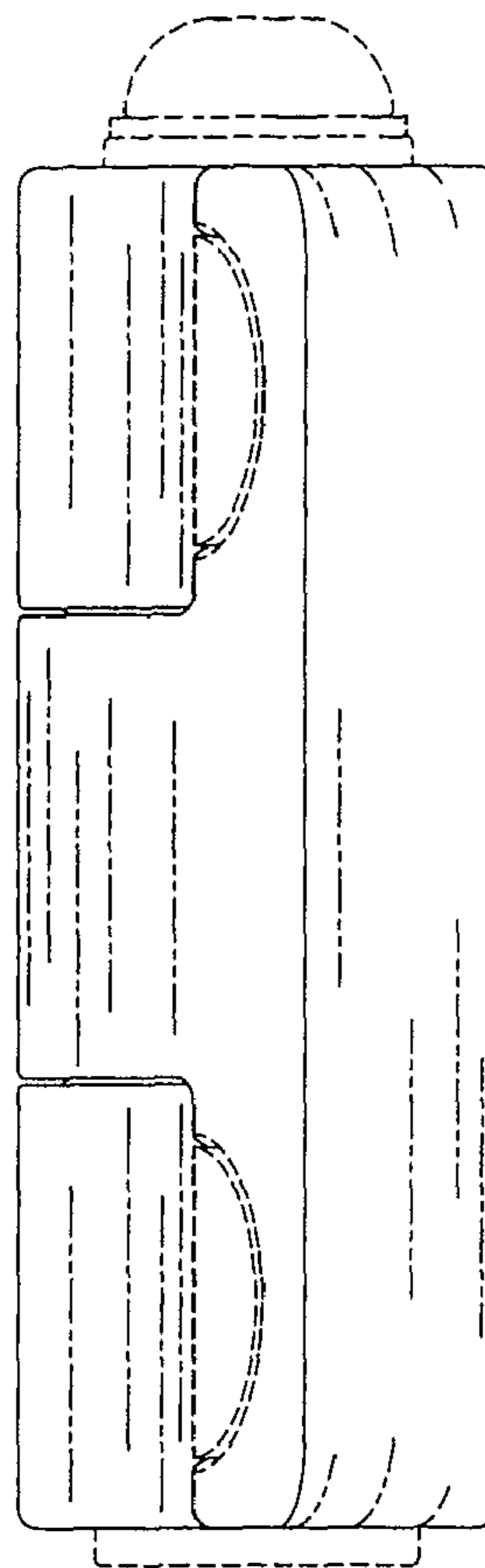


FIG. 6

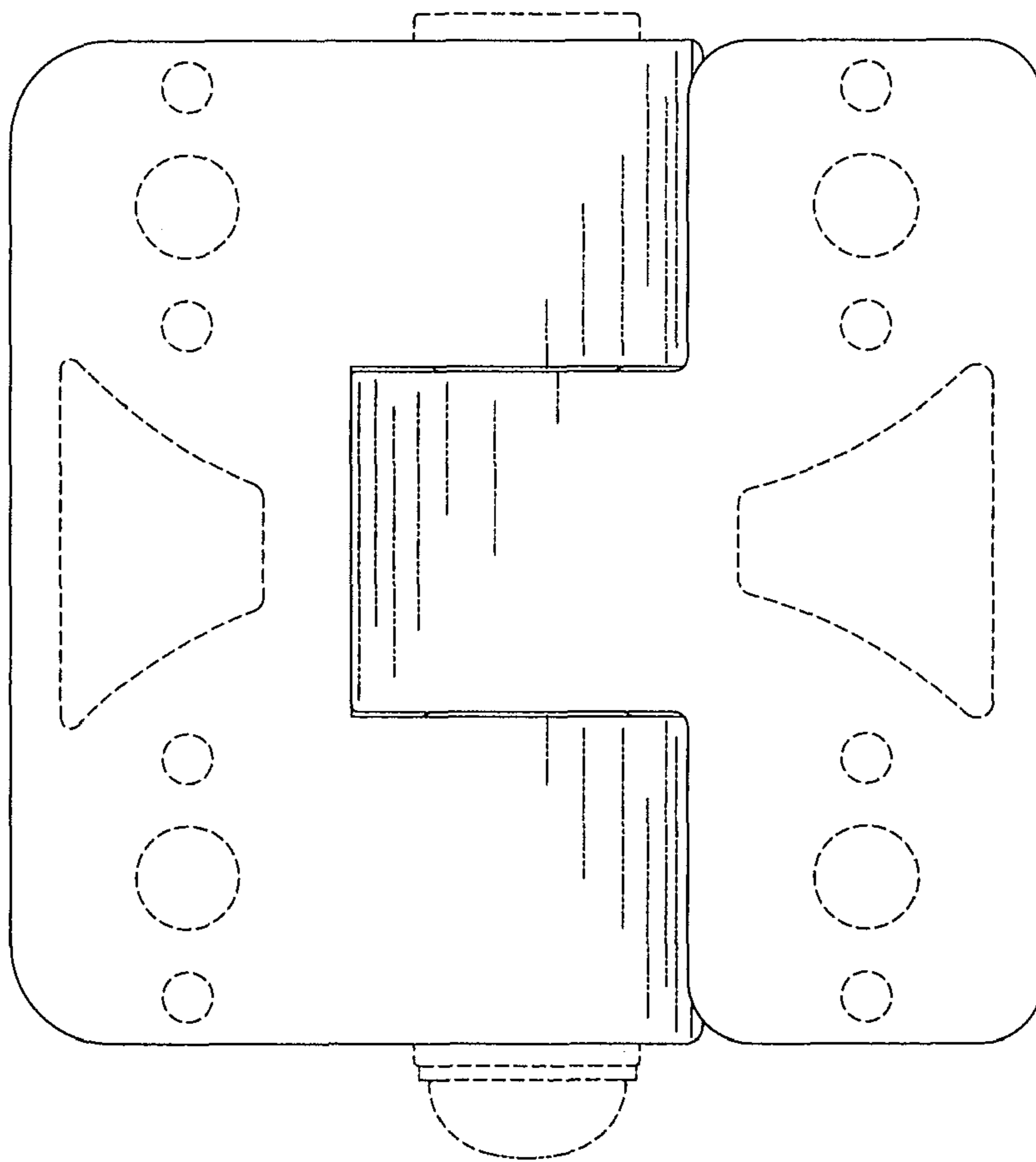


FIG. 7