

US00D635431S

(12) **United States Design Patent**
Forsythe

(10) **Patent No.:** **US D635,431 S**

(45) **Date of Patent:** **** Apr. 5, 2011**

(54) **HARDWOOD FLOOR AND TACK STRIP
REMOVER**

(76) Inventor: **Kevin N. Forsythe**, Crystal Lake, IL
(US)

(**) Term: **14 Years**

(21) Appl. No.: **29/316,822**

(22) Filed: **Nov. 5, 2009**

Related U.S. Application Data

(62) Division of application No. 29/314,625, filed on Apr. 16, 2009, now Pat. No. Des. 614,928.

(51) **LOC (9) Cl.** **08-05**

(52) **U.S. Cl.** **D8/89; D8/48**

(58) **Field of Classification Search** D8/48,
D8/88-89, 105; 7/145-146, 166; 254/21,
254/25-26, 120, 131

See application file for complete search history.

(56) **References Cited**

U.S. PATENT DOCUMENTS

D57,030	S *	2/1921	Bosco	D8/88
2,624,544	A *	1/1953	Graham	254/15
3,049,337	A *	8/1962	Griggs	254/131
4,336,832	A *	6/1982	Poulos	81/20
D334,127	S *	3/1993	Nellis	D8/77
D392,867	S *	3/1998	Gracy et al.	D8/89
6,113,074	A *	9/2000	Foley	254/25
6,920,807	B2 *	7/2005	Bond	81/45
6,988,711	B2 *	1/2006	Skach	254/25
D562,100	S *	2/2008	Kamradt	D8/77
D569,211	S *	5/2008	Peddie	D8/88

D572,106	S *	7/2008	Chen	D8/89
D600,985	S *	9/2009	Forsythe	D8/48
7,603,780	B2 *	10/2009	Oikarinen et al.	30/172
D604,139	S *	11/2009	Forsythe	D8/105
2002/0134971	A1 *	9/2002	Christensen	254/25
2006/0156685	A1 *	7/2006	Shank	52/741.1
2009/0307847	A1 *	12/2009	Liou	7/166
2009/0307848	A1 *	12/2009	Liou	7/166

* cited by examiner

Primary Examiner — Philip S Hyder

Assistant Examiner — Roselynn Cody

(74) *Attorney, Agent, or Firm* — Mathew R. P. Perrone, Jr.;
Brie A. Crawford

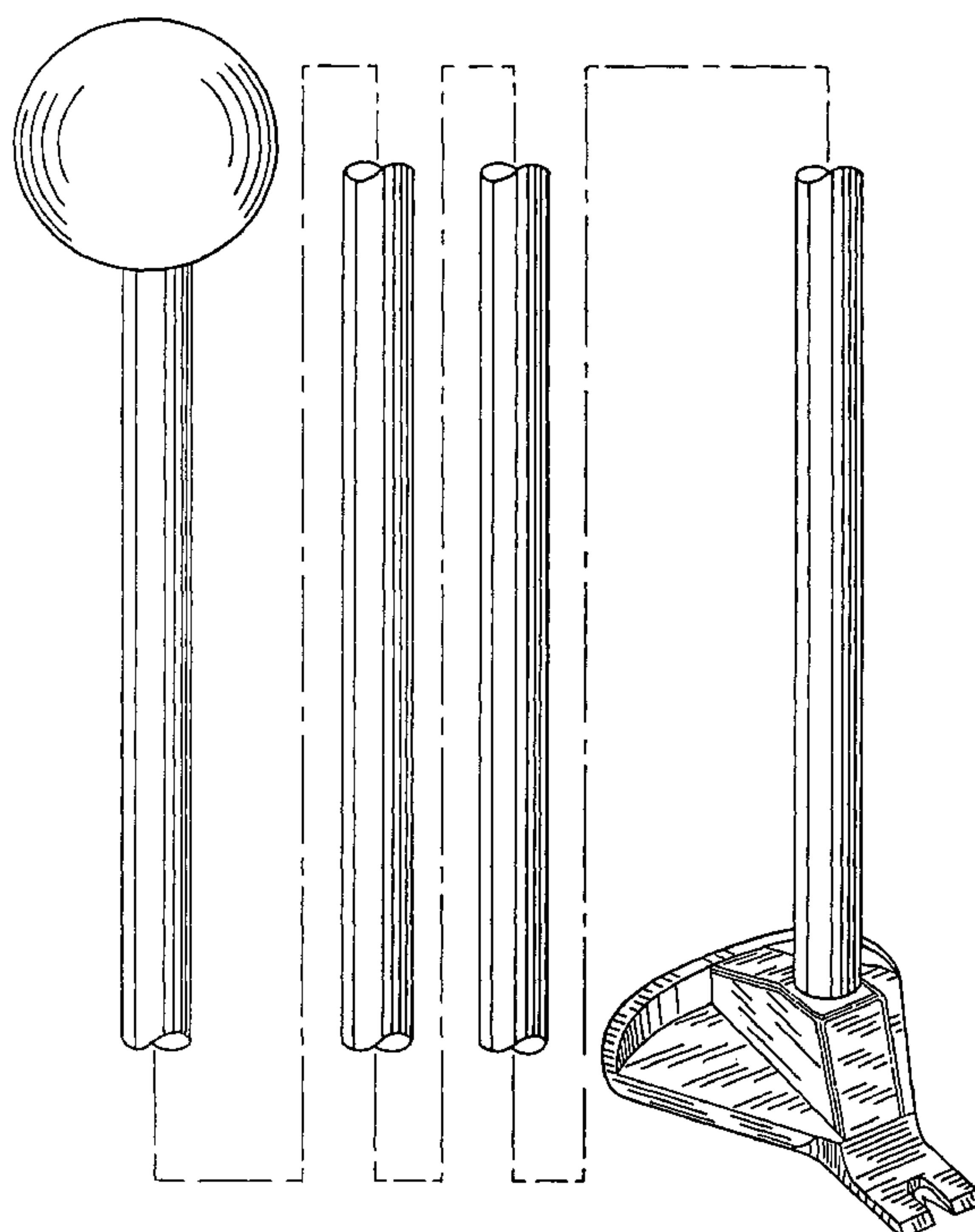
(57) **CLAIM**

The ornamental design for a hardwood floor and tack strip remover, as shown and described.

DESCRIPTION

FIG. 1 is a perspective view of a hardwood floor and tack strip remover with handle of my invention;
 FIG. 2 is a front view thereof;
 FIG. 3 is a rear view thereof, and an opposite view based on FIG. 2;
 FIG. 4 is a top view thereof;
 FIG. 5 is a bottom view thereof, and an opposite view based on FIG. 4;
 FIG. 6 is a left side view thereof;
 FIG. 7 is a right side view thereof and a reverse view of FIG. 6; and,
 FIG. 8 is a perspective view of a hardwood floor and tack strip remover with the handle removed for completeness of illustration.

1 Claim, 7 Drawing Sheets



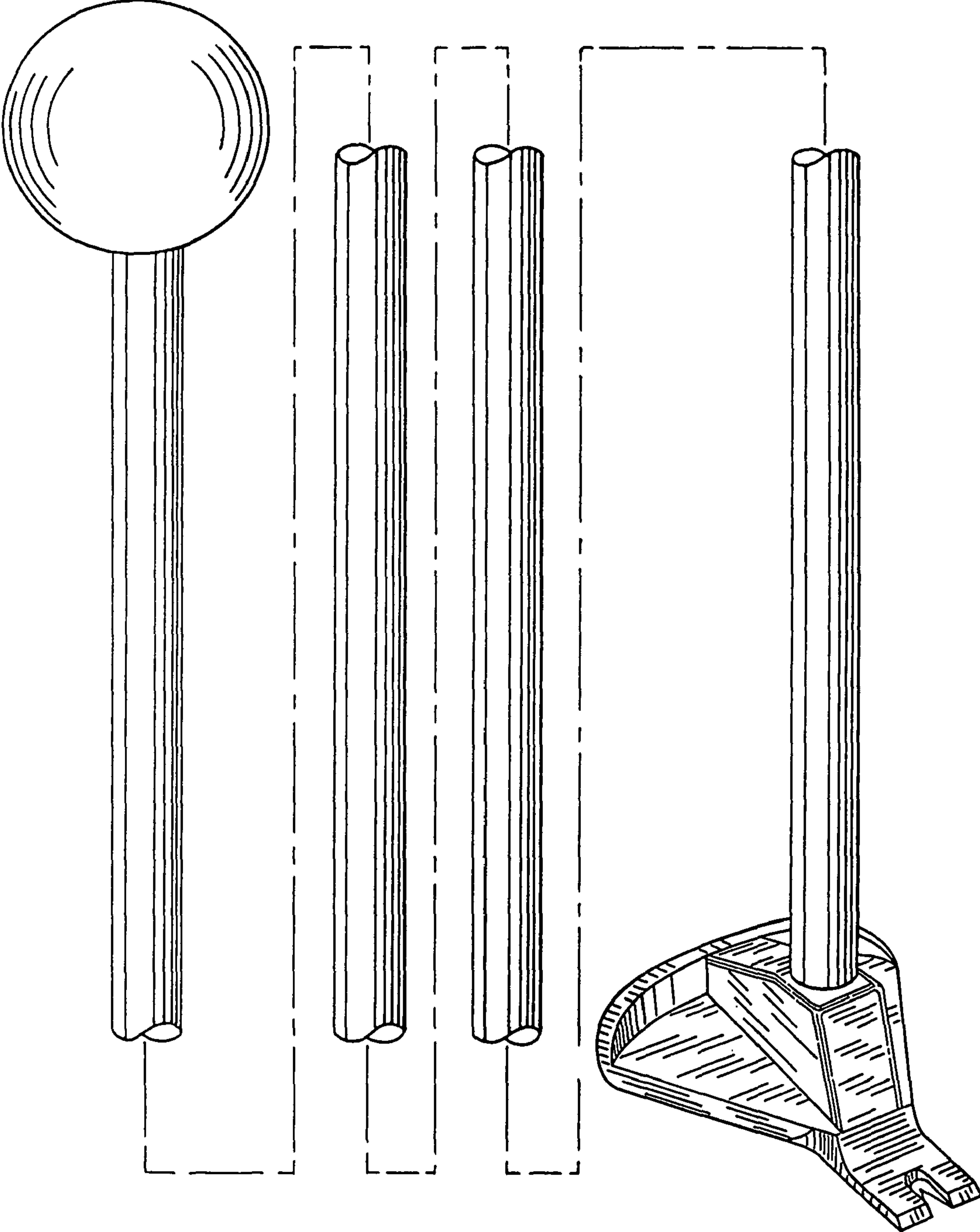


FIG. 1.

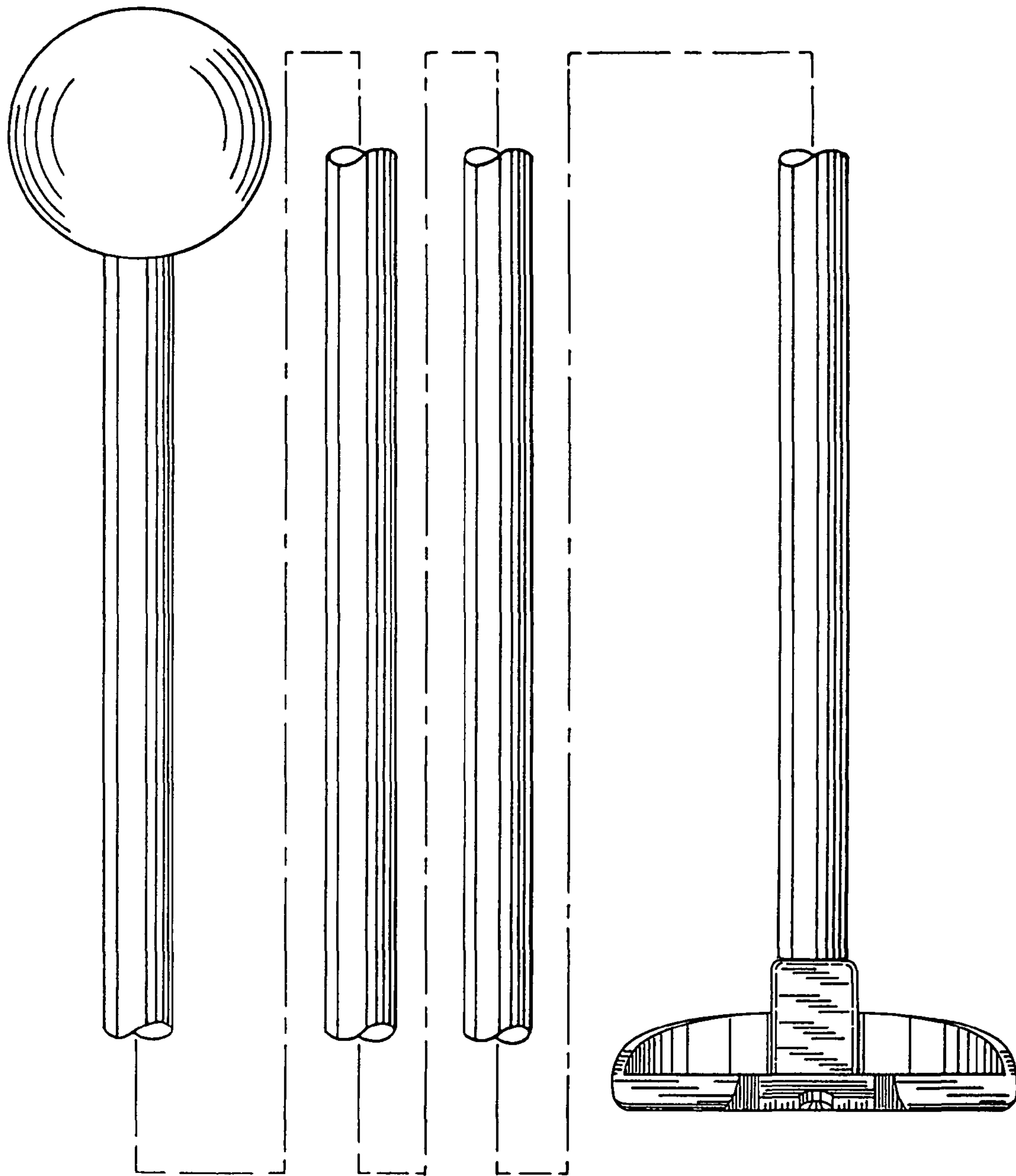


FIG. 2.

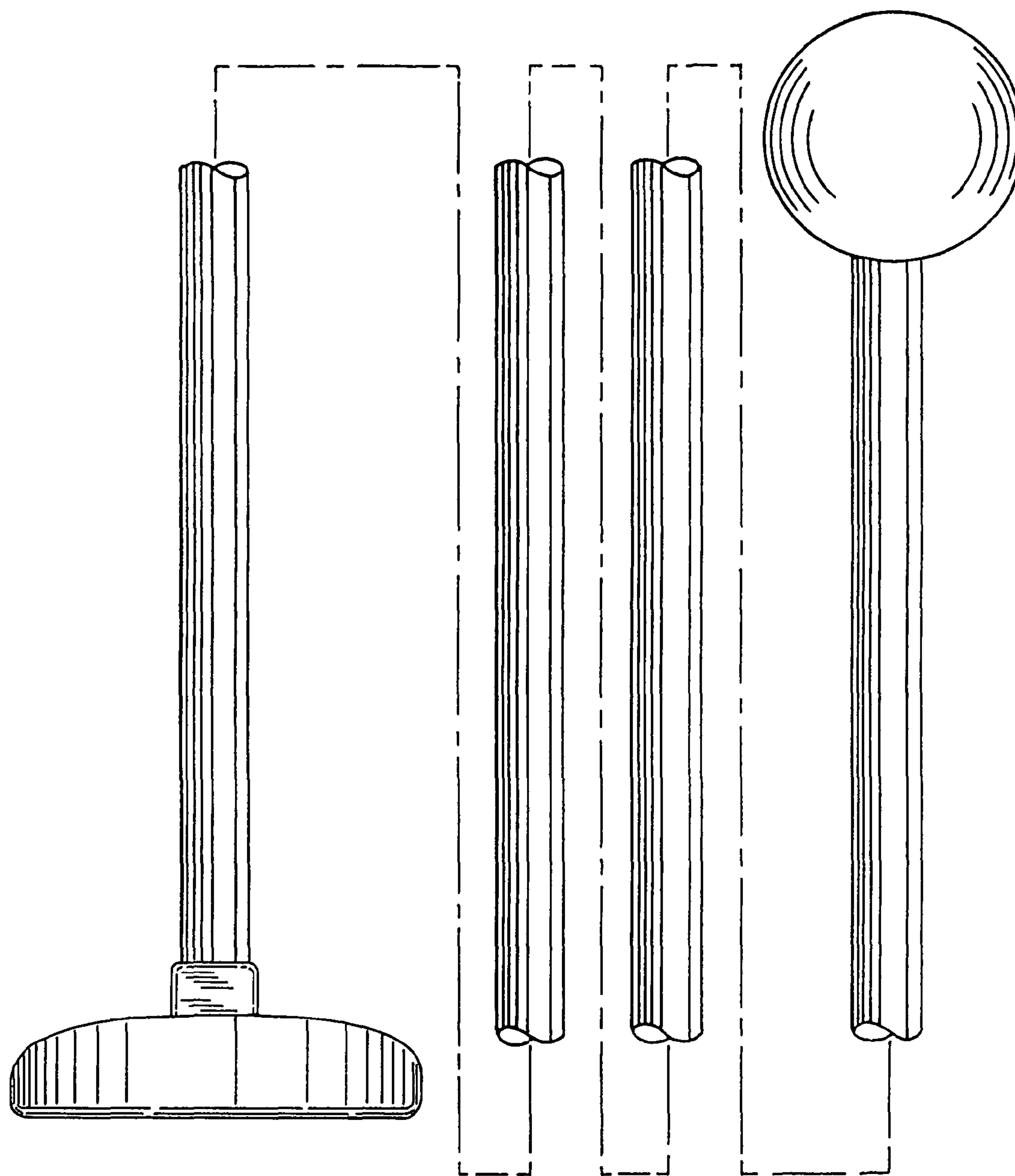


Fig. 3.

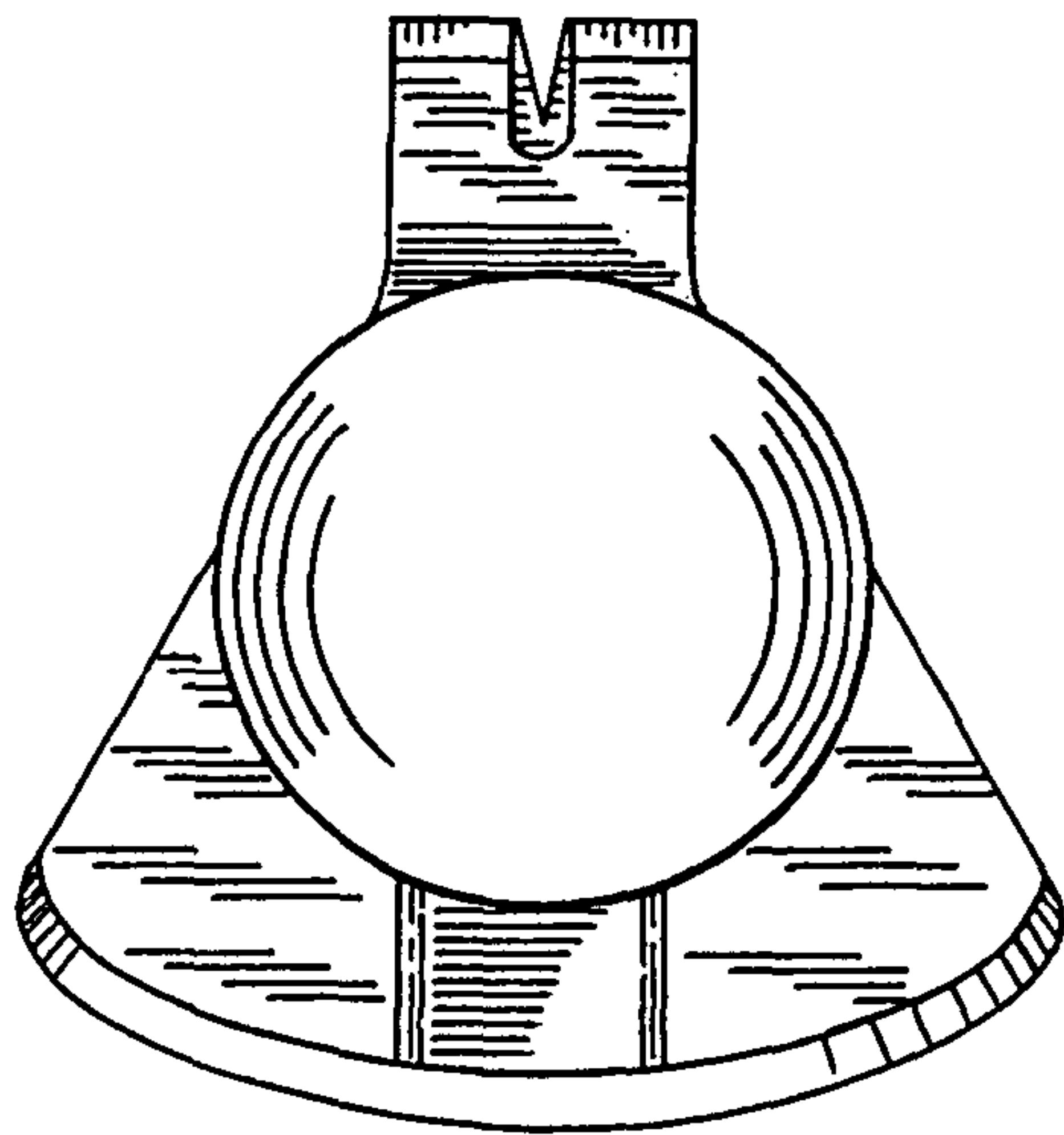


FIG. 4.

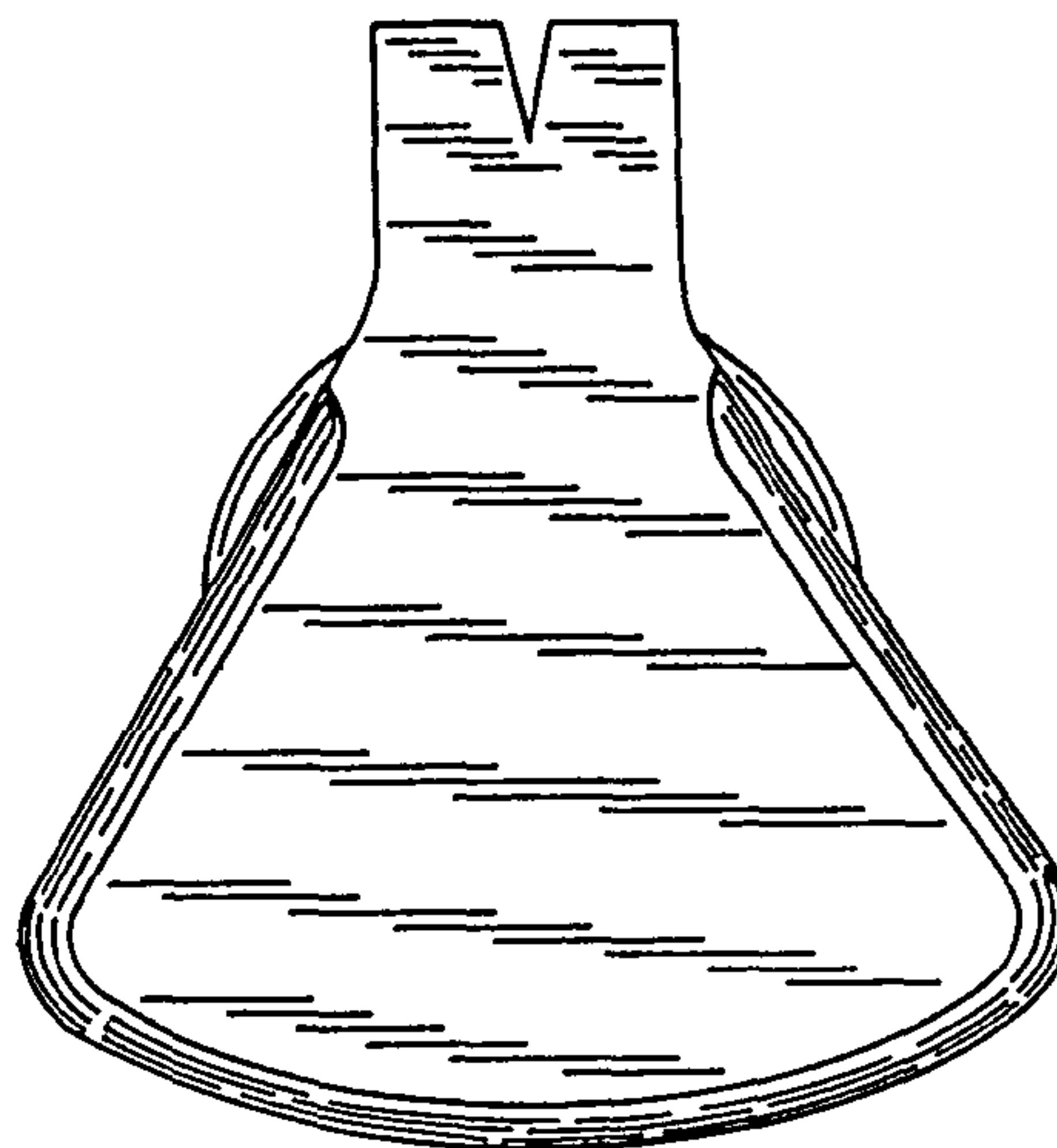


FIG. 5.

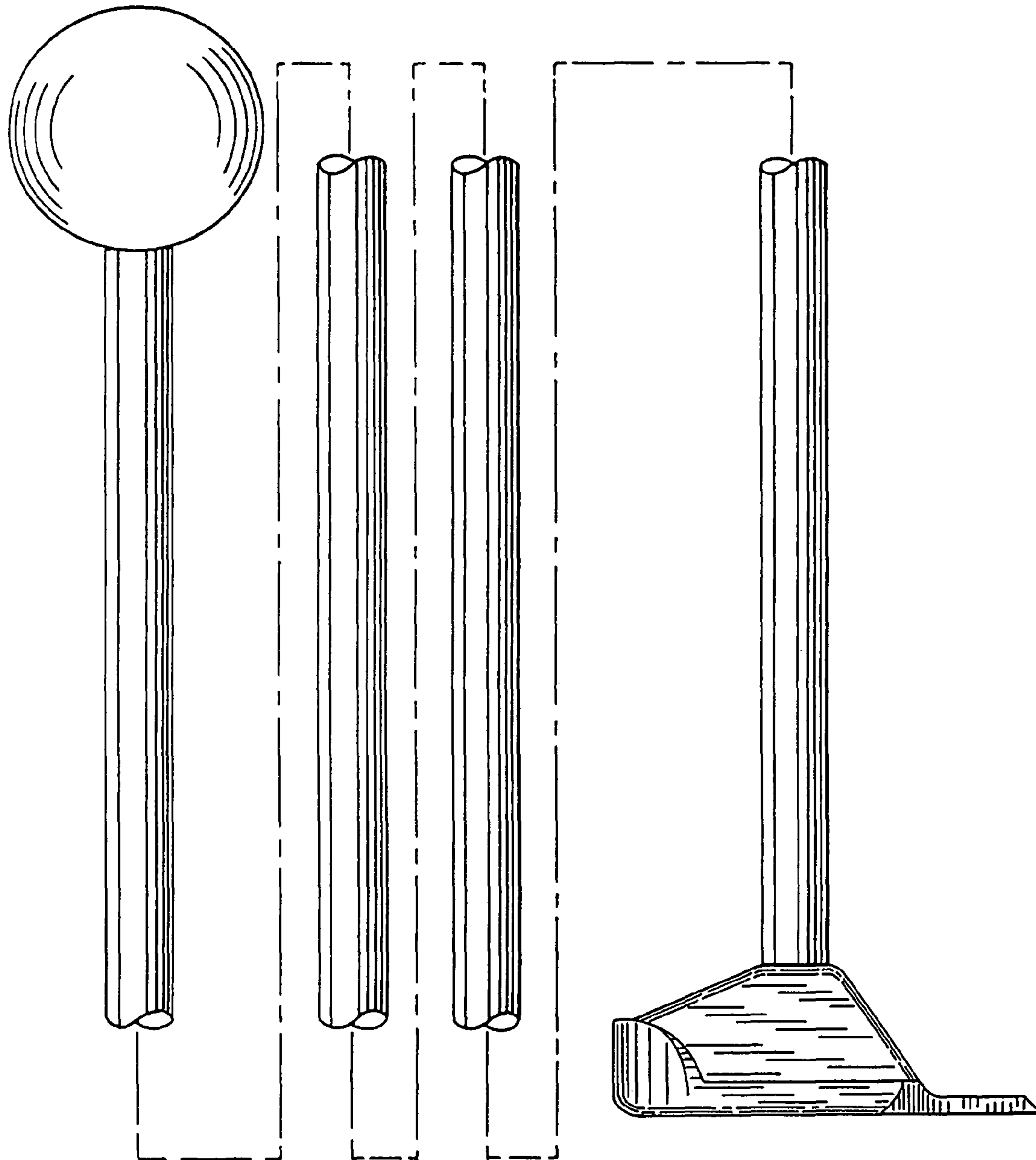


FIG. 6.

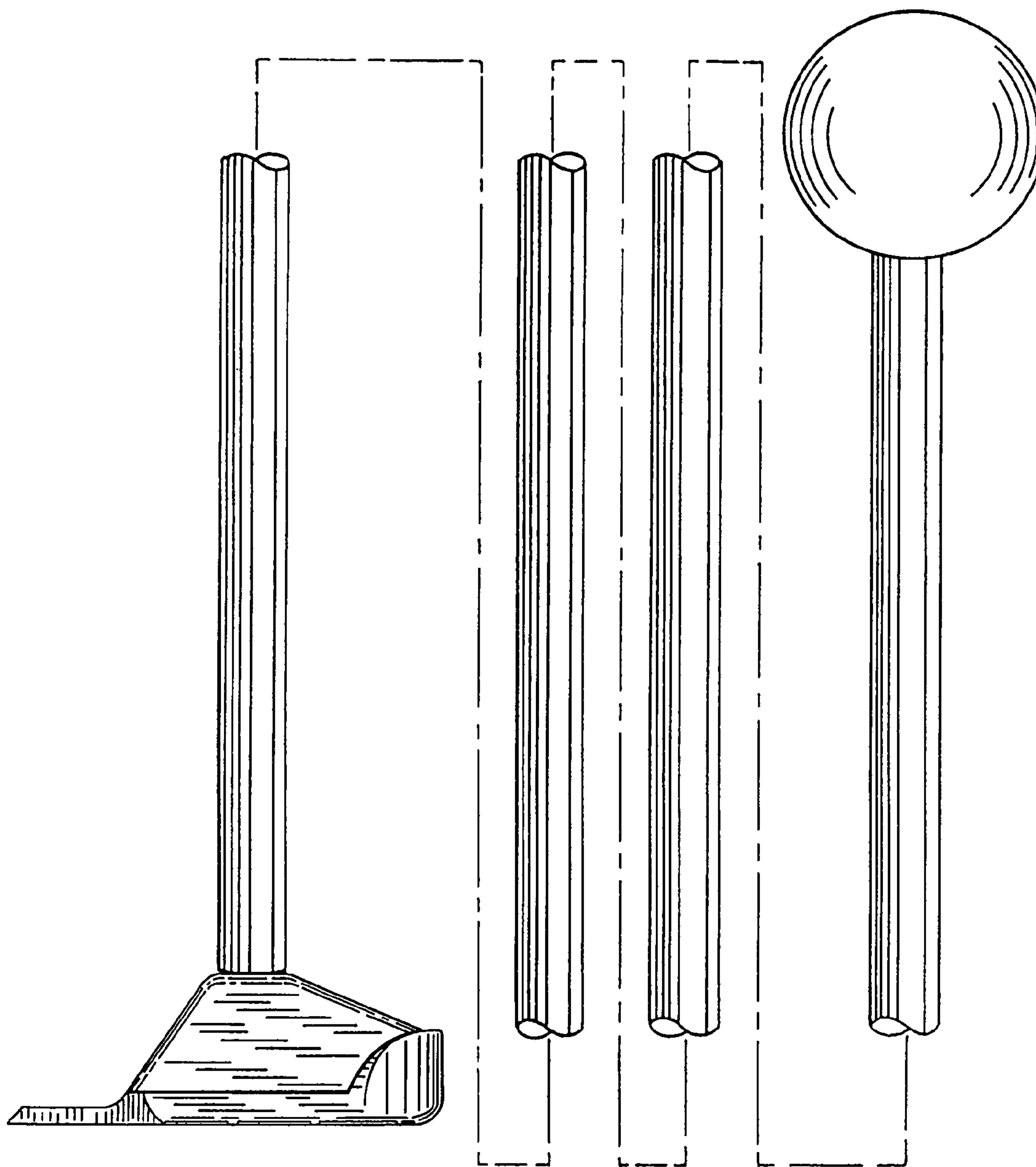


Fig. 7.

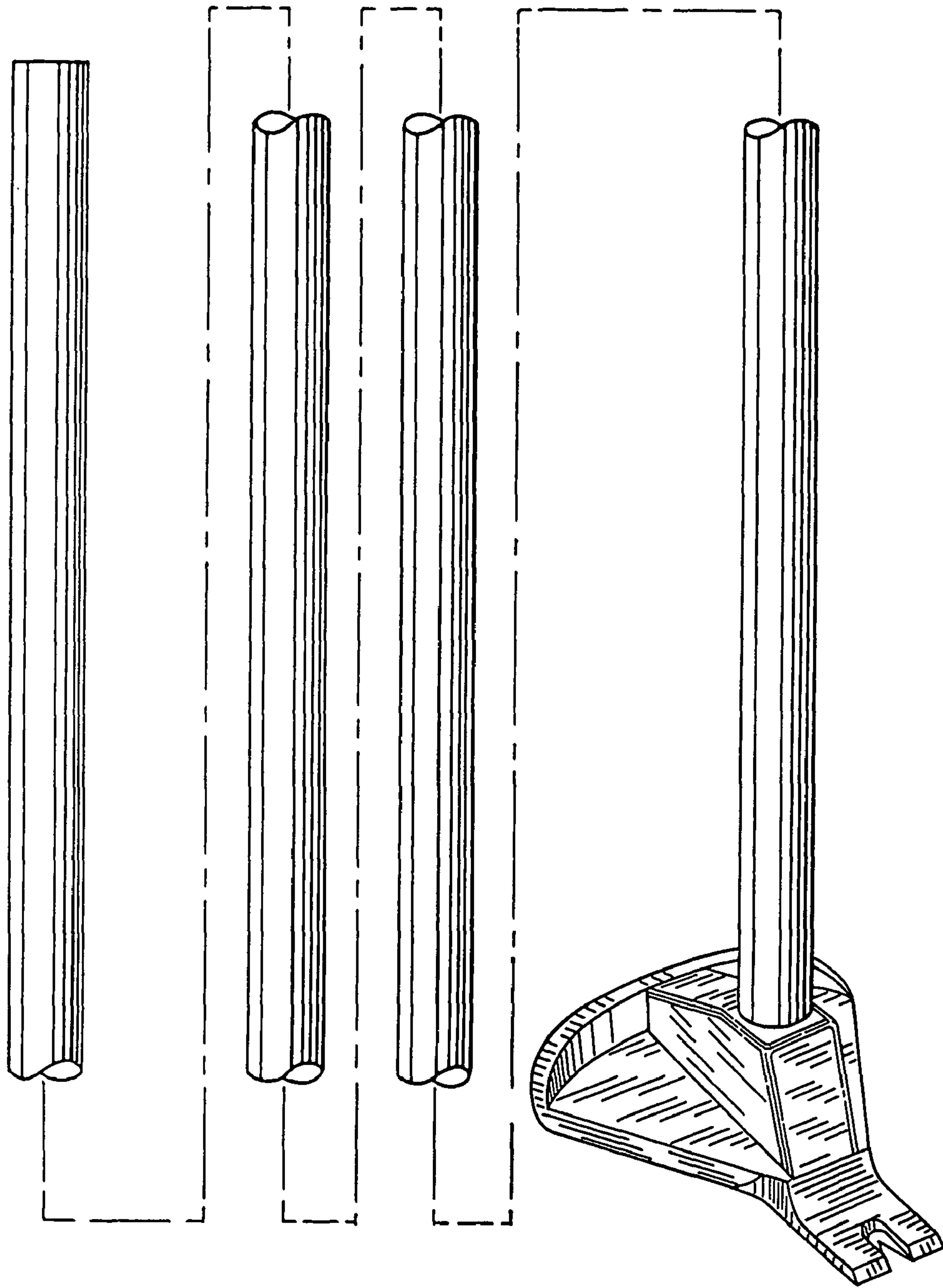


Fig. 8.