



US00D635430S

(12) **United States Design Patent**
Robinson et al.

(10) **Patent No.:** **US D635,430 S**

(45) **Date of Patent:** **** Apr. 5, 2011**

(54) **SCREWDRIVER HANDLE**

(75) Inventors: **Glenn Robinson**, Coral Springs, FL
(US); **Michael Garcia**, Coral Springs,
FL (US)

(73) Assignee: **IBT Holdings LLC**, Deerfield Beach,
FL (US)

(**) Term: **14 Years**

(21) Appl. No.: **29/370,174**

(22) Filed: **Jun. 14, 2010**

(51) **LOC (9) Cl.** **08-04**

(52) **U.S. Cl.** **D8/83**

(58) **Field of Classification Search** D8/25,
D8/82-85, 87, 107; 16/110.1; 81/177.1,
81/177.4, 436-440, 489

See application file for complete search history.

(56) **References Cited**

U.S. PATENT DOCUMENTS

D33,589	S	*	11/1900	Higgins	D8/107
1,632,227	A	*	6/1927	Halsey	16/421
2,815,837	A	*	12/1957	Morgan	192/44
4,273,173	A	*	6/1981	Smith et al.	81/177.4
D261,979	S	*	11/1981	Smith et al.	D8/82
D278,593	S	*	4/1985	MacGregor	D8/83
D288,656	S	*	3/1987	Smith	D8/82
D309,246	S	*	7/1990	Cascio et al.	D8/82
D387,964	S	*	12/1997	Urvoy	D8/82
D401,493	S	*	11/1998	Lin	D8/107

D468,183	S	*	1/2003	Hu	D8/83
D470,369	S	*	2/2003	Byram et al.	D8/25
D494,829	S	*	8/2004	Lin	D8/83
D497,668	S	*	10/2004	Bogazzi	D24/133
D510,247	S	*	10/2005	White	D8/68
7,069,823	B1	*	7/2006	Howell	81/177.1
D534,052	S	*	12/2006	Lin	D8/107
D616,718	S	*	6/2010	van der Lande	D8/85
D622,564	S	*	8/2010	Huang	D8/25
D622,565	S	*	8/2010	Huang	D8/25

* cited by examiner

Primary Examiner — Philip S Hyder

Assistant Examiner — Roselynn Cody

(74) *Attorney, Agent, or Firm* — Dan DeLaRosa

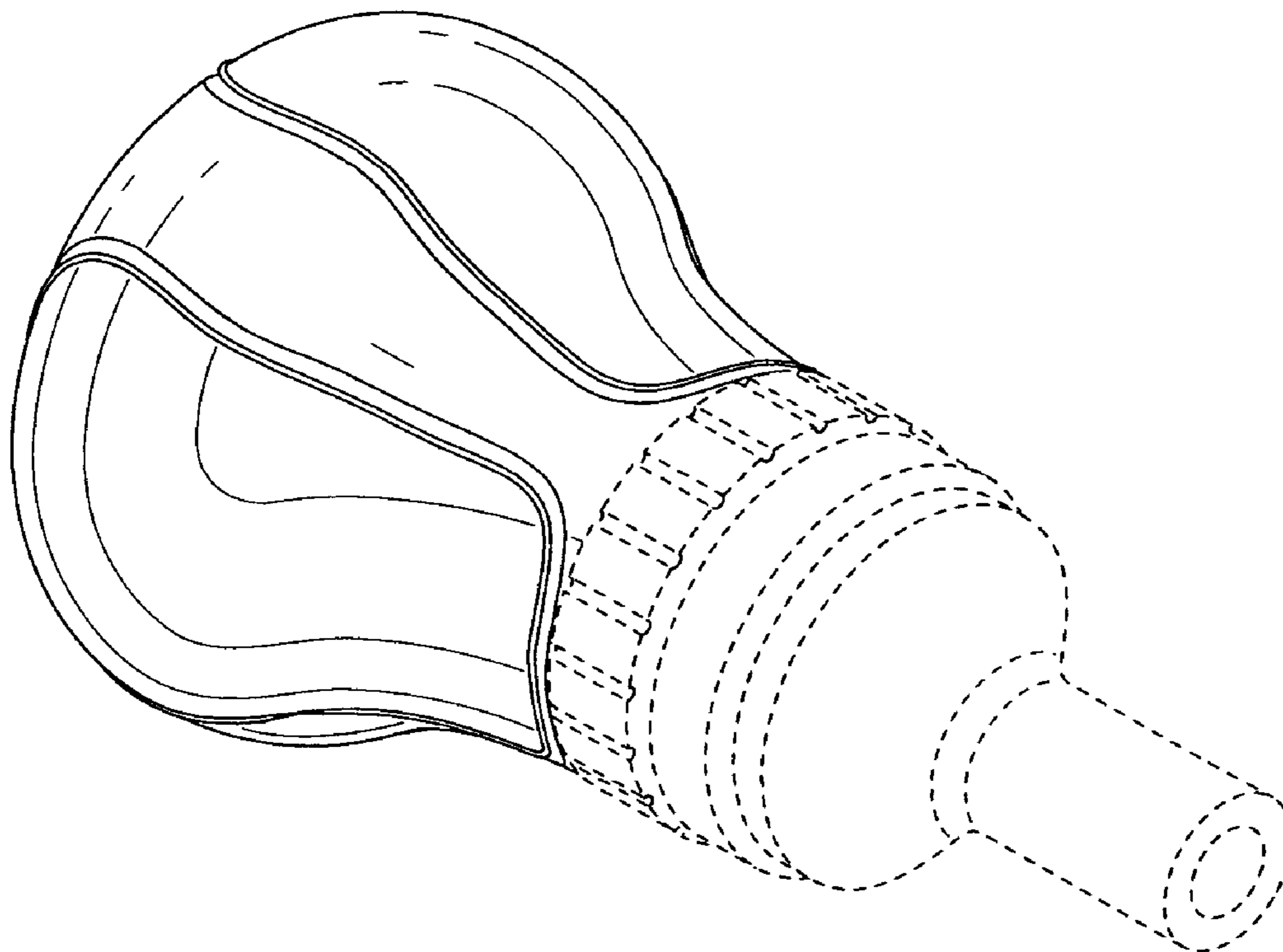
(57) **CLAIM**

The ornamental design for a screwdriver handle, as shown and described.

DESCRIPTION

FIG. 1 is a front perspective view of the screwdriver handle of the present invention showing my new design; FIG. 2 is a front side elevational view thereof; FIG. 3 is a back side elevational view thereof; FIG. 4 is a side elevational view thereof; FIG. 5 is another side elevational view thereof; FIG. 6 is a top plan view thereof; and, FIG. 7 is a bottom plan view thereof. The broken lines in the drawings illustrate features that form no part of the claimed design.

1 Claim, 4 Drawing Sheets



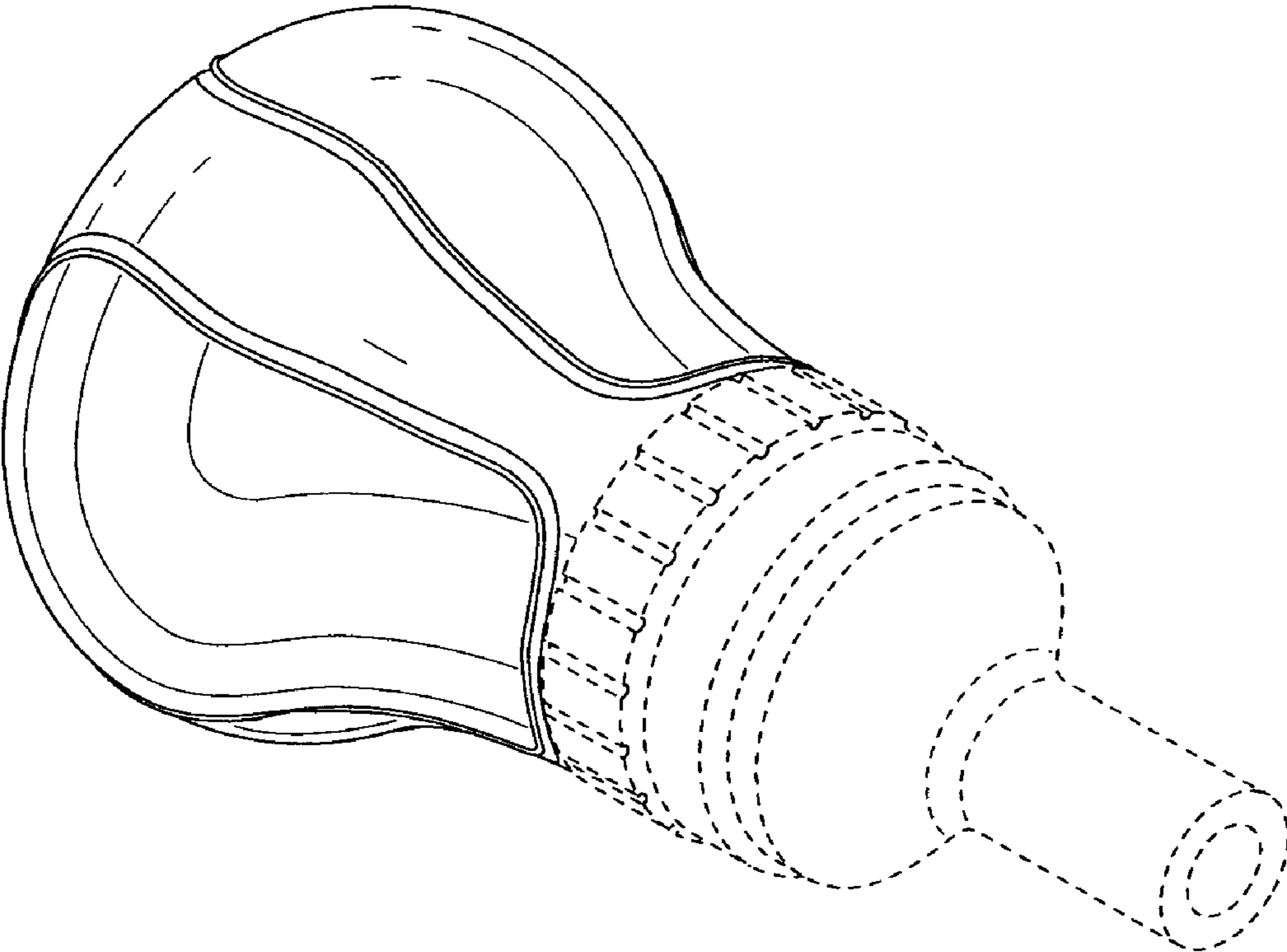


FIG. 1

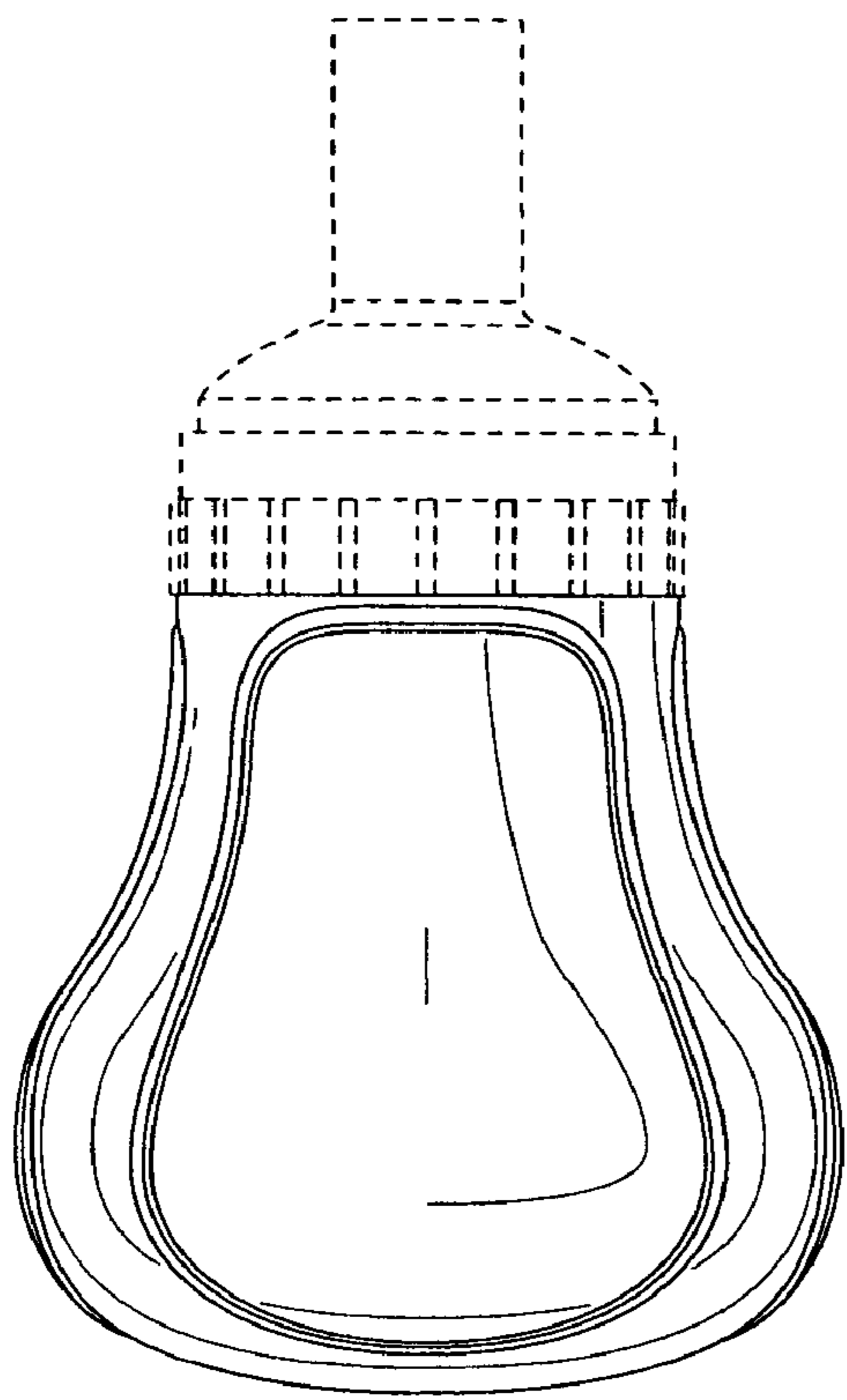


FIG. 2

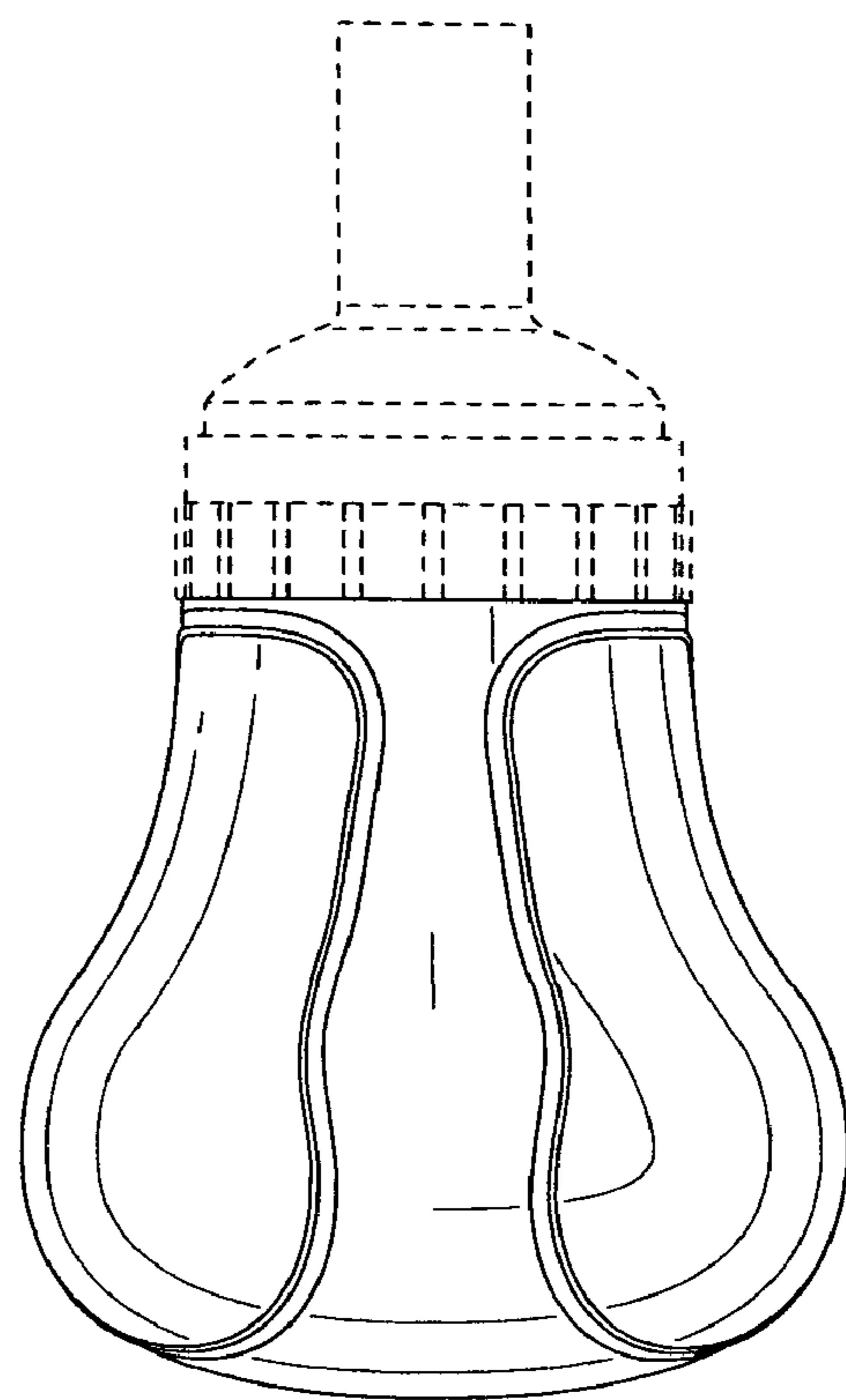


FIG. 3

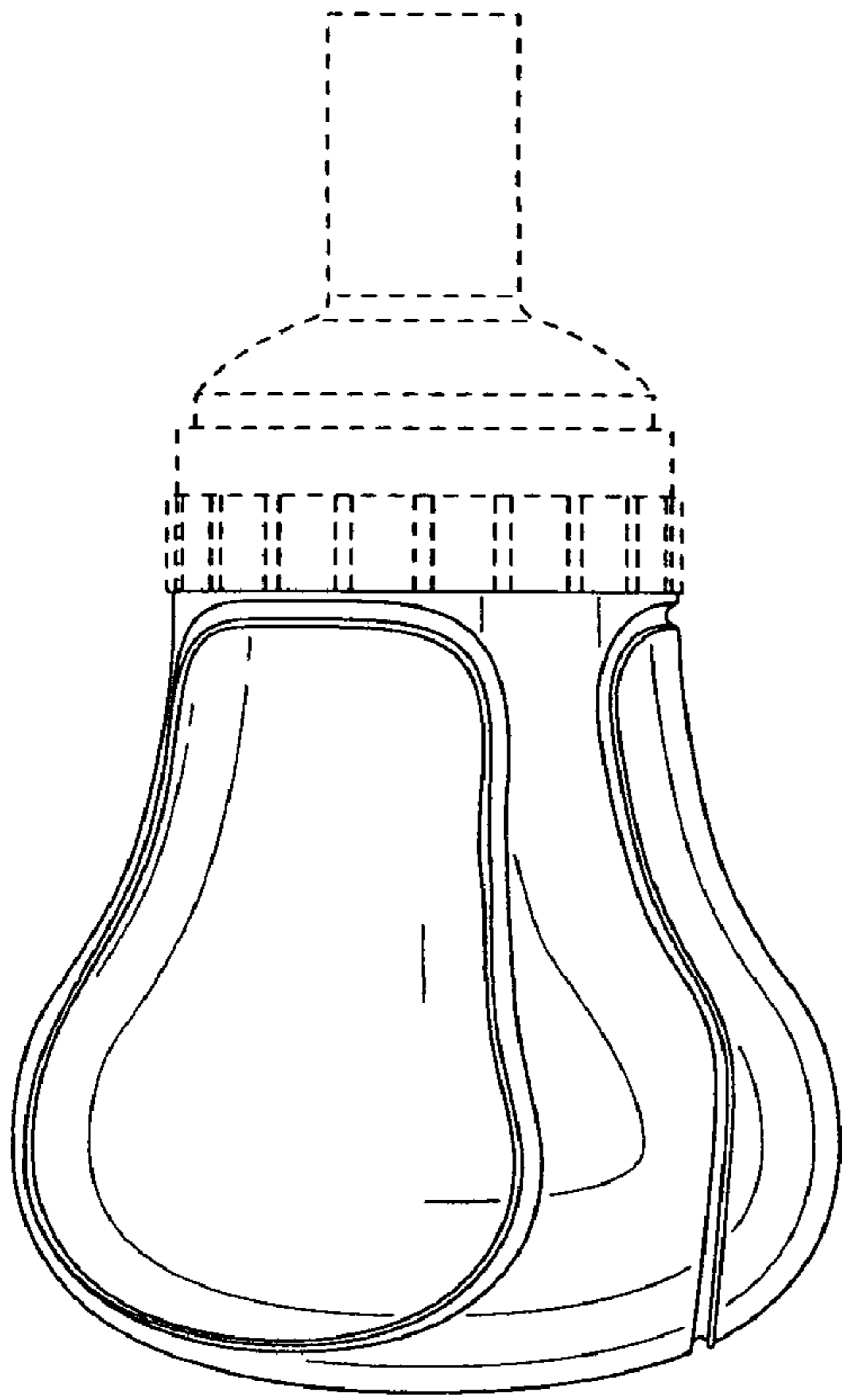


FIG. 4

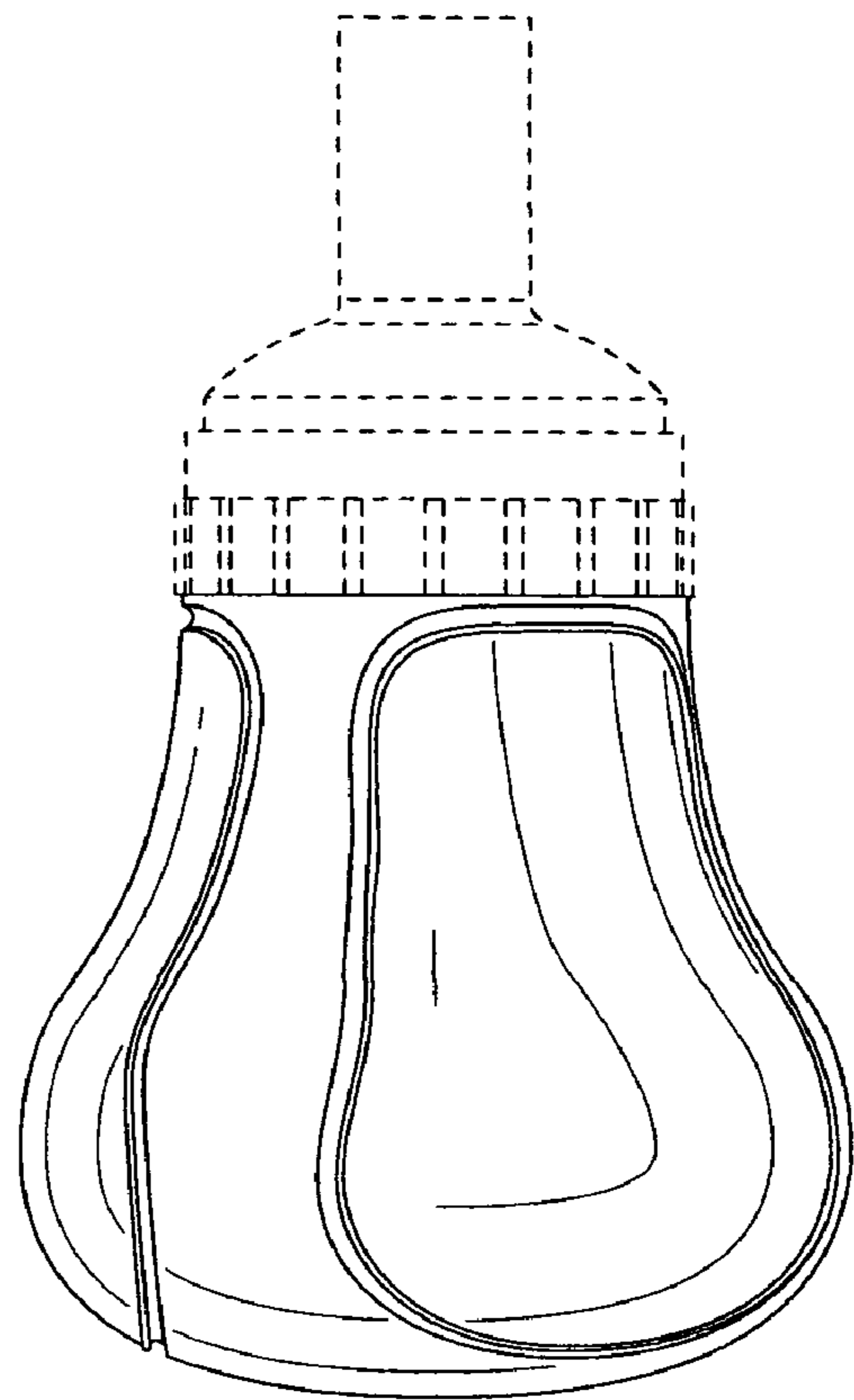


FIG. 5

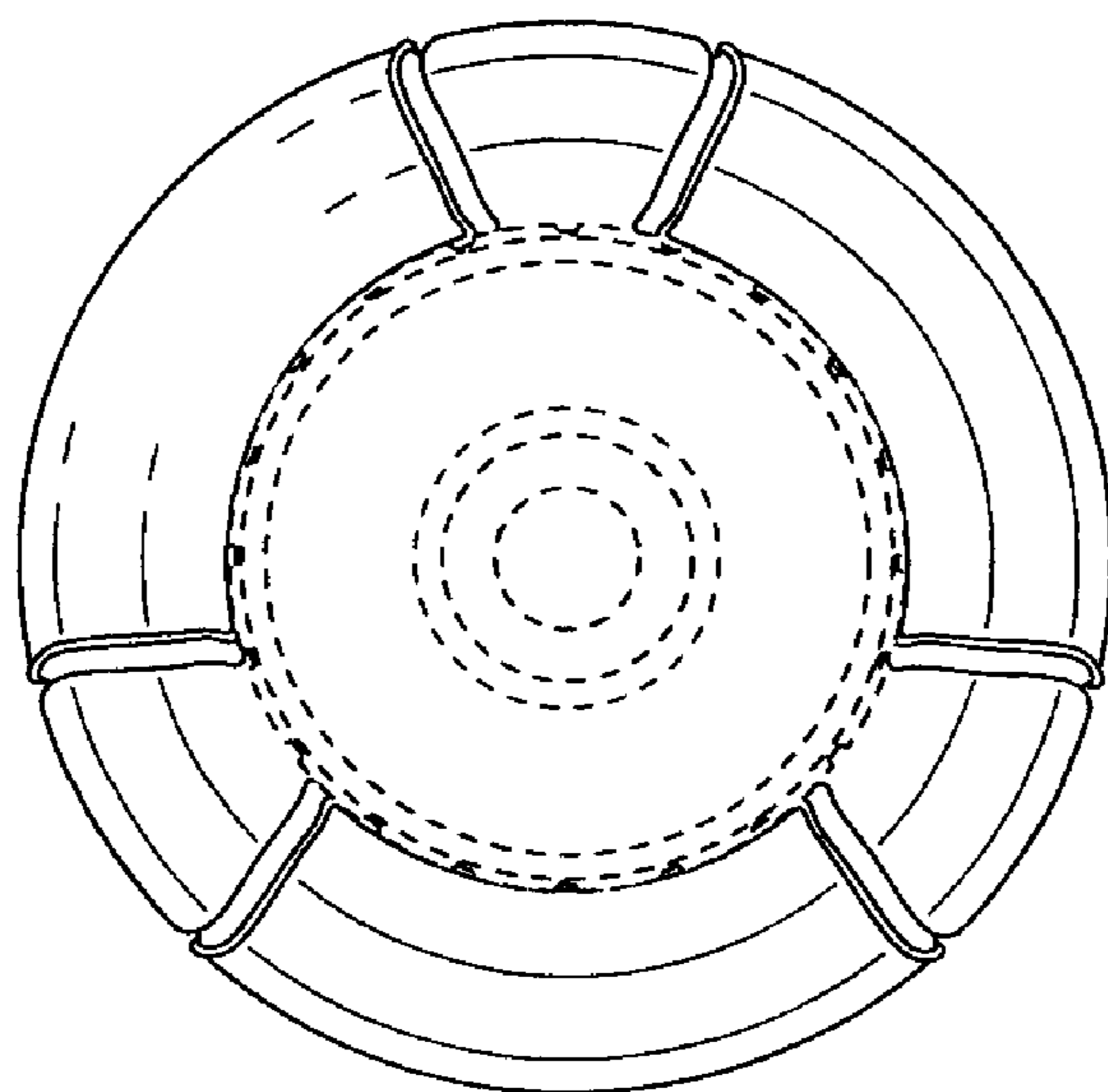


FIG. 6

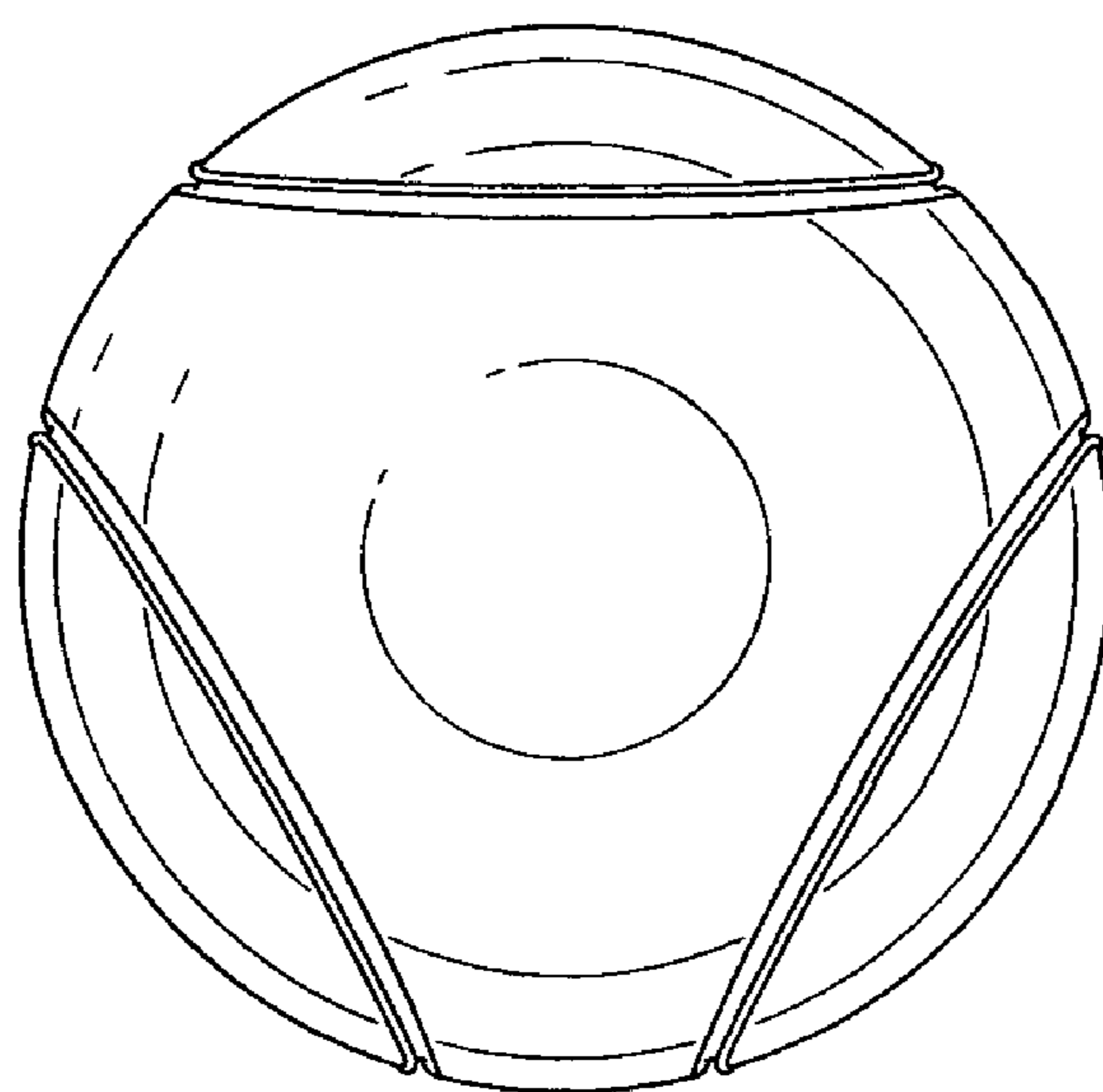


FIG. 7