



US00D635429S

(12) **United States Design Patent**  
**Hakki**

(10) **Patent No.:** **US D635,429 S**

(45) **Date of Patent:** **\*\* Apr. 5, 2011**

(54) **FASTENINGS, SUPPORTS OR ASSEMBLIES**

D589,319 S \* 3/2009 Peters ..... D8/70  
\* cited by examiner

(75) Inventor: **Aygun Hakki**, Krauchenwies (DE)

*Primary Examiner* — Antoine D Davis

(73) Assignee: **Guhring OHG** (DE)

(74) *Attorney, Agent, or Firm* — Cantor Colburn LLP

(\*\*) Term: **14 Years**

(57) **CLAIM**

(21) Appl. No.: **29/357,654**

I claim, the ornamental design for a fastenings, supports or assemblies, as shown and described.

(22) Filed: **Mar. 16, 2010**

**DESCRIPTION**

(30) **Foreign Application Priority Data**

Sep. 18, 2009 (EP) ..... 001612961

(51) **LOC (9) Cl.** ..... **08-03**

(52) **U.S. Cl.** ..... **D8/70; D15/140**

(58) **Field of Classification Search** ..... D8/61,  
D8/67-70; D15/140; 279/60-66, 157, 901,  
279/902; 408/56, 240

See application file for complete search history.

FIG. 1 is a perspective view of a fastenings, supports or assemblies, showing my new design;  
FIG. 2 is a first side elevation view thereof;  
FIG. 3 is a second side elevation view thereof;  
FIG. 4 is a third side elevation view thereof;  
FIG. 5 is a fourth side elevation view thereof;  
FIG. 6 is a bottom plan view thereof;  
FIG. 7 is a top plan view thereof;  
FIG. 8 is another perspective view thereof;  
FIG. 9 is a first side elevation view thereof;  
FIG. 10 is a second side elevation view thereof;  
FIG. 11 is a third side elevation view thereof;  
FIG. 12 is a fourth side elevation view thereof;  
FIG. 13 is a bottom plan view thereof; and,  
FIG. 14 is a top plan view thereof.

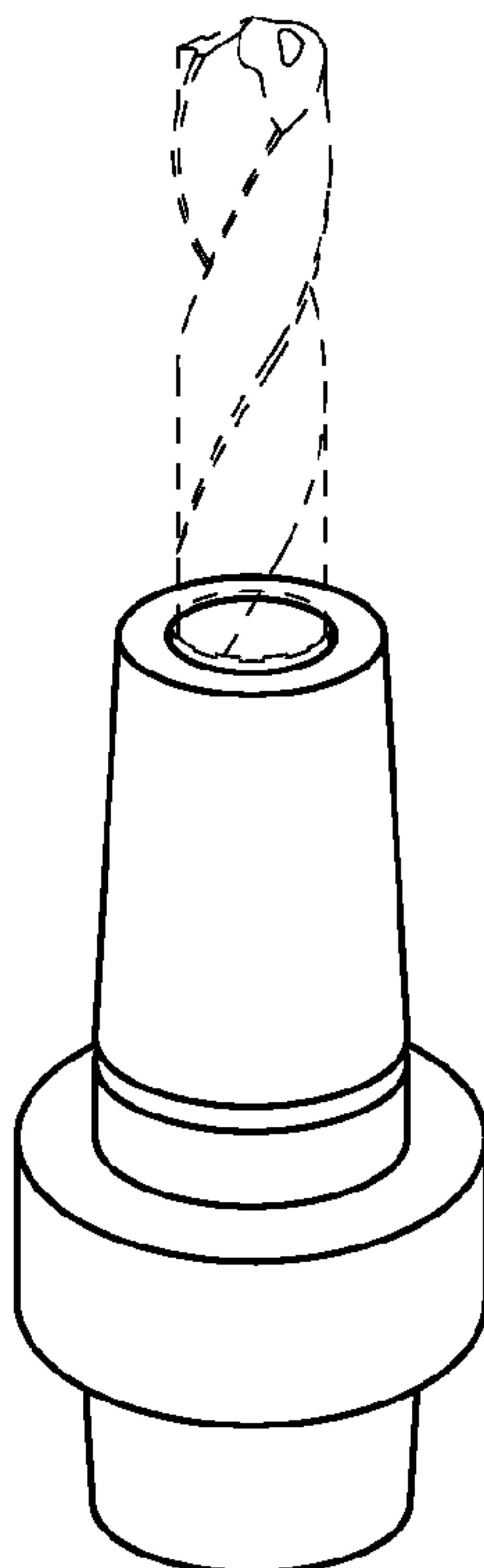
The broken line showing of structural features is included for the purpose of illustrating non-claimed subject matter and forms no part of the claimed design.

(56) **References Cited**

**U.S. PATENT DOCUMENTS**

D293,798	S	*	1/1988	Johnson	.....	D15/140
5,030,048	A	*	7/1991	Massa	.....	408/240
5,127,780	A	*	7/1992	Massa	.....	408/240
5,311,654	A	*	5/1994	Cook	.....	408/56
5,702,211	A	*	12/1997	Roemer et al.	.....	408/56
D457,046	S	*	5/2002	Boyle et al.	.....	D8/70
D488,170	S	*	4/2004	Sollami	.....	D15/140
D544,507	S	*	6/2007	Crouch	.....	D15/140

**1 Claim, 4 Drawing Sheets**



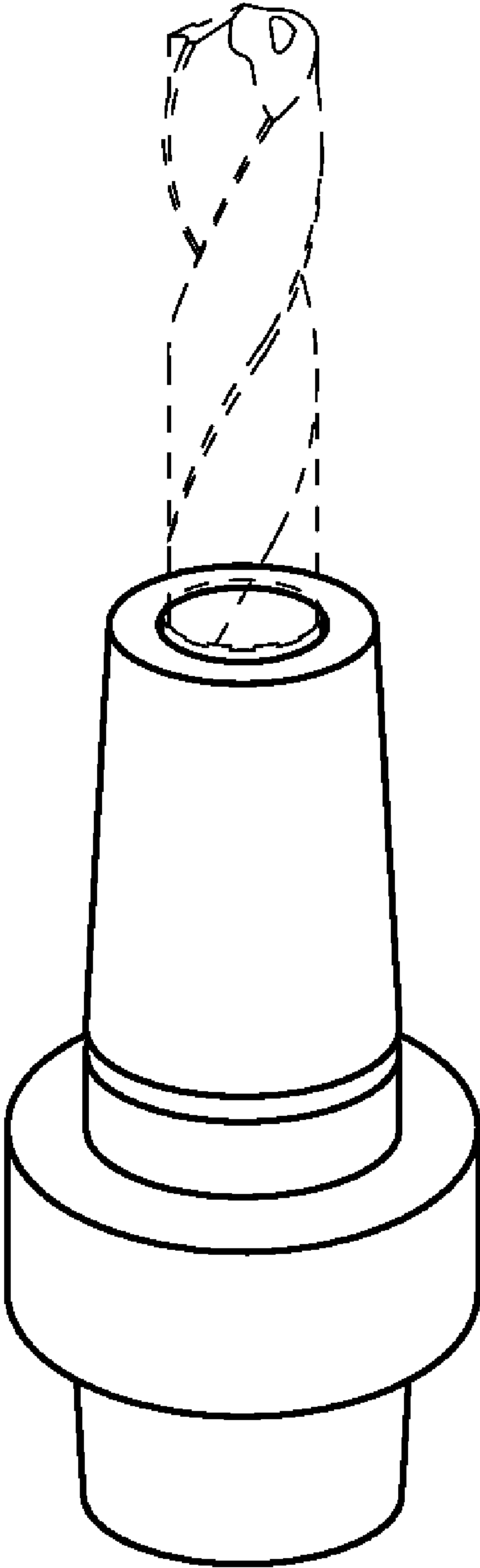


Fig. 1

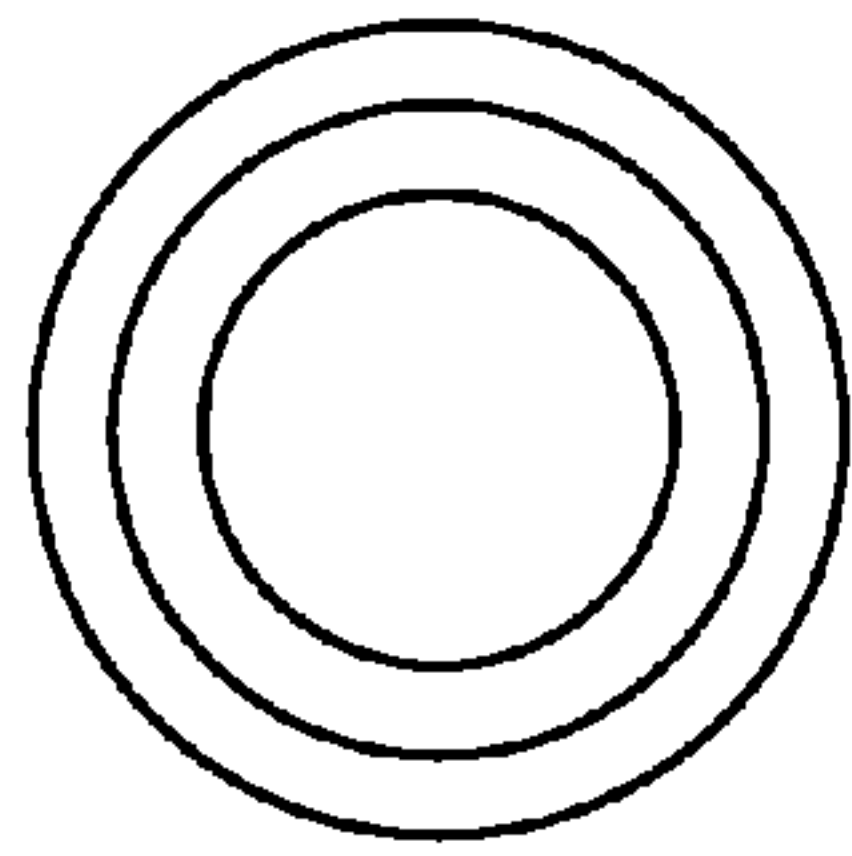


Fig. 6

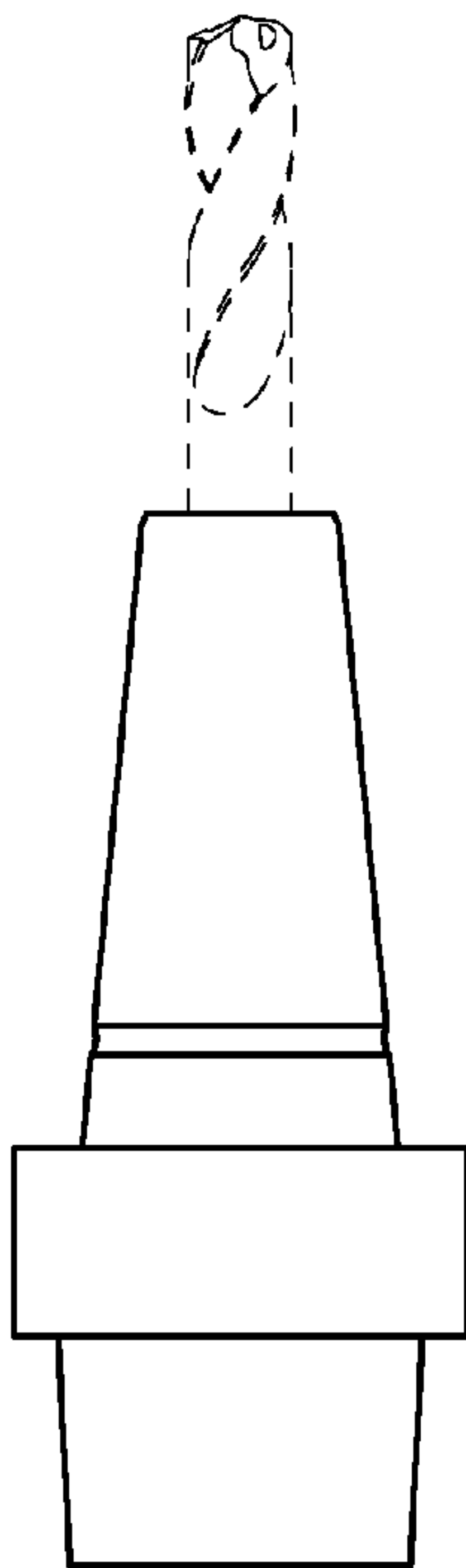


Fig. 2

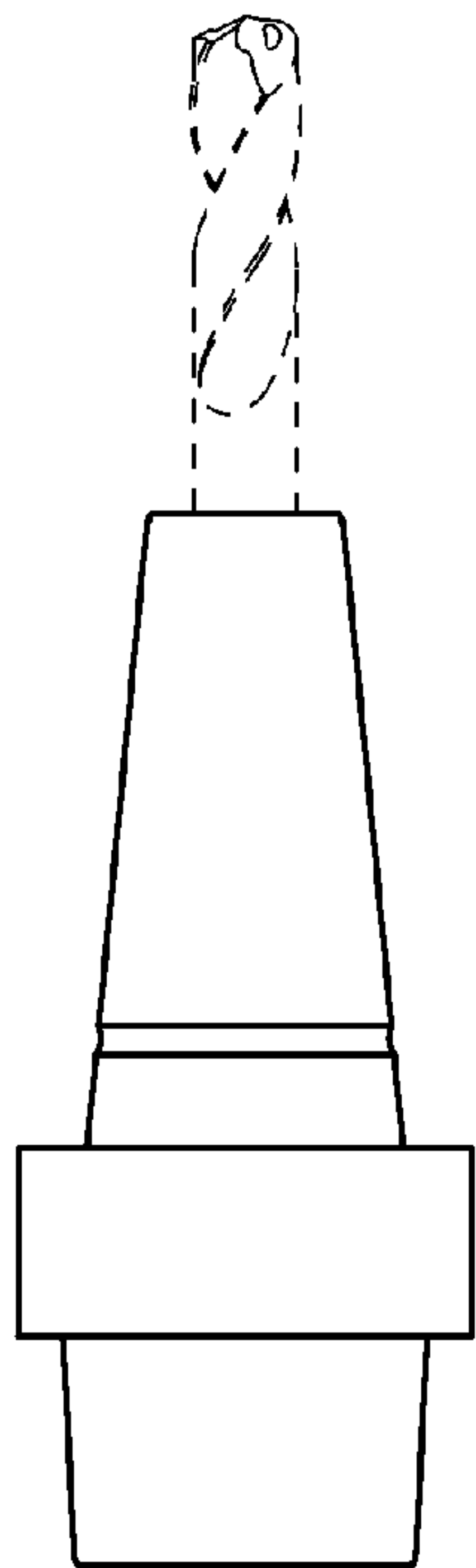


Fig. 3

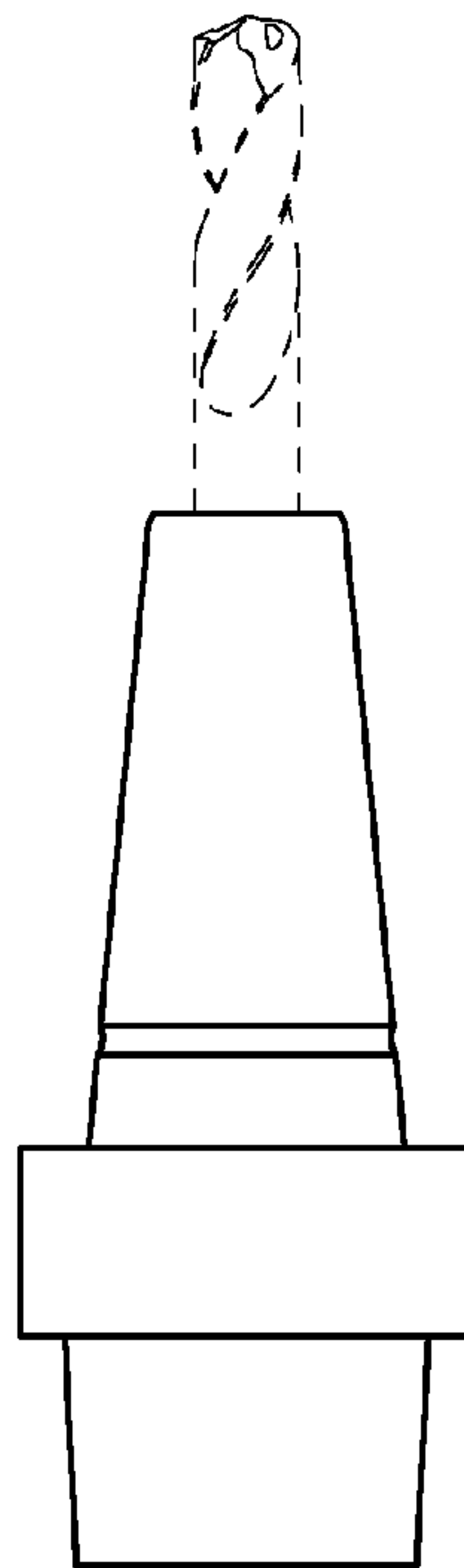


Fig. 4

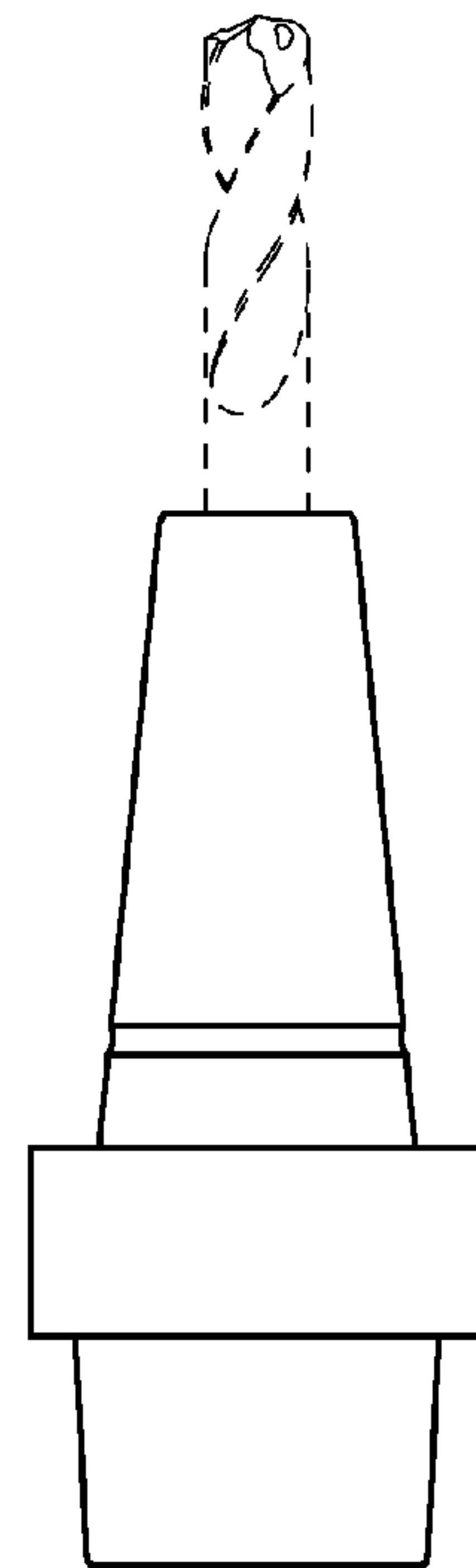


Fig. 5

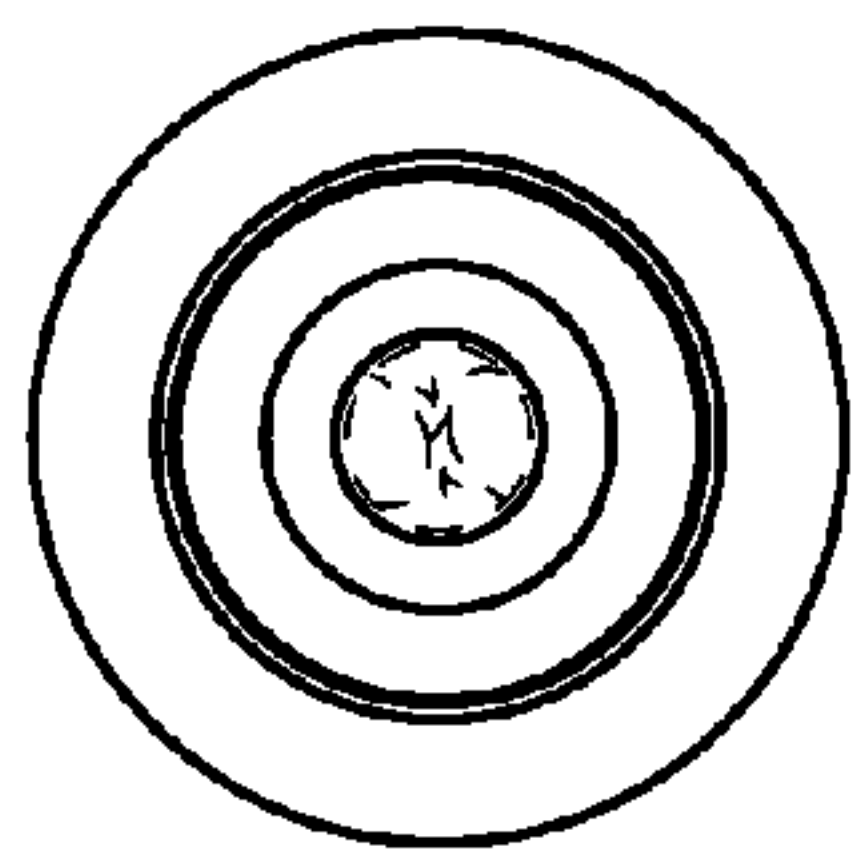


Fig. 7

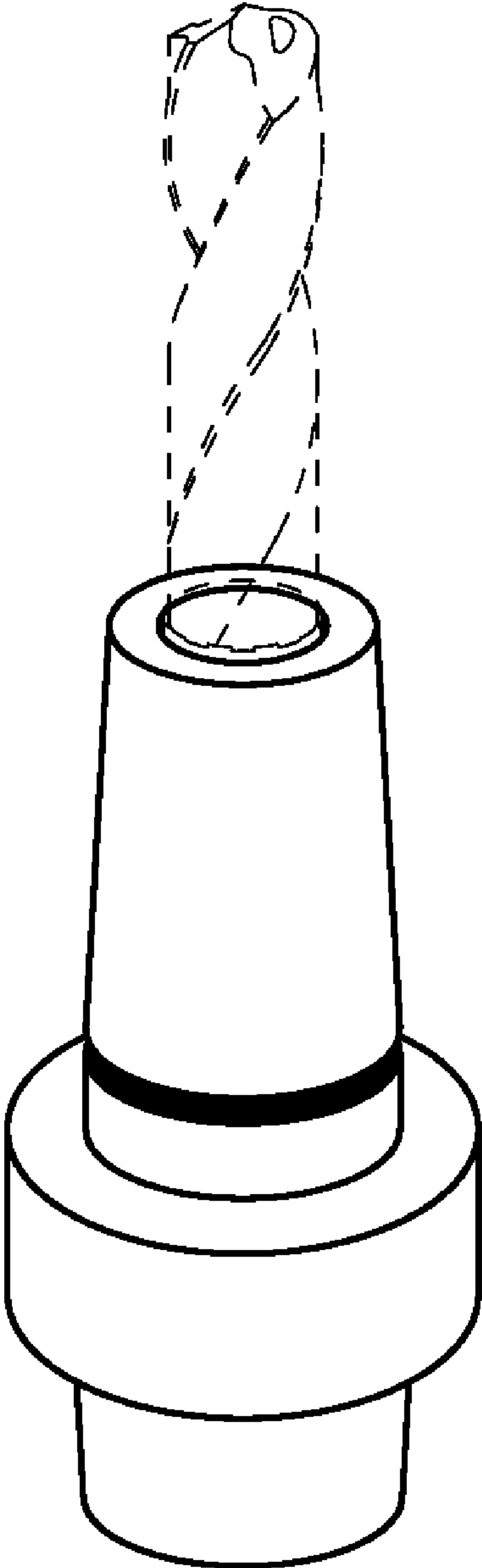


Fig. 8

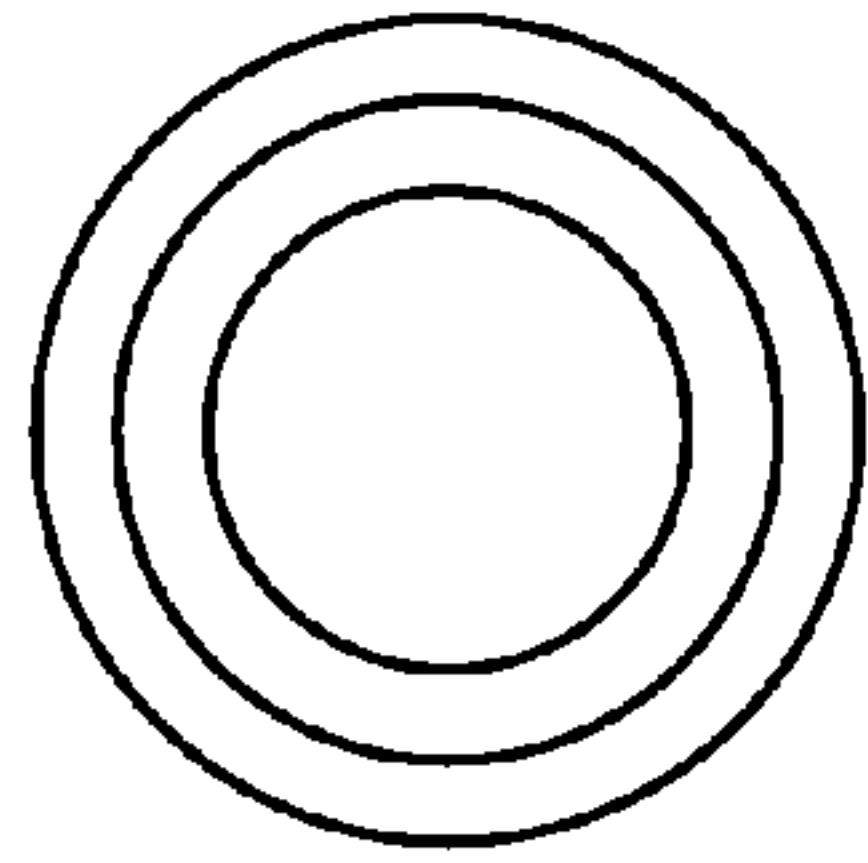


Fig. 13

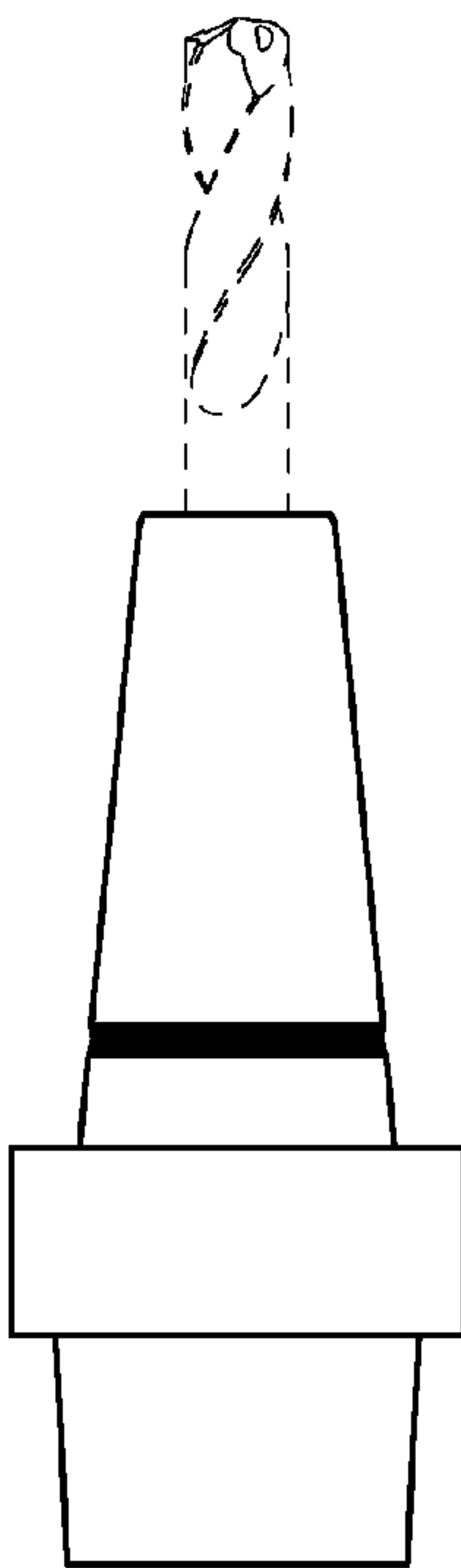


Fig. 9

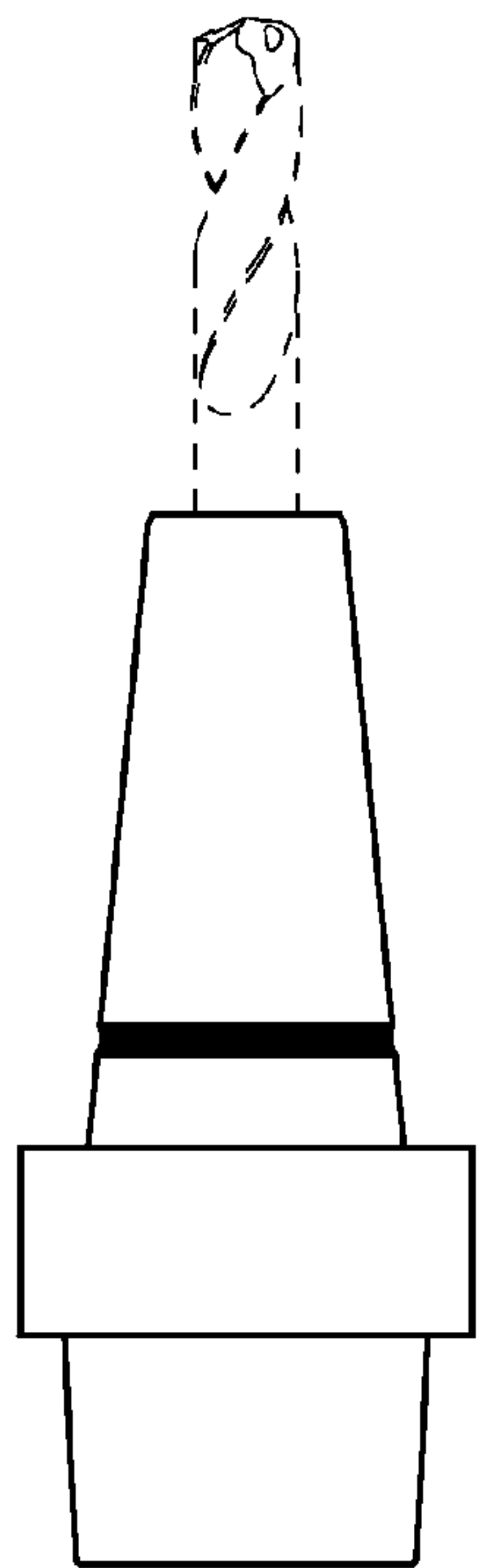


Fig. 10

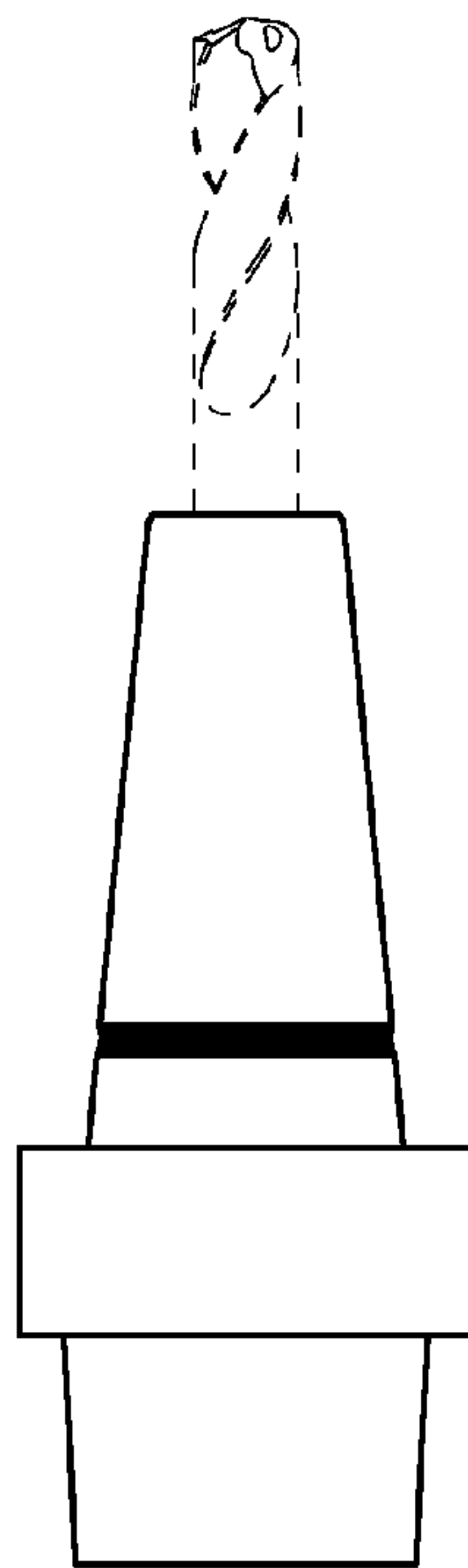


Fig. 11

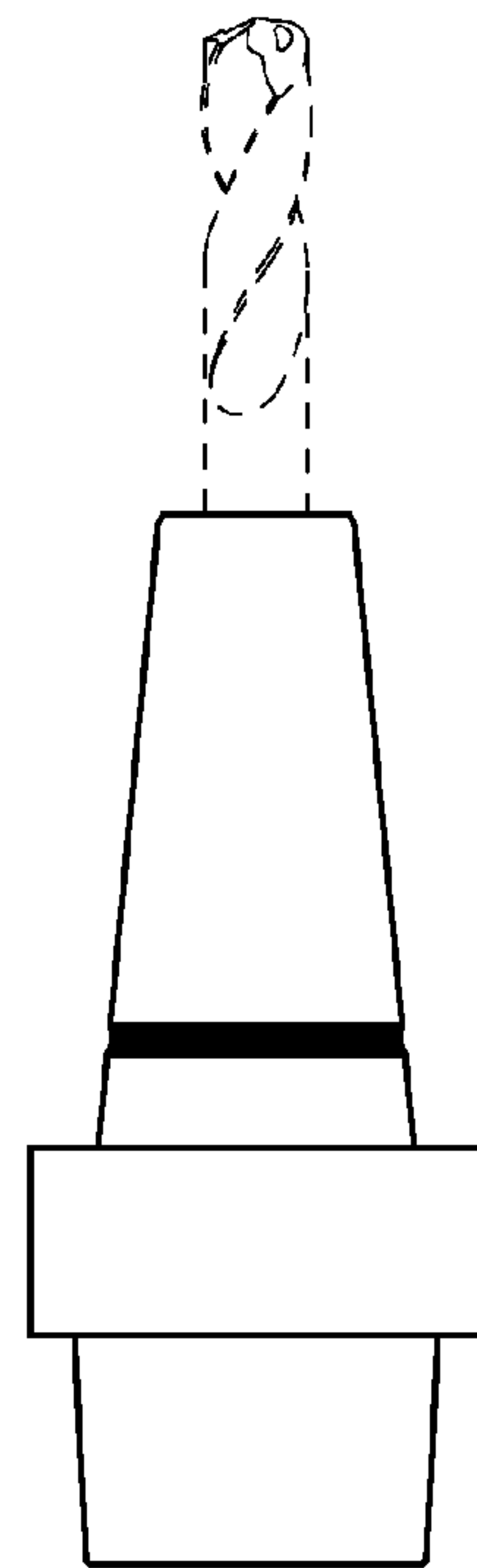


Fig. 12

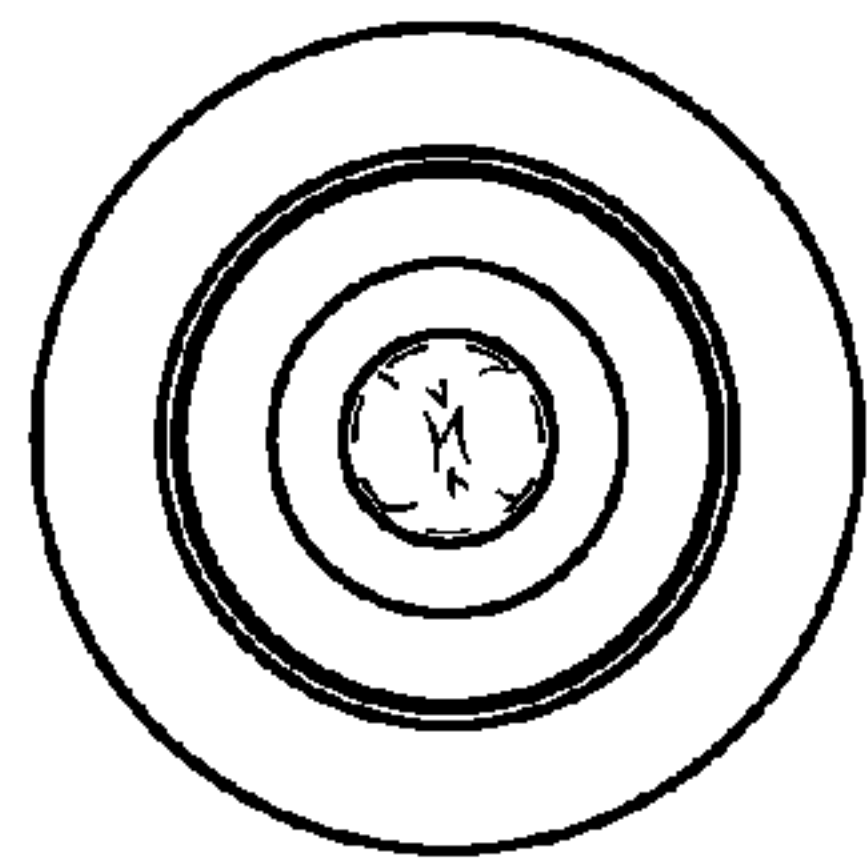


Fig. 14

UNITED STATES PATENT AND TRADEMARK OFFICE  
**CERTIFICATE OF CORRECTION**

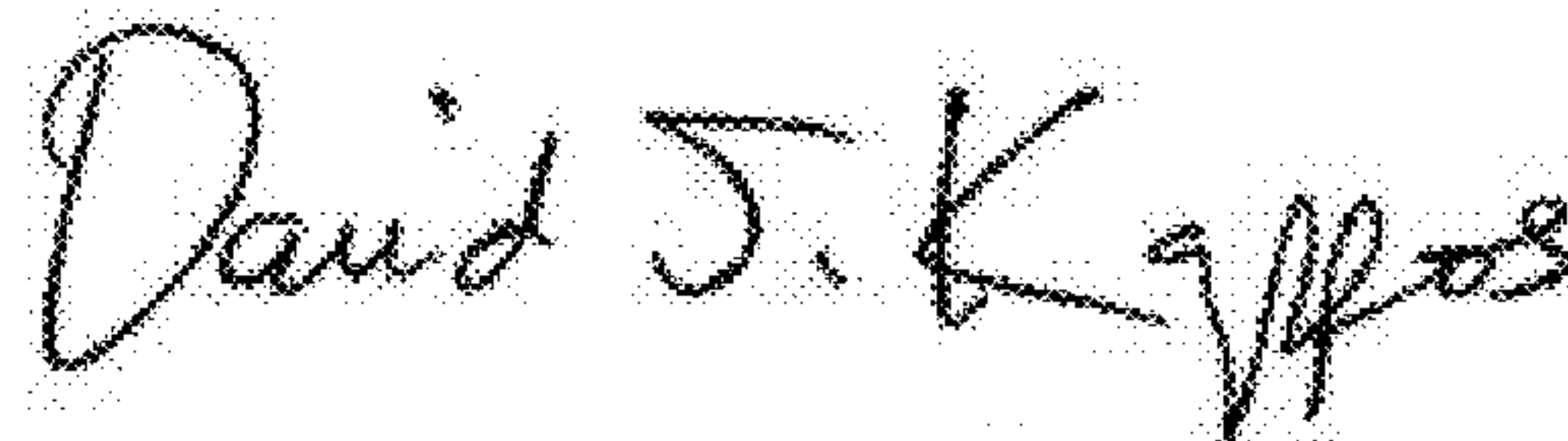
PATENT NO. : D635,429 S  
APPLICATION NO. : 29/357654  
DATED : April 5, 2011  
INVENTOR(S) : Aygun Hakki

Page 1 of 1

It is certified that error appears in the above-identified patent and that said Letters Patent is hereby corrected as shown below:

On the title page item (30),  
The Foreign Application Priority Data is listed as “(EP).....001612961”, and must be corrected to:  
“(EM).....001612961”.

Signed and Sealed this  
Ninth Day of August, 2011

A handwritten signature in black ink that reads "David J. Kappos". The signature is written in a cursive, slightly slanted style.

David J. Kappos  
*Director of the United States Patent and Trademark Office*