



US00D635425S

(12) **United States Design Patent**
Lau

(10) **Patent No.:** **US D635,425 S**

(45) **Date of Patent:** **** Apr. 5, 2011**

(54) **STAPLELESS STAPLER**

(75) Inventor: **Tung Yan Lau**, Fotan (HK)

(73) Assignee: **Design Manufacture Limited**, Fotan,
N.T. (HK)

(**) Term: **14 Years**

(21) Appl. No.: **29/346,315**

(22) Filed: **Oct. 29, 2009**

(30) **Foreign Application Priority Data**

Jul. 24, 2009 (HK) 0901174.7M001

(51) **LOC (9) Cl.** **19-02**

(52) **U.S. Cl.** **D8/49**

(58) **Field of Classification Search** D8/49,
D8/394, 395, 396; D19/65, 72, 99, 100;
24/67 R, 67.1, 67.3, 67.5, 67.7, 67.9, 67.11,
24/67 CF, 67 P, 570, DIG. 8, DIG. 9; 30/358;
281/44

See application file for complete search history.

(56) **References Cited**

U.S. PATENT DOCUMENTS

5,024,643 A * 6/1991 Kastner 493/351
D364,411 S * 11/1995 Wang D15/128
D393,657 S * 4/1998 Bennett D19/72
D395,676 S * 6/1998 Chiou D19/72
D397,725 S * 9/1998 Mori D19/72
D406,606 S * 3/1999 Lee D19/72

D407,752 S * 4/1999 Kim et al. D19/72
D420,049 S * 2/2000 Robillard D19/65
D463,497 S * 9/2002 Breche D19/72
D463,498 S * 9/2002 Breche D19/72
D511,356 S * 11/2005 Oh D19/72
D515,374 S * 2/2006 Sinisi D8/50
D529,552 S * 10/2006 Lau D19/65
D532,047 S * 11/2006 Oh D19/72

FOREIGN PATENT DOCUMENTS

FR DM/051894 * 5/2000

OTHER PUBLICATIONS

Eco Staple Free Stapler, Desktop Stapler, mfg. No. STN-451, 6 pages, first available on amazon.com Feb. 13, 2005, www.amazon.com, Nov. 12, 2010.*

* cited by examiner

Primary Examiner — Elizabeth A Albert

(57) **CLAIM**

The ornamental design for a stapleless stapler, as shown.

DESCRIPTION

FIG. 1 is a front elevational view of a stapleless stapler showing my new design;

FIG. 2 is a rear elevational view thereof;

FIG. 3 is a left side view thereof;

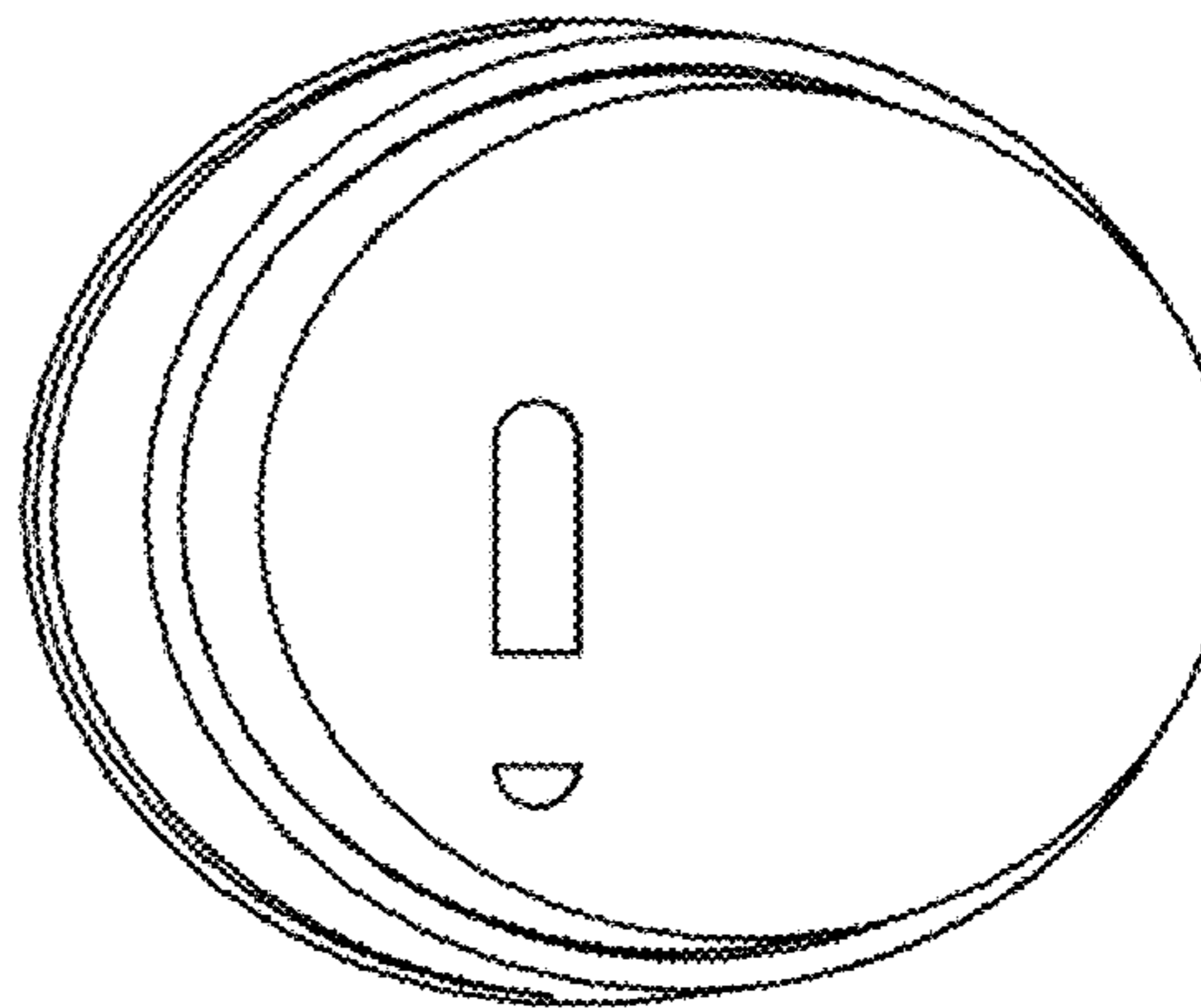
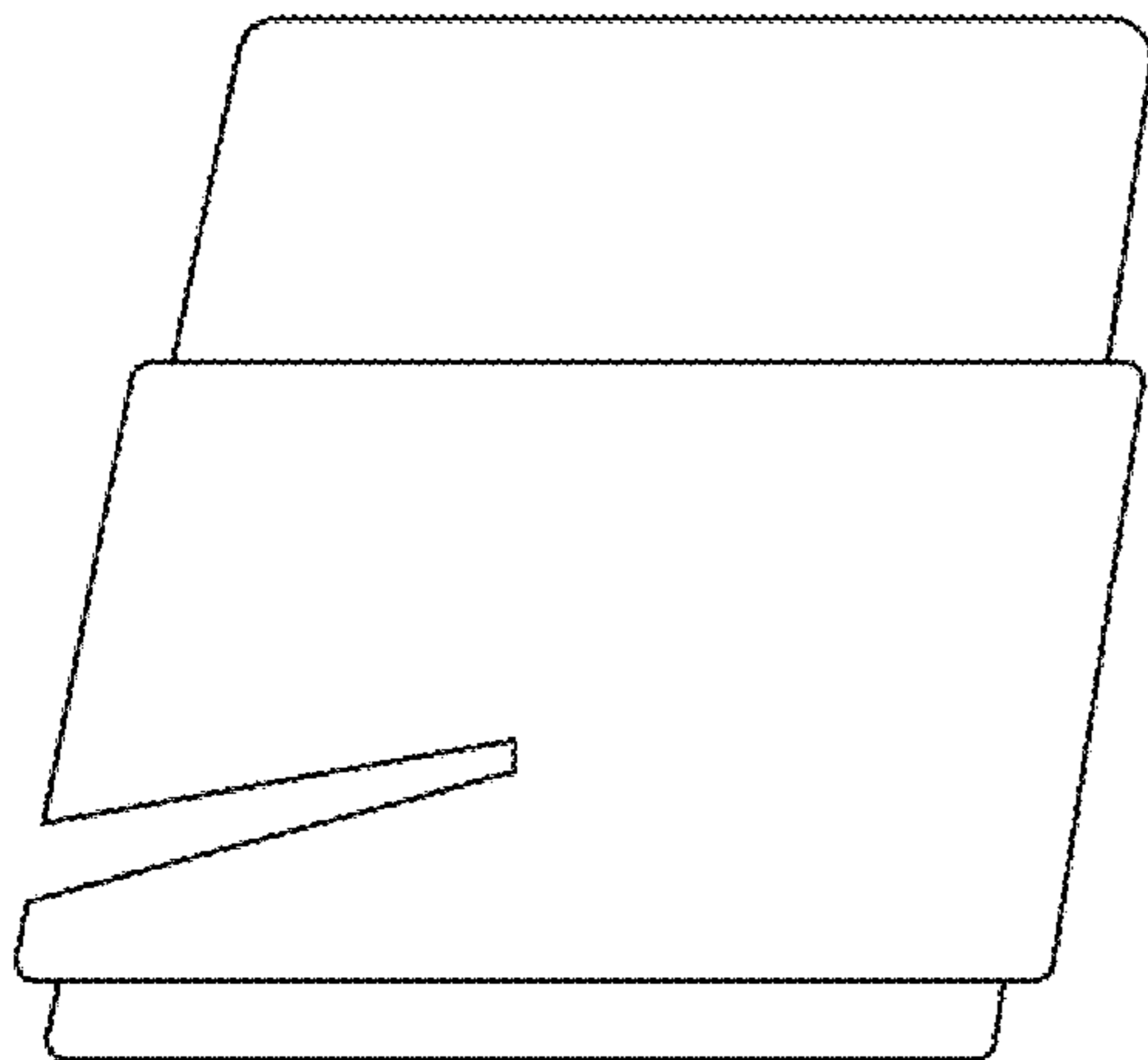
FIG. 4 is a right side view thereof;

FIG. 5 is a top plan view thereof;

FIG. 6 is a bottom plan view thereof; and,

FIG. 7 is a perspective view thereof.

1 Claim, 2 Drawing Sheets



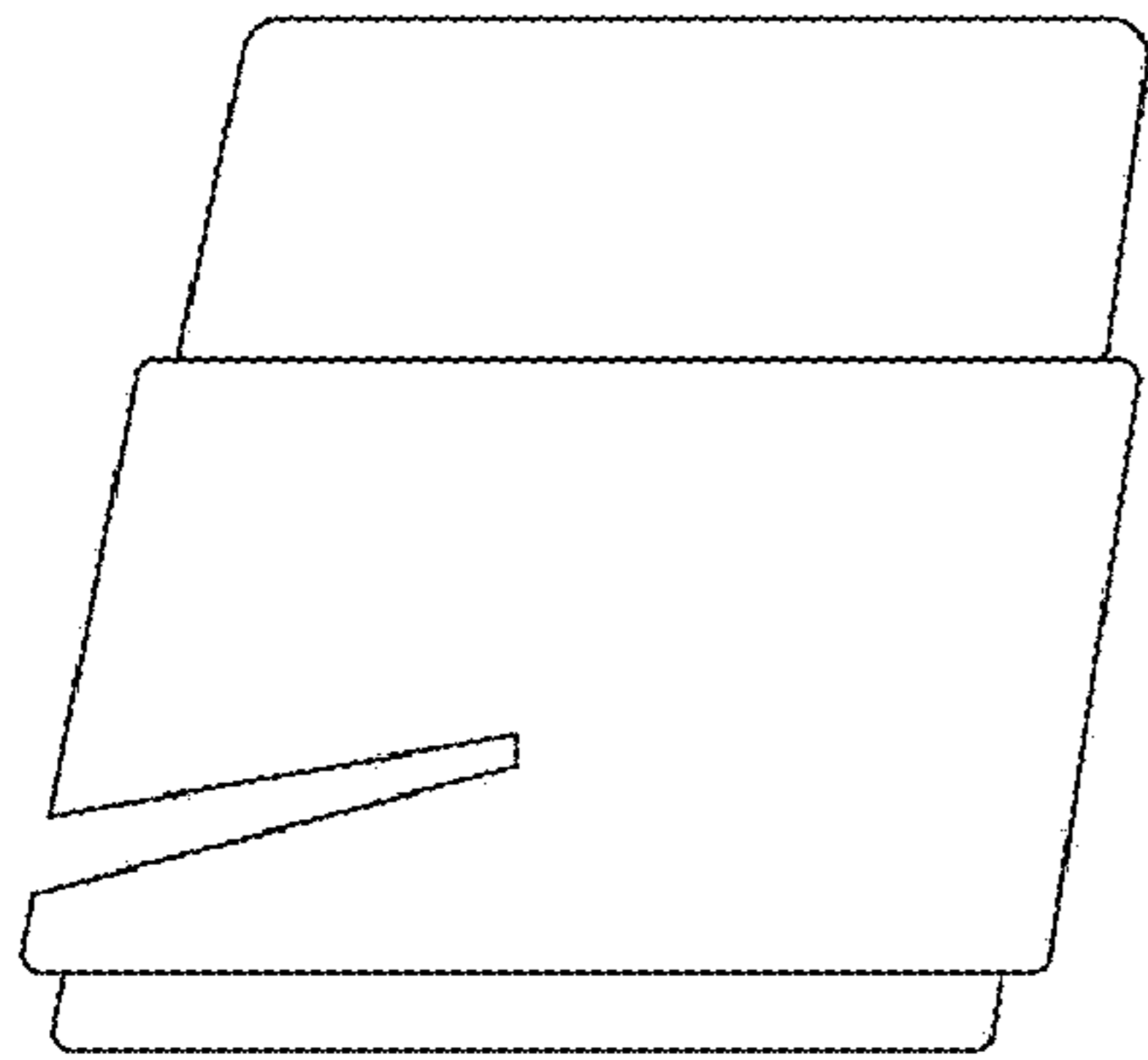


FIG. 1

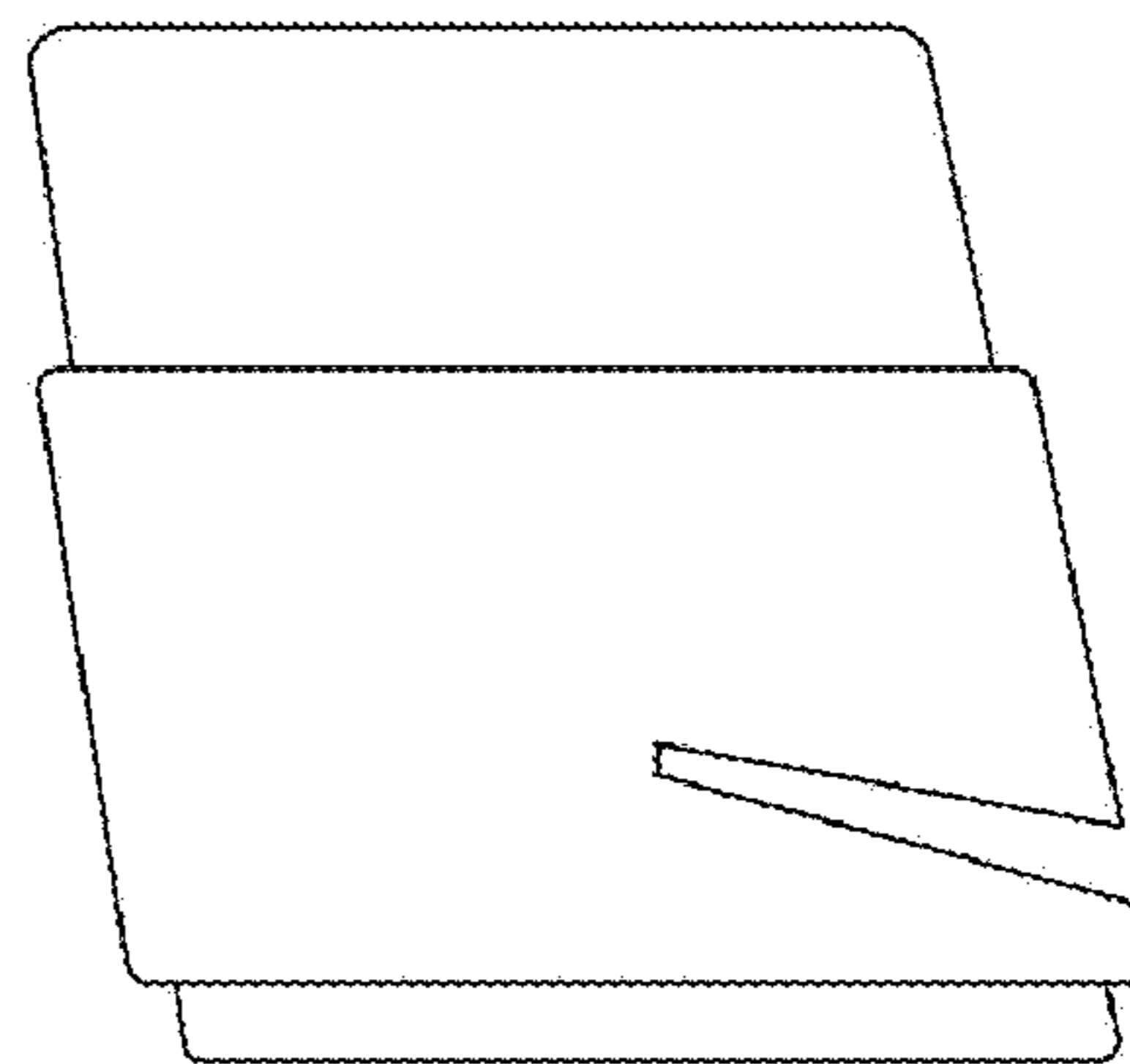


FIG. 2

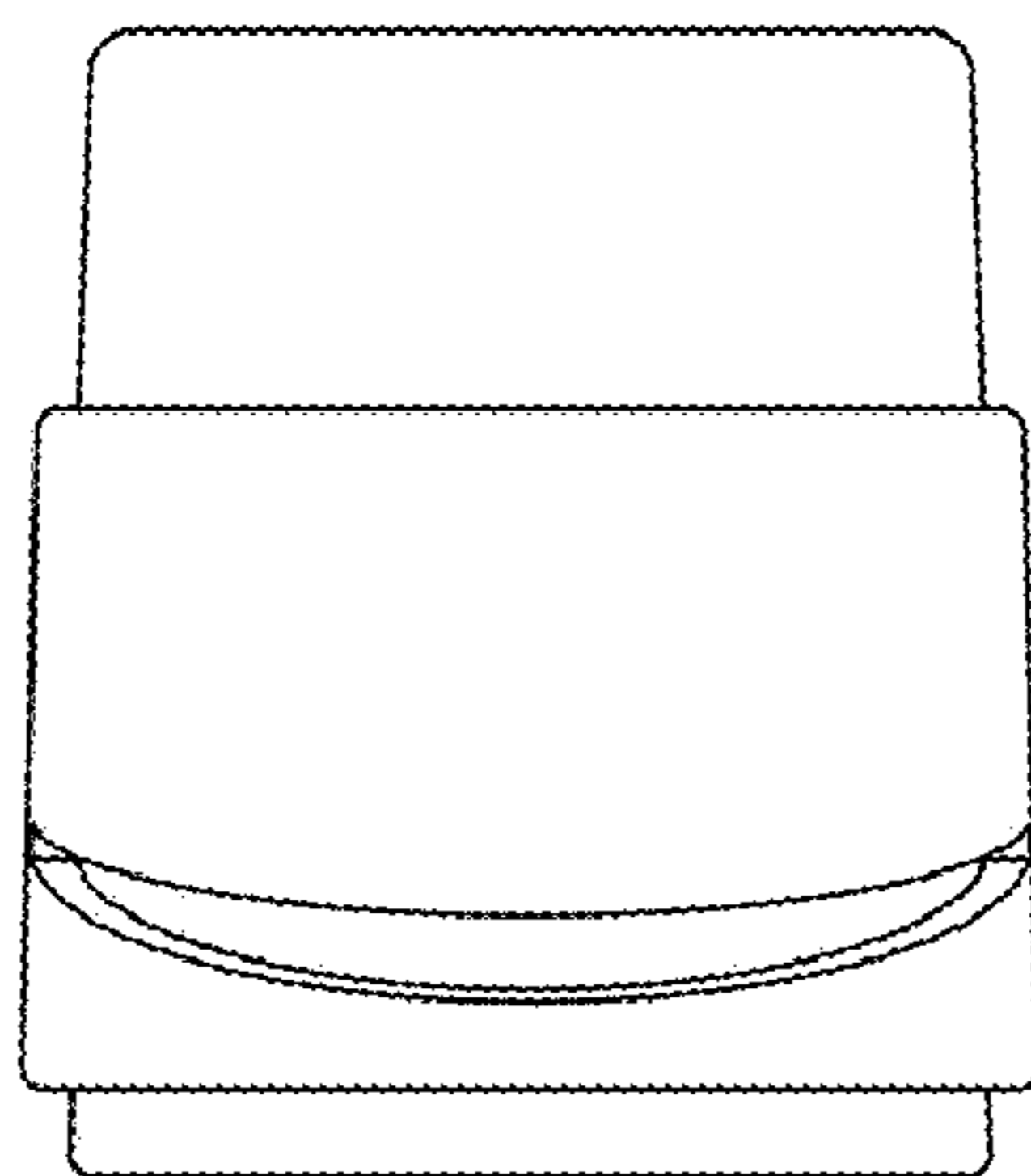


FIG. 3

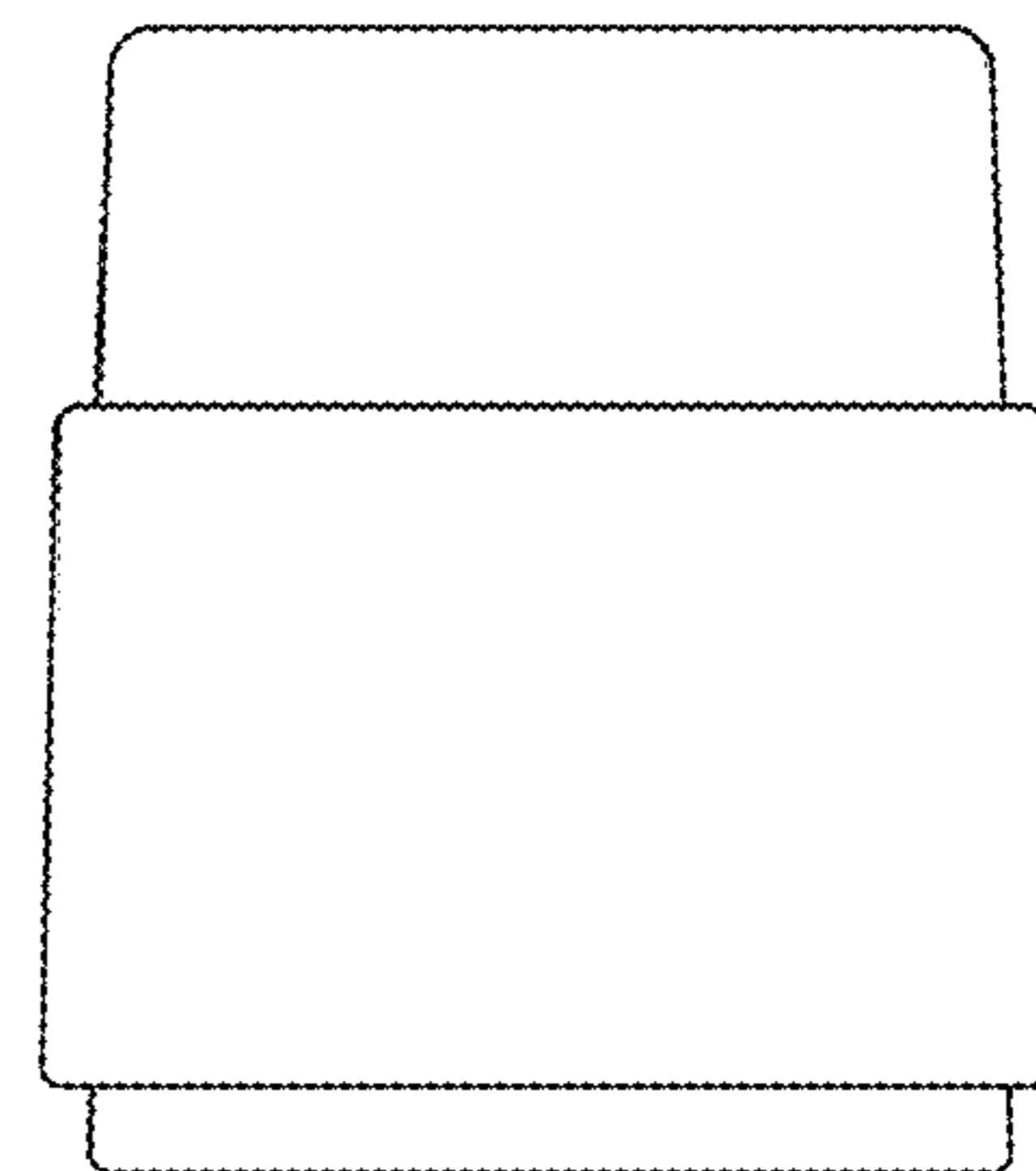


FIG. 4

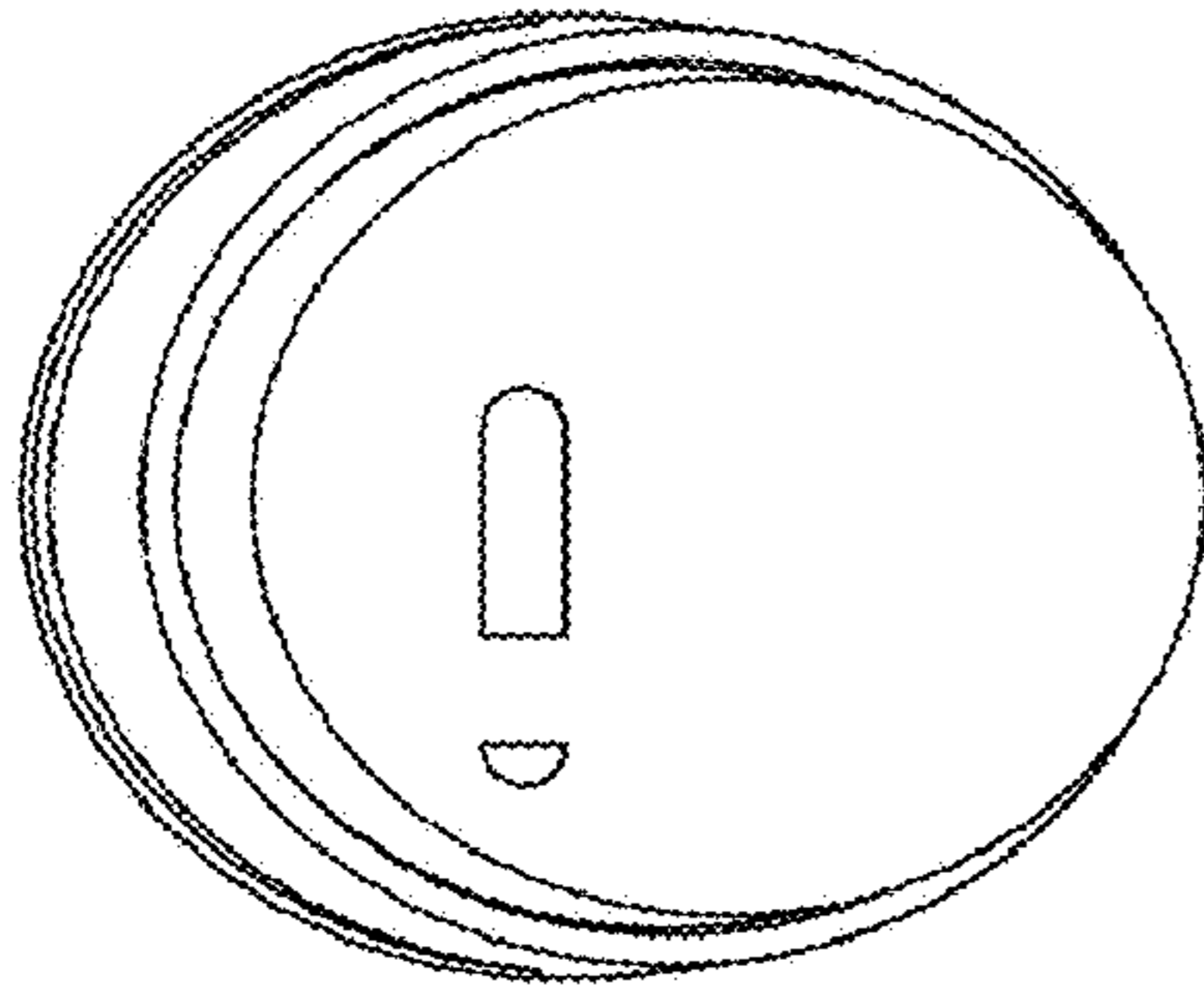


FIG. 5

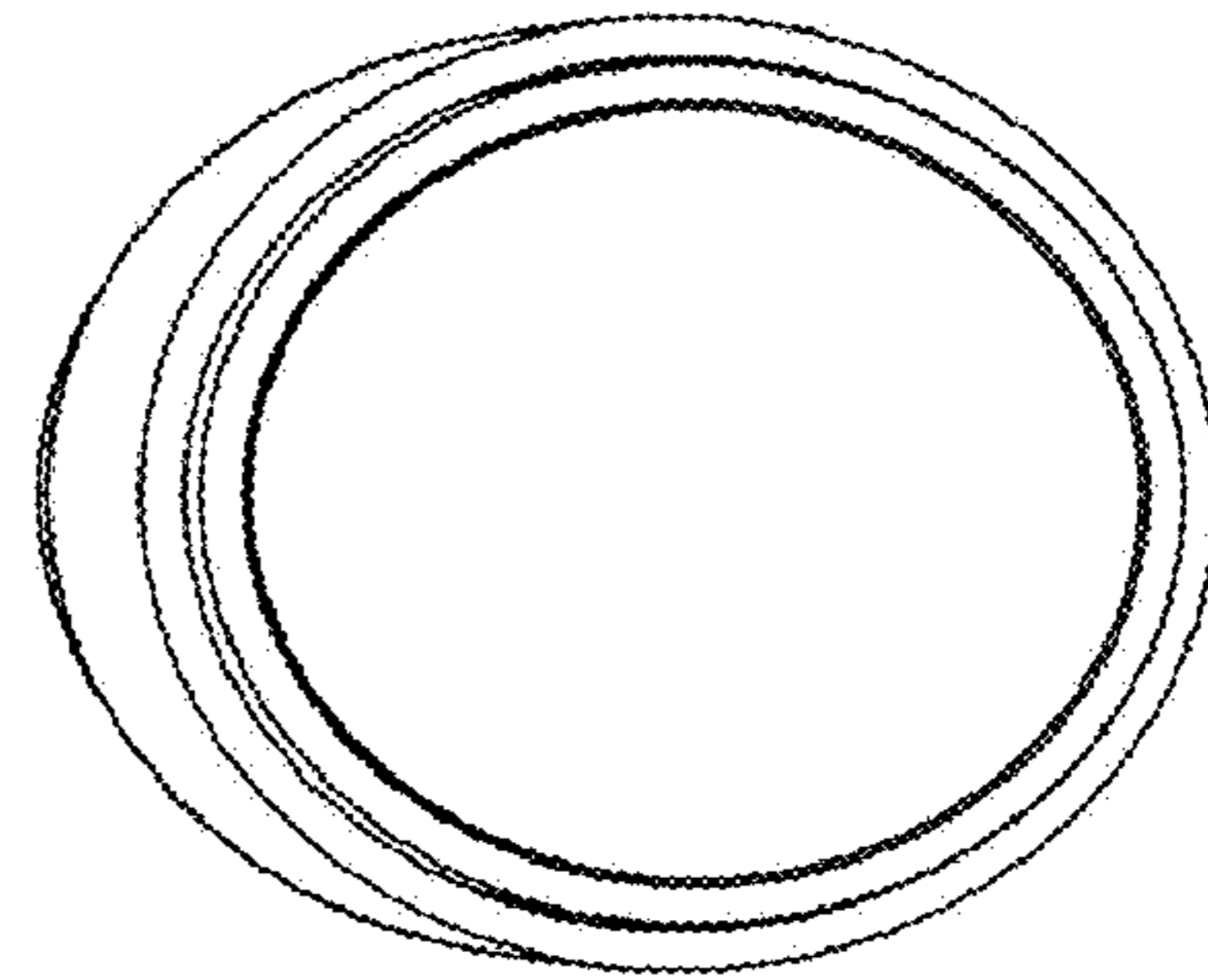


FIG. 6

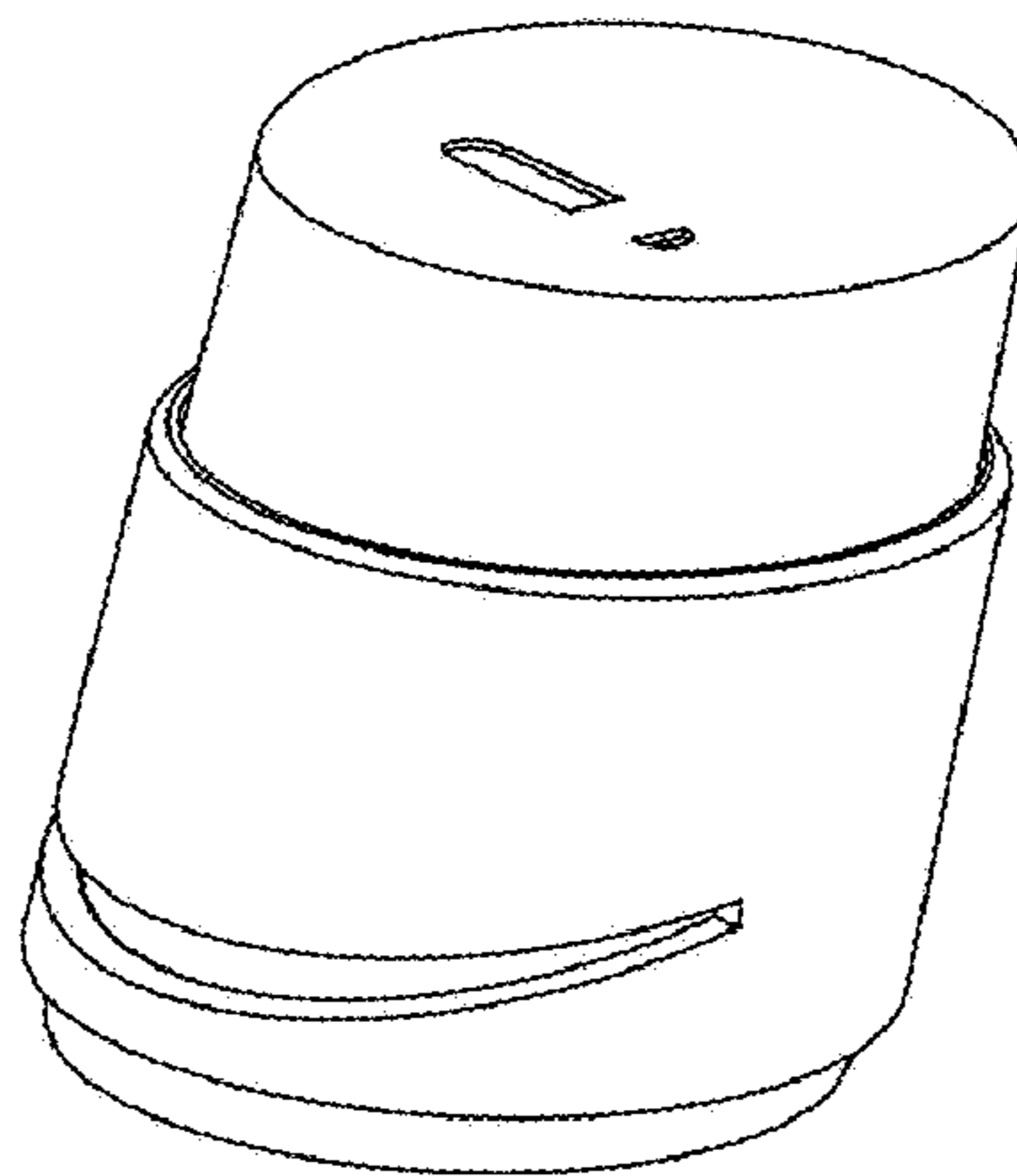


FIG. 7