



US00D635424S

(12) **United States Design Patent**
Morgan et al.

(10) **Patent No.:** **US D635,424 S**
(45) **Date of Patent:** **** Apr. 5, 2011**

(54) **CORKSCREW**

(75) Inventors: **Jeremy Morgan**, Palaiseau (FR); **Gary Cooke**, Reading (GB)

(73) Assignee: **Le Creuset SAS**, Fresnoy le Grand (FR)

(**) Term: **14 Years**

(21) Appl. No.: **29/366,242**

(22) Filed: **Jul. 22, 2010**

(30) **Foreign Application Priority Data**

Feb. 2, 2010 (EM) 0011 94989-0001

(51) **LOC (9) Cl.** **07-06**

(52) **U.S. Cl.** **D8/42**

(58) **Field of Classification Search** D8/14,
D8/16-20, 33-43, 88, 89, 105; 7/113, 151-156;
30/400-410, 416-430, 433, 434, 443, 450;
81/3.07, 3.09, 3.2, 3.27, 3.29, 3.31, 3.35,
81/3.37, 3.4, 3.45, 3.48, 3.49, 3.55

See application file for complete search history.

(56) **References Cited**

U.S. PATENT DOCUMENTS

D389,712 S * 1/1998 Usbeck D8/42
D412,094 S * 7/1999 Weibel D8/42

D429,613 S * 8/2000 Chang D8/42
D455,622 S * 4/2002 Tse D8/42
D572,988 S * 7/2008 Jalet D8/42
D582,231 S * 12/2008 Caroca D8/42

* cited by examiner

Primary Examiner — Garth Rademaker

(74) *Attorney, Agent, or Firm* — Wood, Herron & Evans, LLP

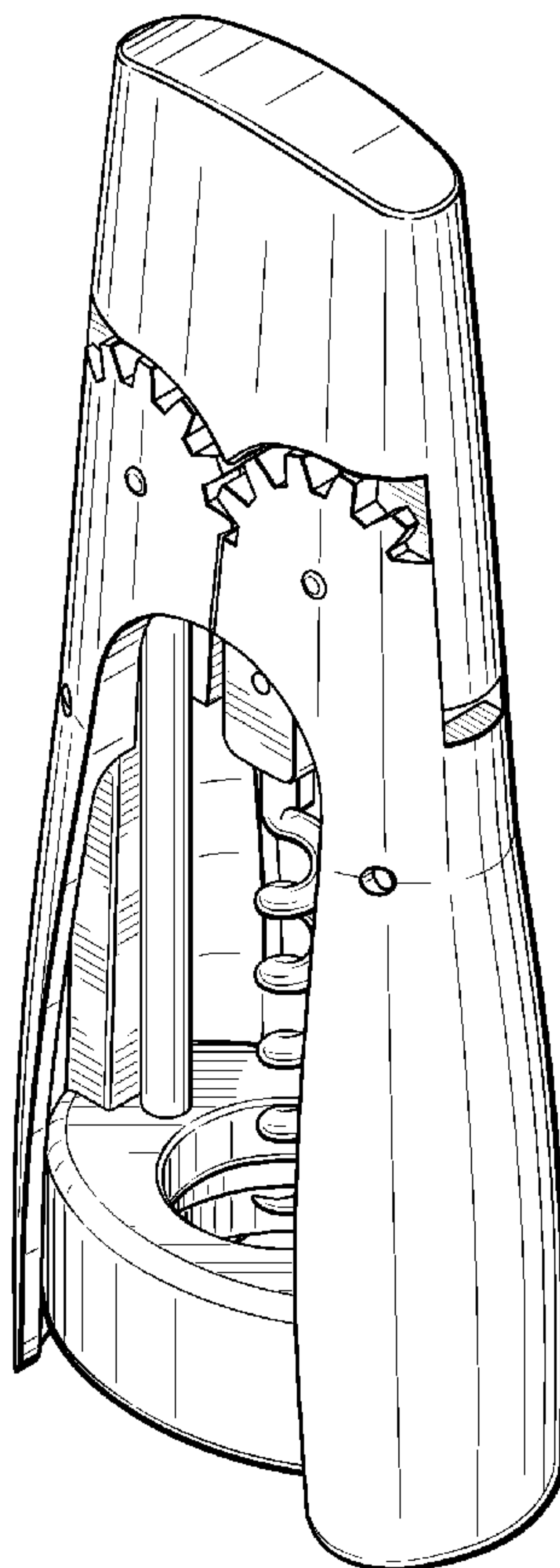
(57) **CLAIM**

The ornamental design for a corkscrew, as shown and described.

DESCRIPTION

FIG. 1 is a front perspective view of a corkscrew showing our new design;
FIG. 2 is a front elevational view thereof;
FIG. 3 is a left side elevational view thereof, the right side being a mirror image thereof;
FIG. 4 is a rear elevational view thereof;
FIG. 5 is a top plan view thereof;
FIG. 6 is a bottom plan view thereof; and,
FIG. 7 is a cross-sectional view thereof, taken along line 7—7 of FIG. 5, for reference and to facilitate an understanding of the features shown in other figures.

1 Claim, 4 Drawing Sheets



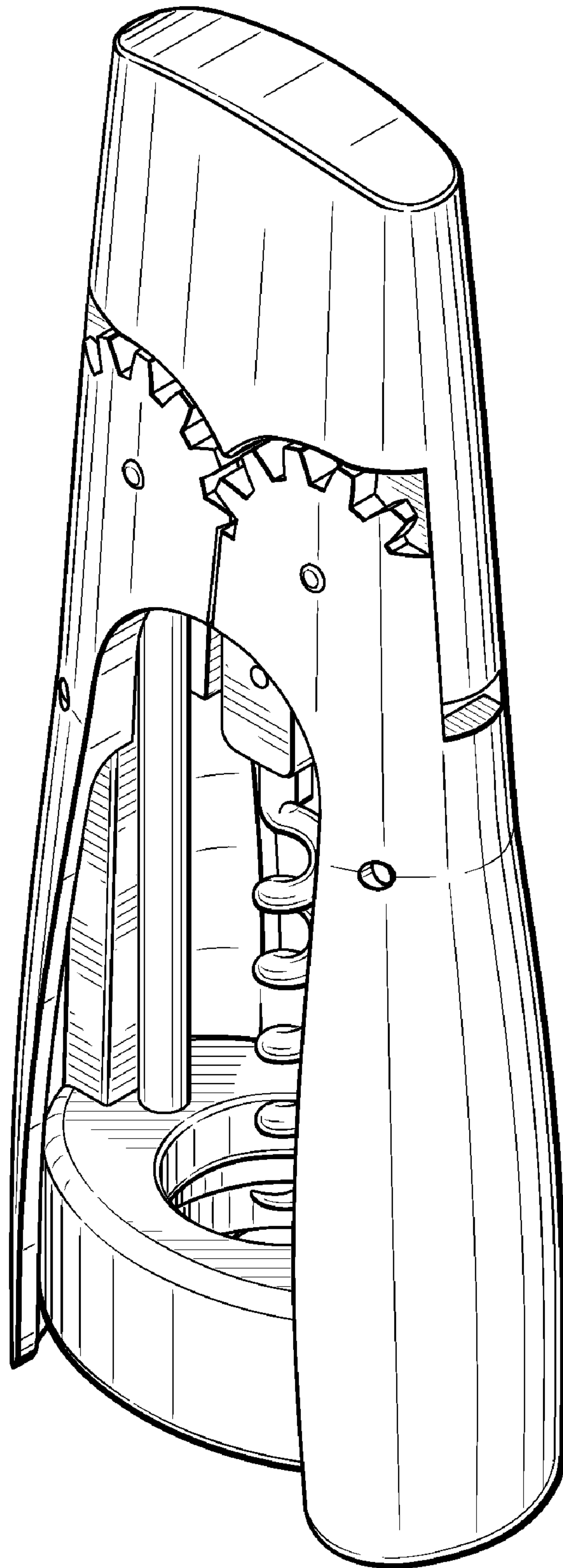


FIG. 1

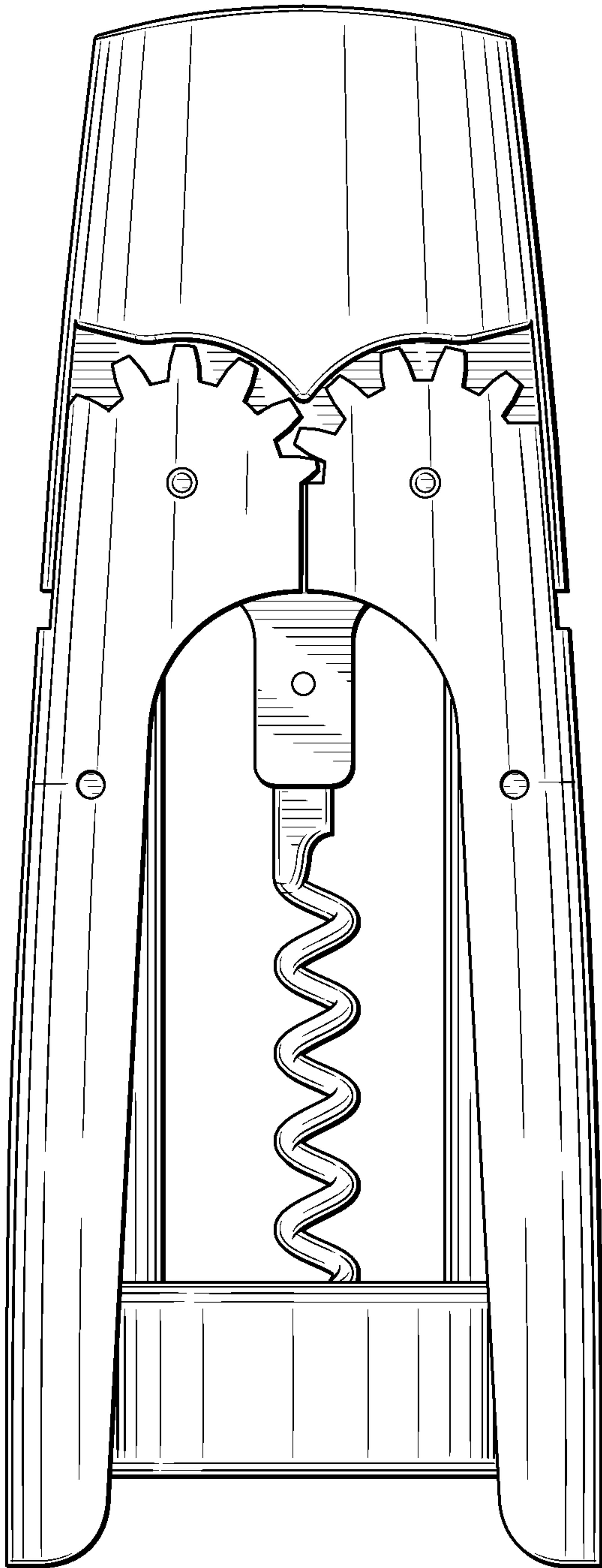


FIG. 2

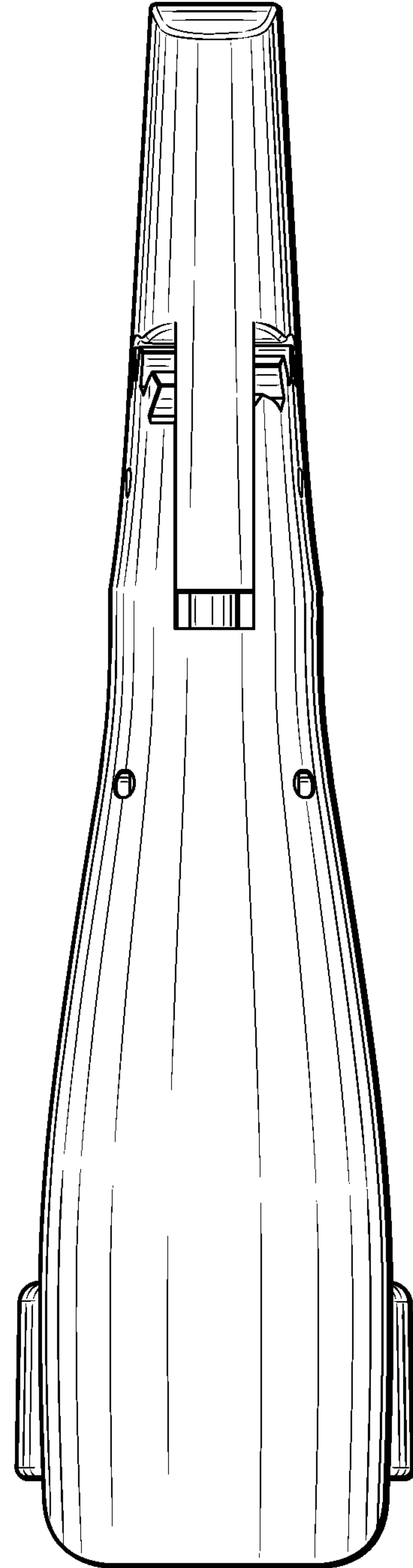


FIG. 3

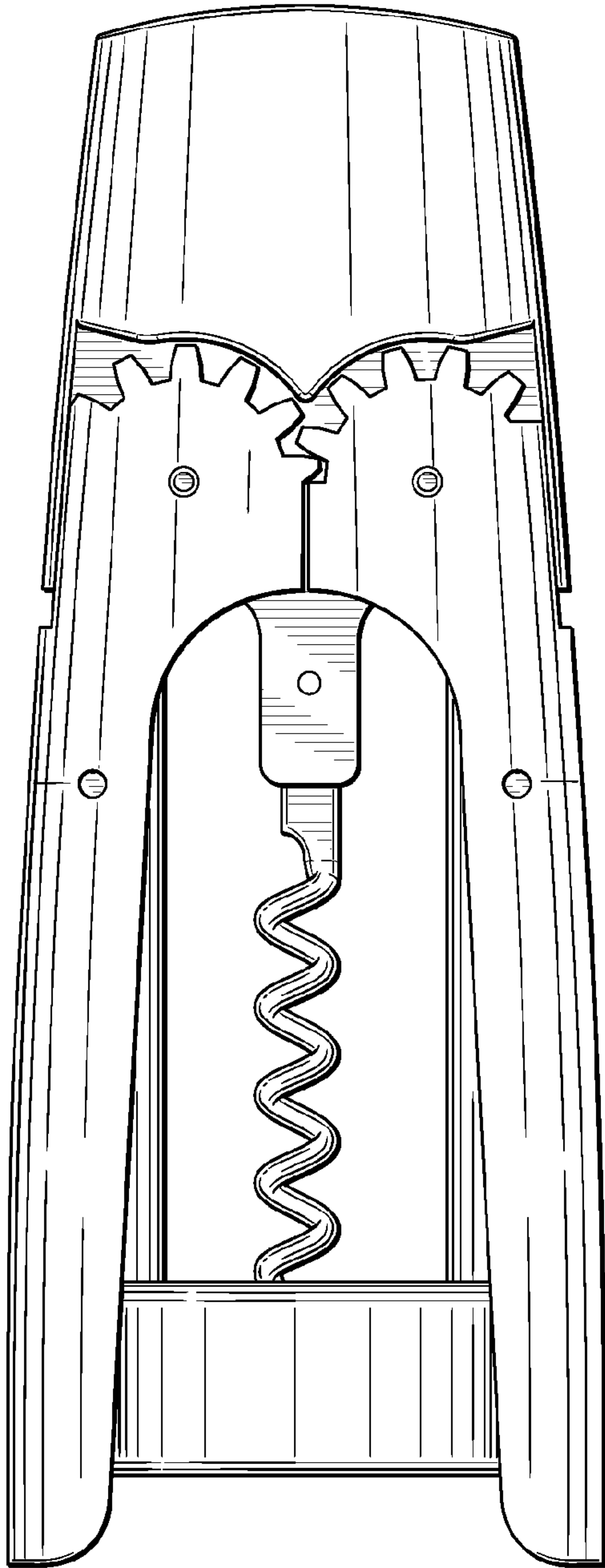


FIG. 4

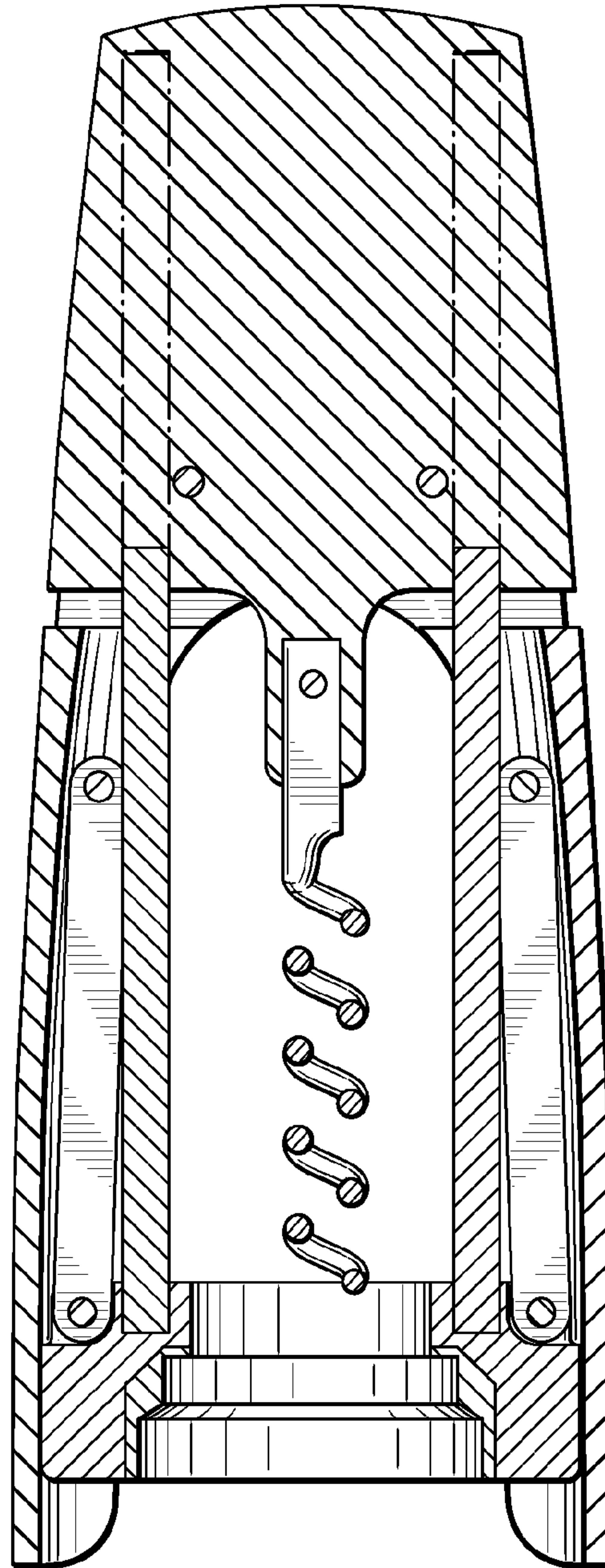


FIG. 7

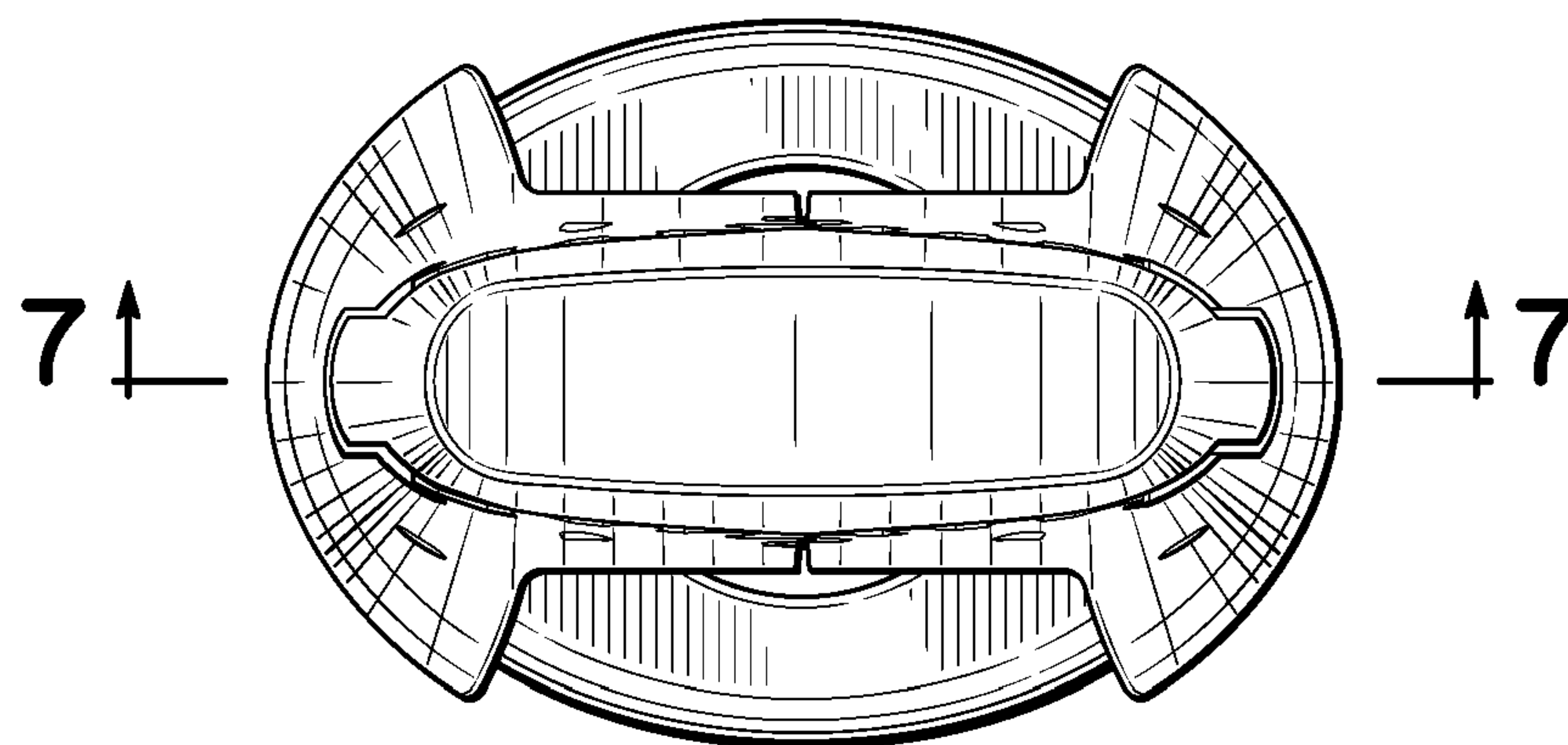


FIG. 5

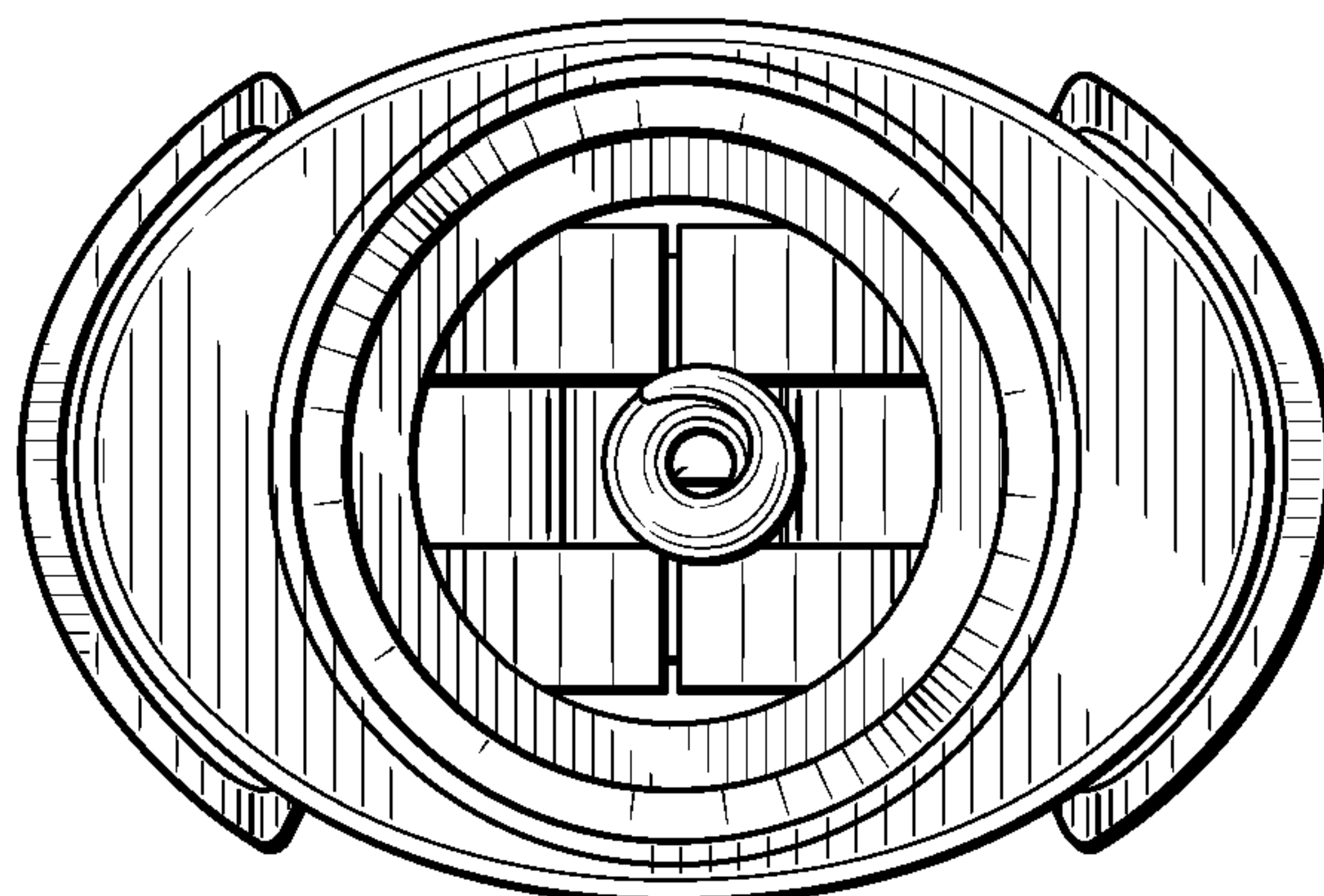


FIG. 6